



US00D808388S

(12) **United States Design Patent** (10) **Patent No.:** **US D808,388 S**  
**Kacin et al.** (45) **Date of Patent:** **\*\* Jan. 23, 2018**

(54) **COMPUTING DEVICE**  
 (71) Applicant: **LARC Networks, Inc.**, Los Altos, CA (US)  
 (72) Inventors: **Martin Kacin**, Los Altos Hills, CA (US); **Steve Eckland**, Palo Alto, CA (US); **Robert Alexander Garrow, Jr.**, Los Altos Hills, CA (US); **Kirk Lynn Reistroffer**, Fremont, CA (US)  
 (73) Assignee: **LARC Networks, Inc.**, Los Altos, CA (US)  
 (\*\*) Term: **15 Years**

D277,042 S \* 1/1985 Carter ..... D3/272  
 D340,929 S \* 11/1993 Klimek ..... D14/210  
 5,802,194 A \* 9/1998 Yamagishi ..... H04R 5/02  
 181/144  
 D458,911 S \* 6/2002 Kataoka ..... D14/129  
 D460,437 S \* 7/2002 Lancaster ..... D14/214  
 D460,451 S \* 7/2002 Andre ..... D14/356  
 D461,187 S \* 8/2002 Andre ..... D14/356  
 D461,804 S \* 8/2002 Carey ..... D14/356  
 D507,259 S \* 7/2005 Taylor ..... D14/214  
 D508,491 S \* 8/2005 Choi ..... D14/356  
 D526,648 S \* 8/2006 Andre ..... D14/314  
 D533,553 S \* 12/2006 Xu ..... D14/349  
 D587,239 S \* 2/2009 Raisanen ..... D14/188  
 D592,642 S \* 5/2009 Andrews ..... D14/212  
 D598,906 S \* 8/2009 Chiba ..... D14/240

(Continued)

(21) Appl. No.: **29/576,339**  
 (22) Filed: **Sep. 1, 2016**  
 (51) **LOC (11) Cl.** ..... **14-02**  
 (52) **U.S. Cl.**  
 USPC ..... **D14/356; D14/308**  
 (58) **Field of Classification Search**  
 USPC ..... D14/356-358, 361, 362, 365, 367, 370, D14/388, 432, 496, 125, 140, 142, 155, D14/168, 240, 243, 299, 188, 300, 301, D14/302, 308, 314, 330, 348, 349, 363, D14/364, 204, 210, 214, 215, 221; D13/103, 107, 108, 123, 152, 158, 159, D13/162.1, 182, 199, 110, 151, 162, 184; D9/414, 430, 432; D3/273  
 CPC ... G06F 1/00; G06F 1/16; G06F 1/181; G06F 1/183; G06F 1/184; G06F 1/187; G06F 1/1688; G06F 17/30026; H05K 5/00; H05K 7/00; H05K 7/14; H05K 7/1425; H05K 7/1427; H05K 7/1431; H05K 7/1488; H05K 7/16  
 See application file for complete search history.

*Primary Examiner* — Susan Bennett Hattan  
*Assistant Examiner* — Marie D. Fast Horse  
 (74) *Attorney, Agent, or Firm* — Fenwick & West LLP

(57) **CLAIM**

We claim the ornamental design for a computing device, as shown and described.

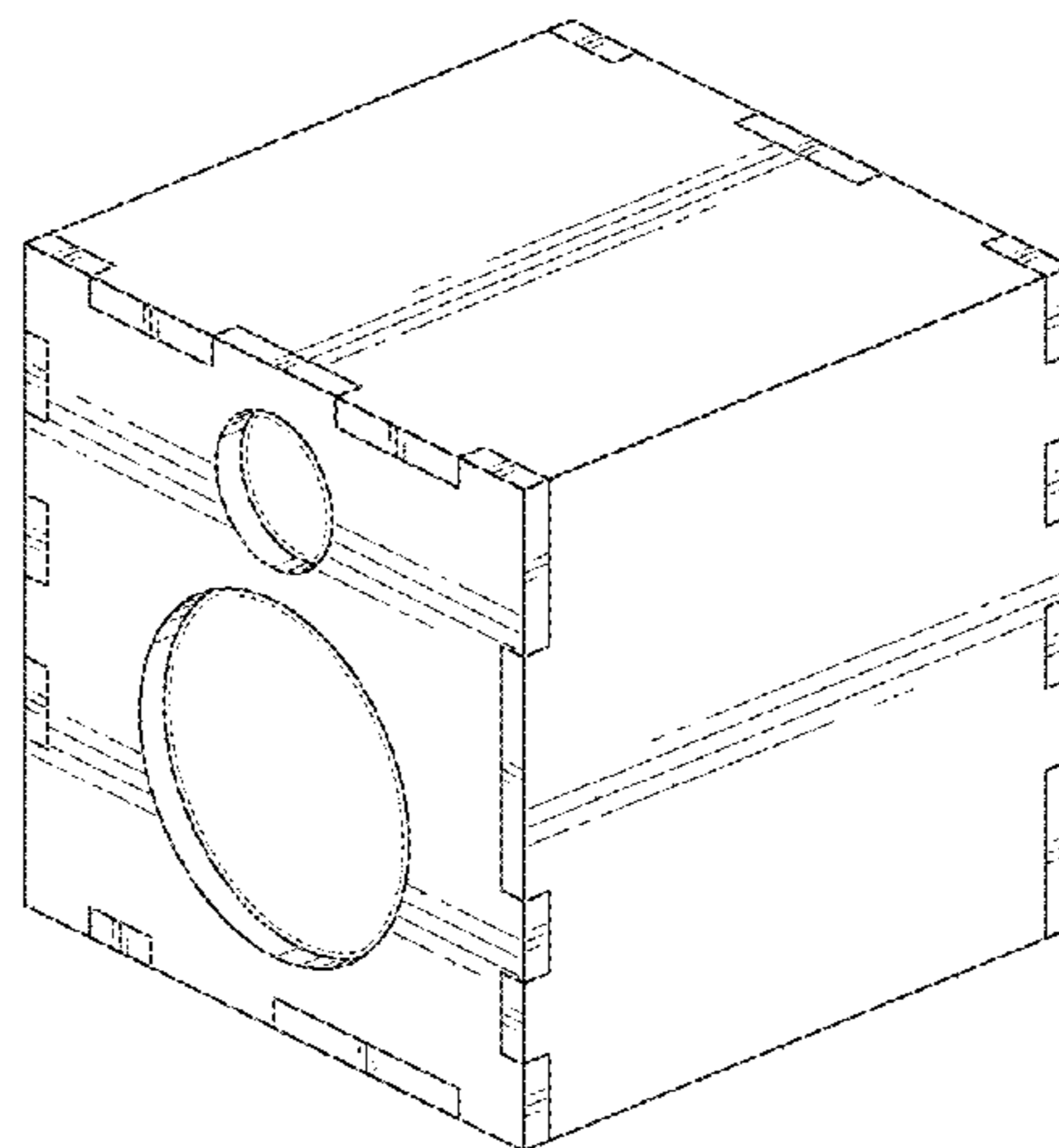
**DESCRIPTION**

FIG. 1 is a top, front, and right side perspective view of a computing device;  
 FIG. 2 is a top, rear, and left side perspective view thereof;  
 FIG. 3 is a front view thereof;  
 FIG. 4 is a rear view thereof;  
 FIG. 5 is a left side view thereof;  
 FIG. 6 is a right side view thereof;  
 FIG. 7 is a top view thereof; and,  
 FIG. 8 is a bottom view thereof.  
 The broken lines in the drawings depict portions of the computing device that form no part of the claimed design.

(56) **References Cited**  
 U.S. PATENT DOCUMENTS

D219,105 S \* 11/1970 Tominaga ..... D14/214  
 D231,660 S \* 5/1974 Ishukawa ..... D14/214

**1 Claim, 8 Drawing Sheets**



(56)

## References Cited

## U.S. PATENT DOCUMENTS

D611,406	S	*	3/2010	Oikawa	.....	D13/102
D618,232	S	*	6/2010	O'Neil	.....	D14/314
D638,424	S	*	5/2011	Brandis	.....	D14/358
D648,186	S	*	11/2011	Pourian	.....	D19/67
D650,377	S	*	12/2011	Akana	.....	D14/314
D660,834	S	*	5/2012	Akana	.....	D14/314
D664,122	S	*	7/2012	Cho	.....	D14/215
D678,245	S	*	3/2013	Davies	.....	D14/215
D680,097	S	*	4/2013	Davies	.....	D14/204
D693,794	S	*	11/2013	Nauroy	.....	D14/214
D718,736	S	*	12/2014	Thompson	.....	D14/168
D720,347	S	*	12/2014	Lo	.....	D14/348
D722,099	S	*	2/2015	Lee	.....	D16/225
D725,075	S	*	3/2015	Wong	.....	D14/215
D729,759	S	*	5/2015	Filo	.....	D14/155
D745,384	S	*	12/2015	Park	.....	D9/414
D748,495	S	*	2/2016	Young	.....	D9/432
D754,101	S	*	4/2016	McManigal	.....	D14/214
D761,230	S	*	7/2016	Si	.....	D14/214
D763,818	S	*	8/2016	Yang	.....	D14/204
D763,825	S	*	8/2016	Zamir	.....	D14/215
D769,941	S	*	10/2016	Srivatsan	.....	D14/496
D771,383	S	*	11/2016	Vincent	.....	D3/310
D772,221	S	*	11/2016	Kacin	.....	D14/308
D772,222	S	*	11/2016	Kacin	.....	D14/308
D772,223	S	*	11/2016	Kacin	.....	D14/308
D772,224	S	*	11/2016	Kacin	.....	D14/308
D778,986	S	*	2/2017	Kacin	.....	D19/77
D785,365	S	*	5/2017	Newlin	.....	D6/526
2010/0054521	A1	*	3/2010	Hung	.....	G06F 1/1616 381/386
2015/0271937	A1	*	9/2015	Zheng	.....	G06F 1/181 312/293.2
2016/0066474	A1	*	3/2016	Fu	.....	G06F 1/206 165/287

\* cited by examiner

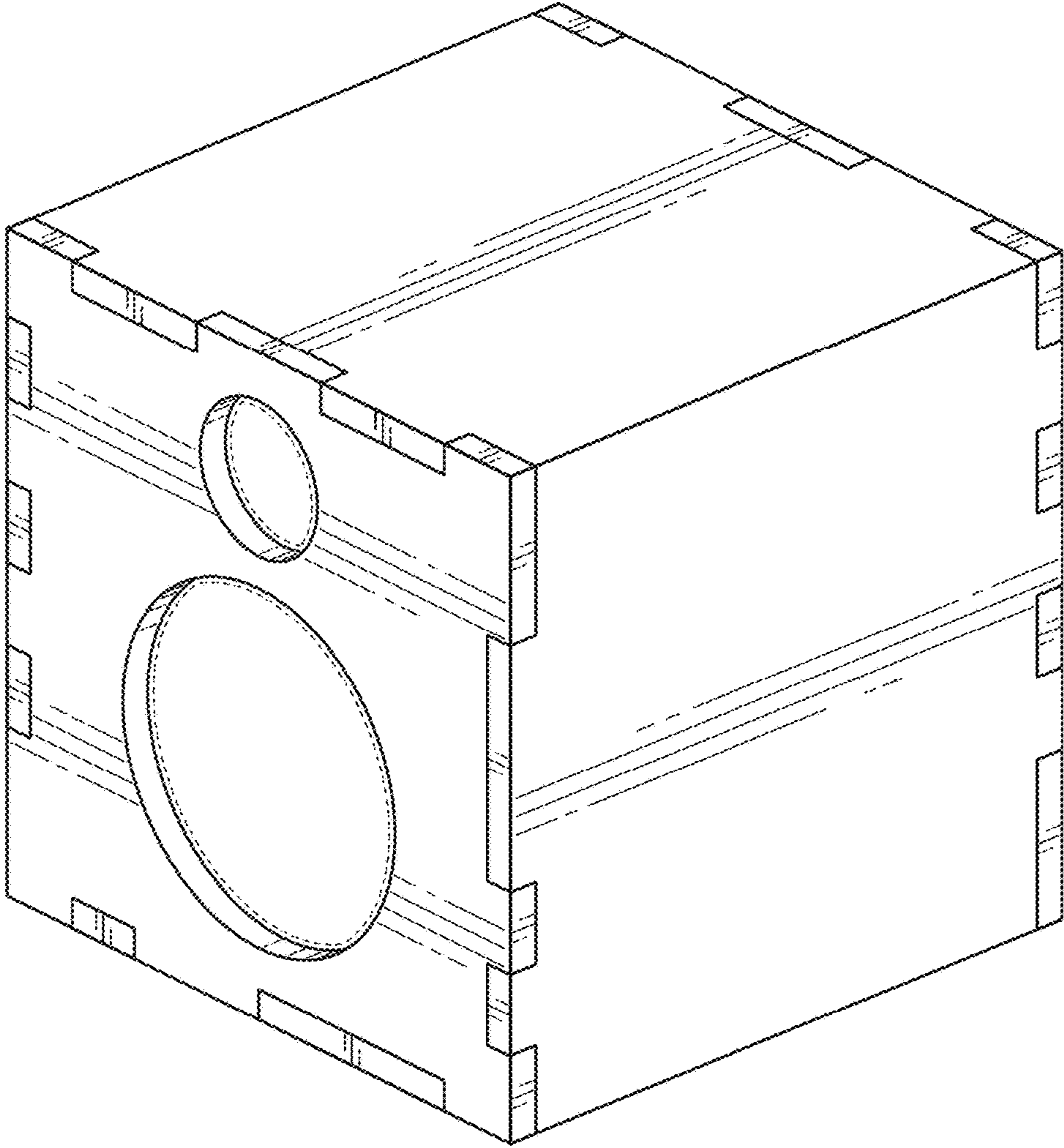


FIG. 1

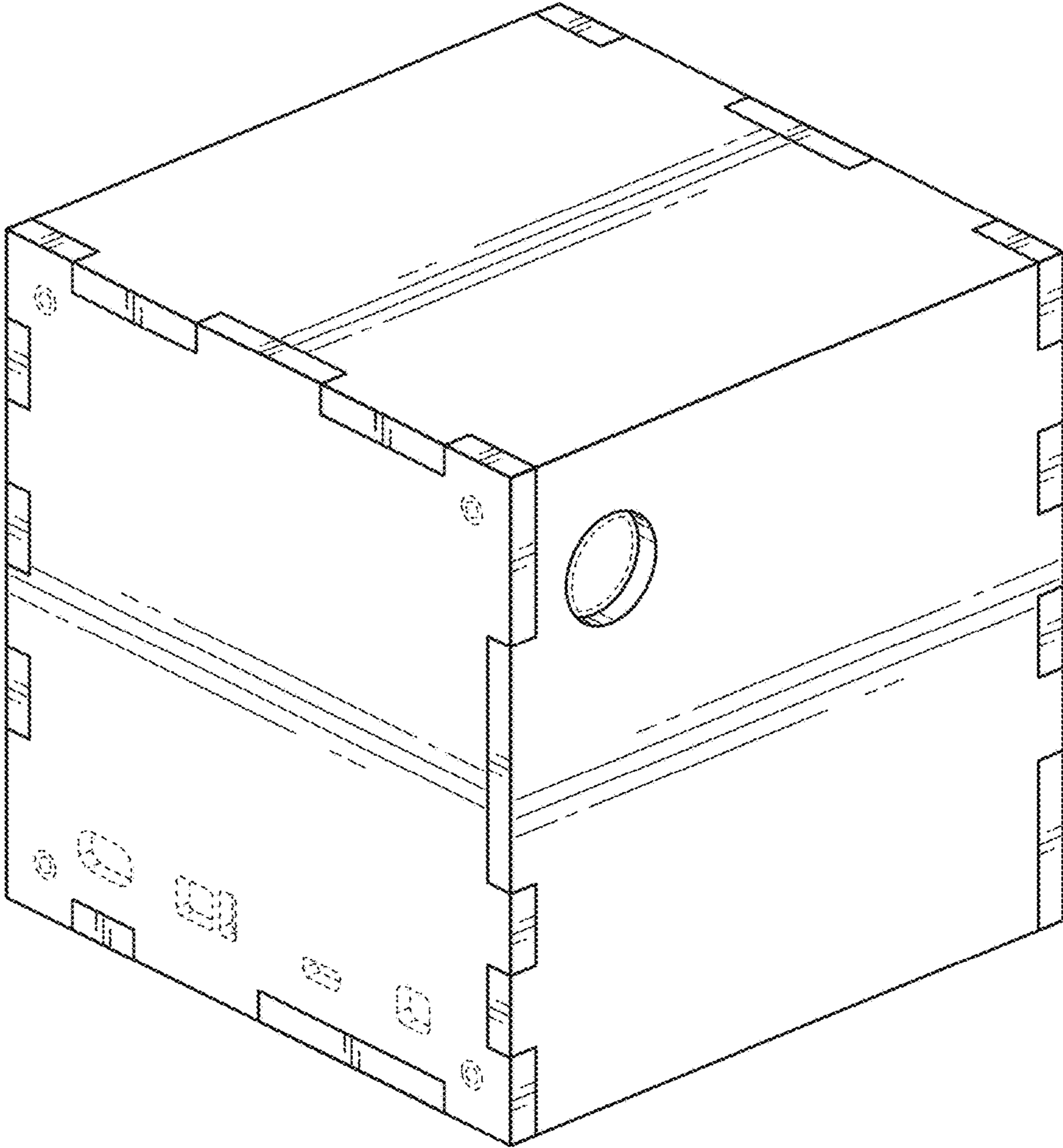


FIG. 2



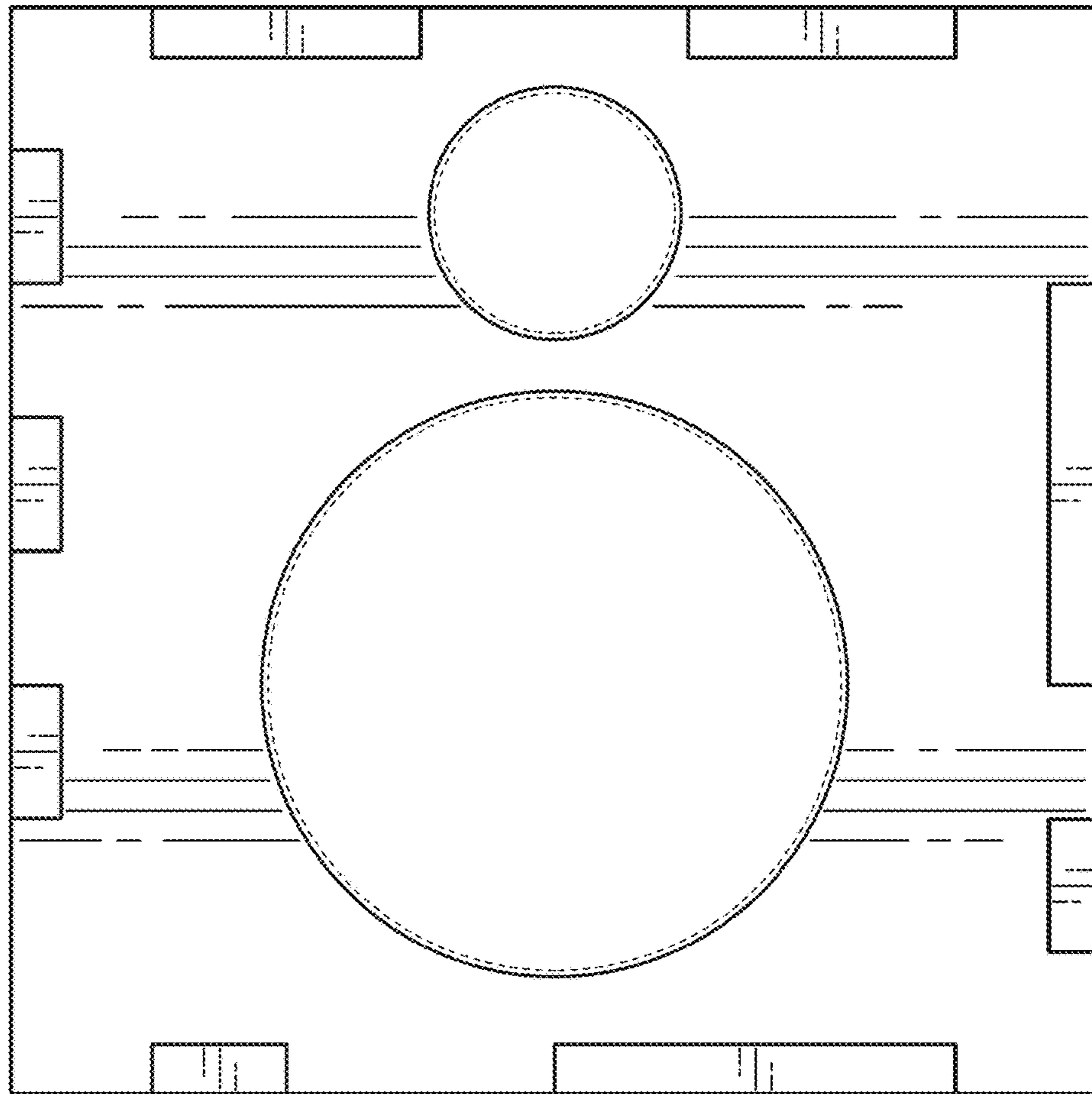


FIG. 3

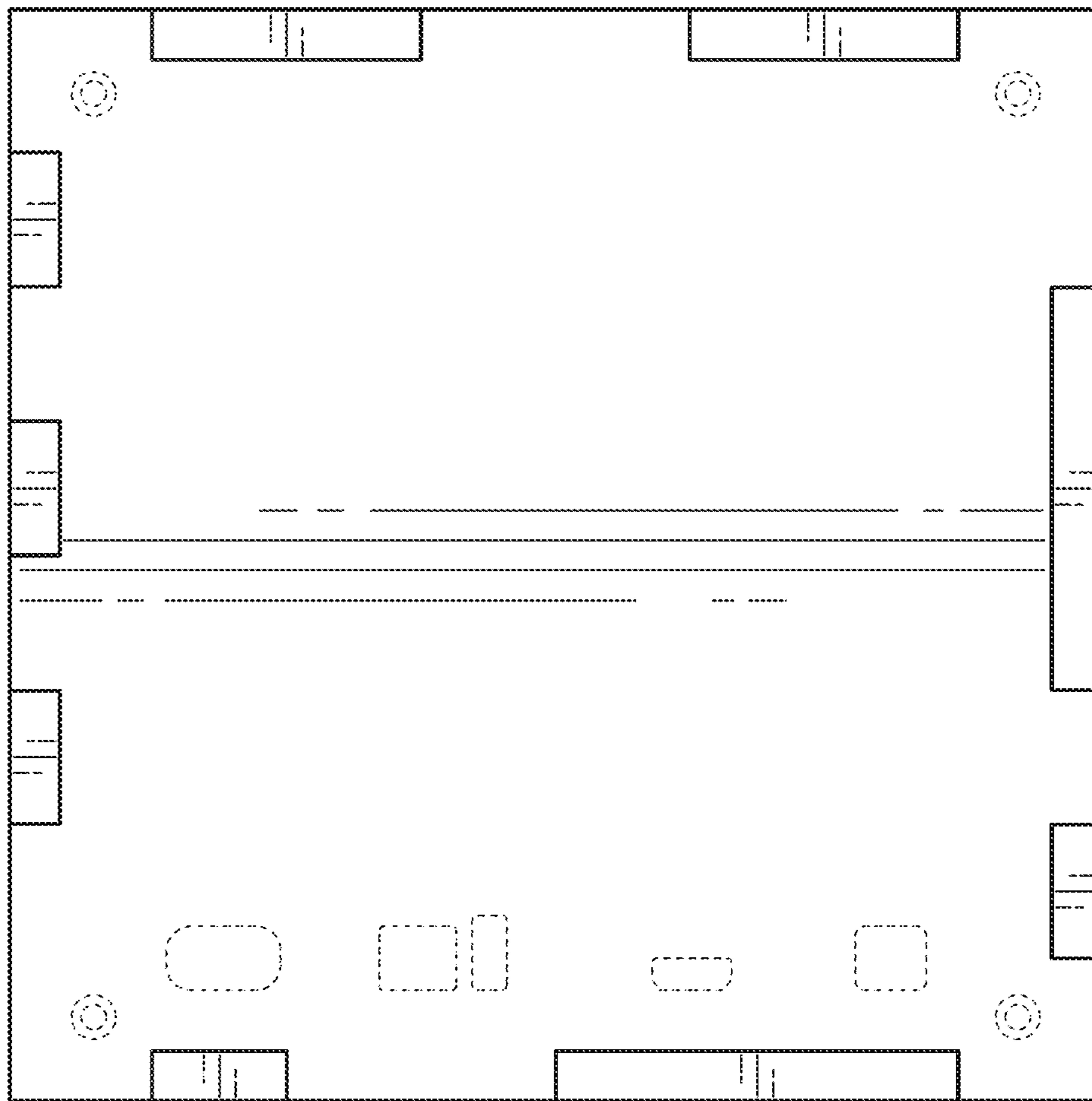


FIG. 4

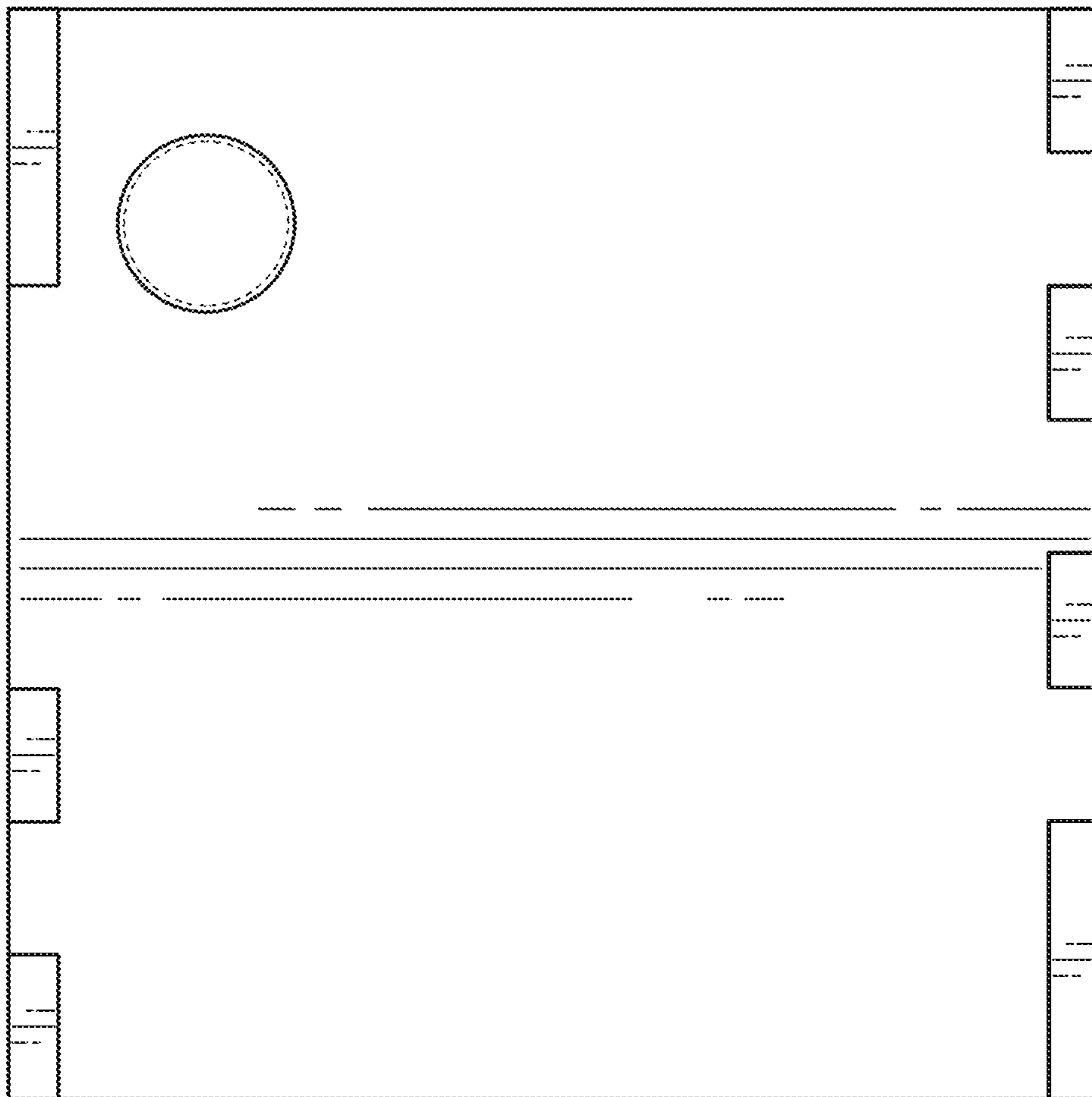


FIG. 5

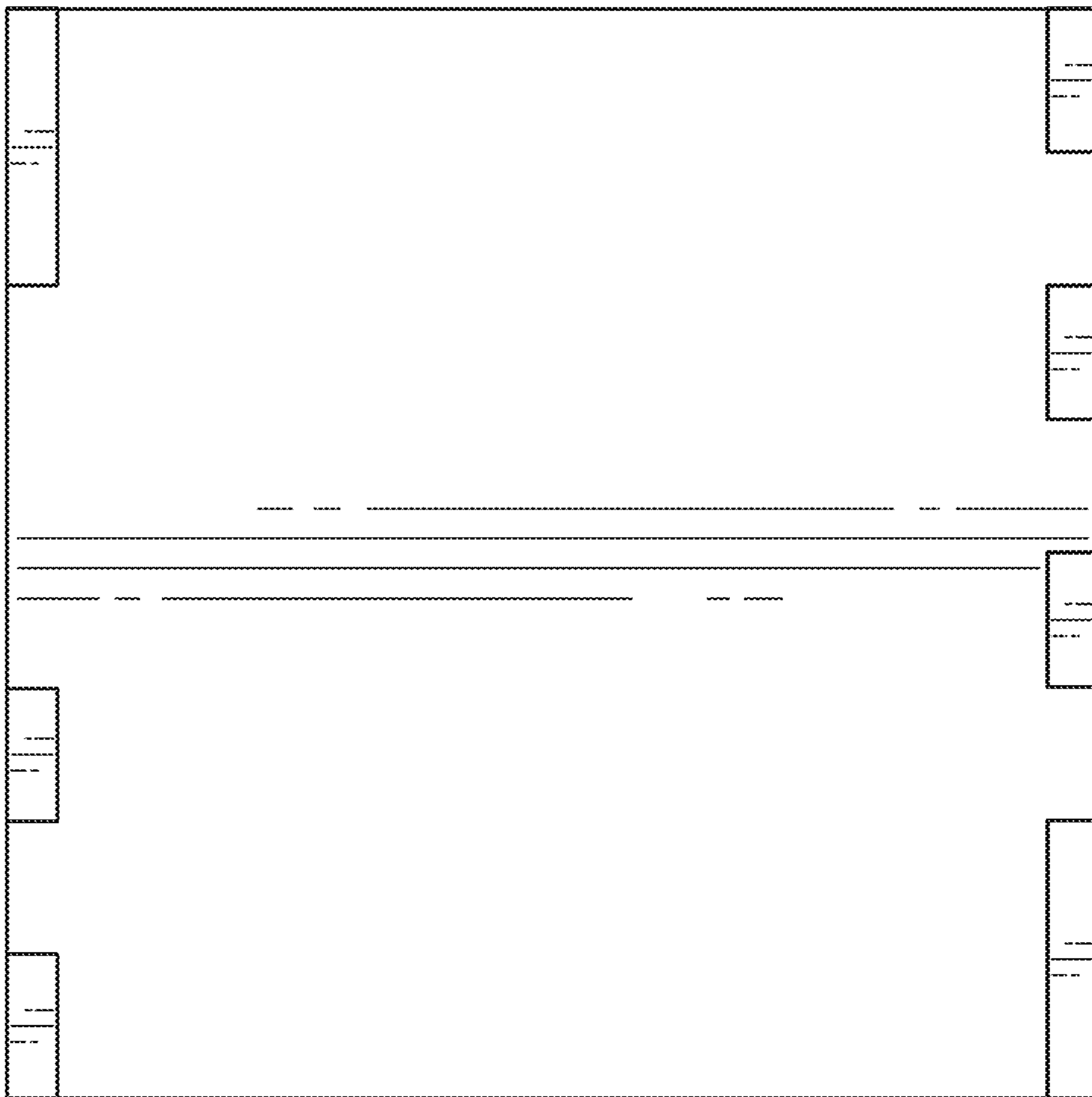


FIG. 6



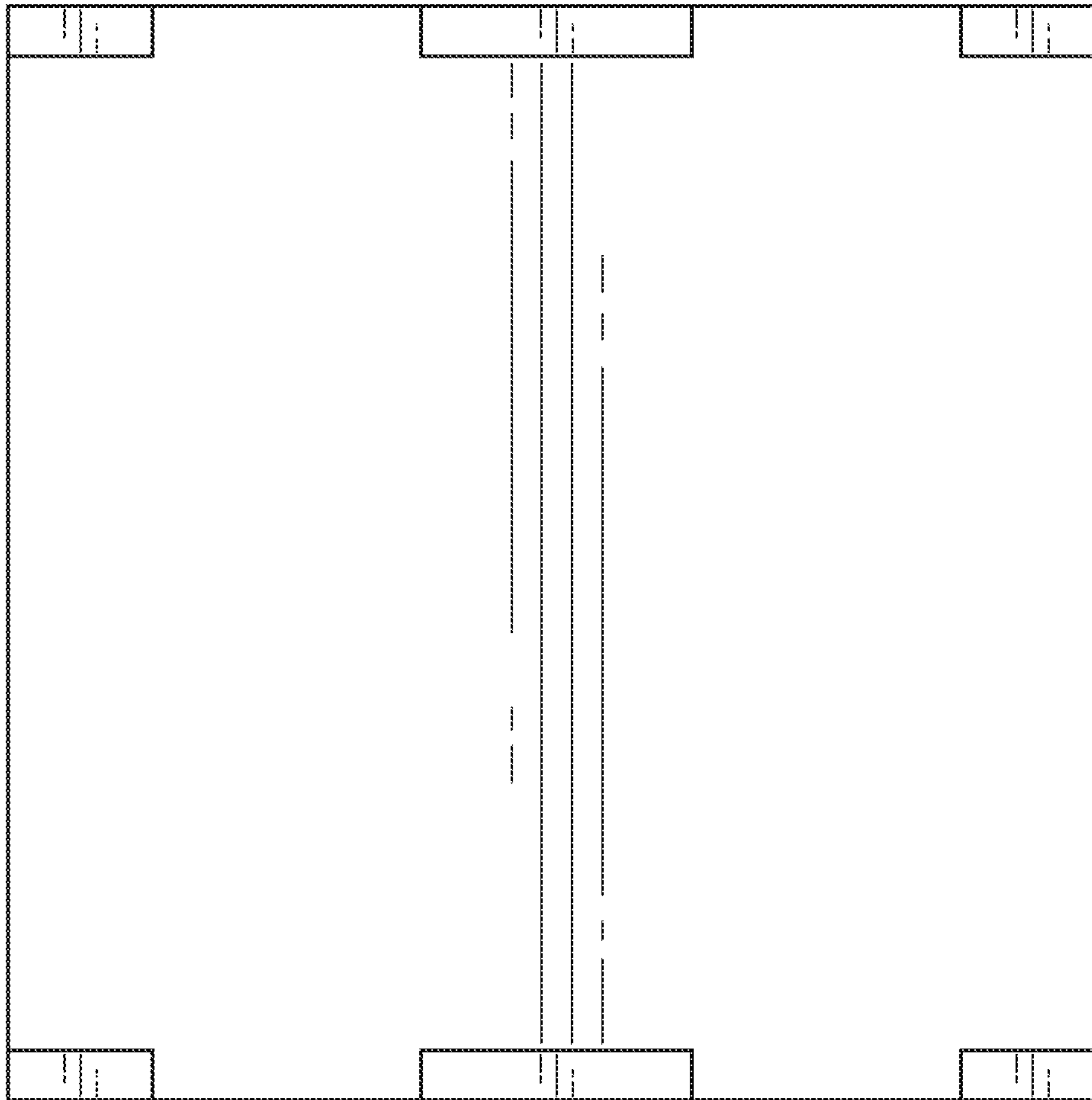


FIG. 7

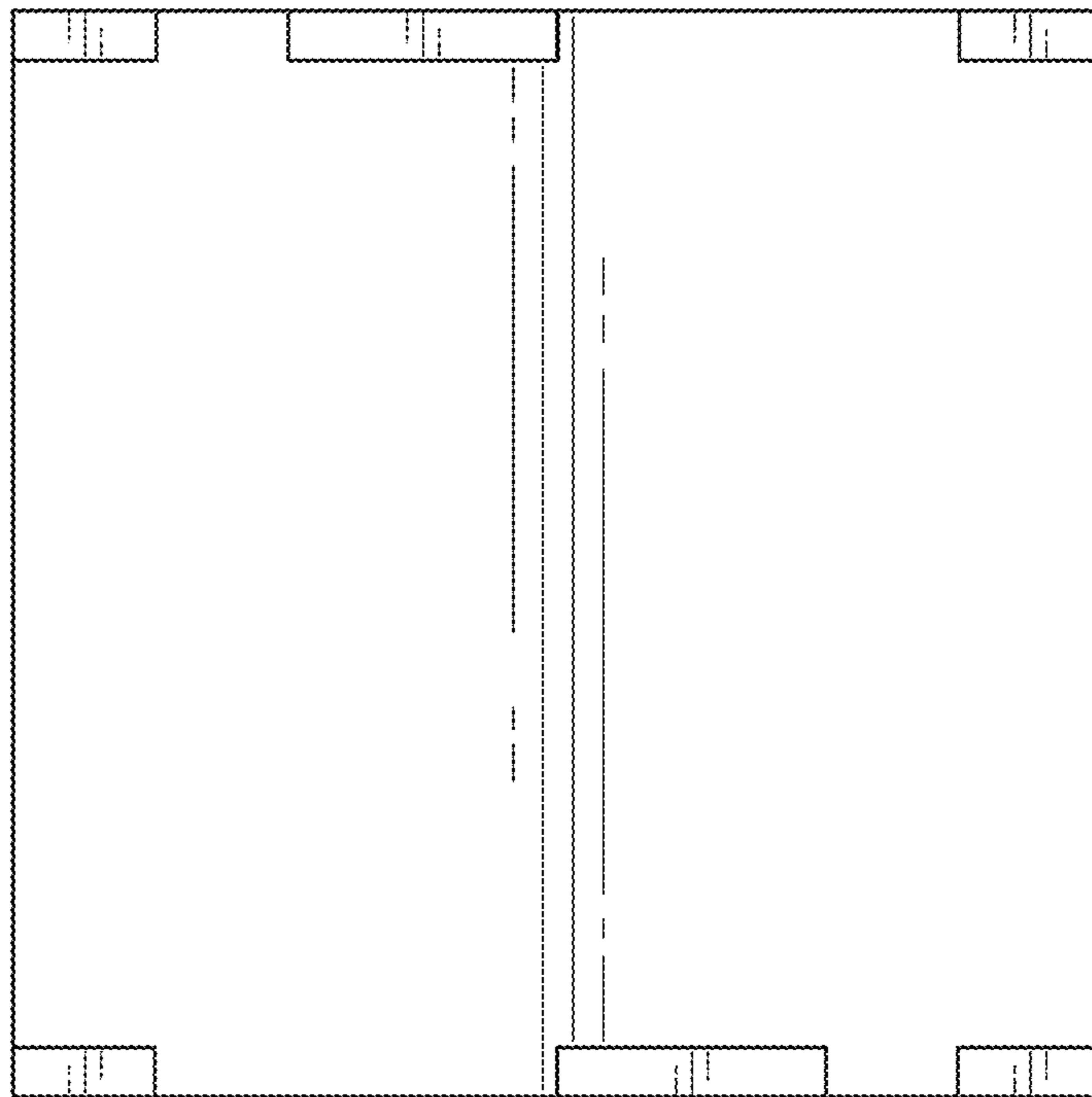


FIG. 8