



US00D808387S

(12) **United States Design Patent**  
**Ootori**

(10) **Patent No.:** **US D808,387 S**  
(45) **Date of Patent:** **\*\* Jan. 23, 2018**

(54) **ARITHMETIC AND CONTROL UNIT**  
(71) Applicant: **SONY INTERACTIVE ENTERTAINMENT INC.**, Tokyo (JP)  
(72) Inventor: **Yasuhiro Ootori**, Tokyo (JP)  
(73) Assignee: **SONY INTERACTIVE ENTERTAINMENT INC.**, Tokyo (JP)

D318,655 S \* 7/1991 Bowker ..... D14/356  
D349,520 S \* 8/1994 Iwakami ..... D21/332  
D362,869 S \* 10/1995 Oikawa ..... D21/332  
D362,870 S \* 10/1995 Oikawa ..... D21/332  
D363,744 S \* 10/1995 Hama ..... D21/331  
D367,895 S \* 3/1996 Goto ..... D21/332  
D383,800 S \* 9/1997 Ishizaki ..... D21/332  
D412,940 S \* 8/1999 Kato ..... D14/357  
D431,557 S \* 10/2000 Lutz, Jr. .... D14/242  
D434,455 S \* 11/2000 Iino ..... D14/135

(\*\*) Term: **15 Years**

(Continued)

(21) Appl. No.: **29/566,470**

**OTHER PUBLICATIONS**

(22) Filed: **May 31, 2016**

Arithmetic and Control Units. (Design—© Questel). orbit.com. [online PDF] 30 pgs. Print Dates range Sep. 1, 1999 through Jun. 22, 2017 [retrieved on Sep. 19, 2017] <https://sobjprd.questel.fr/export/QPTUJ214/pdf2/16c35466-7840-40fe-8fcd-e7adad078a9b-183142.pdf>.\*

(30) **Foreign Application Priority Data**

Dec. 2, 2015 (JP) ..... 2015-026952

(51) **LOC (11) Cl.** ..... **14-02**

(52) **U.S. Cl.**  
USPC ..... **D14/356**; D21/332; D14/496

(58) **Field of Classification Search**

USPC ..... D14/356, 357, 358, 300, 302, 314, 349, D14/496, 498, 499, 500, 502, 125, 162, D14/168, 240, 242, 243, 299, 361, 362, D14/363, 365, 367; D21/324-333; D13/123, 158, 159, 162, 162.1, 163, 184, D13/199  
CPC . G09G 5/00; G06G 3/00; G11B 33/02; G11B 33/022; G11B 33/027; G11B 33/04; G02B 6/0001; G06F 1/16; G06F 19/00; G07F 17/32; A63F 13/02; A63F 13/12; A63F 9/02; A63F 9/24; A63F 11/00; A63F 71/00; H05K 5/00; H05K 5/0013; H05K 5/0026; H05K 7/00; H04N 5/50; H04N 5/64

See application file for complete search history.

*Primary Examiner* — Susan Bennett Hattan  
*Assistant Examiner* — Marie D. Fast Horse  
(74) *Attorney, Agent, or Firm* — Young & Thompson

(56) **References Cited**

**U.S. PATENT DOCUMENTS**

D264,101 S \* 4/1982 Hanzawa ..... D21/324  
D311,740 S \* 10/1990 Wagner ..... D14/358

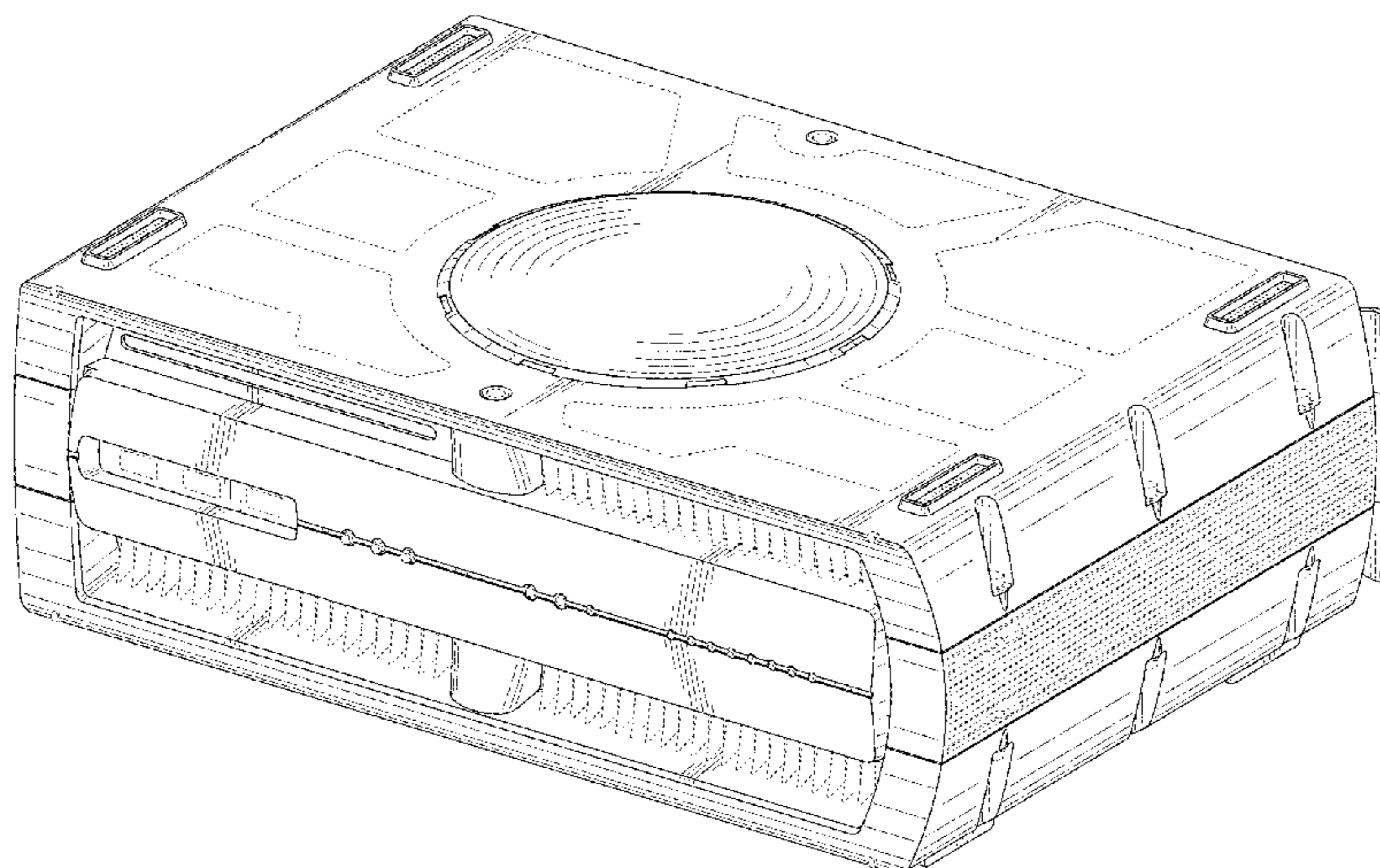
(57) **CLAIM**

The ornamental design for the arithmetic and control unit, as shown and described.

**DESCRIPTION**

FIG. 1 is a perspective view of front, top and right side of the arithmetic and control unit showing my new design; FIG. 2 is a perspective view of rear, bottom and left side thereof; FIG. 3 is a front view thereof; FIG. 4 is a rear view thereof; FIG. 5 is a left side view thereof; FIG. 6 is a right side view thereof; FIG. 7 is a top view thereof; and, FIG. 8 is a bottom view thereof. The portions of the article shown in broken lines form no part of the claimed design.

**1 Claim, 6 Drawing Sheets**



(56)

References Cited

U.S. PATENT DOCUMENTS

|                |         |             |                       |                   |         |            |                      |
|----------------|---------|-------------|-----------------------|-------------------|---------|------------|----------------------|
| D436,105 S *   | 1/2001  | Goto        | D14/356               | D553,118 S *      | 10/2007 | Williamson | D14/168              |
| D436,955 S *   | 1/2001  | Wilson, Sr. | D14/356               | D565,568 S *      | 4/2008  | Trifilio   | D14/356              |
| D436,957 S *   | 1/2001  | Goto        | D14/356               | D568,276 S *      | 5/2008  | Ikeda      | D14/365              |
| D437,320 S *   | 2/2001  | Goto        | D14/356               | D568,311 S *      | 5/2008  | Kutaragi   | D14/356              |
| D440,549 S *   | 4/2001  | Scorrano    | D14/168               | D585,055 S *      | 1/2009  | Sabag      | D14/300              |
| 6,213,879 B1 * | 4/2001  | Niizuma     | H04L 7/0008<br>341/50 | D602,891 S *      | 10/2009 | Luo        | D14/125              |
| D448,810 S *   | 10/2001 | Goto        | D21/324               | D611,926 S *      | 3/2010  | Lev        | D14/168              |
| D452,282 S *   | 12/2001 | Stewart     | D21/333               | D647,918 S *      | 11/2011 | Ledbetter  | D14/203.3            |
| D453,019 S *   | 1/2002  | Oba         | D14/348               | D658,234 S *      | 4/2012  | Mercier    | D21/324              |
| D454,552 S *   | 3/2002  | Nakane      | D14/168               | D680,174 S *      | 4/2013  | Mercier    | D21/332              |
| 6,386,980 B1 * | 5/2002  | Nishino     | A63F 13/10<br>463/40  | D680,594 S *      | 4/2013  | Mercier    | D21/330              |
| D469,418 S *   | 1/2003  | Hsu         | D14/142               | 8,523,646 B2 *    | 9/2013  | Morimoto   | A63F 13/10<br>463/20 |
| D483,809 S *   | 12/2003 | Lim         | D14/496               | D705,869 S *      | 5/2014  | Jacobs     | D14/496              |
| D500,324 S *   | 12/2004 | Hussaini    | D14/496               | D709,134 S *      | 7/2014  | Dallmeyer  | D21/332              |
| 7,008,322 B1 * | 3/2006  | Suzuki      | A63F 13/10<br>463/31  | D715,361 S *      | 10/2014 | Barinaga   | D21/332              |
| D520,000 S *   | 5/2006  | Weiher      | D14/356               | D717,874 S *      | 11/2014 | Barinaga   | D21/332              |
| D520,997 S *   | 5/2006  | Lee         | D14/356               | D720,347 S *      | 12/2014 | Lo         | D14/348              |
| D532,784 S *   | 11/2006 | Kutaragi    | D14/356               | D721,138 S *      | 1/2015  | Barinaga   | D21/332              |
| D534,166 S *   | 12/2006 | Kutaragi    | D14/356               | D722,116 S *      | 2/2015  | Gottschalk | D21/332              |
| D534,909 S *   | 1/2007  | Weiher      | D14/356               | D766,222 S *      | 9/2016  | Chen       | D14/240              |
| D534,910 S *   | 1/2007  | Weiher      | D14/356               | 2012/0322558 A1 * | 12/2012 | Tiley      | A63F 13/02<br>463/37 |
| D543,955 S *   | 6/2007  | Hayes       | D13/184               | 2013/0303281 A1 * | 11/2013 | Argiro     | A63F 13/02<br>463/31 |
|                |         |             |                       | 2016/0030835 A1 * | 2/2016  | Argiro     | A63F 13/02<br>463/33 |

\* cited by examiner



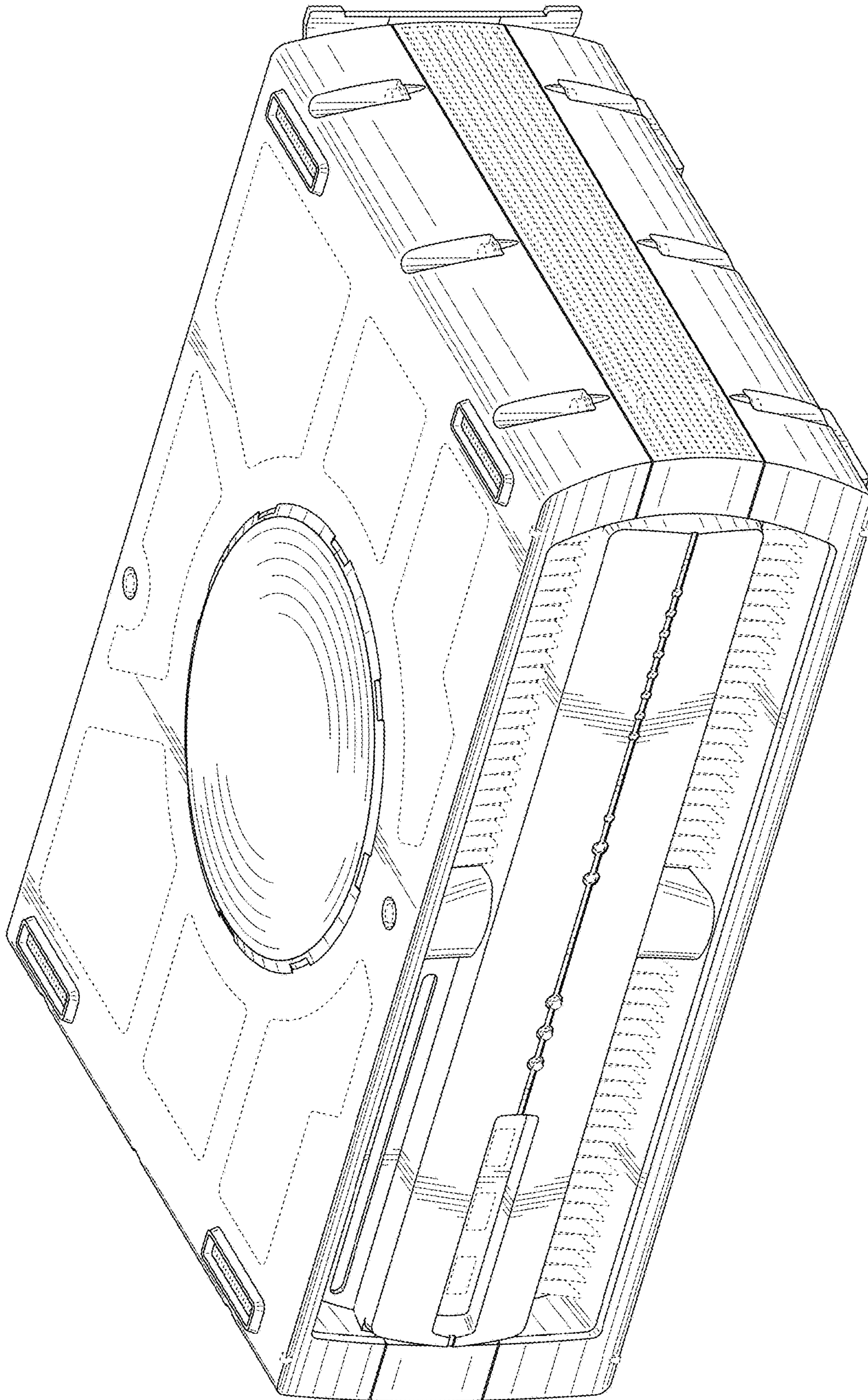


FIG. 1

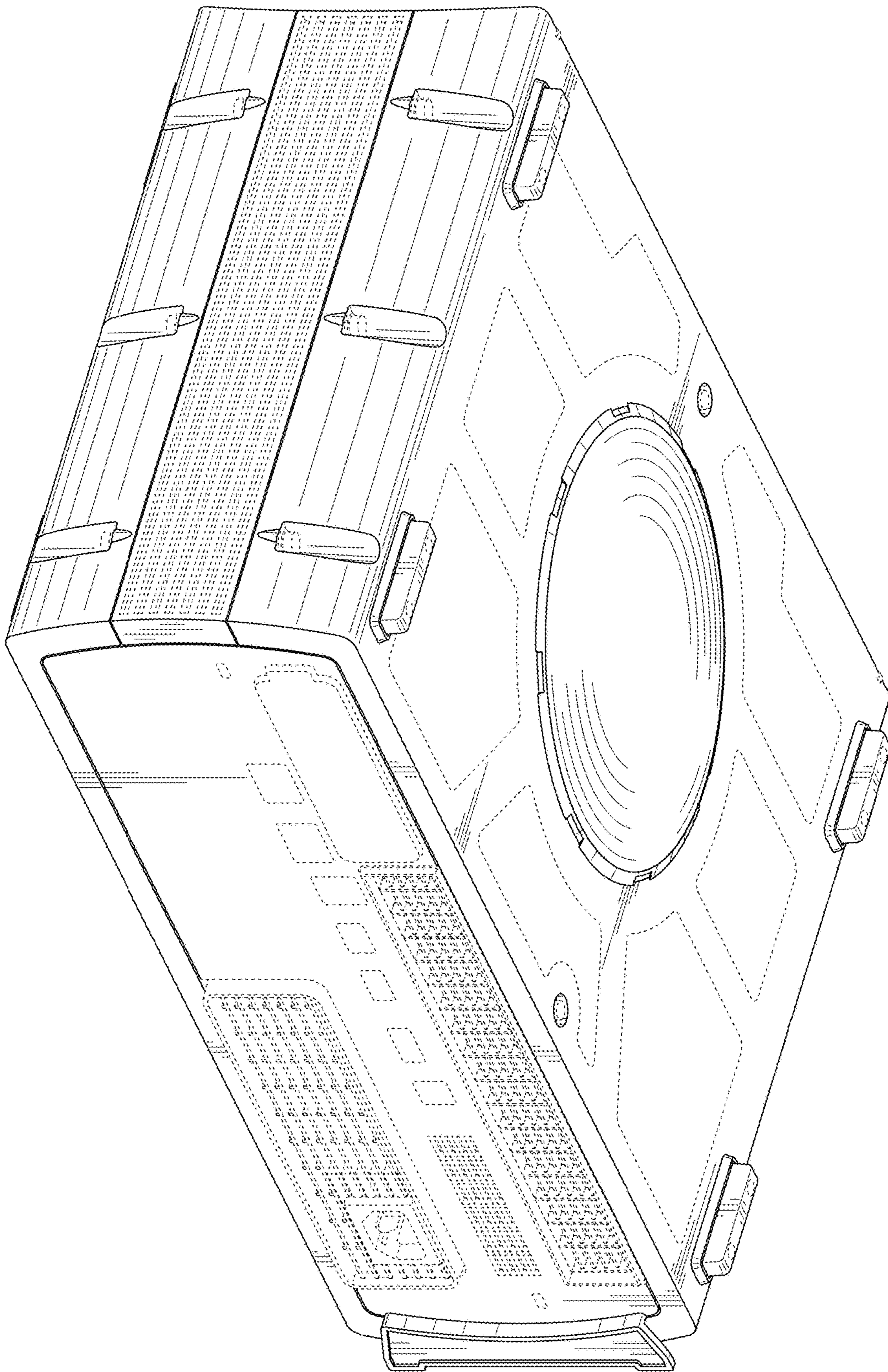


FIG. 2



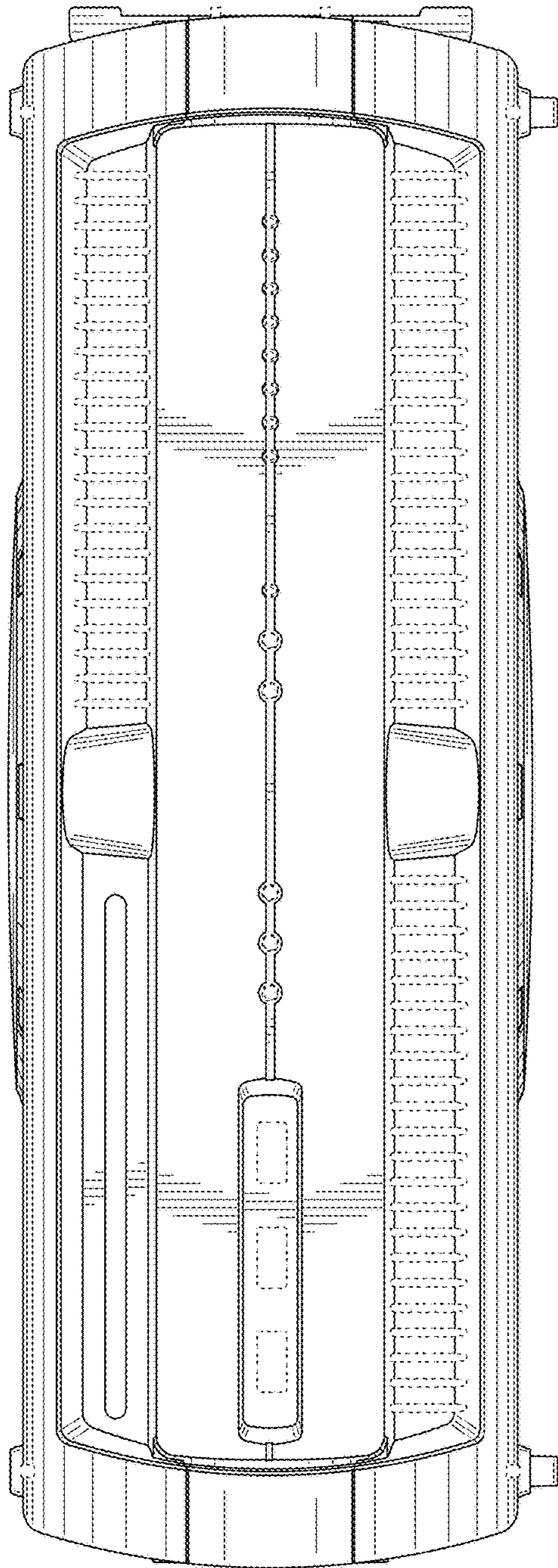


FIG. 3

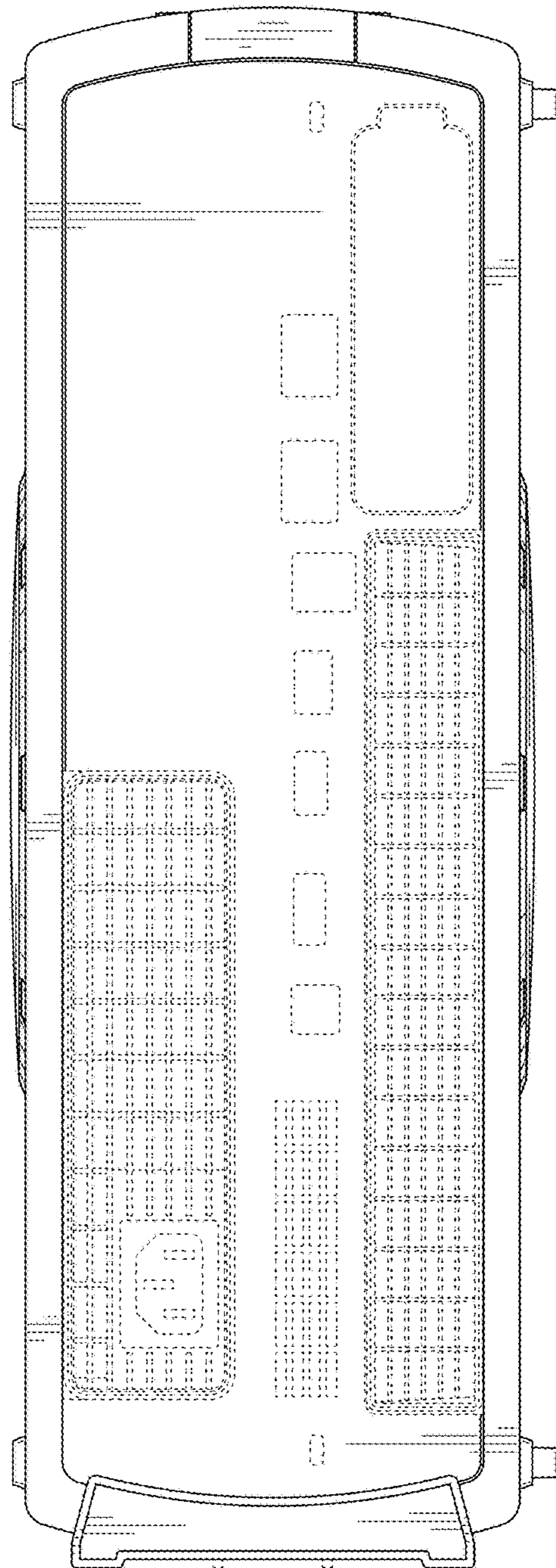


FIG. 4

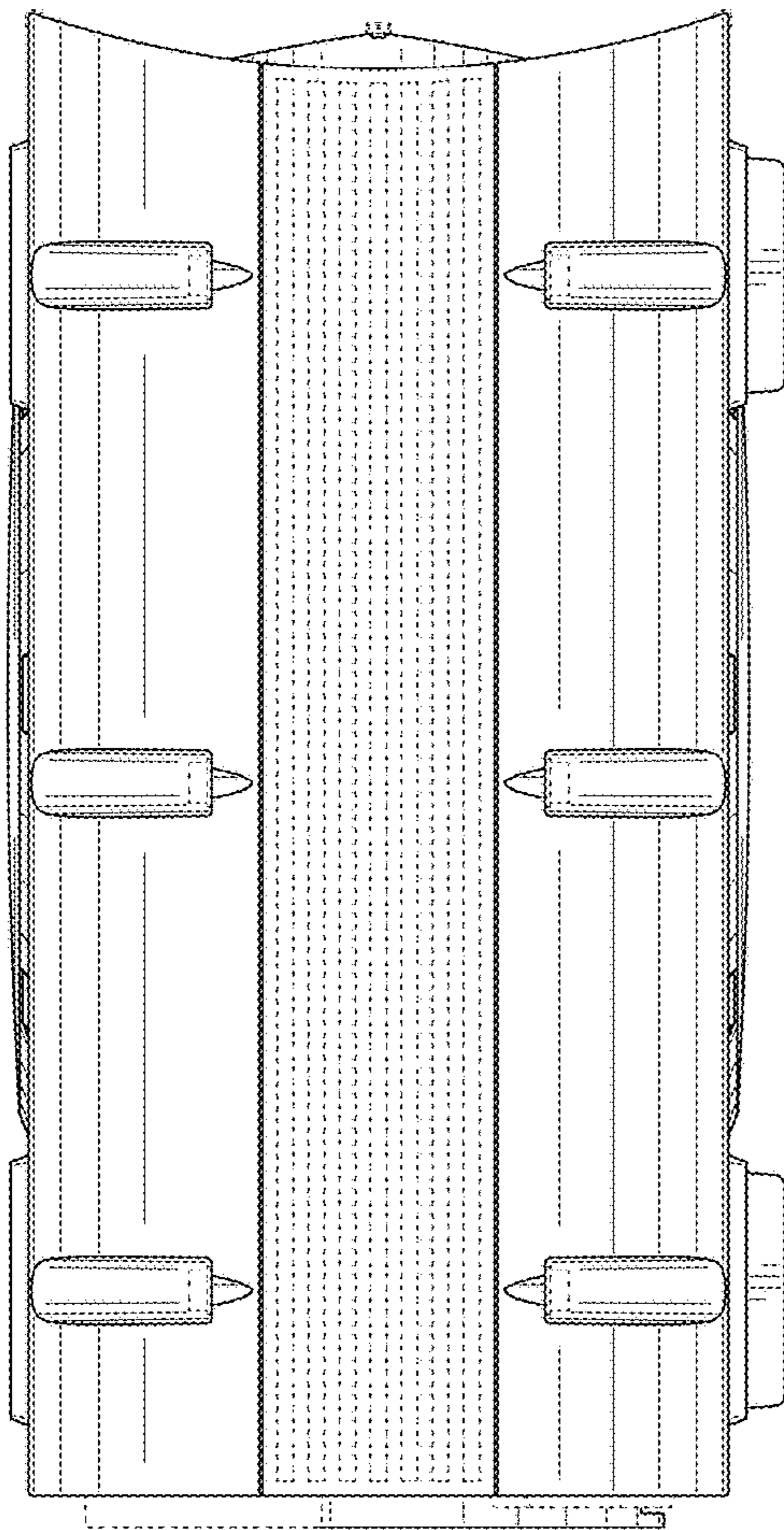


FIG. 5

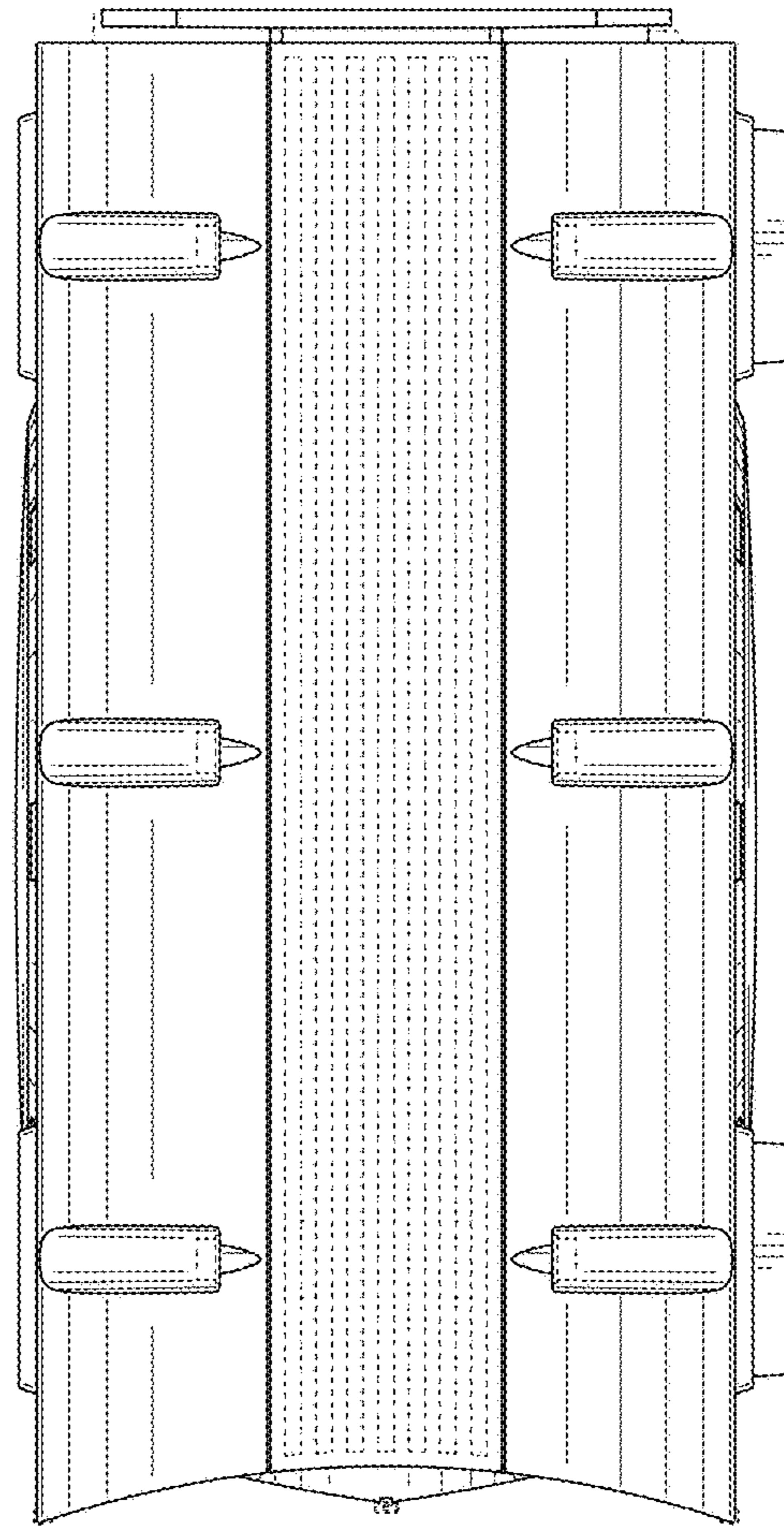


FIG. 6



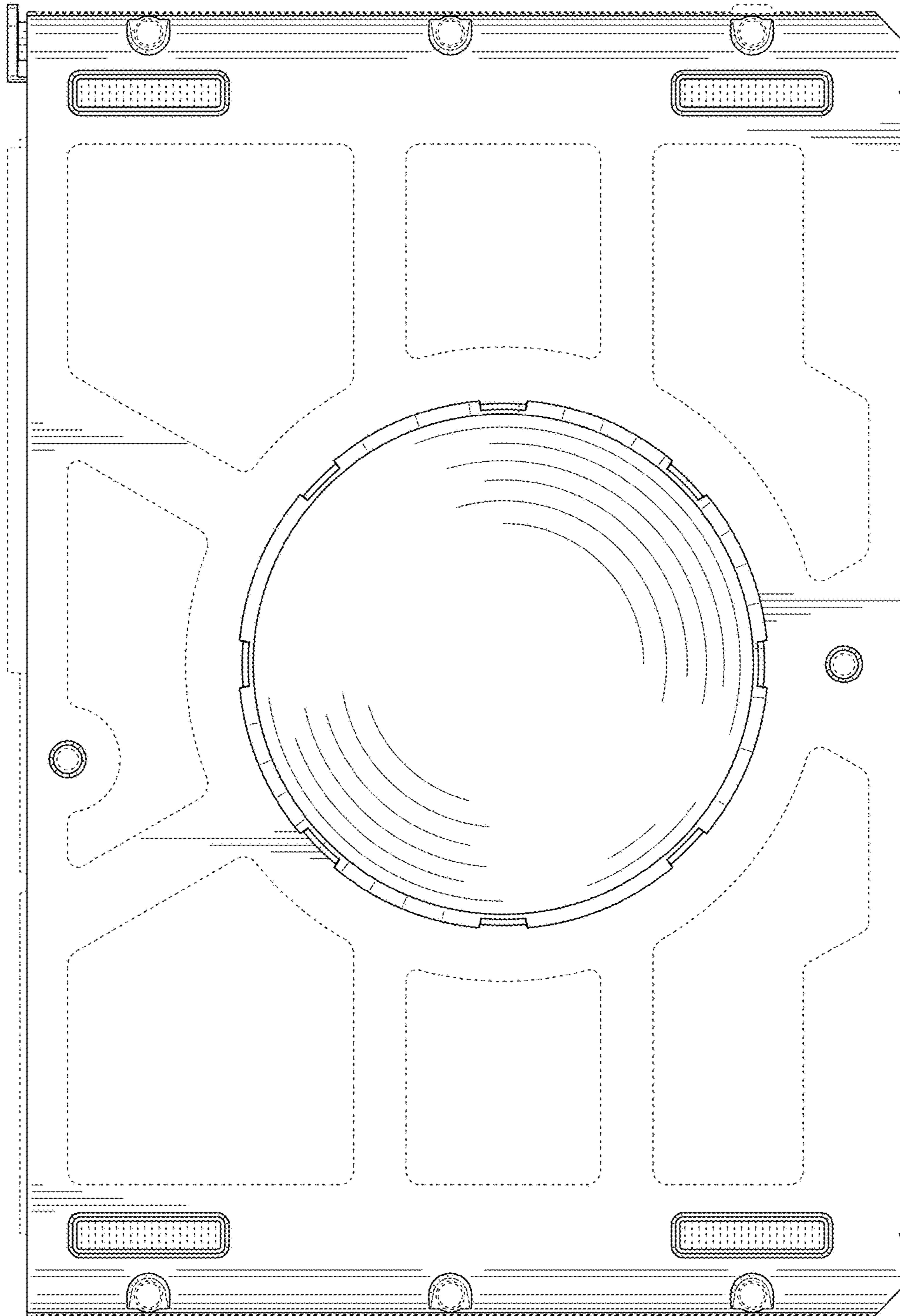


FIG. 7

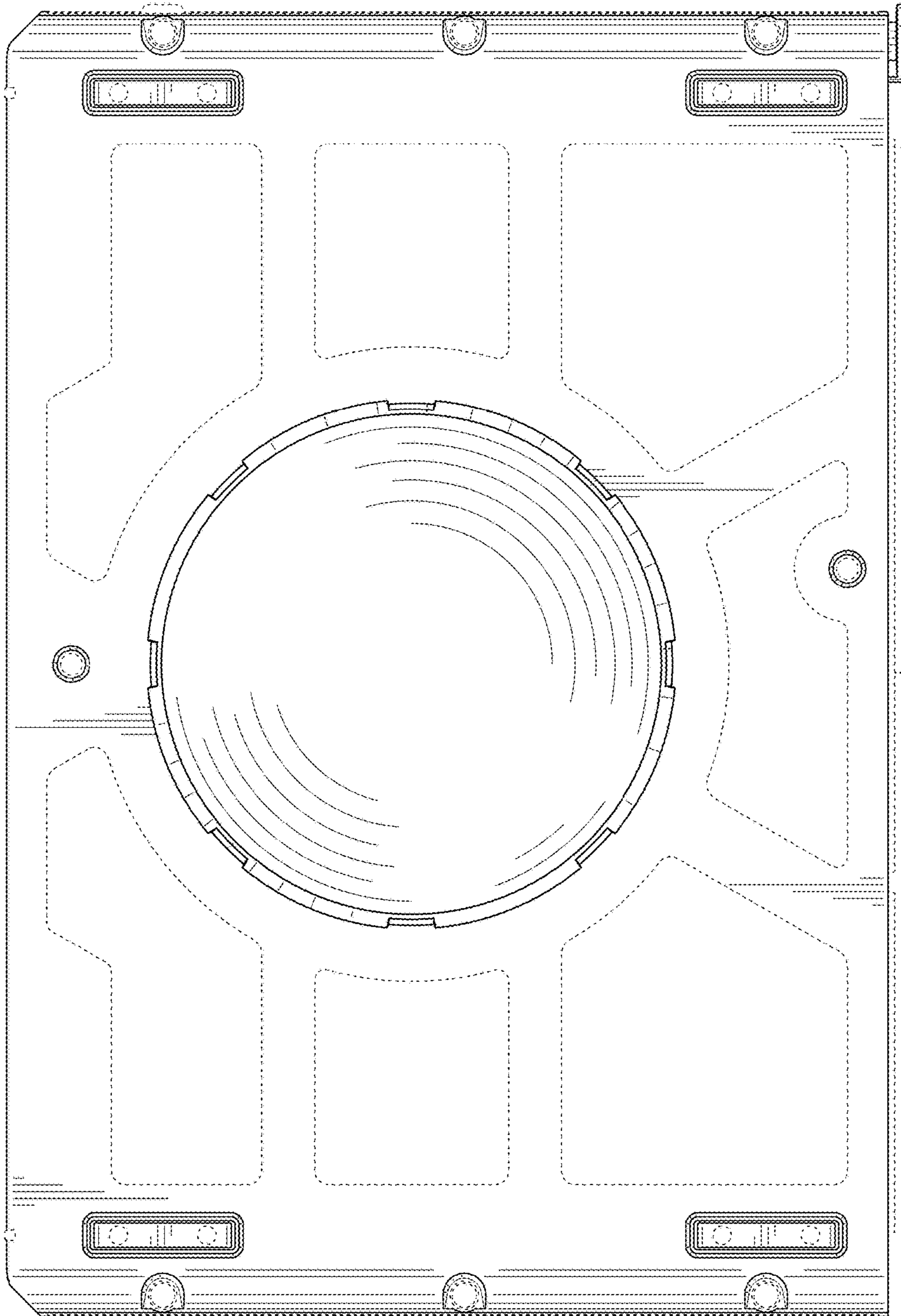


FIG. 8