



US00D808381S

(12) **United States Design Patent**
Van Dijke et al.

(10) **Patent No.:** **US D808,381 S**
(45) **Date of Patent:** **** Jan. 23, 2018**

(54) **COMPUTER**

(71) Applicant: **OMRON Corporation**, Kyoto-shi,
Kyoto (JP)

(72) Inventors: **Casper Van Dijke**, Den Bosch (NL);
Jeremy Wirkus, Den Bosch (NL); **Bas**
Groenendaal, Den Bosch (NL)

(73) Assignee: **OMRON Corporation**, Kyoto (JP)

(**) Term: **15 Years**

(21) Appl. No.: **29/587,074**

(22) Filed: **Dec. 9, 2016**

(30) **Foreign Application Priority Data**

Jul. 26, 2016 (JP) 2016-015878

(51) **LOC (11) Cl.** **14-02**

(52) **U.S. Cl.**
USPC **D14/313**; D14/300

(58) **Field of Classification Search**
USPC D14/240, 300, 301, 308, 313, 314,
D14/348-356, 364-368, 432; D13/123,
D13/158, 184, 199

CPC . G06F 1/20; G06F 1/181; G06F 1/187; G06F
1/183; G06F 1/184; G06F 1/16; H05K
7/16; H05K 7/20; H05K 7/1424; H05K
7/1409; H05K 7/20545; H05K 7/20727;
H05K 7/1425; H05K 7/1488; H05K
7/183; H05K 7/14; H05K 5/00; H05K
7/00; G11B 33/126; G11B 33/128; G11B
33/08; G11B 33/02; H05H 7/20

See application file for complete search history.

(56) **References Cited**

U.S. PATENT DOCUMENTS

D320,006 S * 9/1991 Ivester D14/355
D337,114 S * 7/1993 Mantz D13/184

D343,395 S * 1/1994 Kakizaki D14/188
D352,275 S * 11/1994 Crawley D13/122
D379,174 S * 5/1997 Kornblum D13/123
D428,006 S * 7/2000 Sagues D14/356
D684,151 S * 6/2013 Andersson D14/314
D707,197 S * 6/2014 Jaenecke D14/157
D737,817 S * 9/2015 Starck D14/365

FOREIGN PATENT DOCUMENTS

DE 202016101176 U1 7/2016
JP 1482612 S 10/2014
JP 1483455 S 10/2014
JP 1483456 S 10/2014
JP 1552176 S 6/2016

* cited by examiner

Primary Examiner — Freda S Nunn

(74) *Attorney, Agent, or Firm* — Capitol City TechLaw

(57) **CLAIM**

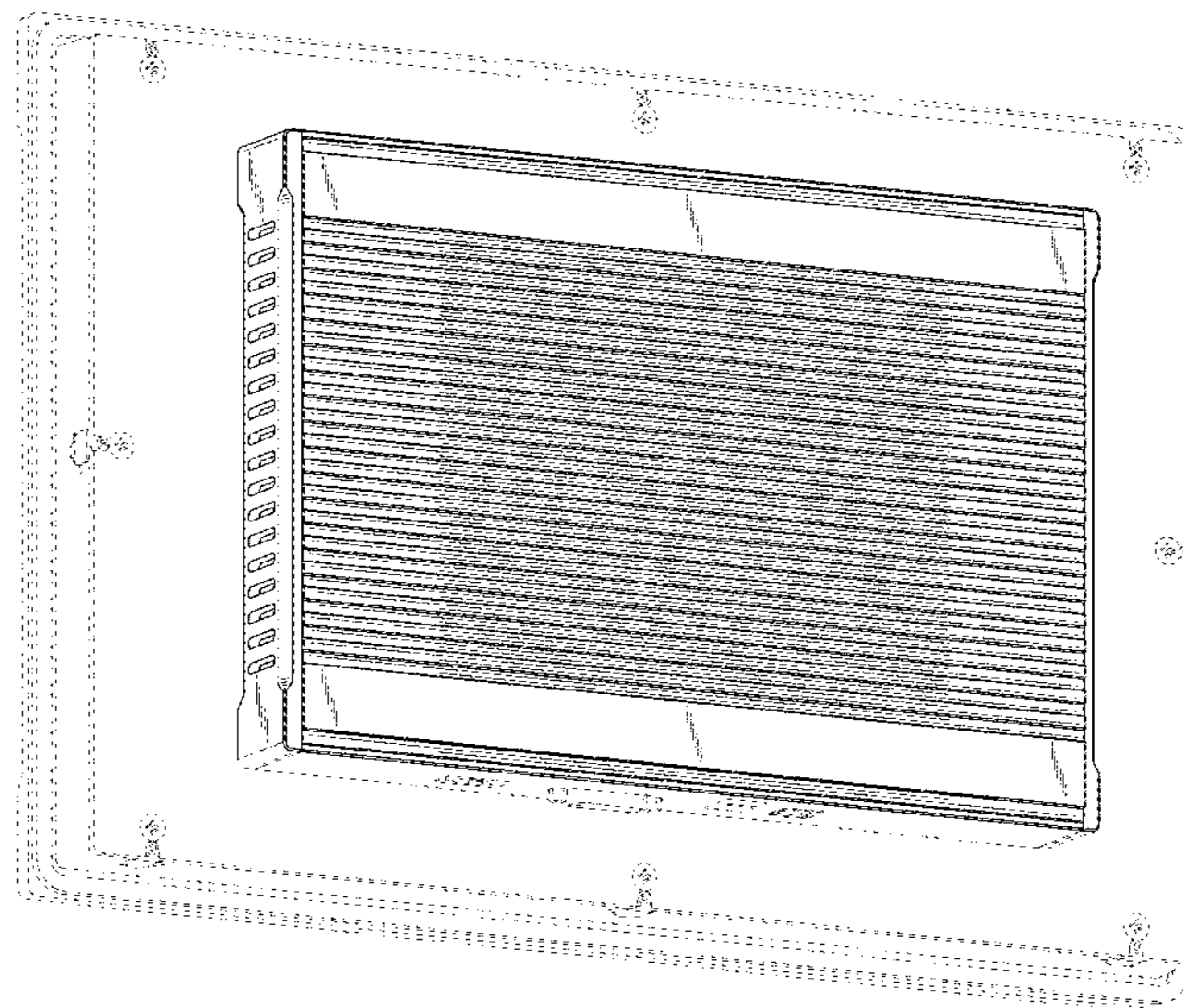
The ornamental design for a computer, as shown and described.

DESCRIPTION

FIG. 1 is a rear, bottom, and right side perspective view of a computer showing our new design; FIG. 2 is a front view thereof; FIG. 3 is a rear view thereof; FIG. 4 is a left side view thereof; FIG. 5 is a right side view thereof; FIG. 6 is a top view thereof; and, FIG. 7 is a bottom view thereof.

The long-dash-short-dash broken lines adjacent the shading in the views represent the bounds of the claimed design and the even broken lines represent environment only and form no part of the claimed design.

1 Claim, 5 Drawing Sheets



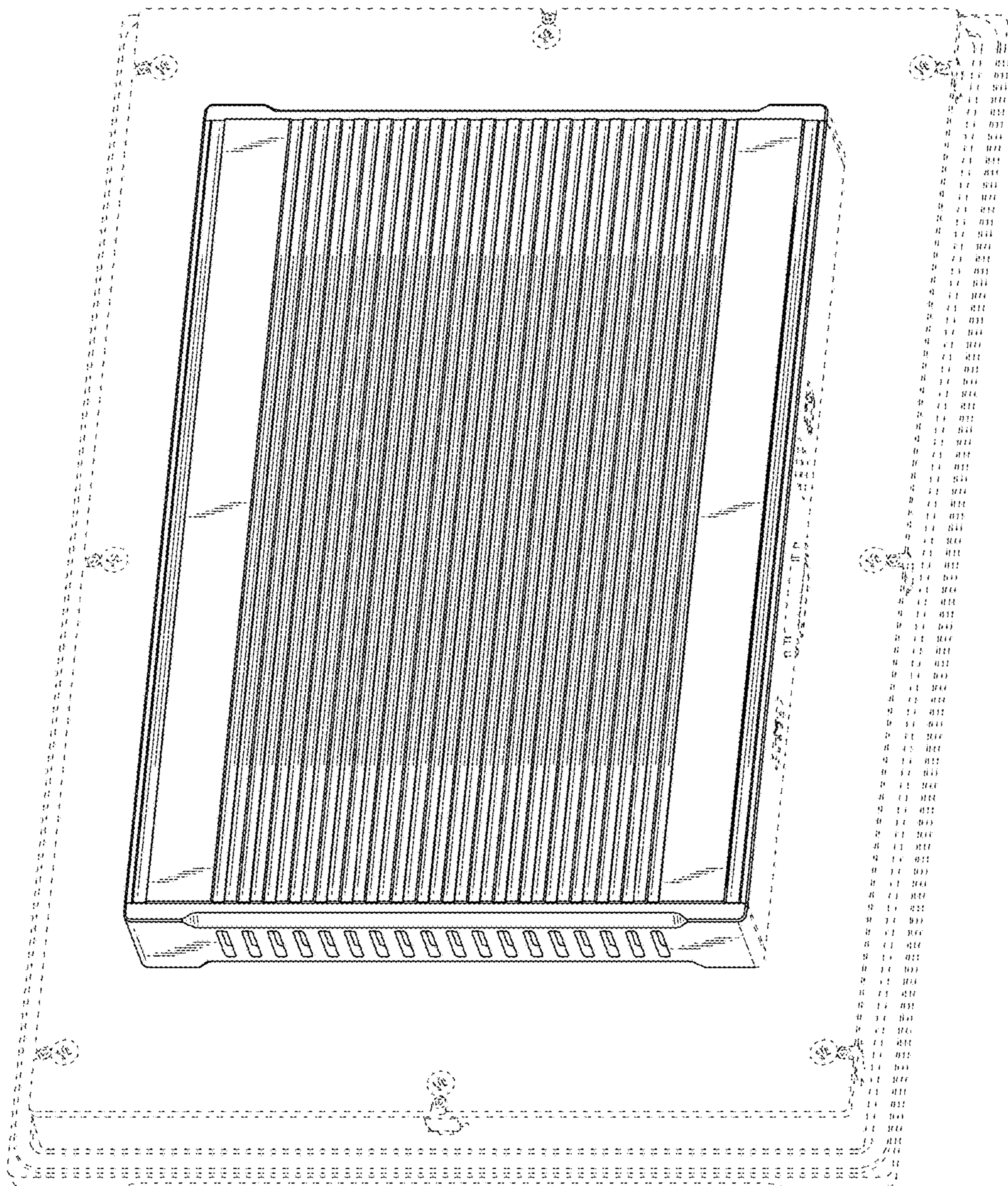


Fig. 1

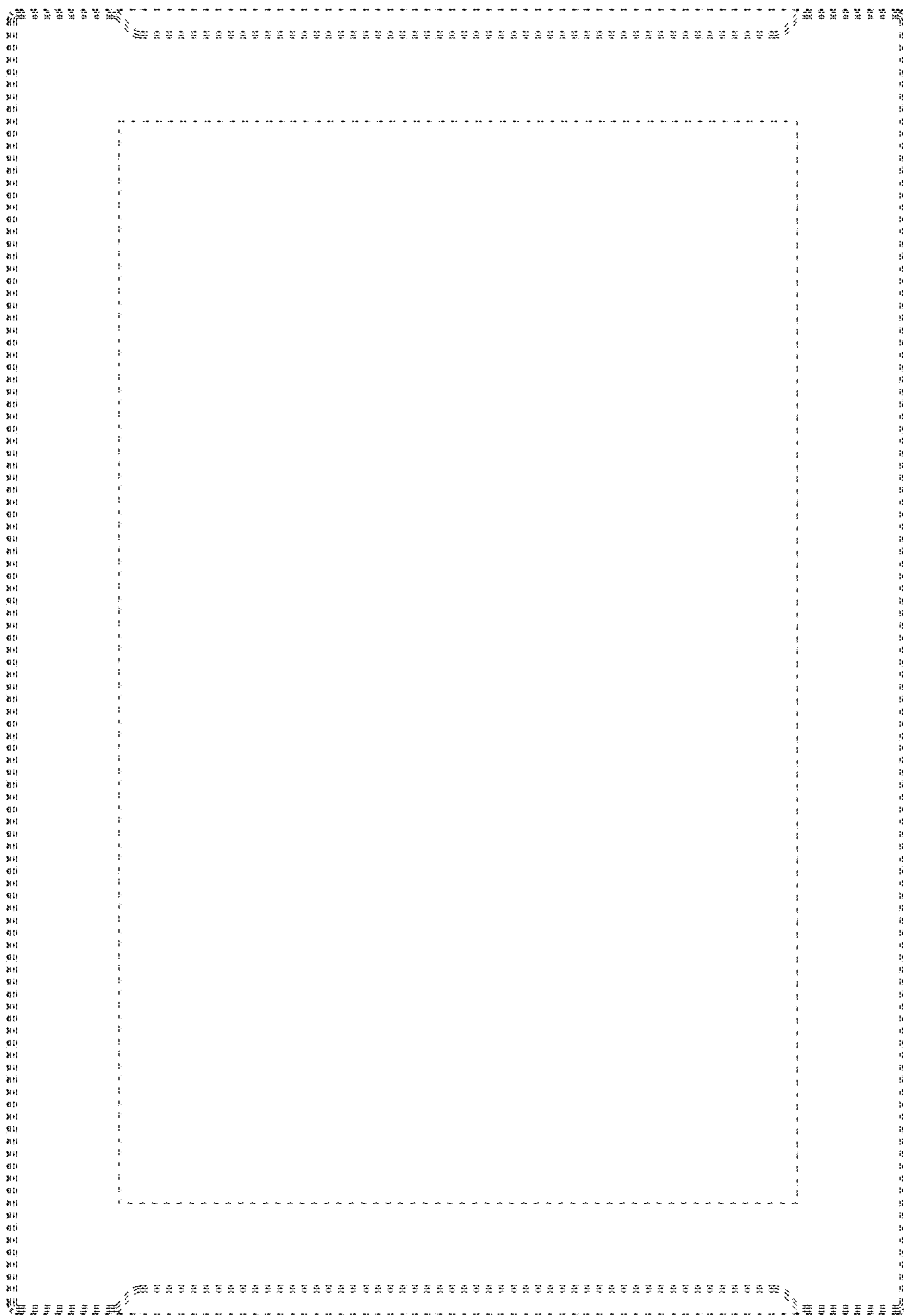


Fig. 2

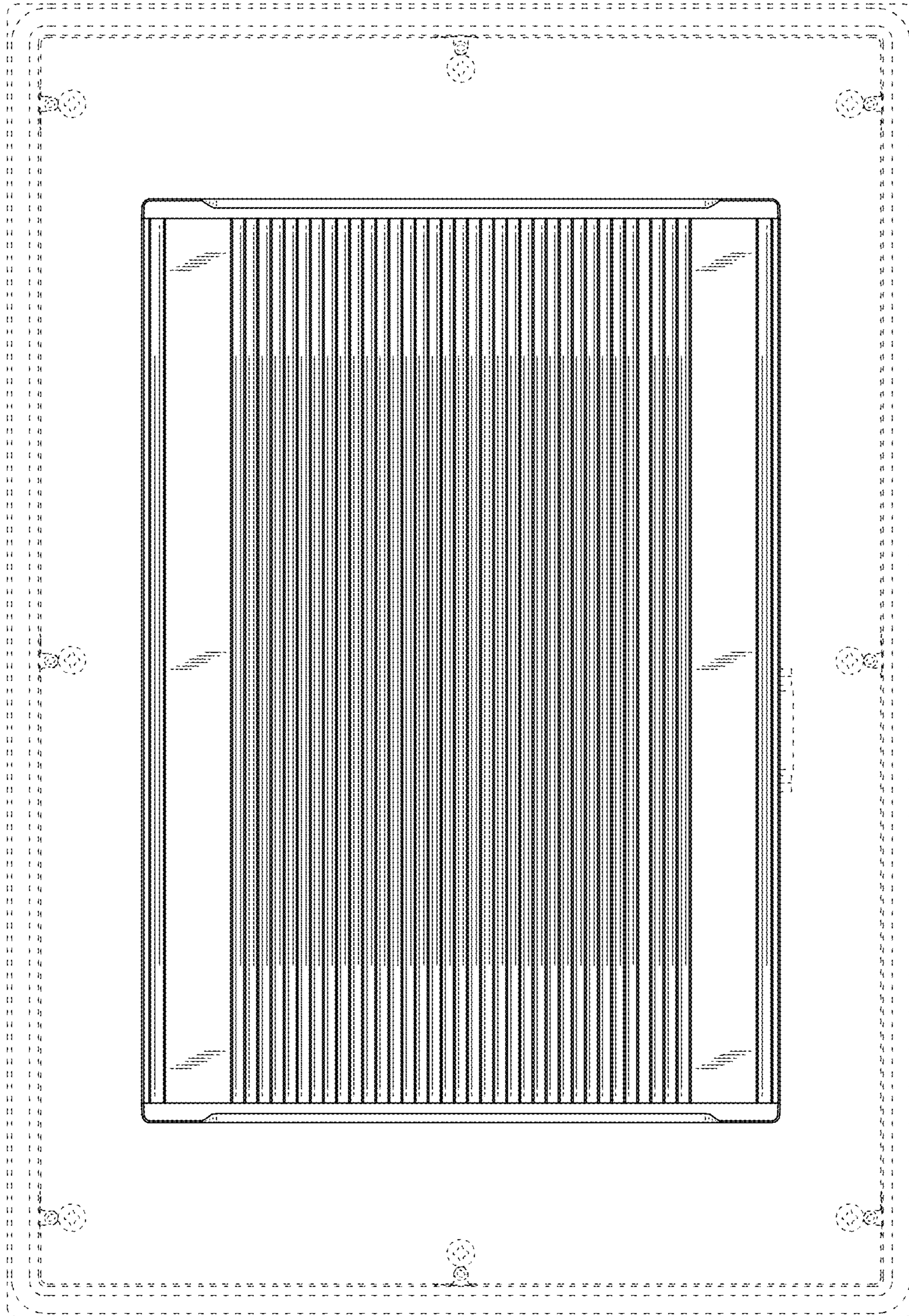


Fig. 3

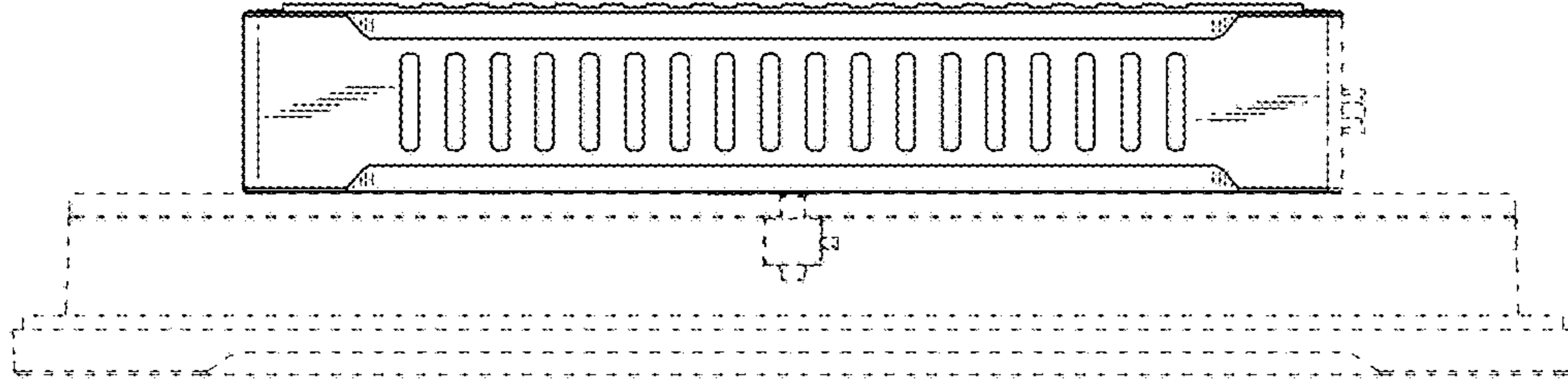


Fig. 5

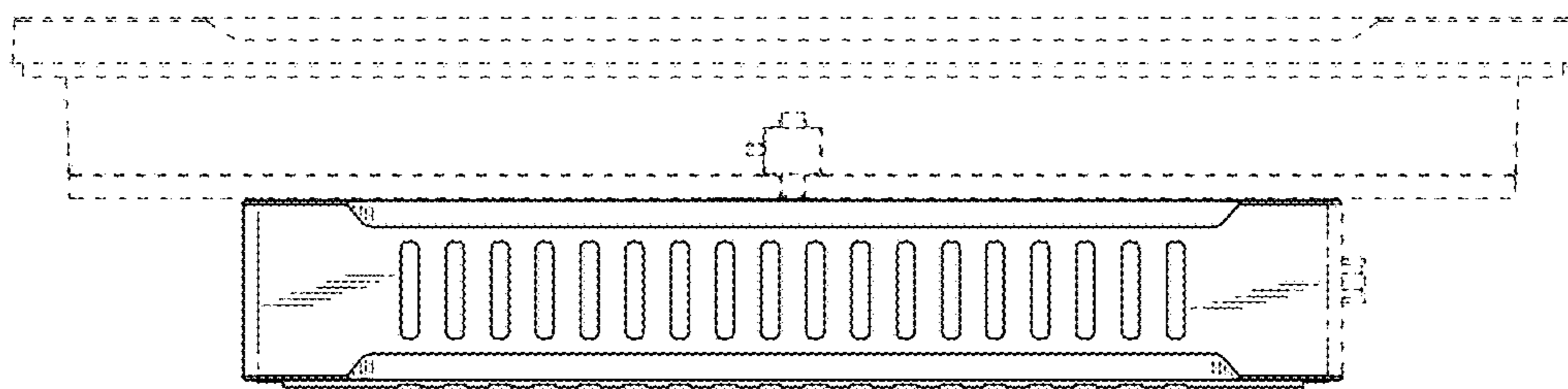


Fig. 4

Fig. 6

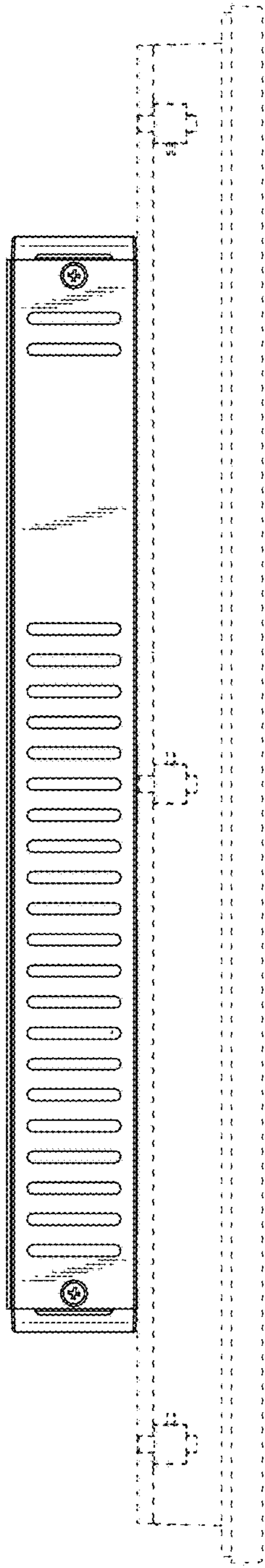


Fig. 7

