



US00D808380S

(12) **United States Design Patent** (10) **Patent No.:** **US D808,380 S**
Dillon et al. (45) **Date of Patent:** **** Jan. 23, 2018**

- (54) **FINANCIAL SERVICES KIOSK**
- (71) Applicants: **John Dillon**, Gilbert, AZ (US); **Jim Ransco, II**, Paradise Valley, AZ (US); **John W. Smith**, Scottsdale, AZ (US)
- (72) Inventors: **John Dillon**, Gilbert, AZ (US); **Jim Ransco, II**, Paradise Valley, AZ (US); **John W. Smith**, Scottsdale, AZ (US)
- (73) Assignee: **DBSI, Inc.**, Chandler, AZ (US)
- (**) Term: **15 Years**
- (21) Appl. No.: **29/560,814**
- (22) Filed: **Apr. 11, 2016**
- (51) **LOC (11) Cl.** **14-02**
- (52) **U.S. Cl.**
USPC **D14/307**
- (58) **Field of Classification Search**
USPC D14/302-307, 900-902; D13/163; D20/10; D21/332, 325, 369, 370; D99/28; D6/397, 466; 194/206; 361/679.01, 679.02, 679.04, 679.21, 361/679.57, 725
CPC G06Q 20/18; G06Q 20/10; G06Q 20/123; G06Q 20/20; G06Q 30/02; G06Q 30/06; A47F 9/047
See application file for complete search history.

- (56) **References Cited**
U.S. PATENT DOCUMENTS
D591,078 S * 4/2009 Singler D14/307
D702,415 S * 4/2014 Kimoto D99/43
D708,676 S * 7/2014 Ballman D14/307
D742,870 S * 11/2015 Berini G06F 21/32
D743,956 S * 11/2015 Kraft D14/307
D751,061 S * 3/2016 Berini D14/307
D752,573 S * 3/2016 Ballman D14/307

- D760,711 S * 7/2016 Berini D14/307
- D762,635 S * 8/2016 Szeredi D14/307
- D774,504 S * 12/2016 Hoover D14/307
- D778,276 S * 2/2017 Berini D14/307
- D788,098 S * 5/2017 Thornton D14/307
- 2003/0001010 A1* 1/2003 Schmidt A47F 9/04
235/385
- 2006/0073883 A1* 4/2006 Franks, Jr. G06Q 30/02
463/25
- 2009/0289104 A1* 11/2009 Yoneda G06F 1/16
235/375

(Continued)

Primary Examiner — Austin Murphy
(74) *Attorney, Agent, or Firm* — Morgan Law Offices, PLC

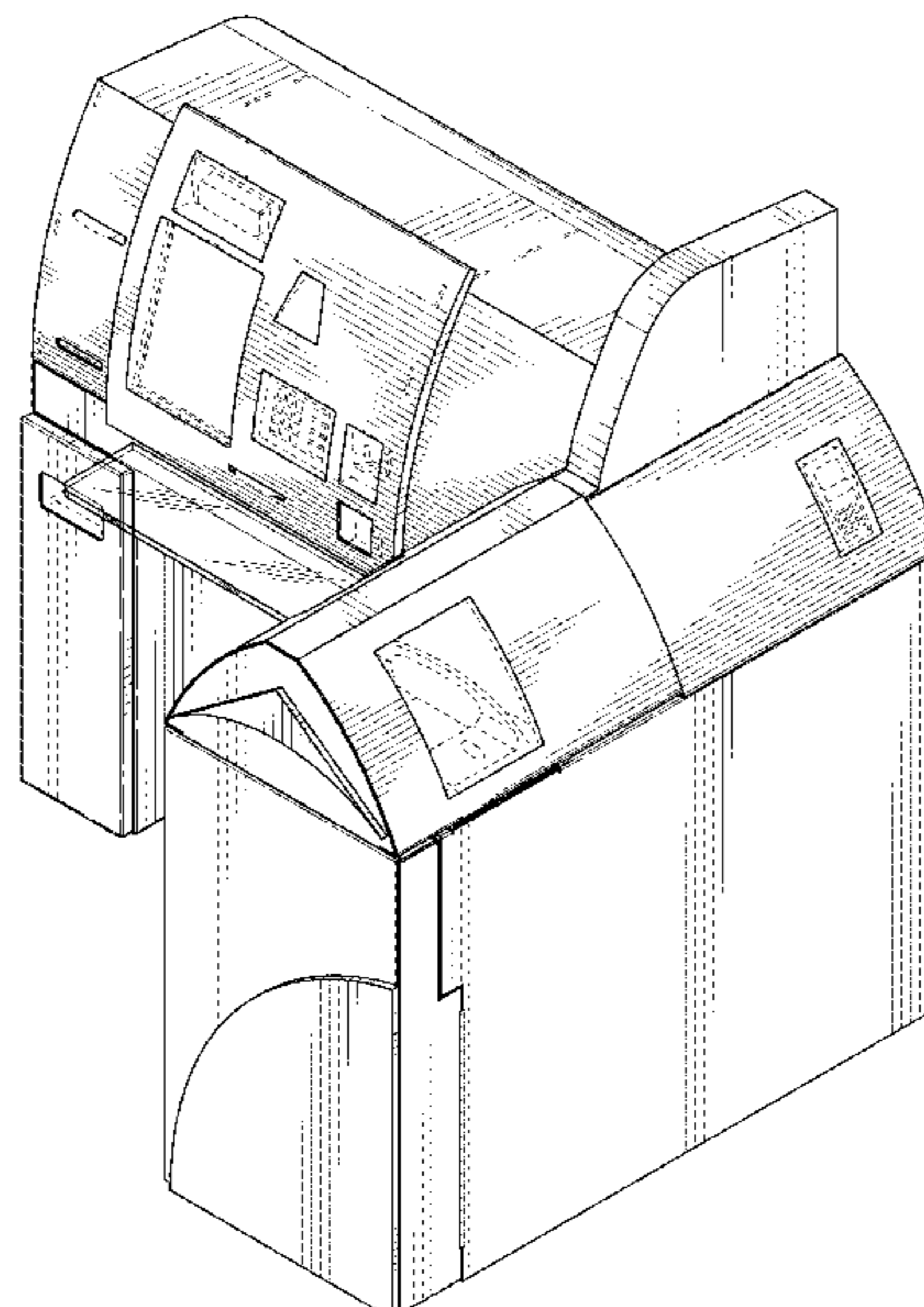
(57) **CLAIM**

The ornamental design for the financial services kiosk, as shown and described.

DESCRIPTION

FIG. 1 is a perspective view of a financial services kiosk, showing our new design;
FIG. 2 is a first view thereof;
FIG. 3 is a second side view thereof;
FIG. 4 is a third side view thereof;
FIG. 5 is a fourth side view thereof;
FIG. 6 is a top plan view thereof;
FIG. 7 is a bottom plan view thereof;
FIG. 8 is a perspective view of a second embodiment of a financial services kiosk, showing our new design;
FIG. 9 is a first view thereof;
FIG. 10 is a second side view thereof;
FIG. 11 is a third side view thereof;
FIG. 12 is a fourth side view thereof;
FIG. 13 is a top plan view thereof; and,
FIG. 14 is a bottom plan view thereof.
Broken lines in the drawings are for illustrative purposes only and form no part of the claimed design.

1 Claim, 14 Drawing Sheets



(56)

References Cited

U.S. PATENT DOCUMENTS

2011/0192681 A1* 8/2011 Johnson A47F 10/02
186/52
2013/0215275 A1* 8/2013 Berini G06F 21/32
348/150
2013/0226632 A1* 8/2013 Gilbert B64F 1/366
705/5

* cited by examiner

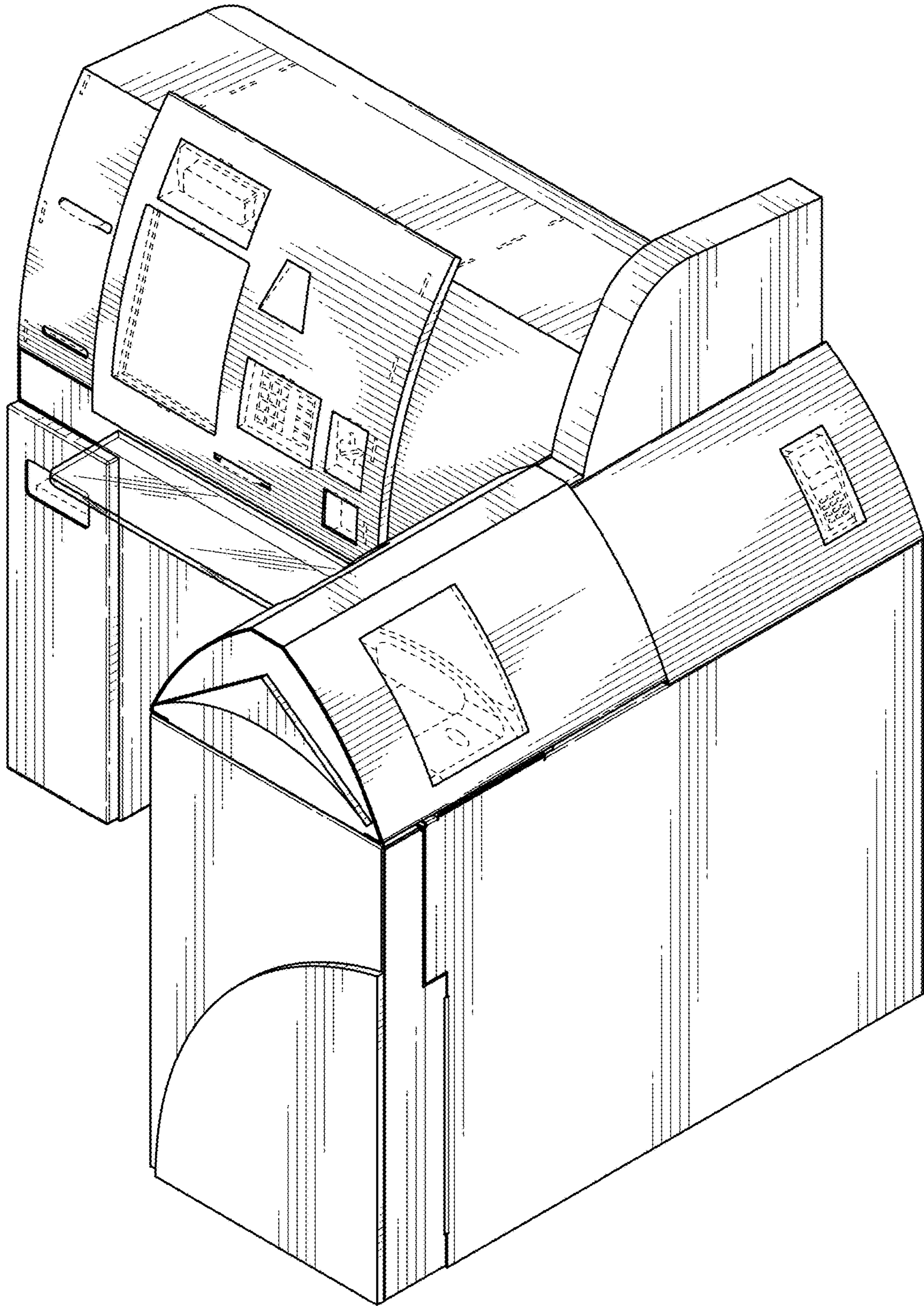


FIG. 1

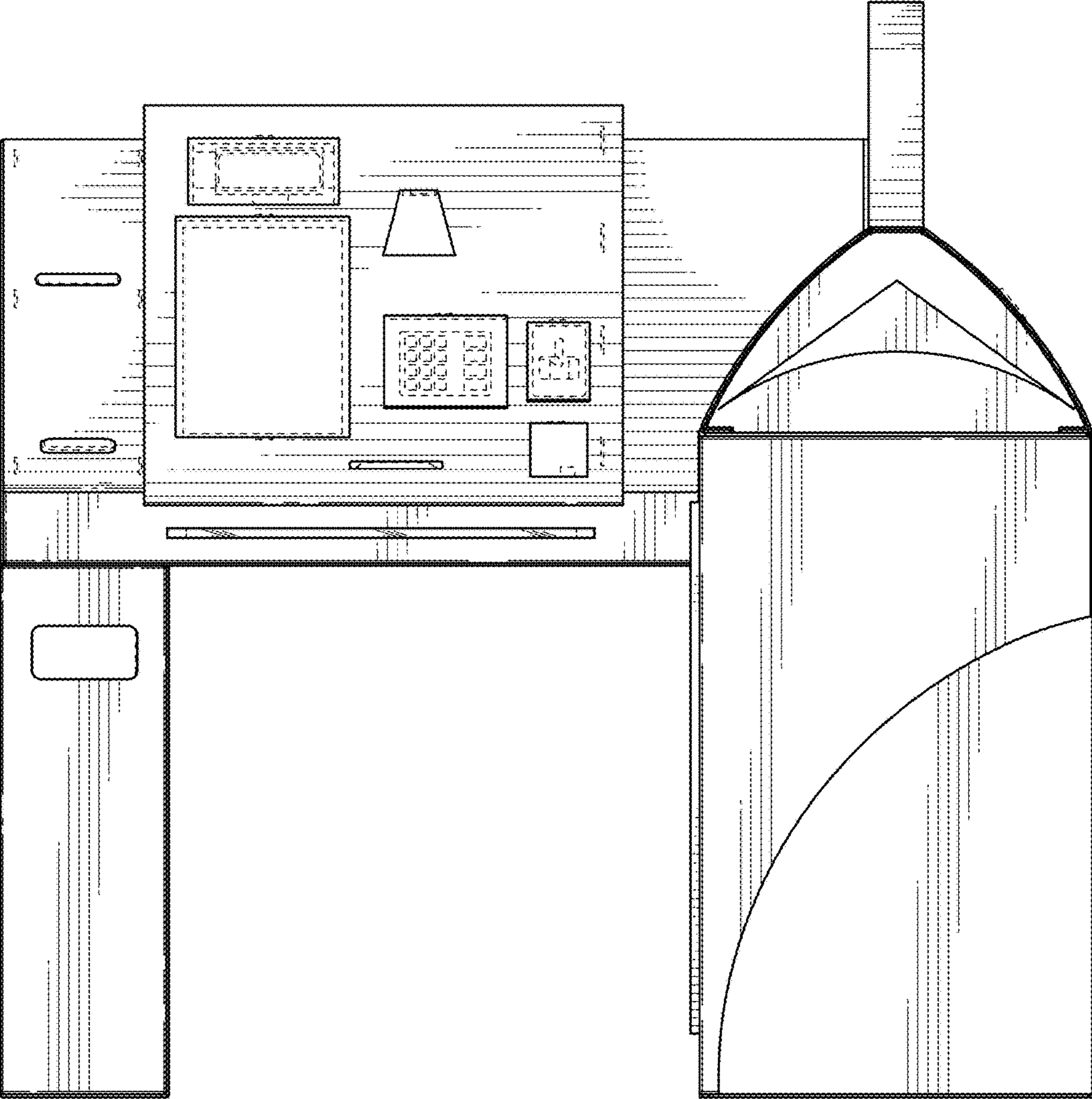


FIG. 2

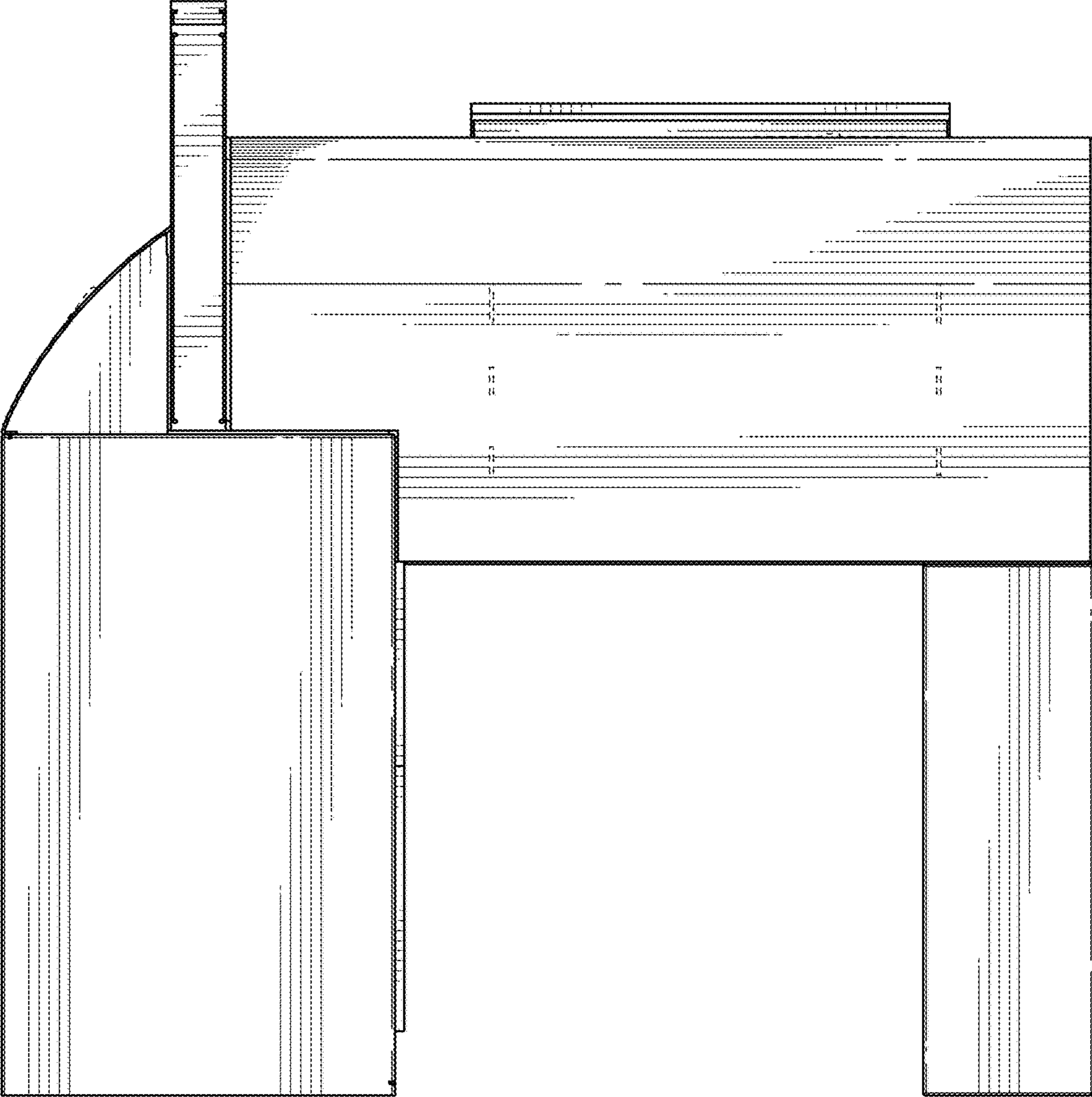


FIG. 3

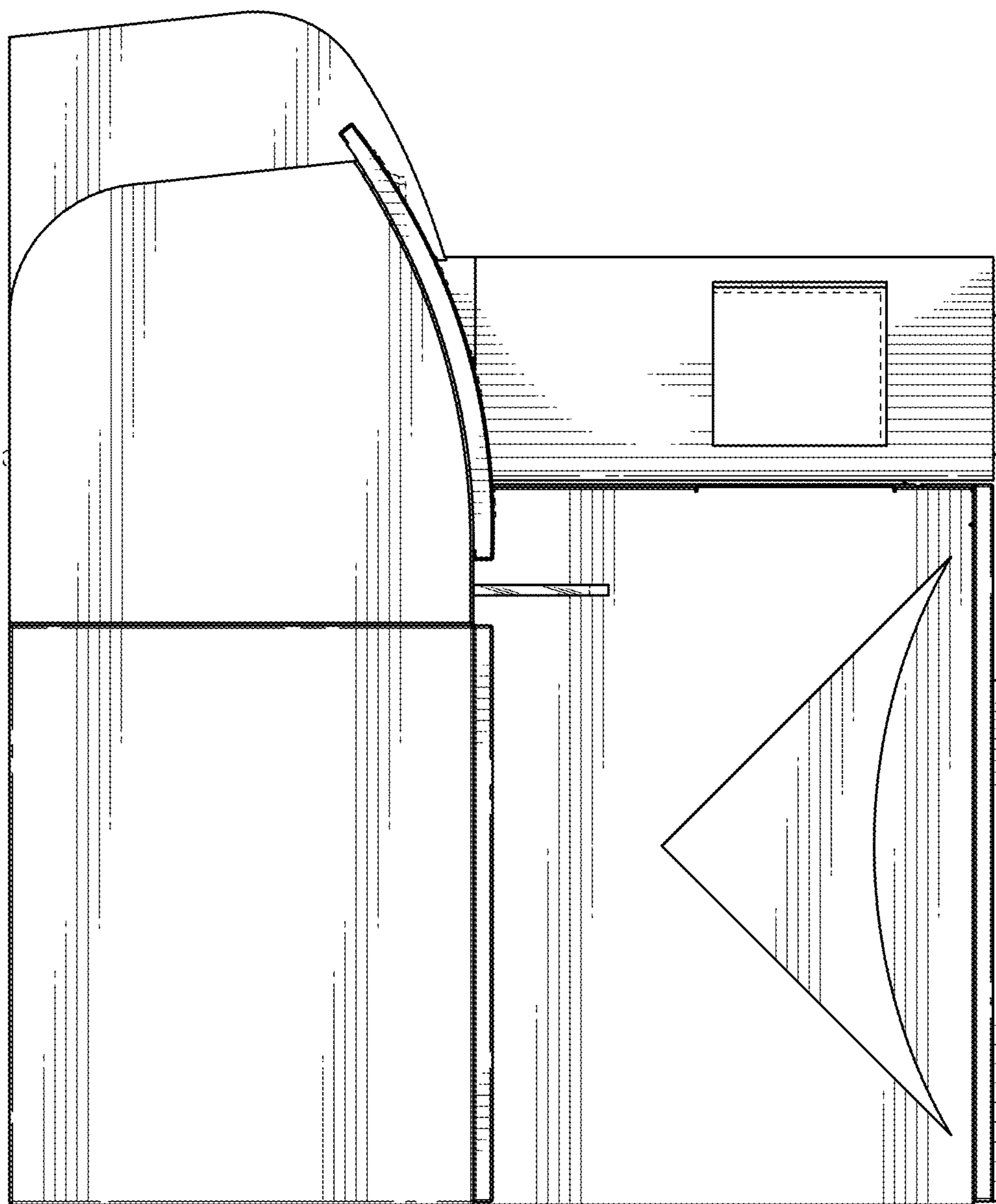


FIG. 4

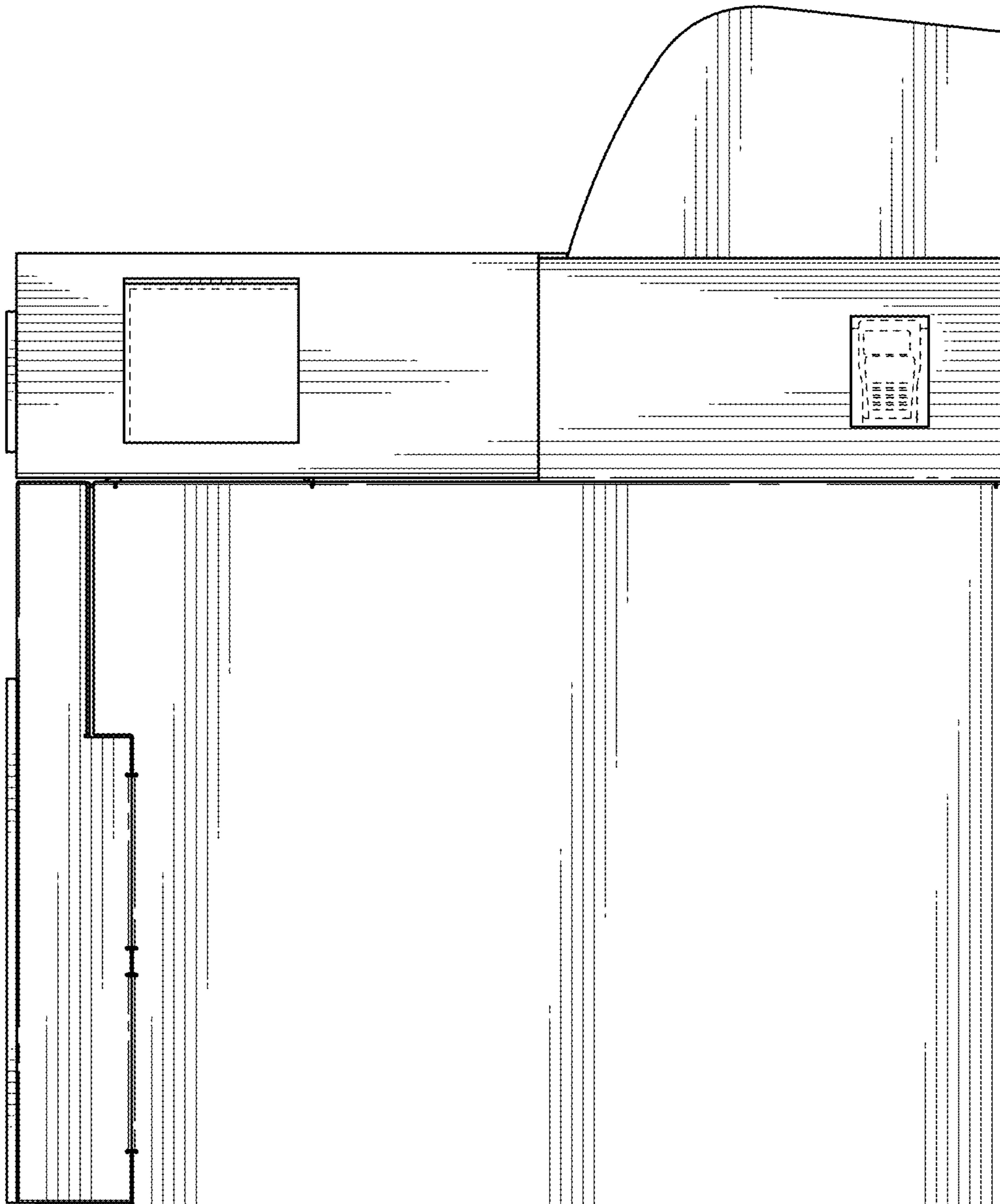


FIG. 5

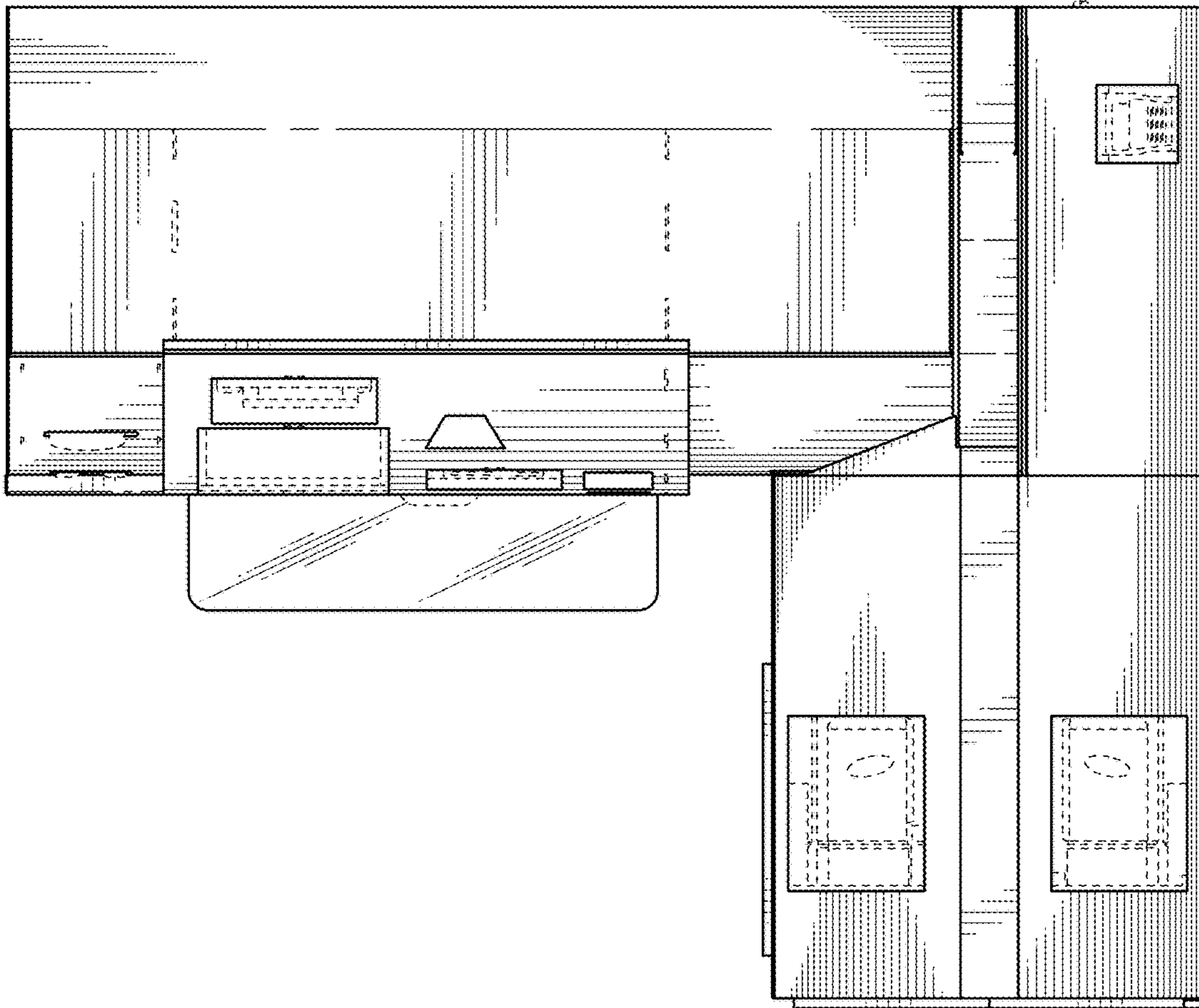


FIG. 6

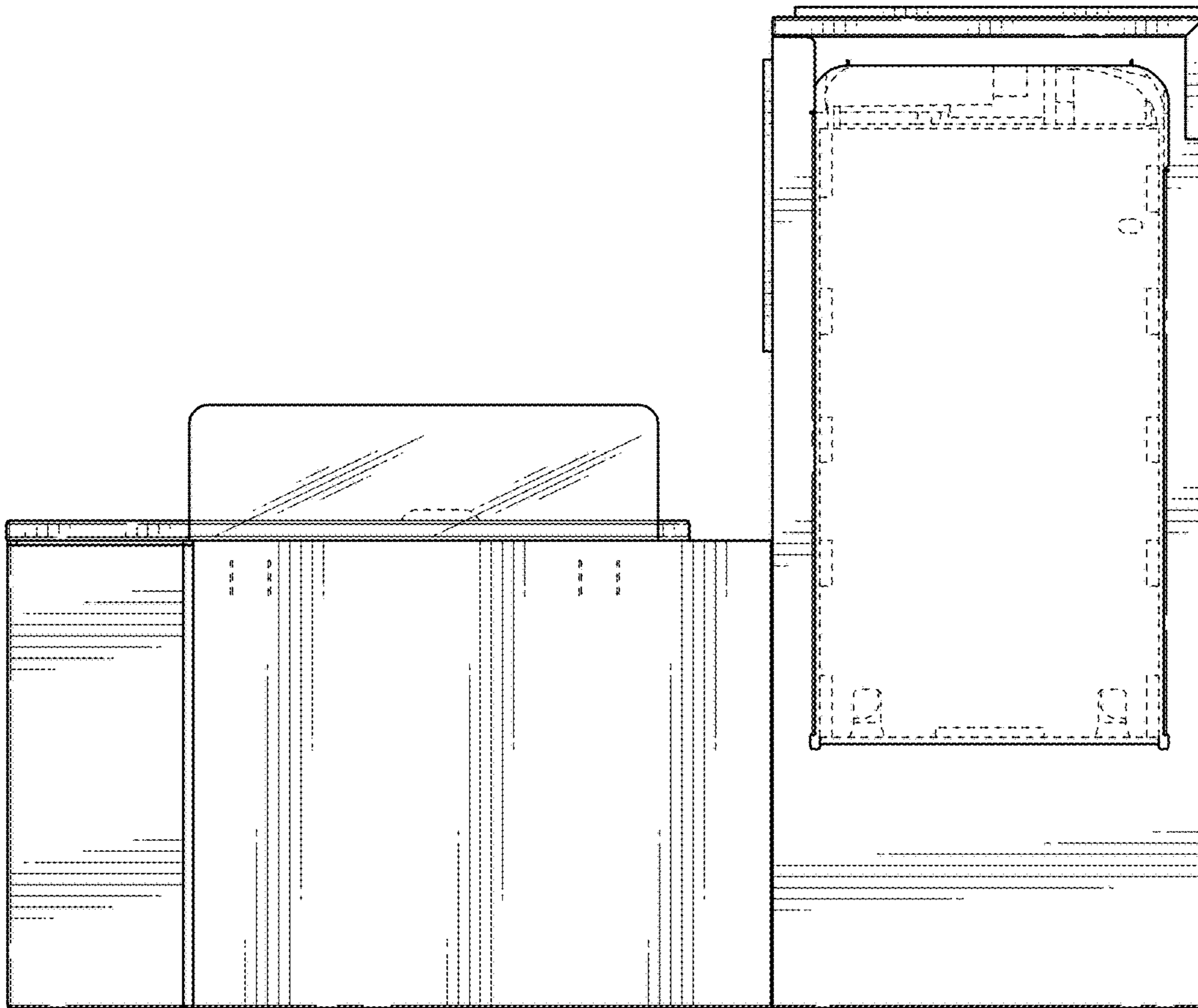


FIG. 7

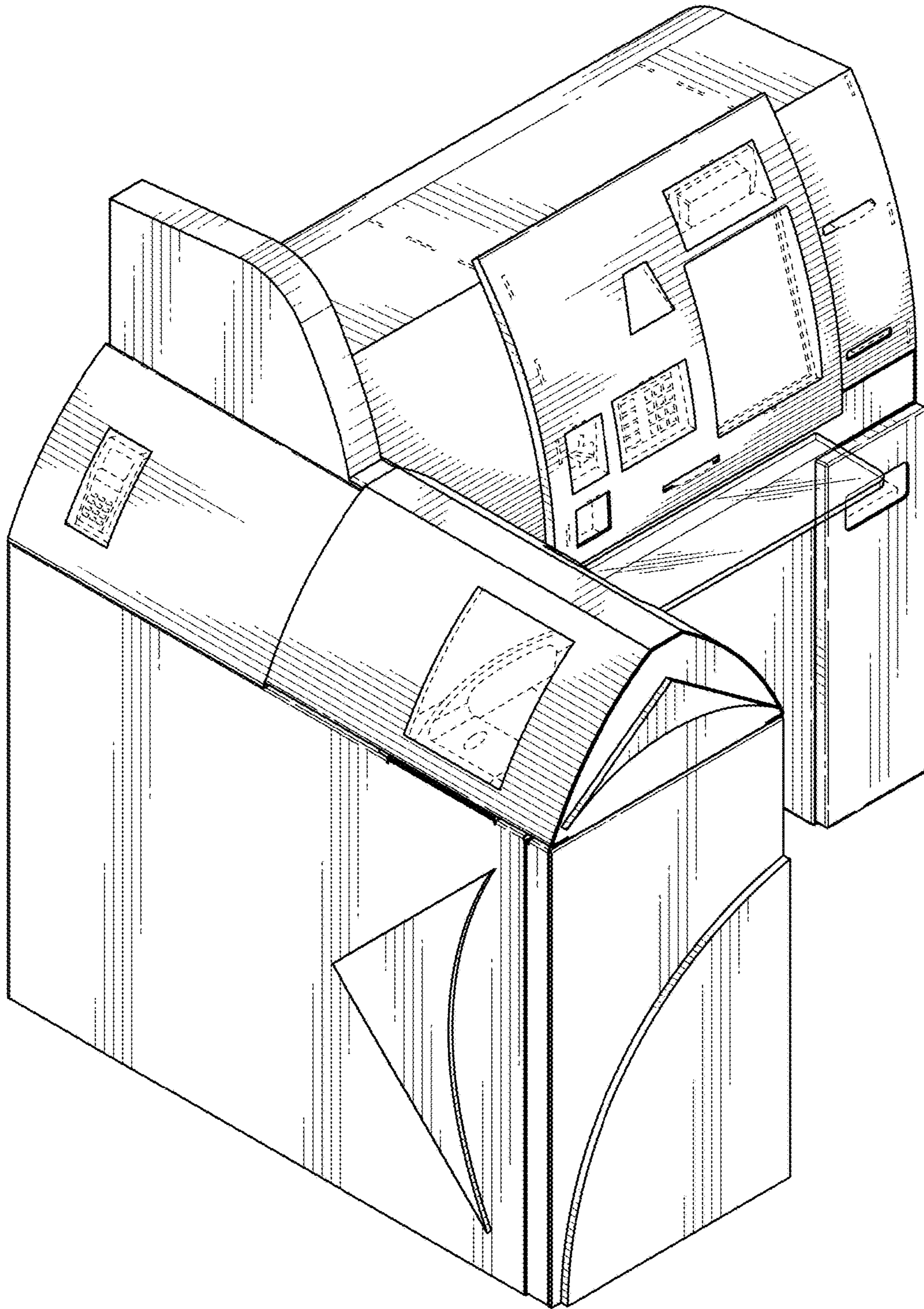


FIG. 8

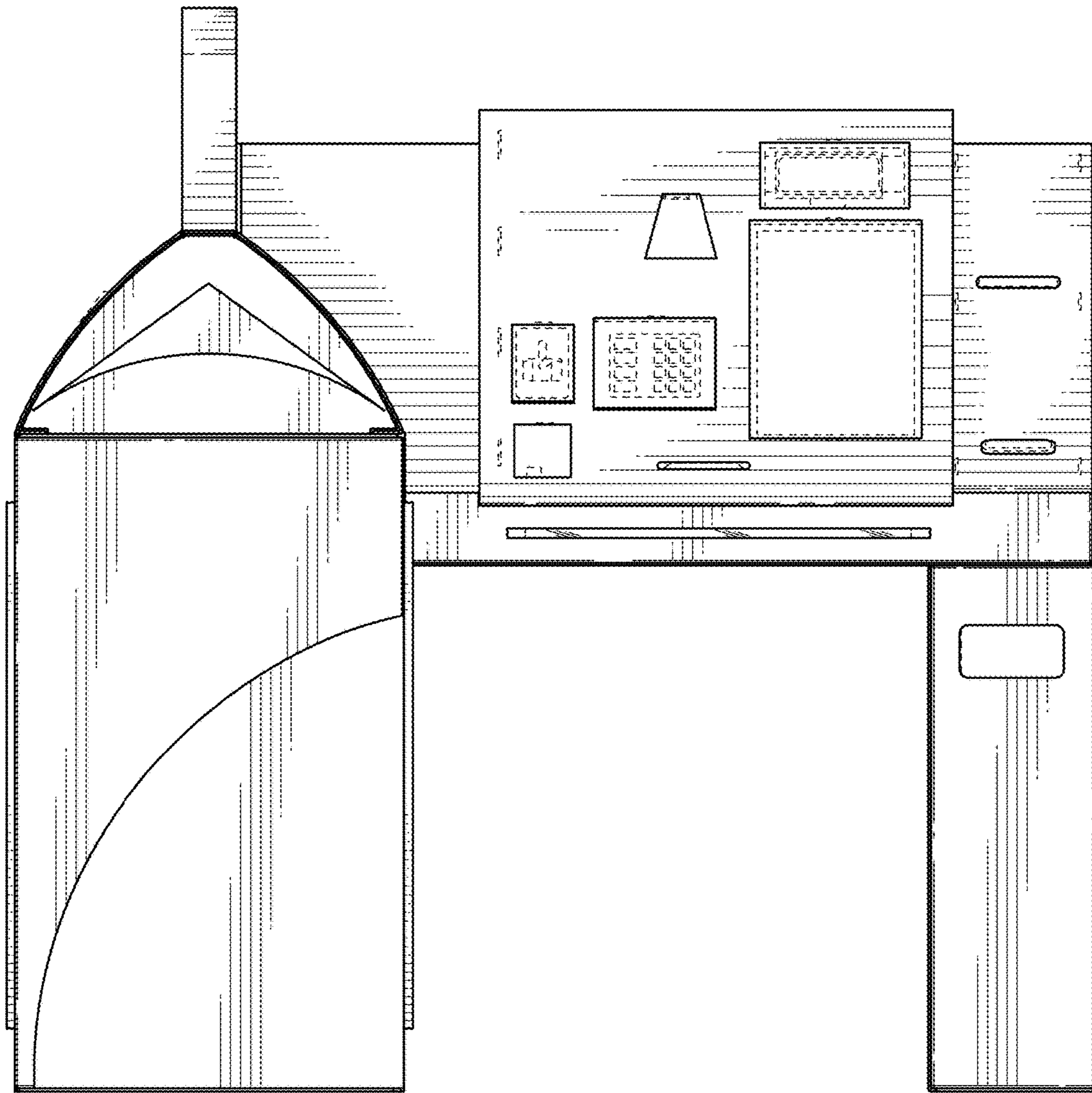


FIG. 9

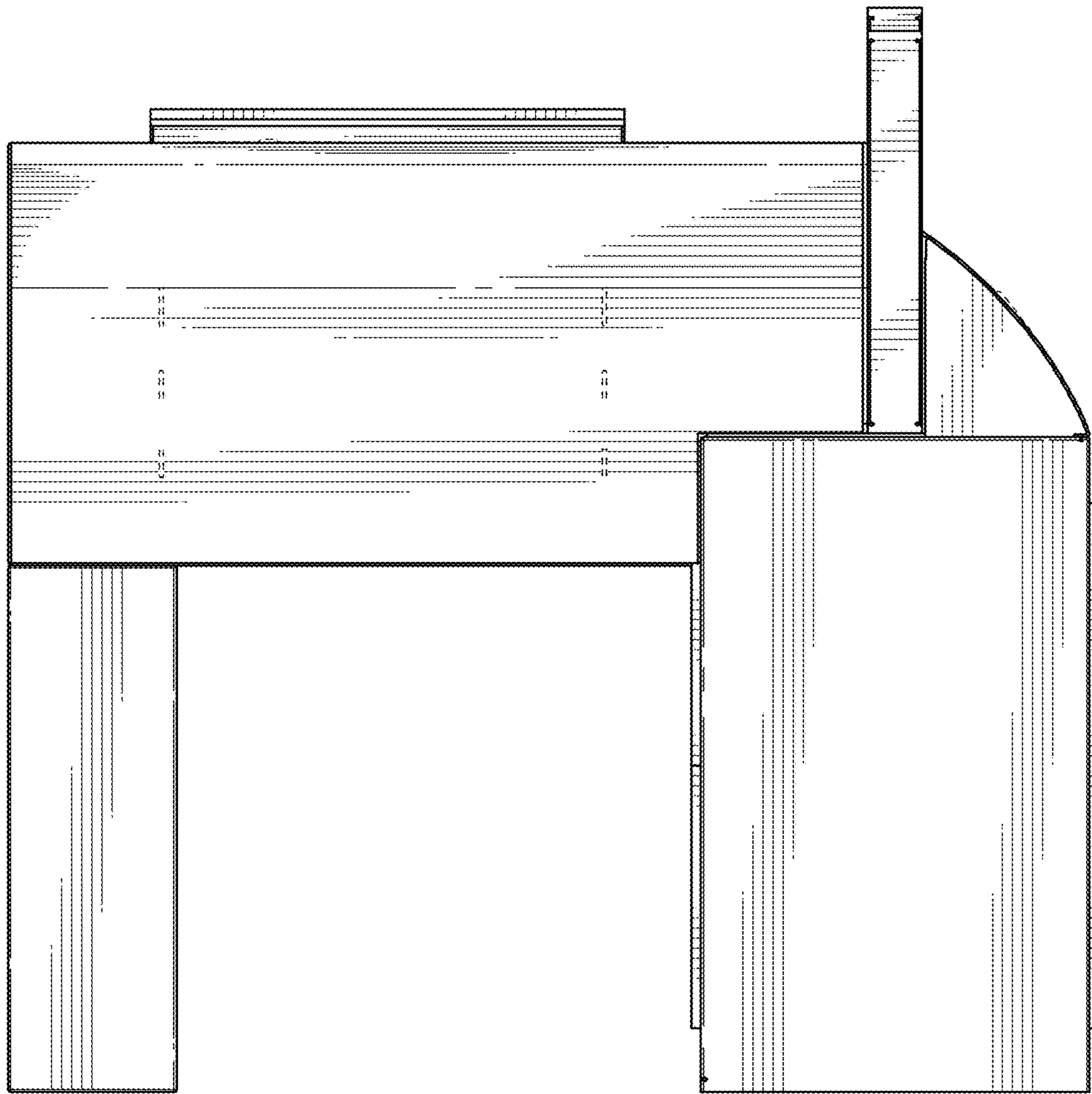


FIG. 10

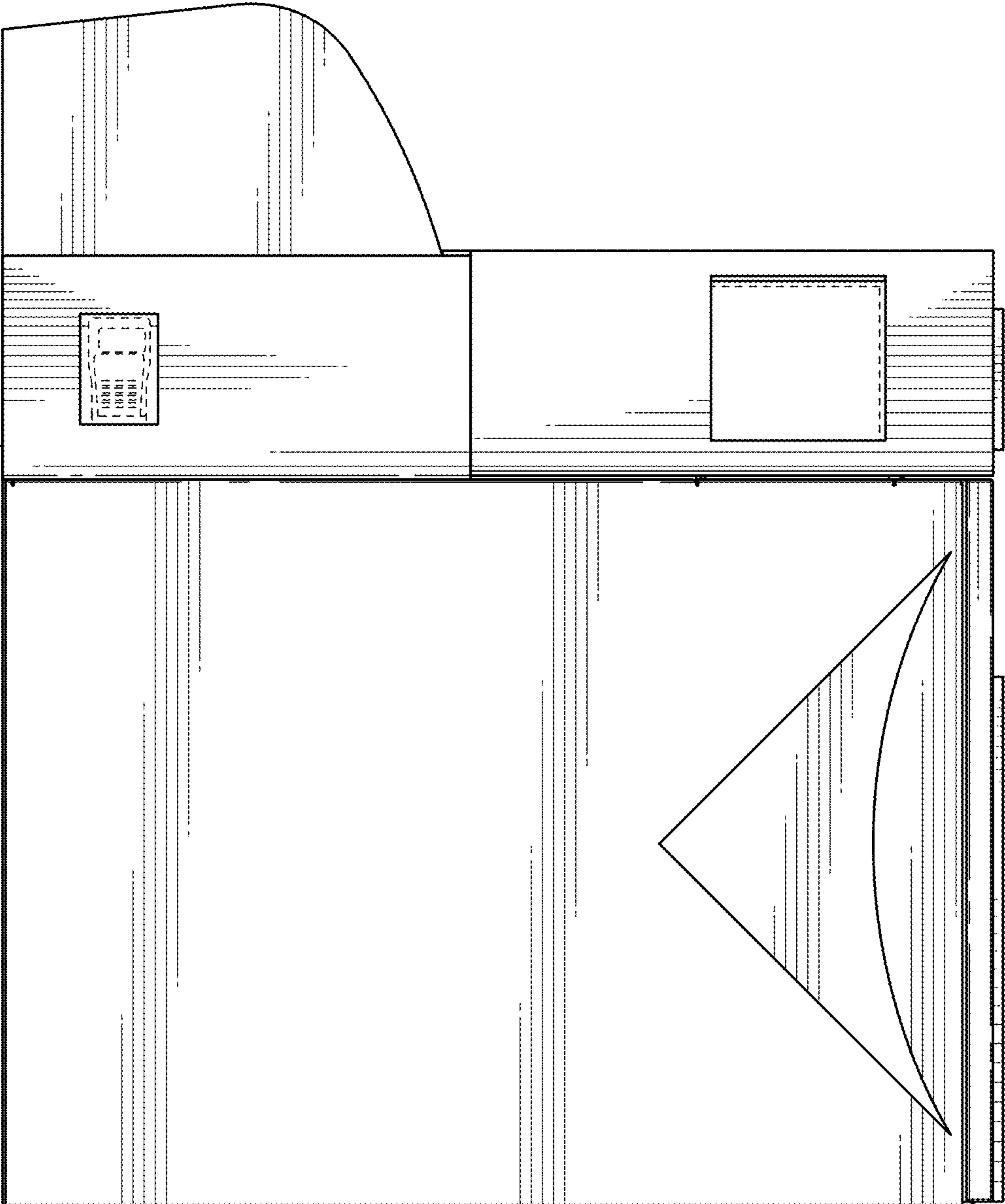


FIG. 11

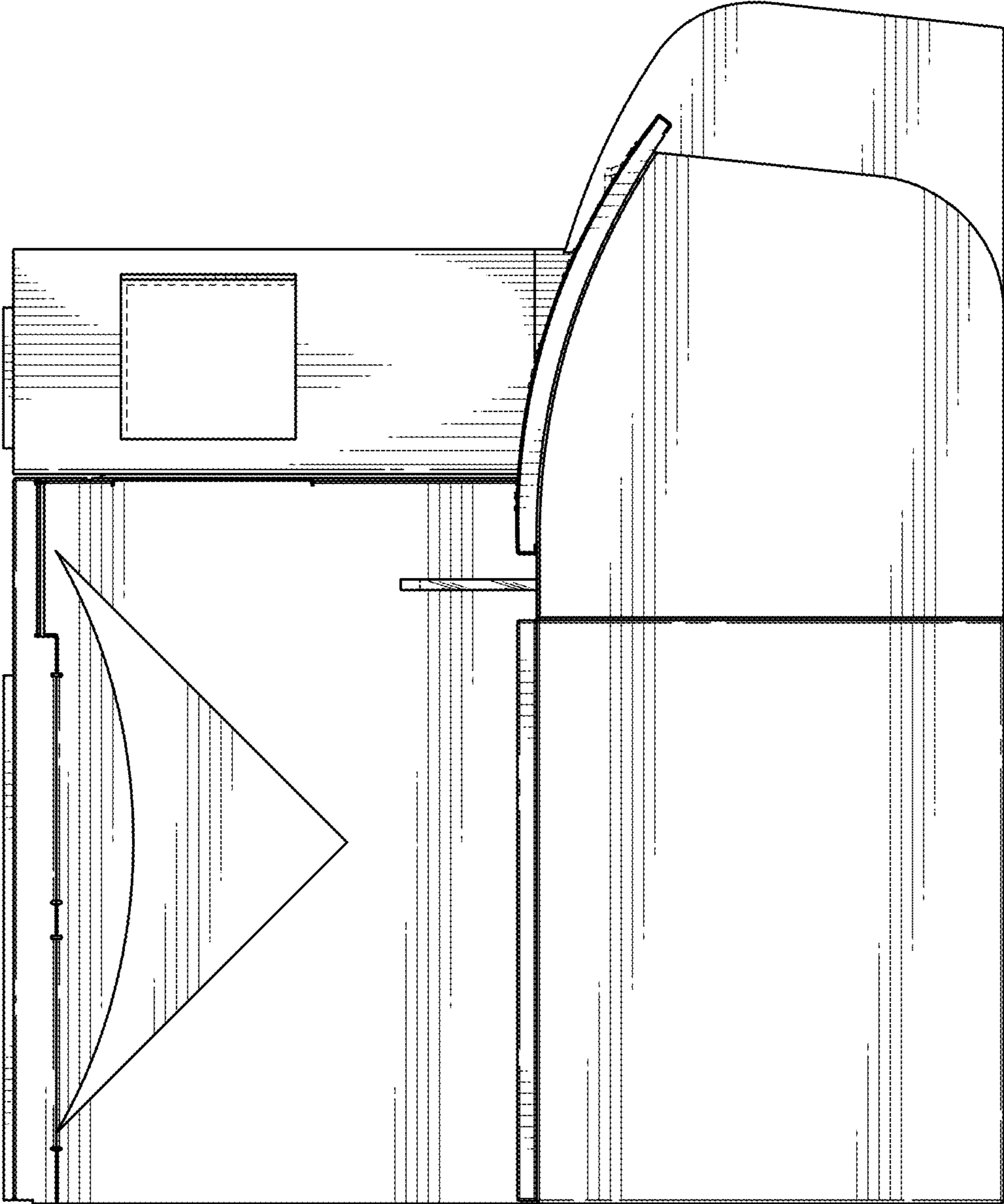


FIG. 12

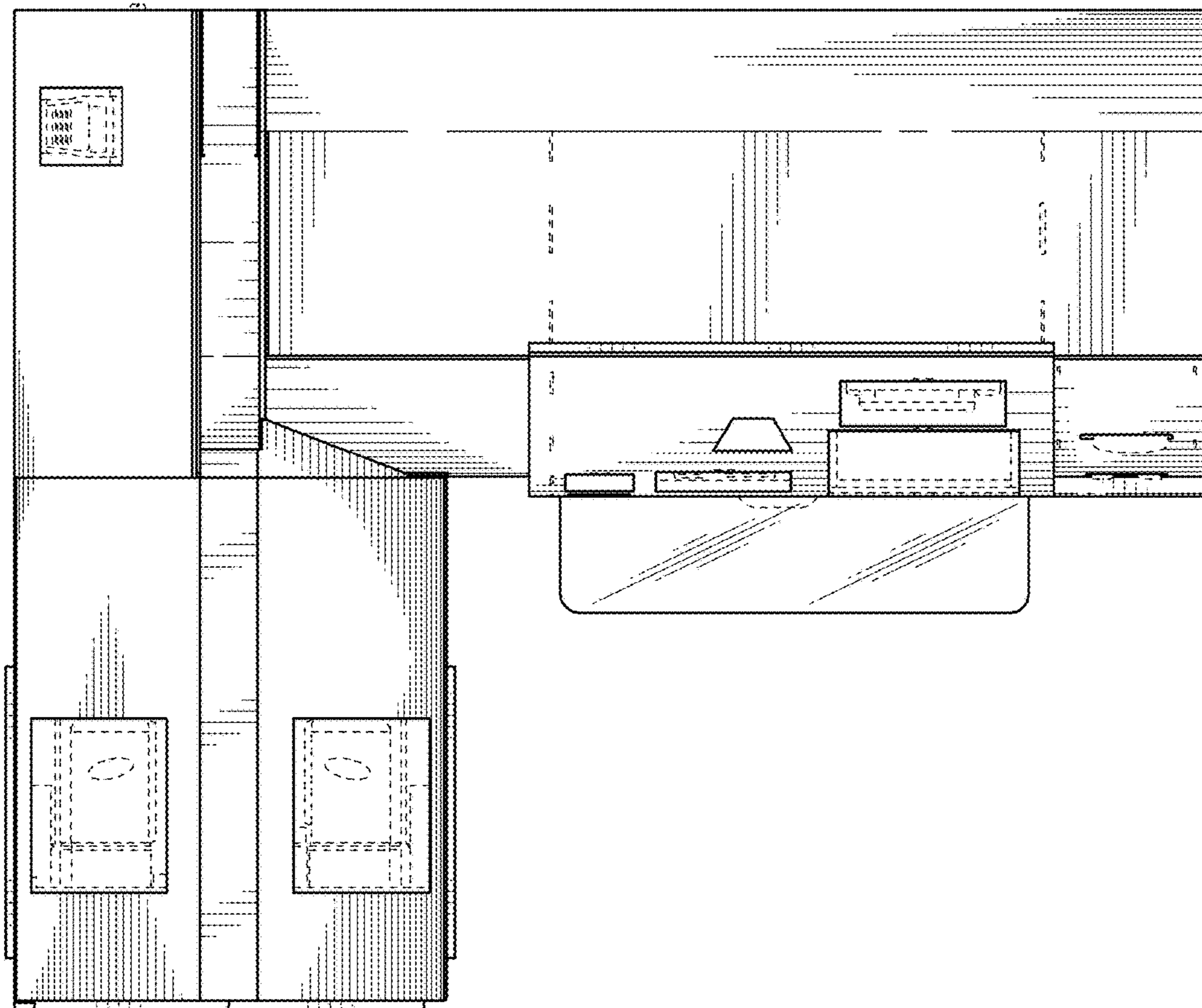


FIG. 13

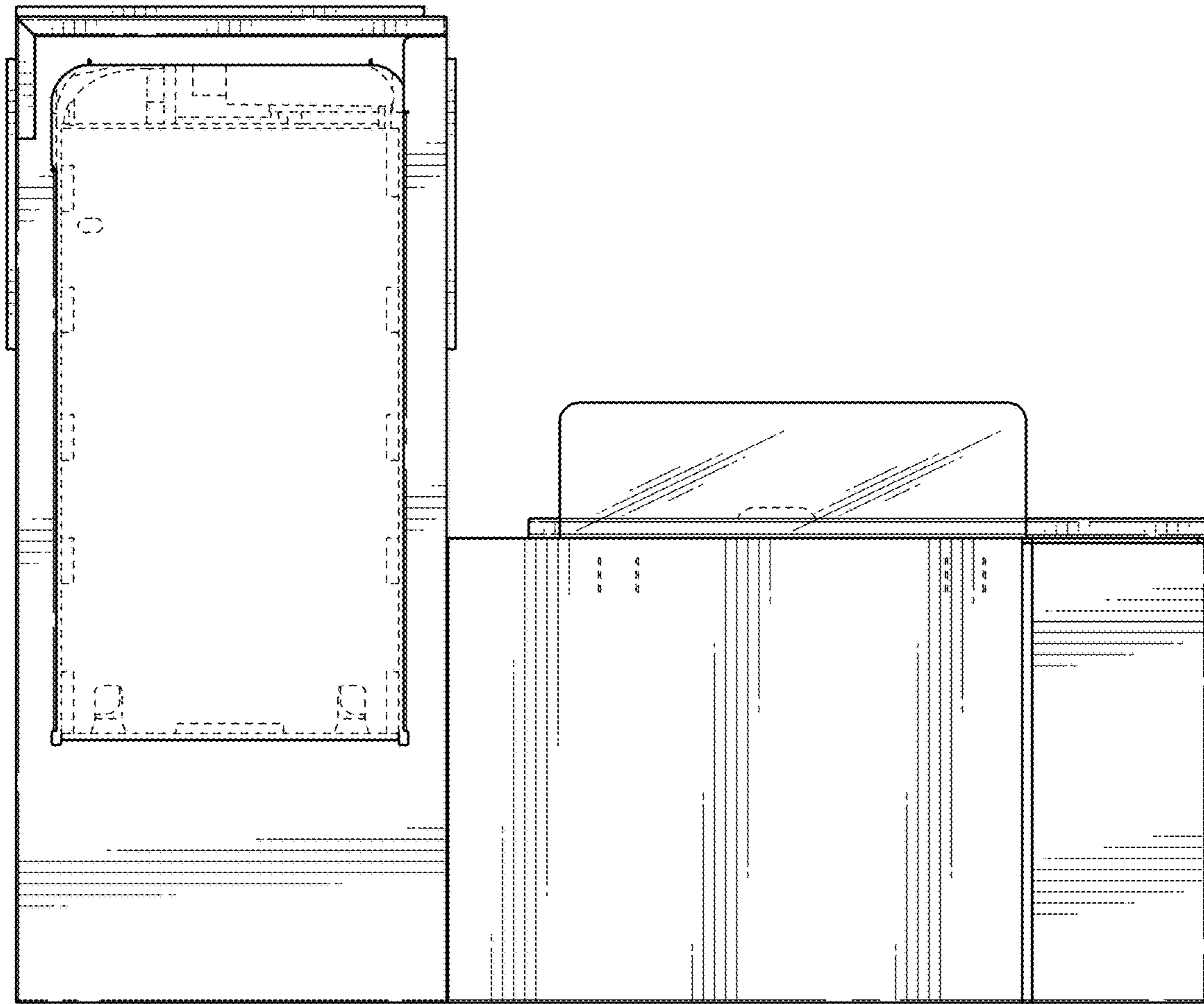


FIG. 14