



US00D808379S

(12) **United States Design Patent** (10) **Patent No.:** **US D808,379 S**
Simmons (45) **Date of Patent:** **** *Jan. 23, 2018**

(54) **CAMERA PHONE EXTENSION**
(71) Applicant: **Huey Aaron Simmons**, Marina Del Rey, CA (US)
(72) Inventor: **Huey Aaron Simmons**, Marina Del Rey, CA (US)
(*) Notice: This patent is subject to a terminal disclaimer.
(**) Term: **15 Years**
(21) Appl. No.: **29/536,309**
(22) Filed: **Aug. 14, 2015**
(51) **LOC (11) Cl.** **14-03**
(52) **U.S. Cl.**
USPC **D14/253**; D14/242
(58) **Field of Classification Search**
USPC D14/253, 251, 252, 447, 451, 452, 440, D14/434, 458, 432, 439, 457, 460, 238.1, D14/140, 142, 149, 217, 148, 140.8, D14/140.11, 209.1, 151, 140.9, 250, 238; D13/107, 108; D12/415, 223, 114, 420, D12/417, 407, 177; D3/218; D16/242-245, 250, 237, 203, 214, 219; D8/349; D6/675, 672, 673, 675.4, 553, D6/676, 310, 406.3, 406.4, 406.5, 406.6, D6/407, 567, 300, 682.3, 396; 248/459, 248/460; 224/483; D24/223; D9/457; 348/375, 376; D21/466
CPC B60R 2011/0008; B60R 11/02; B60R 11/0241; B60R 11/0258; B60R 11/0252; B60R 2011/0294; F16M 11/00; F16M 11/04; F16M 11/041; F16M 11/02; F16M 11/06; F16M 13/00; H04M 1/02; H04M 1/04; H04M 1/11; H04M 1/12; A47F 7/022; B62J 11/00; H05K 7/00; G03B 17/56

See application file for complete search history.

(56) **References Cited**

U.S. PATENT DOCUMENTS

D192,253 S *	2/1962	Kather	D21/466
D259,800 S *	7/1981	Gearhart, II	D21/731
D400,185 S *	10/1998	Martello	D13/173
D409,172 S *	5/1999	Castle	D14/458
D537,623 S *	3/2007	Dennis	D3/218
D588,425 S *	3/2009	Kelleghan	D8/18
D612,543 S *	3/2010	Marseille	D14/460
D623,404 S *	9/2010	Andre	D3/218
D639,780 S *	6/2011	Knafou	D10/65
D653,806 S *	2/2012	Bewick-Lieffort	D28/7
D655,497 S *	3/2012	Stanley	D3/218
D670,284 S *	11/2012	Choi	D14/253
D673,288 S *	12/2012	Pierce	D24/216
D678,387 S *	3/2013	Stump	D16/244
8,643,722 B2 *	2/2014	Solida	B62J 99/00 348/148
D715,791 S *	10/2014	Yu	D14/253
D720,344 S *	12/2014	Yu	D14/253
D730,887 S *	6/2015	Lindemann	D14/253
9,115,740 B2 *	8/2015	Chang	F16M 11/041
9,170,473 B1 *	10/2015	Li	G03B 17/561

(Continued)

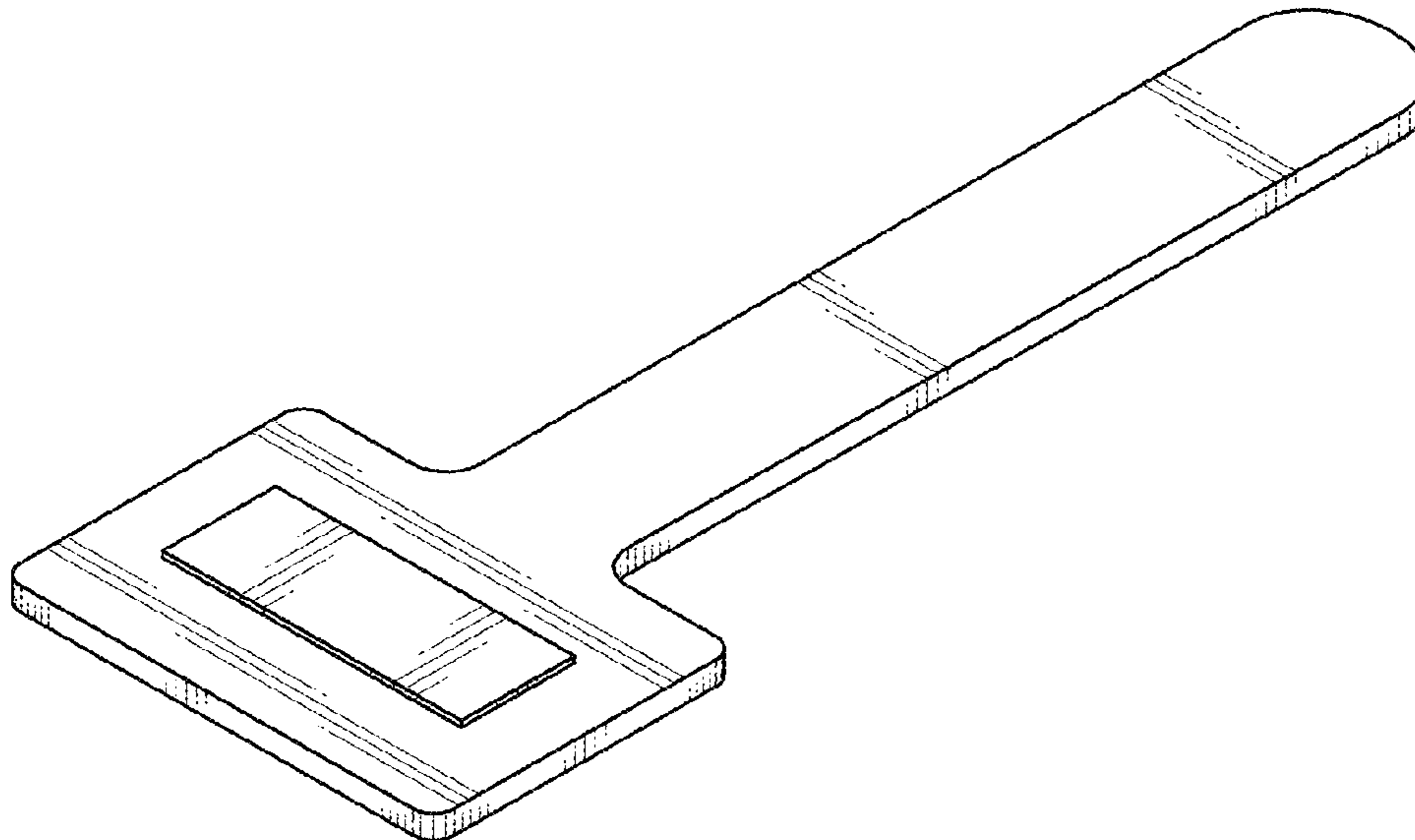
Primary Examiner — Susan Bennett Hattan
Assistant Examiner — Janice Hallmark
(74) *Attorney, Agent, or Firm* — Venjuris, P.C.

(57) **CLAIM**
The ornamental design for a camera phone extension, as shown and described.

DESCRIPTION

FIG. 1 is a top perspective view of a stabilizing camera phone extension;
FIG. 2 is a first end view thereof;
FIG. 3 is a second end view thereof;
FIG. 4 is a first side view thereof;
FIG. 5 is a second side view thereof;
FIG. 6 is a top view thereof; and,
FIG. 7 is a bottom view thereof.

1 Claim, 2 Drawing Sheets



(56)

References Cited

U.S. PATENT DOCUMENTS

D754,115 S * 4/2016 Lin D14/250
9,332,170 B1 * 5/2016 Khalili H04N 5/2251
D758,608 S * 6/2016 Behar D24/223
2010/0200710 A1 * 8/2010 Shenouda F16M 13/00
248/157
2013/0161967 A1 * 6/2013 Jarrett F16M 11/041
294/142
2013/0176412 A1 * 7/2013 Chen H04N 7/183
348/77
2014/0124521 A1 * 5/2014 Brown H05K 5/023
220/756
2014/0313358 A1 * 10/2014 Yu H04N 5/23222
348/211.7
2014/0354812 A1 * 12/2014 Schafer B60R 1/00
348/148

* cited by examiner

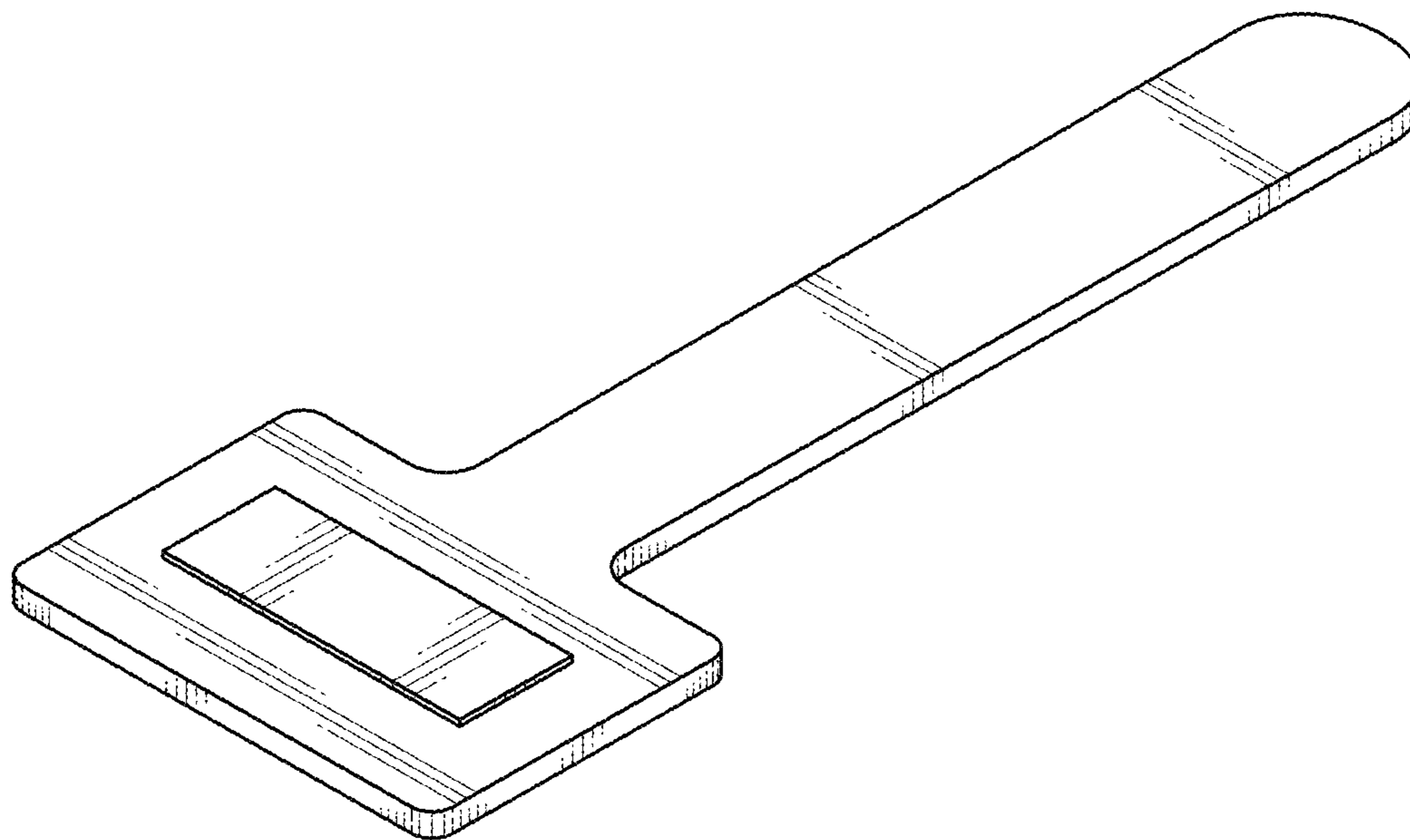


FIG. 1



FIG. 2

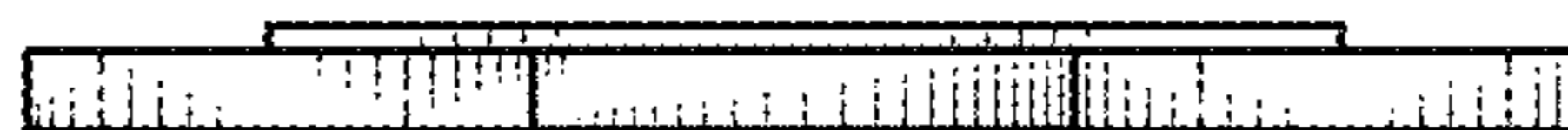


FIG. 3

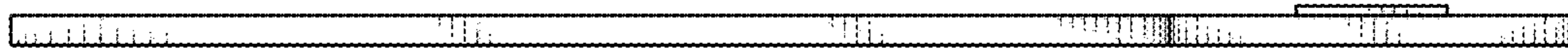


FIG. 4

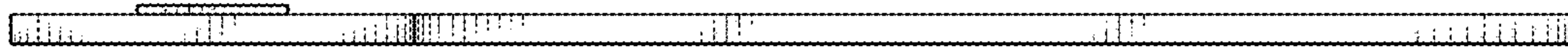


FIG. 5

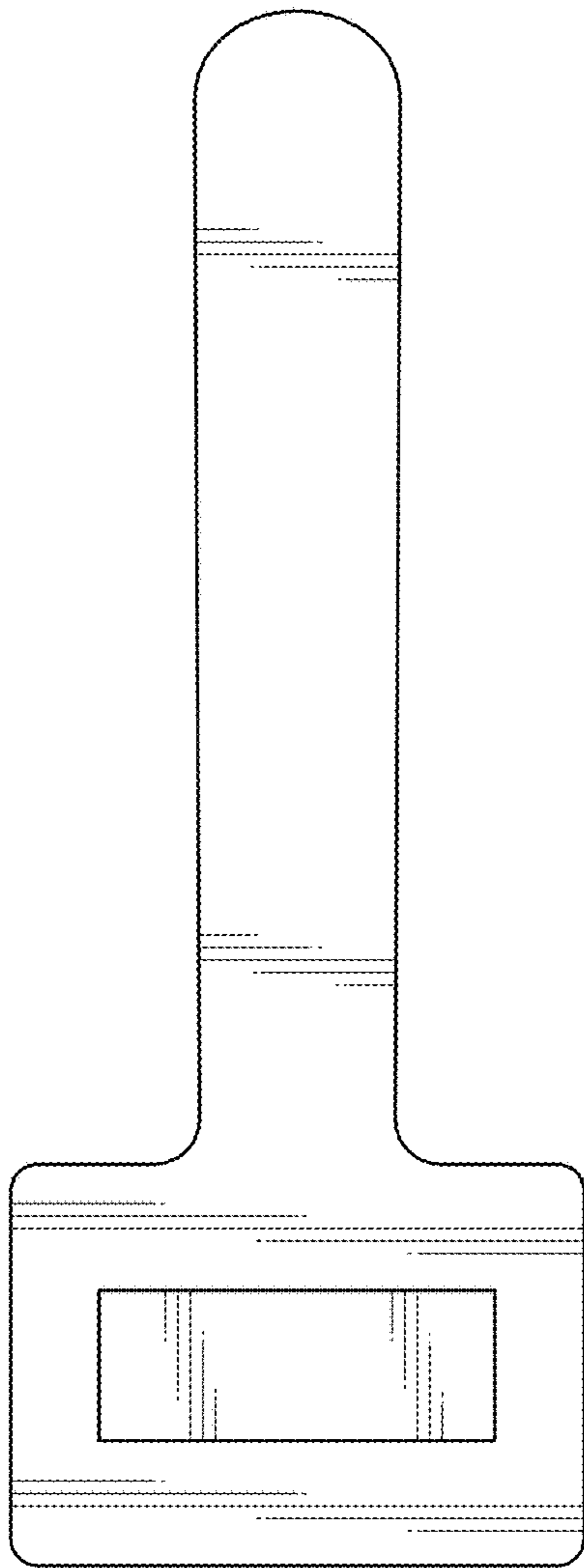


FIG. 6

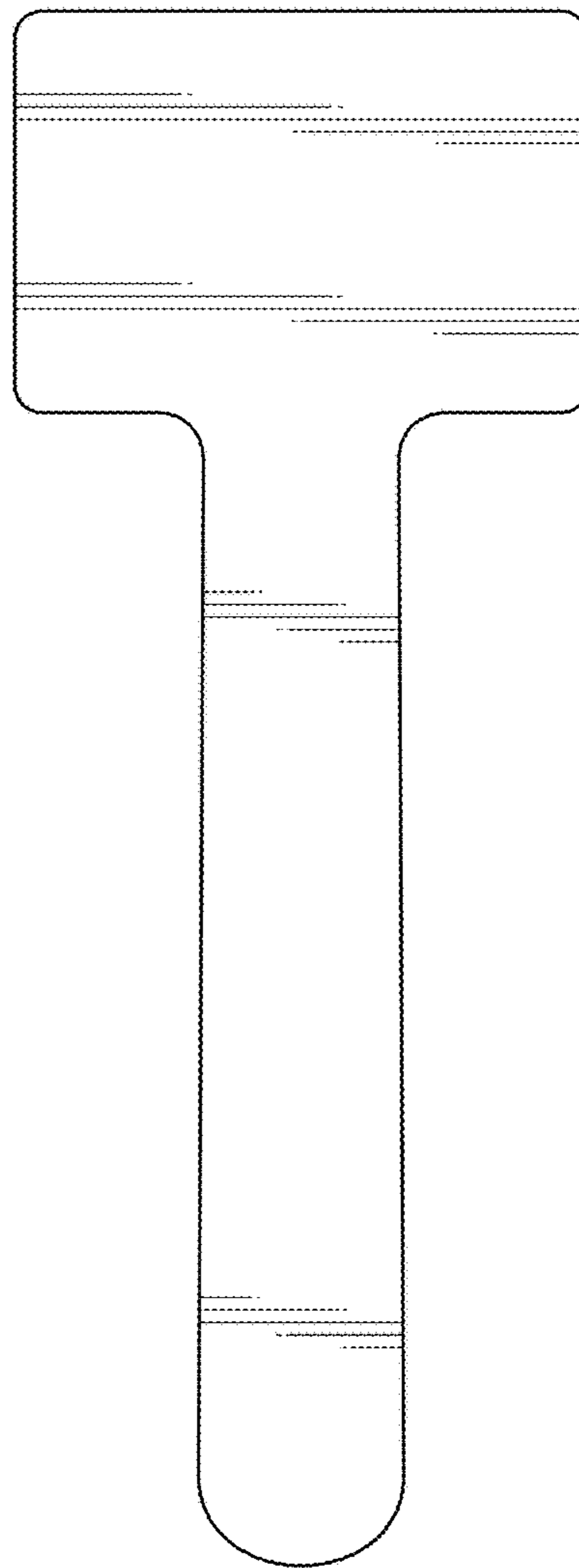


FIG. 7