



US00D808371S

(12) **United States Design Patent** (10) **Patent No.:** **US D808,371 S**
Kim (45) **Date of Patent:** **** Jan. 23, 2018**

(54) **CASE FOR ELECTRONIC DEVICES**

(71) Applicant: **Dae-Young Kim**, Seoul (KR)

(72) Inventor: **Dae-Young Kim**, Seoul (KR)

(73) Assignee: **SPIGEN KOREA CO., LTD.**,
Geumcheon-Gu, Seoul (KR)

(**) Term: **15 Years**

(21) Appl. No.: **29/539,318**

(22) Filed: **Sep. 12, 2015**

(51) **LOC (11) Cl.** **14-03**

(52) **U.S. Cl.**
USPC **D14/250**

(58) **Field of Classification Search**
USPC D14/250–253, 440, 203.3–203.7, 217,
D14/496, 248, 238.1, 240, 447, 230, 247,
D14/341, 345, 346, 439; D3/201, 218,
D3/269, 301, 273, 303; D13/103,
D13/107–108; 220/4.02; 248/309.1;
361/679.56; 379/426, 433.11, 455;
455/575.1, 575.8; 190/100; 206/305,
206/320

CPC . A45C 2011/002; A45C 11/00; A45C 13/002;
A45C 2011/003; H04M 1/0283; H04M
1/0202; H04M 1/185; H04B 1/3888

See application file for complete search history.

(56) **References Cited**

U.S. PATENT DOCUMENTS

D638,828 S	5/2011	Melanson
D638,829 S	5/2011	Melanson
D642,169 S	7/2011	Andre
D643,029 S	8/2011	Feng
D646,671 S	10/2011	Fathollahi
D646,673 S	10/2011	Fathollahi
D647,518 S	10/2011	Fathollahi
D662,923 S	7/2012	Piedra
8,249,679 B2	8/2012	Cui
D669,458 S	10/2012	Wilson

D670,279 S	11/2012	Veltz et al.
D673,545 S	1/2013	Magness
8,430,240 B2	4/2013	Kim
D681,613 S	5/2013	Magness

(Continued)

OTHER PUBLICATIONS

Spigen, Neo Hybrid Carbon Fiber Slim Fit Reinforced Bumper Protection Case for iPhone 6 Plus/6S Plus, “https://www.amazon.co.uk/dp/B010MVRNOM/ref=noref?_encoding=UTF8&psc=1&s=electronics”, available online Jul. 21, 2015 (retrieved Apr. 27, 2017).*

(Continued)

Primary Examiner — Sandra Snapp

Assistant Examiner — Holly E Thurman

(74) *Attorney, Agent, or Firm* — Lucem, PC; Heedong Chae

(57) **CLAIM**

The ornamental design for a case for electronic device, as shown and described.

DESCRIPTION

FIG. 1 is a rear-perspective view of a case for electronic device showing my new design;

FIG. 2 is a front-perspective view thereof;

FIG. 3 is a rear elevational view thereof;

FIG. 4 is a front elevational view thereof;

FIG. 5 is a right side elevational view thereof;

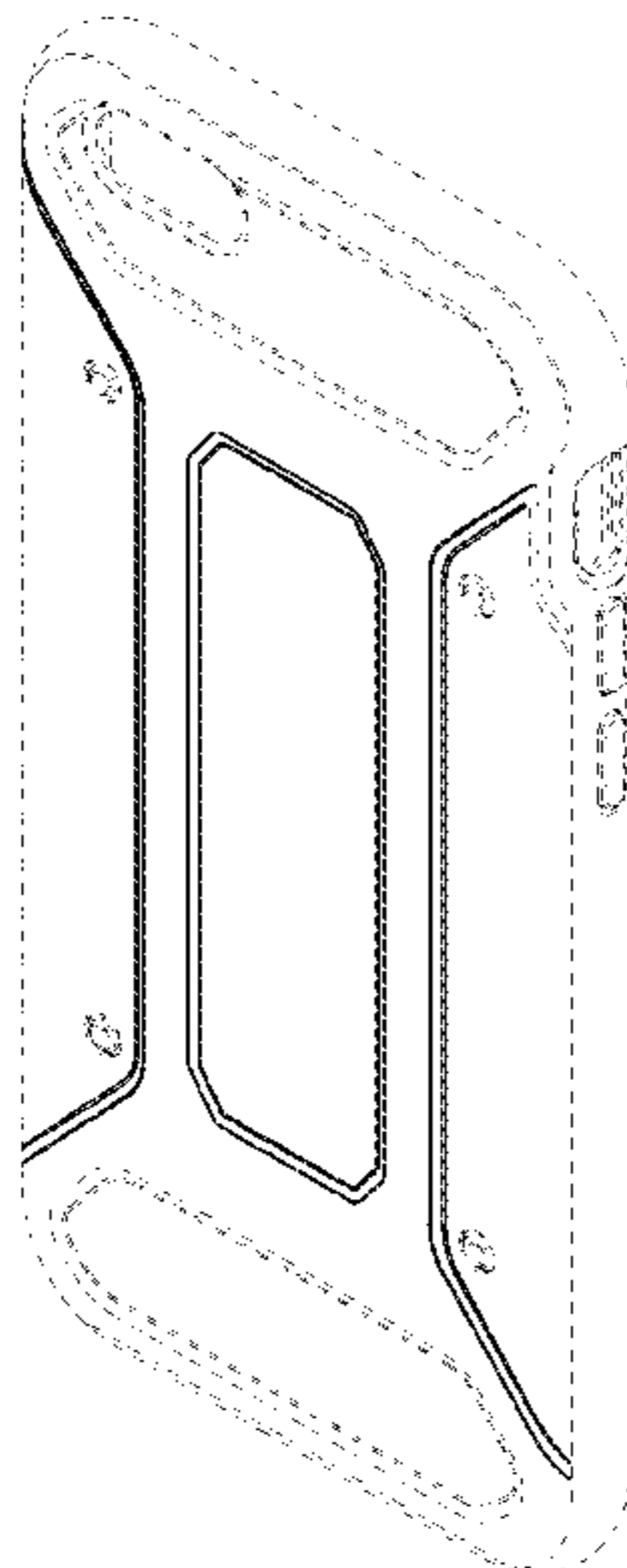
FIG. 6 is a left side elevational view thereof;

FIG. 7 is a top plan view thereof; and,

FIG. 8 is a bottom plan view thereof.

The broken line showing of environment is for illustrative purposes only and forms no part of the claimed design. Solid lines denote the claimed parts of the design. Any parts of the design that are bounded by solid lines, broken lines, or a combination thereof are disclaimed and form no part of the claimed design.

1 Claim, 8 Drawing Sheets



(56)

References Cited

U.S. PATENT DOCUMENTS

D681,623 S * 5/2013 Chang D14/250
 8,457,701 B2 6/2013 Diebel
 D685,358 S 7/2013 Armstrong
 D685,776 S 7/2013 Bau
 D695,744 S * 12/2013 Weller D14/440
 D696,656 S 12/2013 Murchison
 D698,343 S * 1/2014 Chang D14/250
 D701,211 S 3/2014 Ng
 D703,197 S 4/2014 Melanson
 D703,650 S 4/2014 Ehrlich
 D707,216 S * 6/2014 Lee D14/250
 D709,063 S * 7/2014 Chang D14/250
 D709,488 S * 7/2014 Bulkley D14/250
 D710,837 S * 8/2014 Chaney D14/250
 D718,292 S 11/2014 Hemesath
 D718,316 S * 11/2014 Veltz D14/440
 D718,755 S 12/2014 To
 D719,559 S 12/2014 Dukerschein
 D721,069 S * 1/2015 Havens D14/250
 D721,360 S 1/2015 Laffon de mazieres
 D724,093 S 3/2015 Dong
 D725,117 S * 3/2015 Melanson D14/440
 9,004,275 B2 4/2015 Lee
 D733,154 S * 6/2015 Armstrong D14/440
 D733,693 S 7/2015 Wang
 D736,205 S 8/2015 Park
 D737,276 S * 8/2015 Armstrong D14/440
 D741,279 S 10/2015 Tai
 D741,845 S 10/2015 Kim
 D743,389 S 11/2015 Akana
 9,185,813 B2 11/2015 Diebel
 D744,993 S 12/2015 Diebel
 D746,275 S 12/2015 Mohammad

D747,306 S 1/2016 Kim
 9,237,211 B2 1/2016 Tabe
 D748,614 S 2/2016 Ju
 D749,555 S 2/2016 Poon
 D749,567 S 2/2016 Lee
 9,247,795 B2 2/2016 Kim
 9,295,174 B2 3/2016 Witter
 9,300,768 B1 3/2016 Dining et al.
 9,301,414 B2 3/2016 Chao
 D753,099 S 4/2016 Kim
 D754,652 S 4/2016 Roberts et al.
 9,307,096 B2 4/2016 Hsu
 D756,343 S 5/2016 Wall et al.
 D761,239 S 7/2016 Kim
 D763,841 S 8/2016 Kim
 D765,633 S 9/2016 Northrup et al.
 D765,635 S 9/2016 Chang et al.
 D765,644 S 9/2016 Witter et al.
 D766,249 S 9/2016 Veltz
 D766,885 S 9/2016 Armstrong
 D767,553 S 9/2016 Fathollahi
 D768,123 S 10/2016 Armstrong
 D774,498 S 12/2016 Tao
 D775,112 S 12/2016 Hemesath
 D781,835 S 3/2017 Kim
 D781,838 S 3/2017 Kim

OTHER PUBLICATIONS

Spigen, Rugged Armor Case for iPhone 6s Plus—Black, “https://www.amazon.co.uk/Spigen-Resilient-Protection-Ultimate-protection/dp/B010MVR76Q/ref=pd_sim_107_3?_encoding=UTF8&psc=1&refRID=X9ZCG3RT1YSBZJ8P986D”, available online Jul. 21, 2015 (retrieved Apr. 27, 2017).*

* cited by examiner

FIG. 1

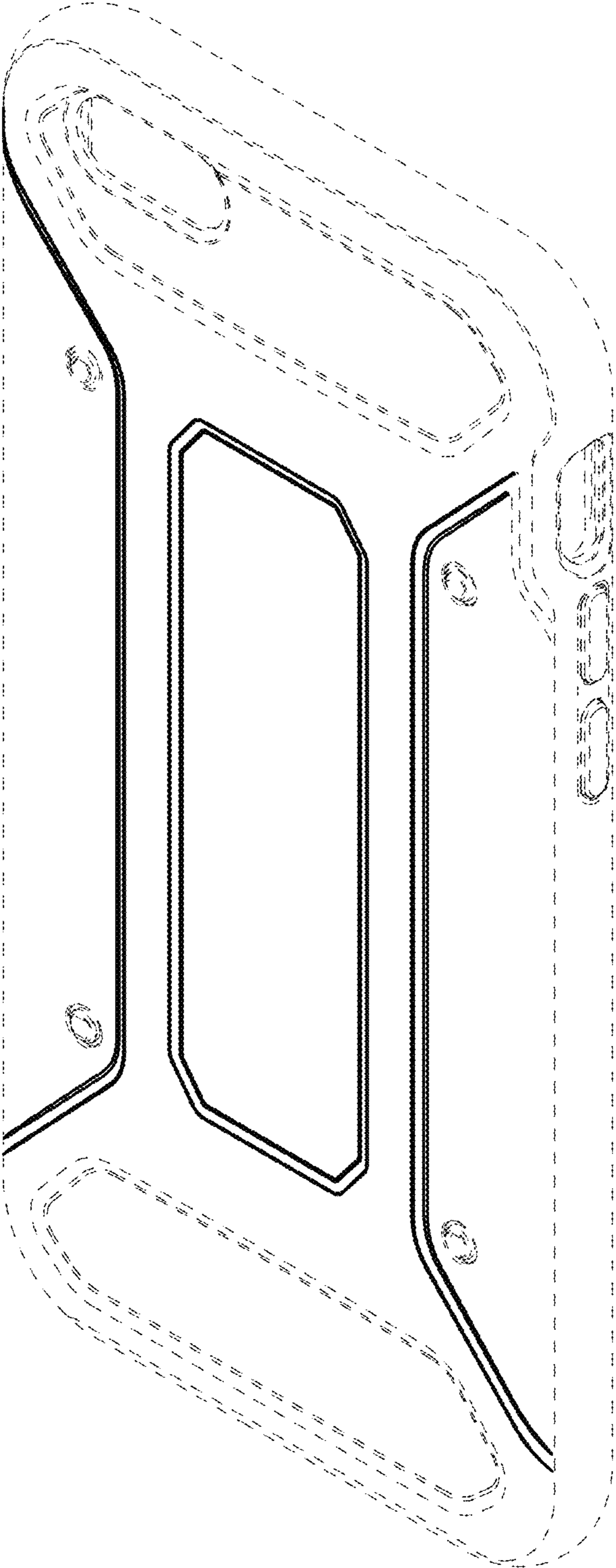


FIG. 2

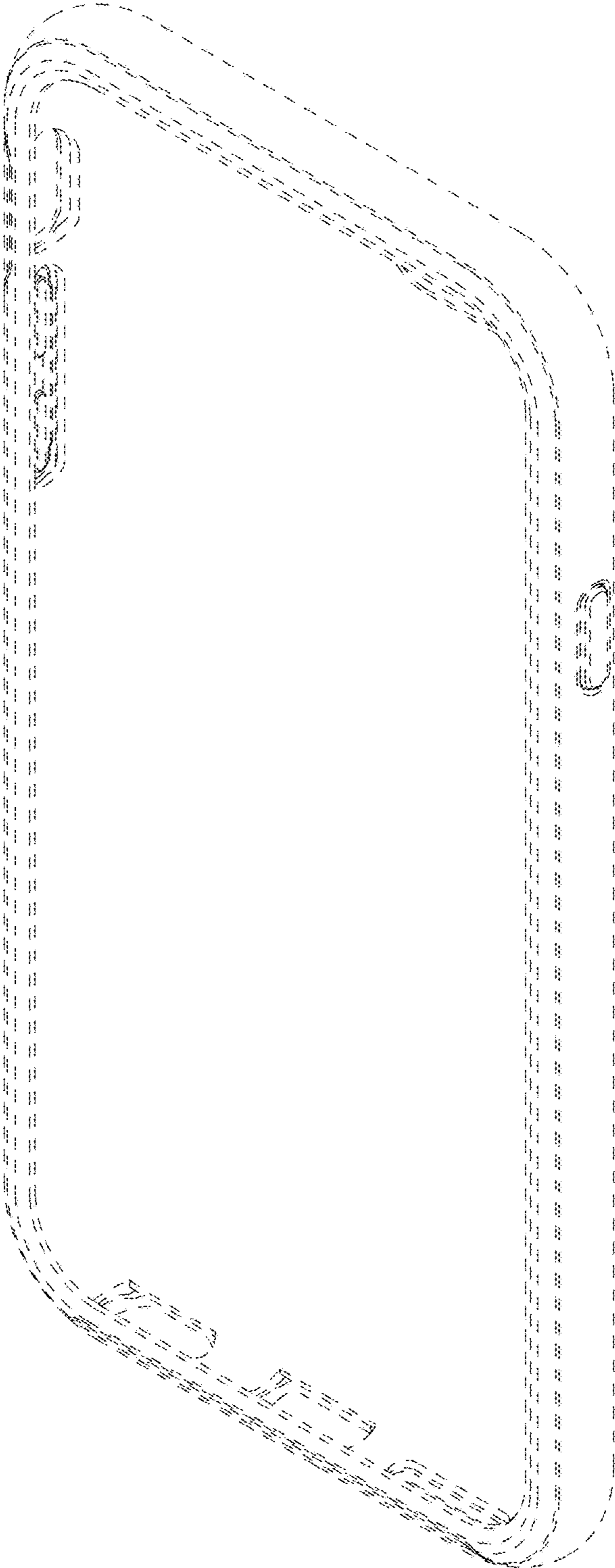


FIG. 3

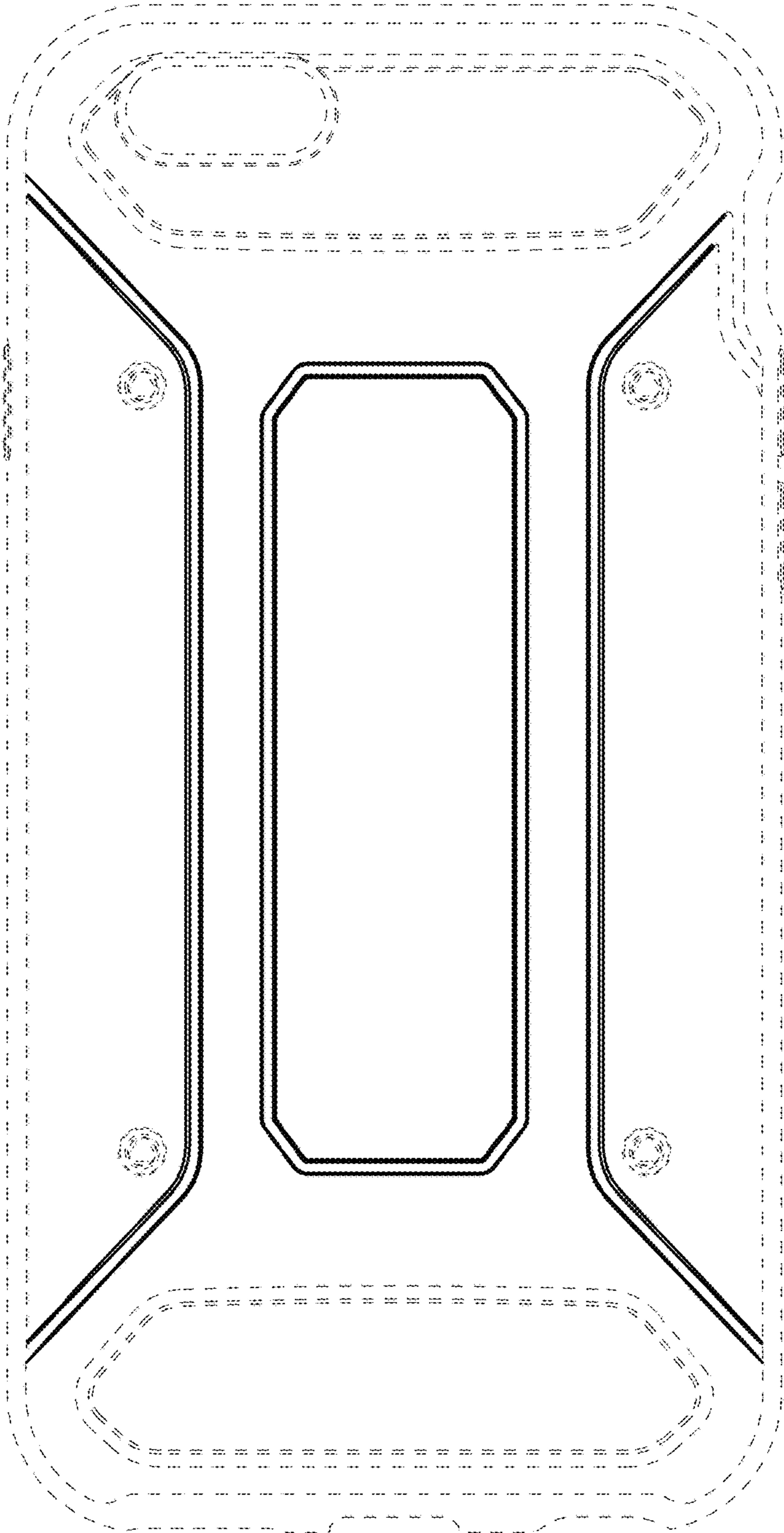


FIG. 4

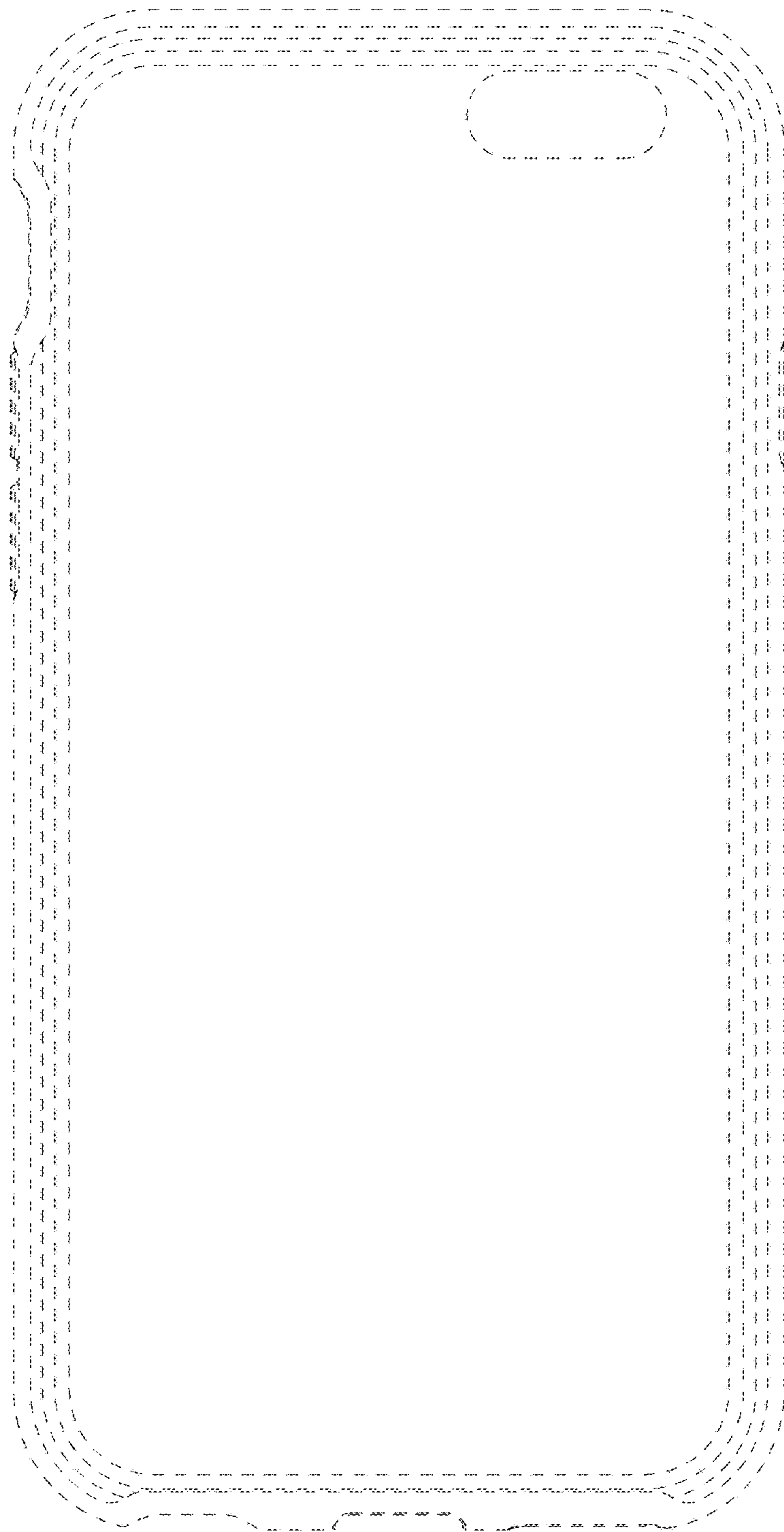


FIG. 5

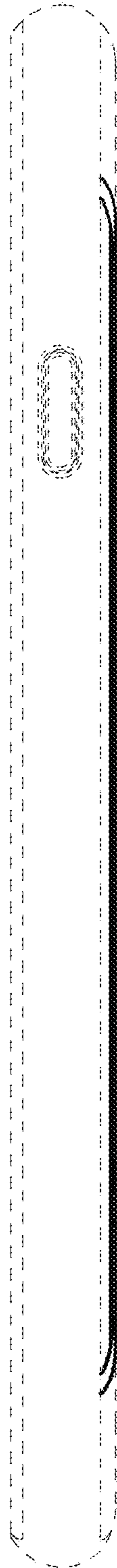


FIG. 6

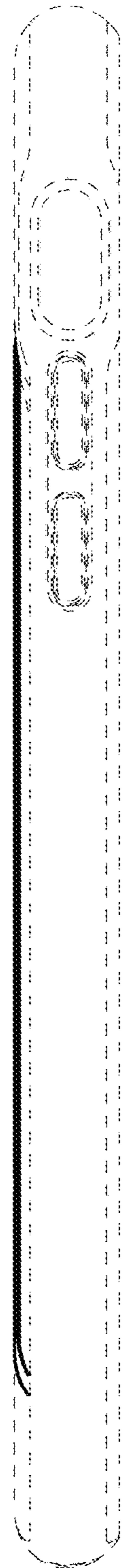


FIG. 7



FIG. 8

