



US00D808369S

(12) **United States Design Patent** (10) **Patent No.:** **US D808,369 S**
Kim (45) **Date of Patent:** **** *Jan. 23, 2018**

(54) **CASE FOR ELECTRONIC DEVICE**

(71) Applicant: **Dae-Young Kim**, Seoul (KR)

(72) Inventor: **Dae-Young Kim**, Seoul (KR)

(73) Assignee: **SPIGEN KOREA CO., LTD.**,
Geumcheon-Gu, Seoul (KR)

(*) Notice: This patent is subject to a terminal disclaimer.

(**) Term: **15 Years**

(21) Appl. No.: **29/536,238**

(22) Filed: **Aug. 14, 2015**

(51) **LOC (11) Cl.** **14-03**

(52) **U.S. Cl.**

USPC **D14/250**

(58) **Field of Classification Search**

USPC D14/250–253, 440, 203.3–203.7, 217,
D14/496, 248, 238.1, 240, 447, 230, 247,
D14/341, 345, 346, 439; D3/201, 218,
D3/269, 301, 273, 303; D13/103,
D13/107–108; 220/4.02; 248/309.1;
361/679.56; 379/426, 433.11, 455;
455/575.1, 575.8; 190/100; 206/305,
206/320

CPC . A45C 2011/002; A45C 11/00; A45C 13/002;
A45C 2011/003; H04M 1/0283; H04M
1/0202; H04M 1/185; H04B 1/3888

See application file for complete search history.

(56) **References Cited**

U.S. PATENT DOCUMENTS

D638,828 S 5/2011 Melanson
D638,829 S 5/2011 Melanson
D642,169 S 7/2011 Andre
D643,029 S 8/2011 Feng

(Continued)

OTHER PUBLICATIONS

Spigen, Neo Hybrid Carbon Fiber Slim Fit Reinforced Bumper Protection Case for iPhone 6 Plus/6S Plus, “https://www.amazon.co.uk/dp/B010MVRNOM/ref=noref?_encoding=UTF8&psc=1&s=electronics”, available online Jul. 21, 2015 (retrieved Apr. 27, 2017).*

(Continued)

Primary Examiner — Sandra Snapp

Assistant Examiner — Holly E Thurman

(74) *Attorney, Agent, or Firm* — Lucem, PC; Heedong Chae

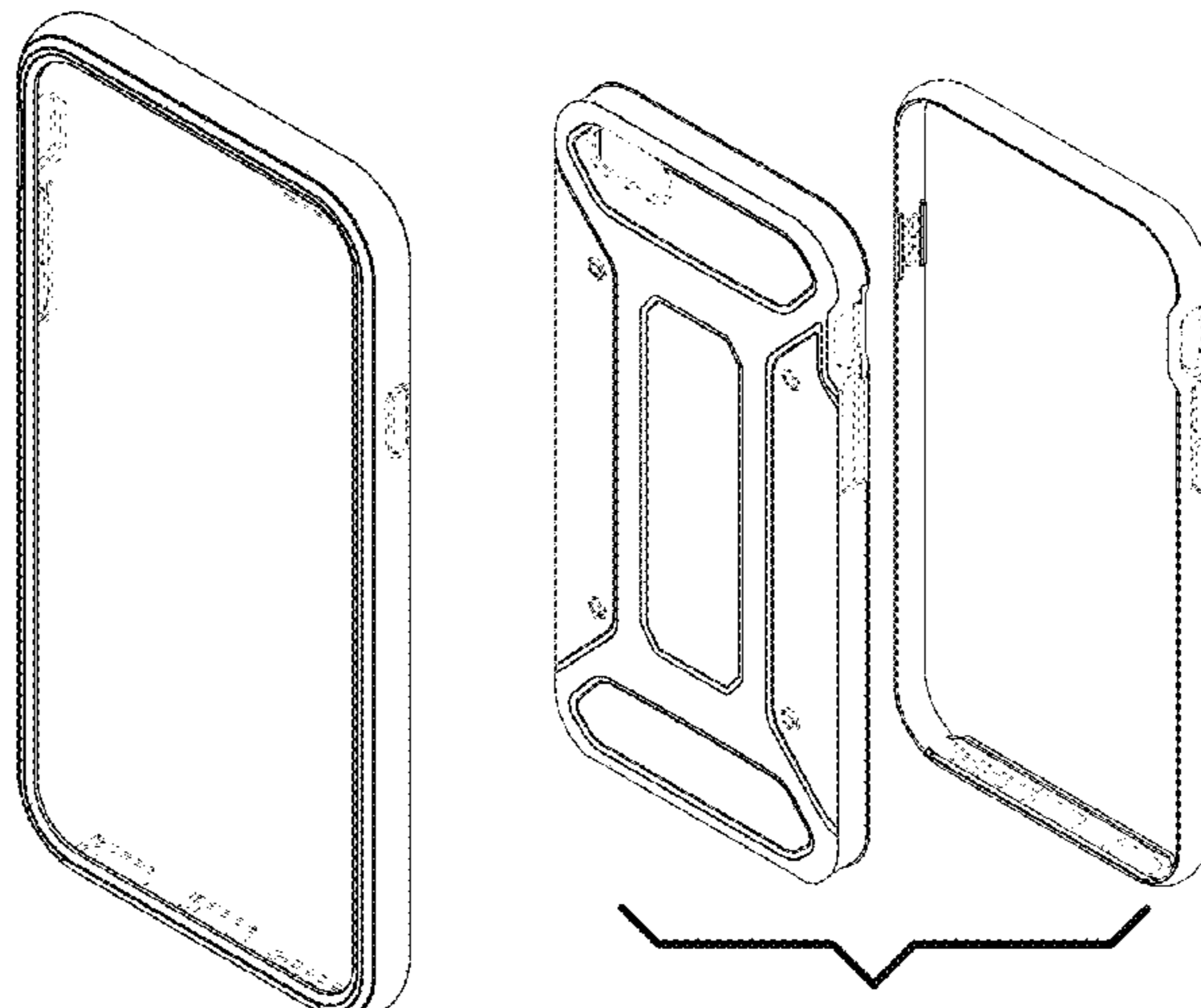
(57) **CLAIM**

The ornamental design for a case for electronic device, as shown and described.

DESCRIPTION

FIG. 1 is a front perspective view of a case for electronic device, comprised of an inner shell and outer frame, showing my new design in an assembled state; FIG. 2 is a rear perspective view thereof; FIG. 3 is a front elevational view thereof; FIG. 4 is a rear elevational view thereof; FIG. 5 is a left side elevational view thereof; FIG. 6 is a right side elevational view thereof; FIG. 7 is a top plan view thereof; FIG. 8 is a bottom plan view thereof; FIG. 9 is an exploded front perspective view thereof, showing an inner shell and an outer frame of the case for electronic device separated for clarity of disclosure; FIG. 10 is an exploded rear perspective view thereof; FIG. 11 is a front perspective view showing only the inner shell for clarity of disclosure; FIG. 12 is a rear perspective view thereof; FIG. 13 is a front perspective view showing only the outer frame for clarity of disclosure; and, FIG. 14 is a rear perspective view thereof. The broken line showing of environment is for illustrative purposes only and forms no part of the claimed design.

1 Claim, 14 Drawing Sheets



(56)

References Cited

U.S. PATENT DOCUMENTS

D646,671	S	10/2011	Fathollahi	
D646,673	S	10/2011	Fathollahi	
D647,518	S	10/2011	Fathollahi	
D662,923	S	7/2012	Piedra	
8,249,679	B2	8/2012	Cui	
D669,458	S	10/2012	Wilson	
D670,279	S	11/2012	Veltz	
D673,545	S	1/2013	Magness	
D674,789	S *	1/2013	Wen	A45C 11/00 D14/250
8,430,240	B2	4/2013	Kim	
D681,613	S	5/2013	Magness	
D681,623	S *	5/2013	Chang	D14/250
8,457,701	B2	6/2013	Diebel	
D685,358	S	7/2013	Armstrong	
D685,776	S	7/2013	Bau	
D695,744	S *	12/2013	Weller	D14/440
D696,656	S	12/2013	Murchison	
D698,343	S *	1/2014	Chang	D14/250
D701,211	S	3/2014	Ng	
D703,197	S	4/2014	Melanson	
D703,650	S	4/2014	Ehrlich	
D707,216	S *	6/2014	Lee	D14/250
D709,063	S *	7/2014	Chang	D14/250
D709,488	S *	7/2014	Bulkley	D14/250
D710,837	S *	8/2014	Chaney	D14/250
D718,292	S	11/2014	Hemesath	
D718,316	S *	11/2014	Veltz	D14/440
D718,755	S	12/2014	To	
D719,559	S	12/2014	Dukerschein	
D721,069	S *	1/2015	Havens	D14/250
D721,360	S	1/2015	Laffon de Mazieres	
D724,093	S	3/2015	Dong	
D725,117	S *	3/2015	Melanson	D14/440
9,004,275	B2	4/2015	Lee	
D733,154	S *	6/2015	Armstrong	D14/440
D733,693	S	7/2015	Wang	
D736,205	S	8/2015	Park	
D737,276	S *	8/2015	Armstrong	D14/440

D741,279	S	10/2015	Tai	
D741,845	S	10/2015	Kim	
D743,389	S	11/2015	Akana	
9,185,813	B2	11/2015	Diebel	
D744,993	S	12/2015	Diebel	
D746,275	S	12/2015	Mohammad	
D747,306	S	1/2016	Kim	
9,237,211	B2	1/2016	Akwo	
D748,614	S	2/2016	Ju	
D749,555	S	2/2016	Poon	
D749,567	S	2/2016	Lee	
9,247,795	B2	2/2016	Kim	
9,295,174	B2	3/2016	Witter	
9,300,768	B1	3/2016	Dining et al.	
9,301,414	B2	3/2016	Chao	
D753,099	S	4/2016	Kim	
D754,652	S	4/2016	Roberts et al.	
9,307,096	B2	4/2016	Hsu	
D756,343	S	5/2016	Wall et al.	
D761,239	S	7/2016	Kim	
D763,841	S	8/2016	Kim	
D765,633	S	9/2016	Northrup et al.	
D765,635	S	9/2016	Chang et al.	
D765,644	S	9/2016	Witter et al.	
D766,249	S	9/2016	Veltz	
D766,885	S	9/2016	Armstrong	
D767,553	S	9/2016	Fathollahi	
D768,123	S	10/2016	Armstrong	
D774,498	S	12/2016	Tao	
D775,112	S	12/2016	Hemesath	
D781,835	S	3/2017	Kim	
D781,838	S	3/2017	Kim	

OTHER PUBLICATIONS

Spigen, Rugged Armor Case for iPhone 6s Plus—Black, “https://www.amazon.co.uk/Spigen-Resilient-Protection-Ultimate-protection/dp/B010MVR76Q/ref=pd_sim_107_3?_encoding=UTF8&psc=1&refRID=X9ZCG3RT1YSBZJ8P986D”, available online Jul. 21, 2015 (retrieved Apr. 27, 2017).*

* cited by examiner

FIG. 1

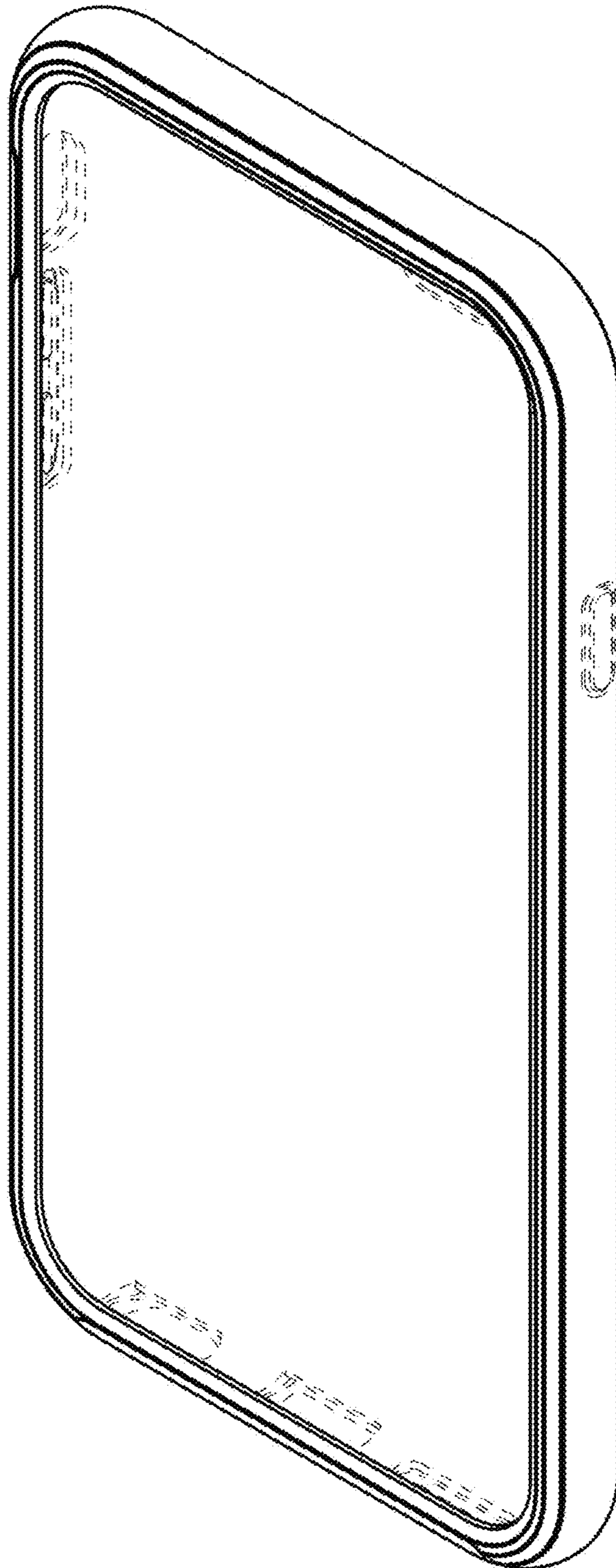


FIG. 2

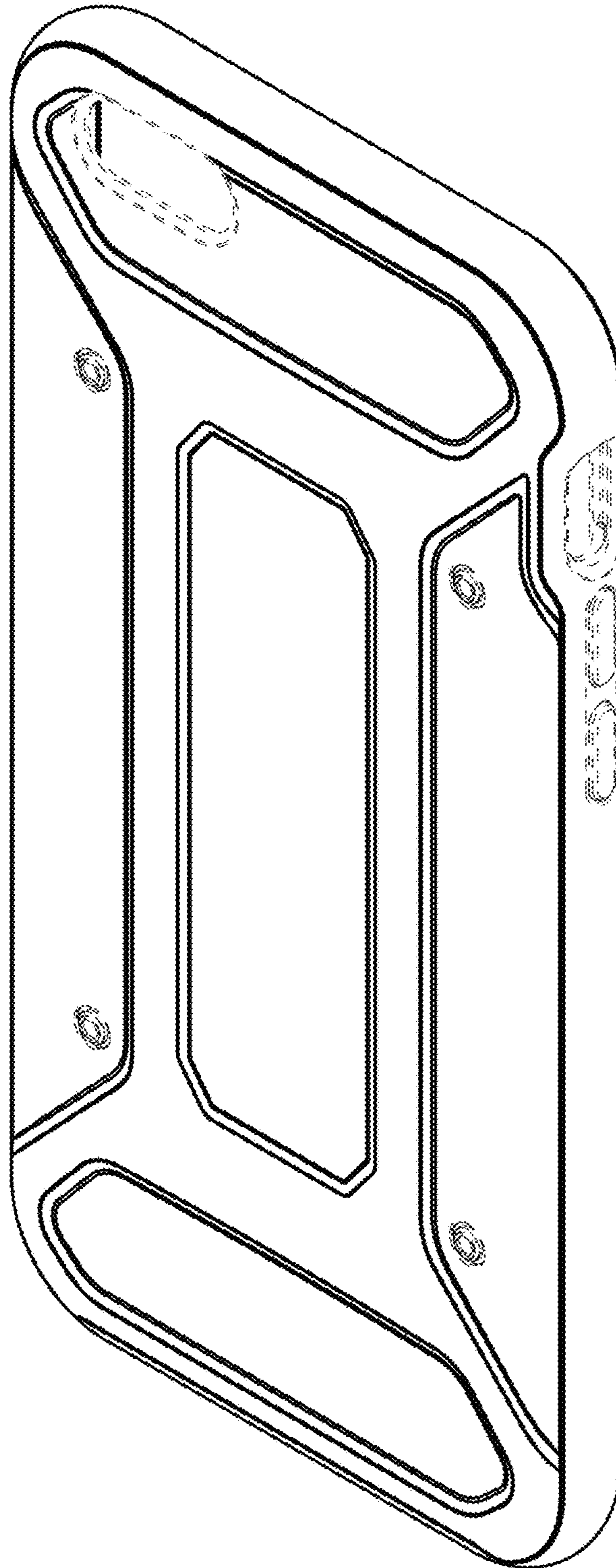


FIG. 3

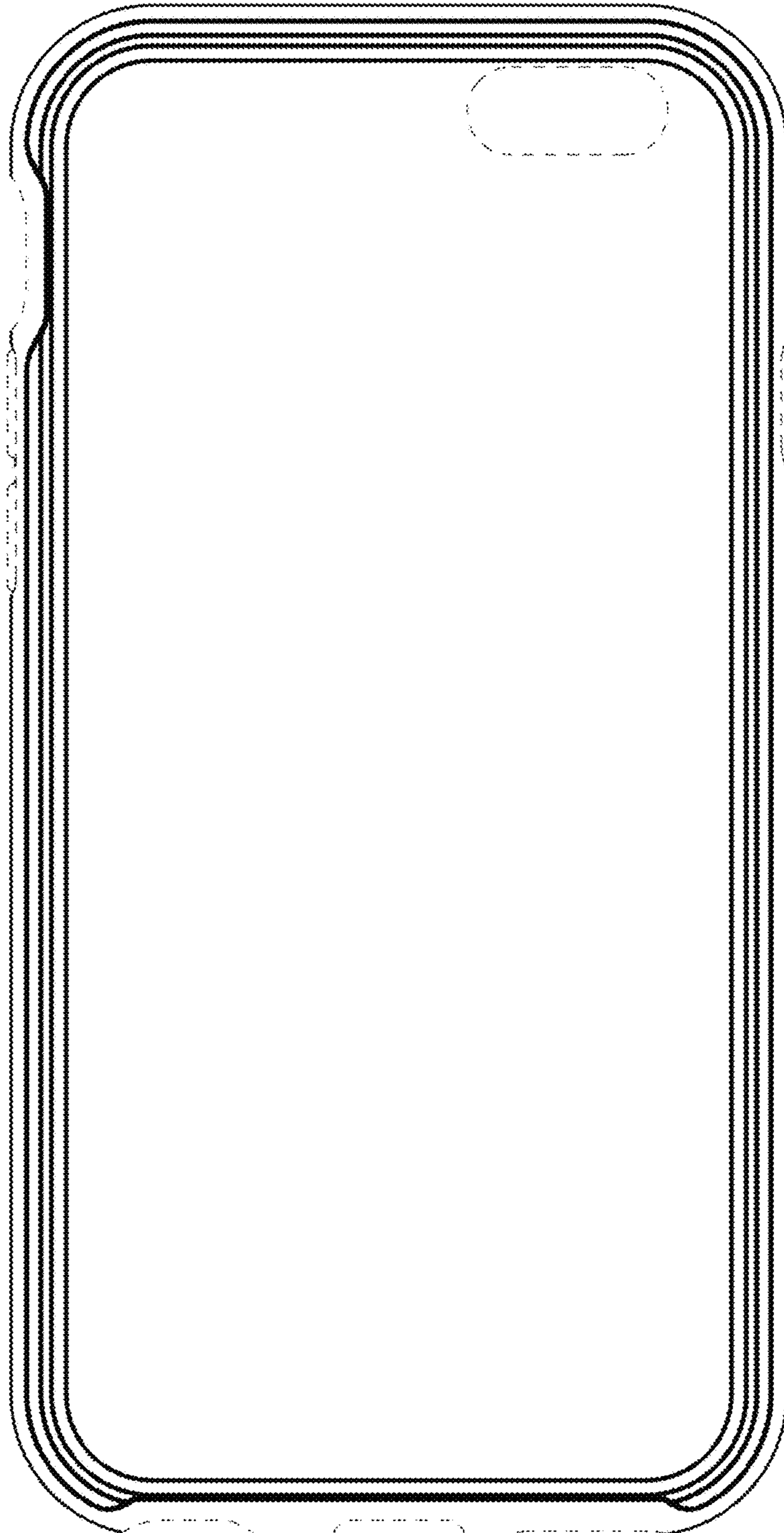


FIG. 4

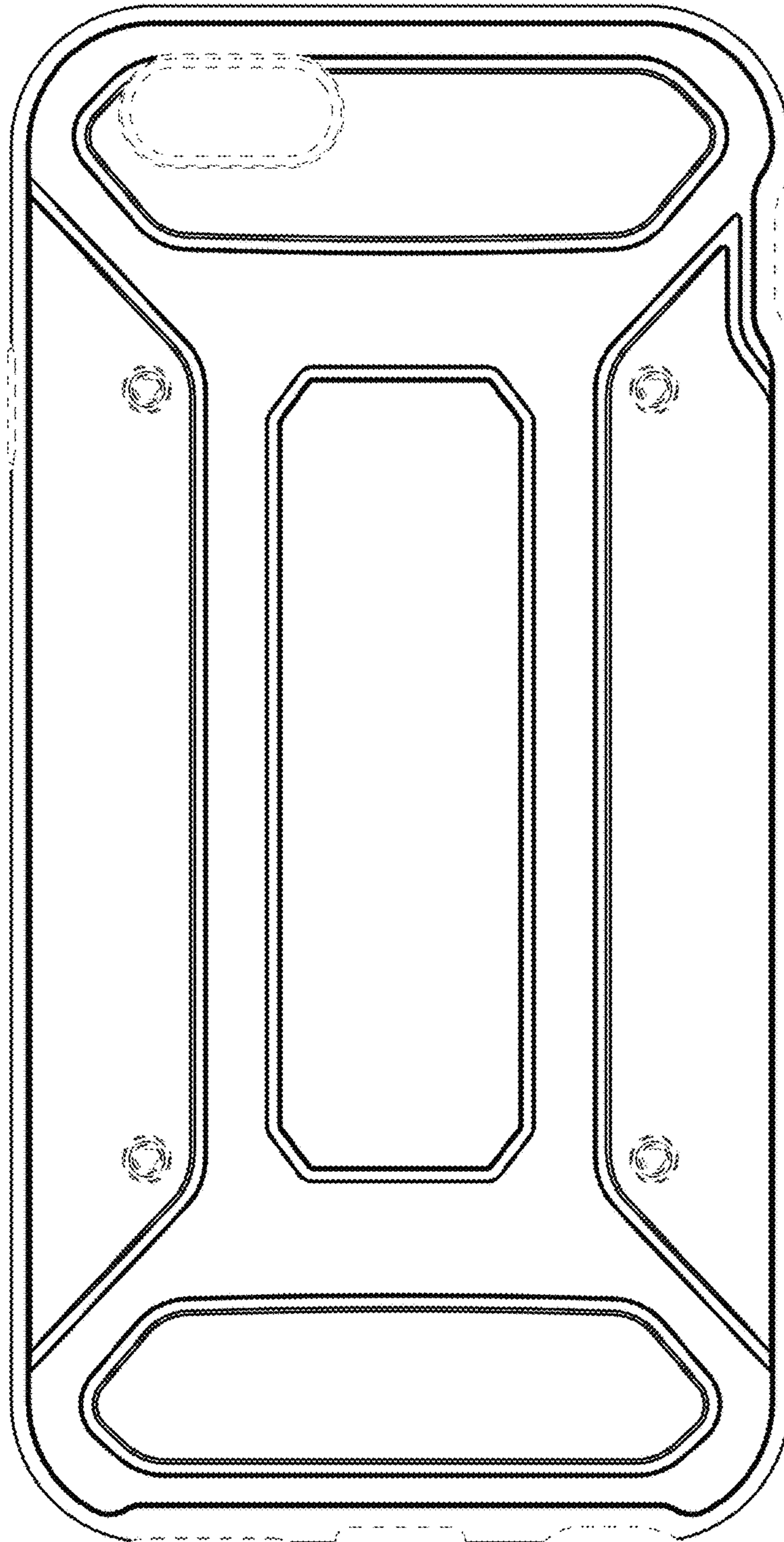


FIG. 5

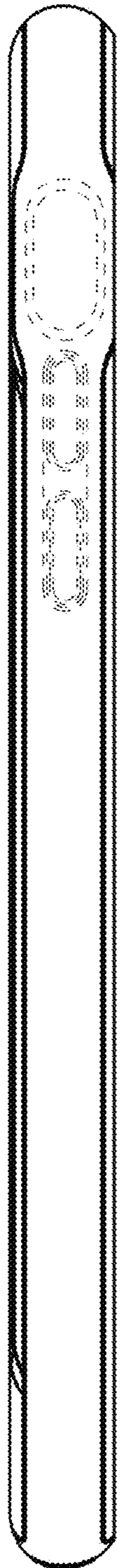


FIG. 6

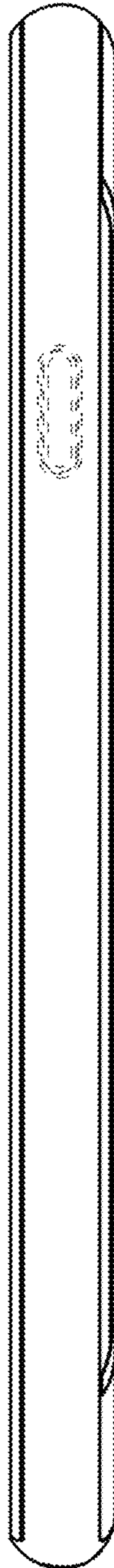


FIG. 7



FIG. 8

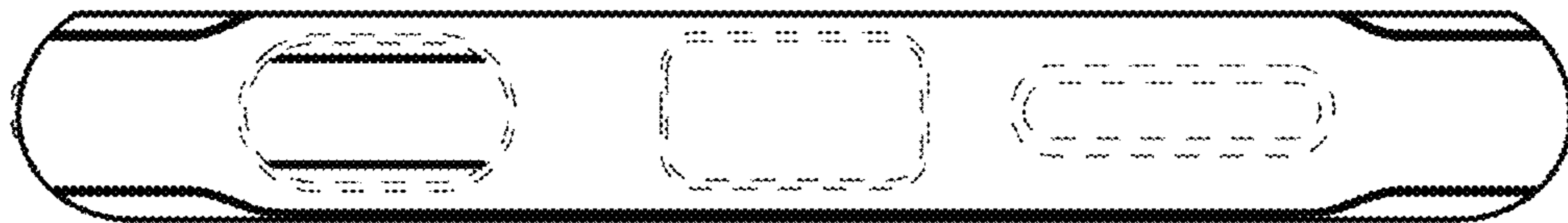


FIG. 9

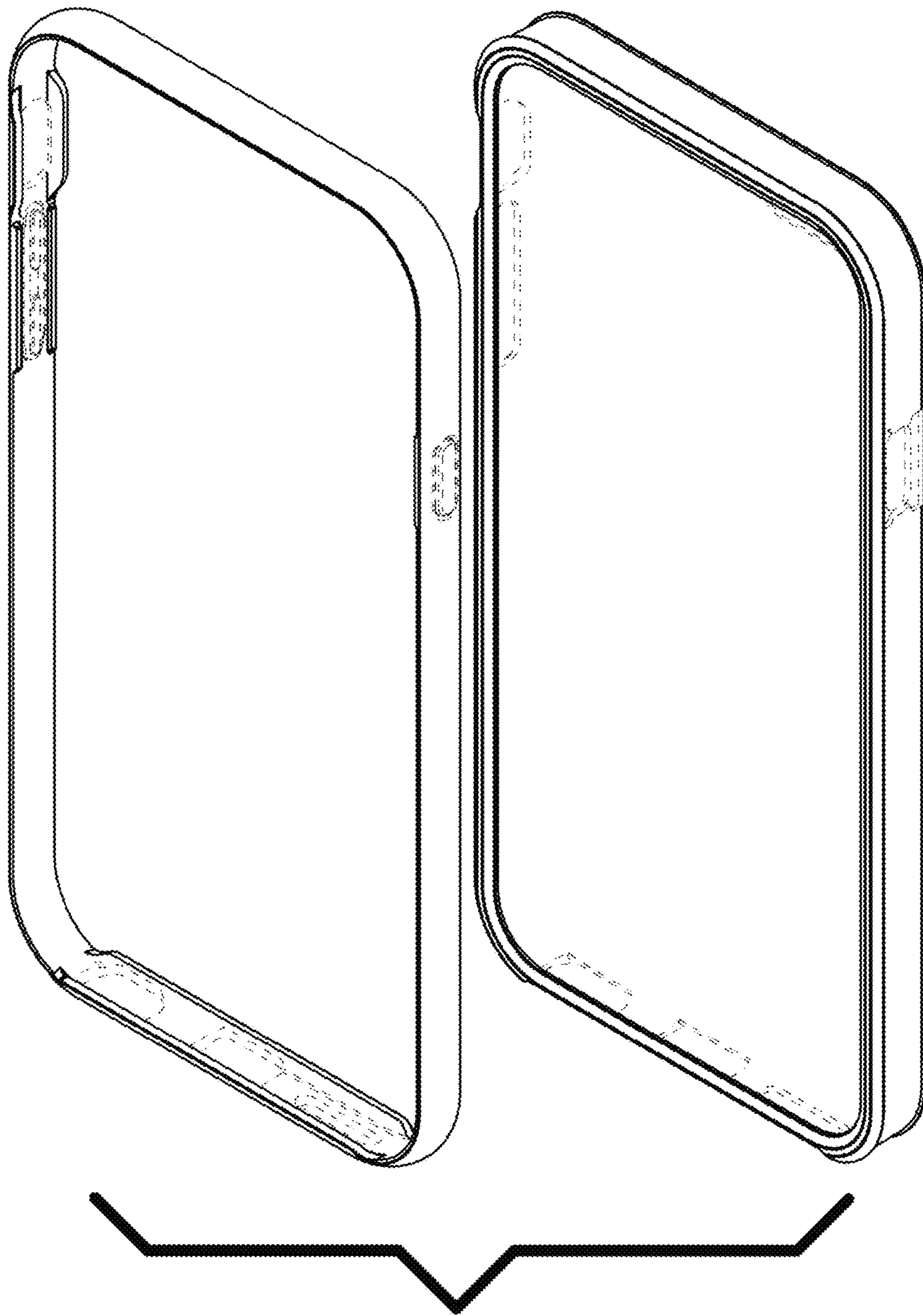


FIG. 10

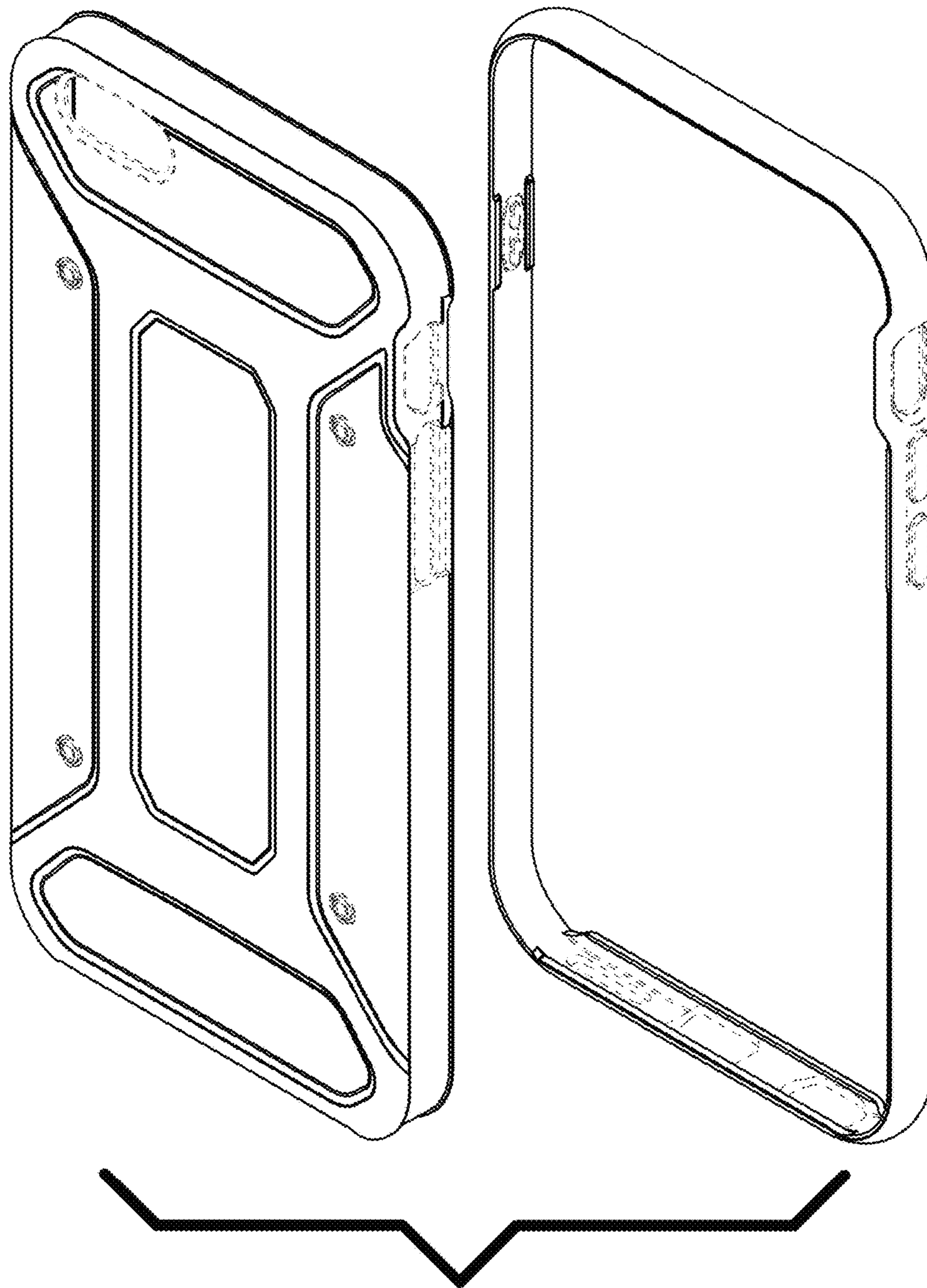


FIG. 11

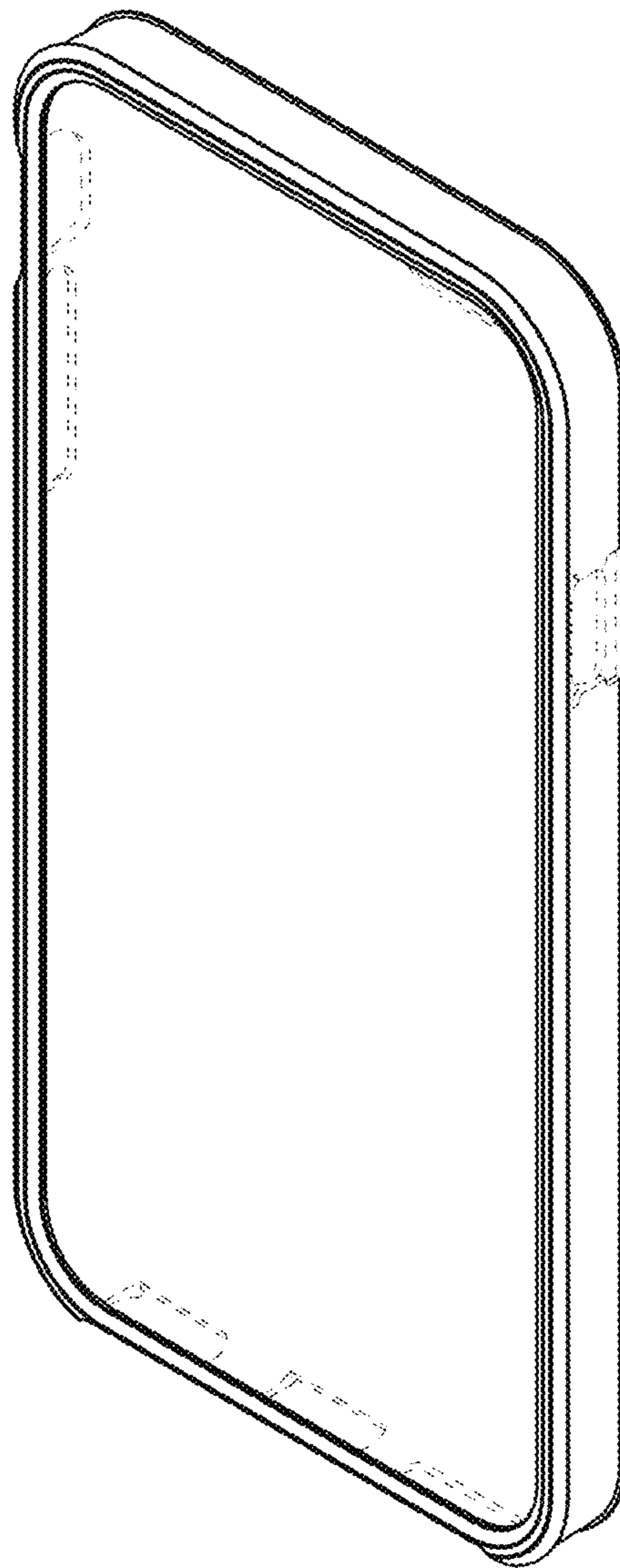


FIG. 12

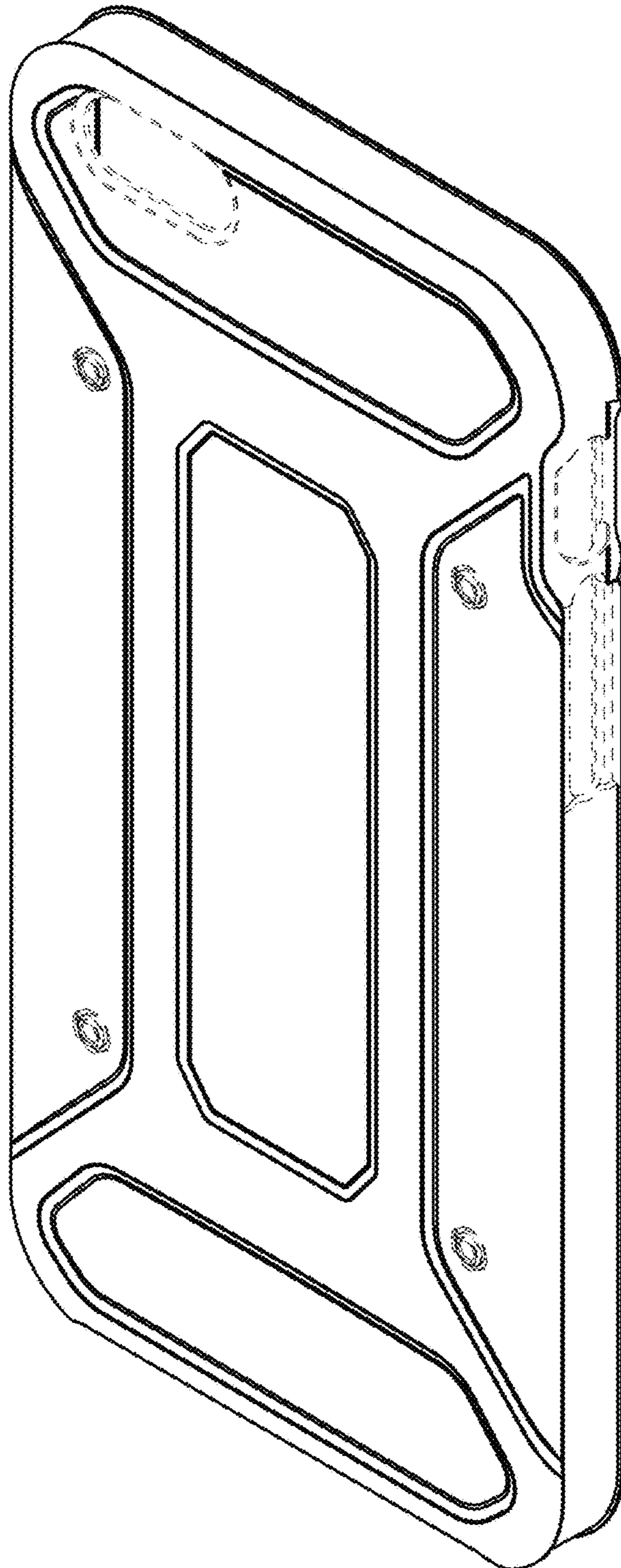


FIG. 13

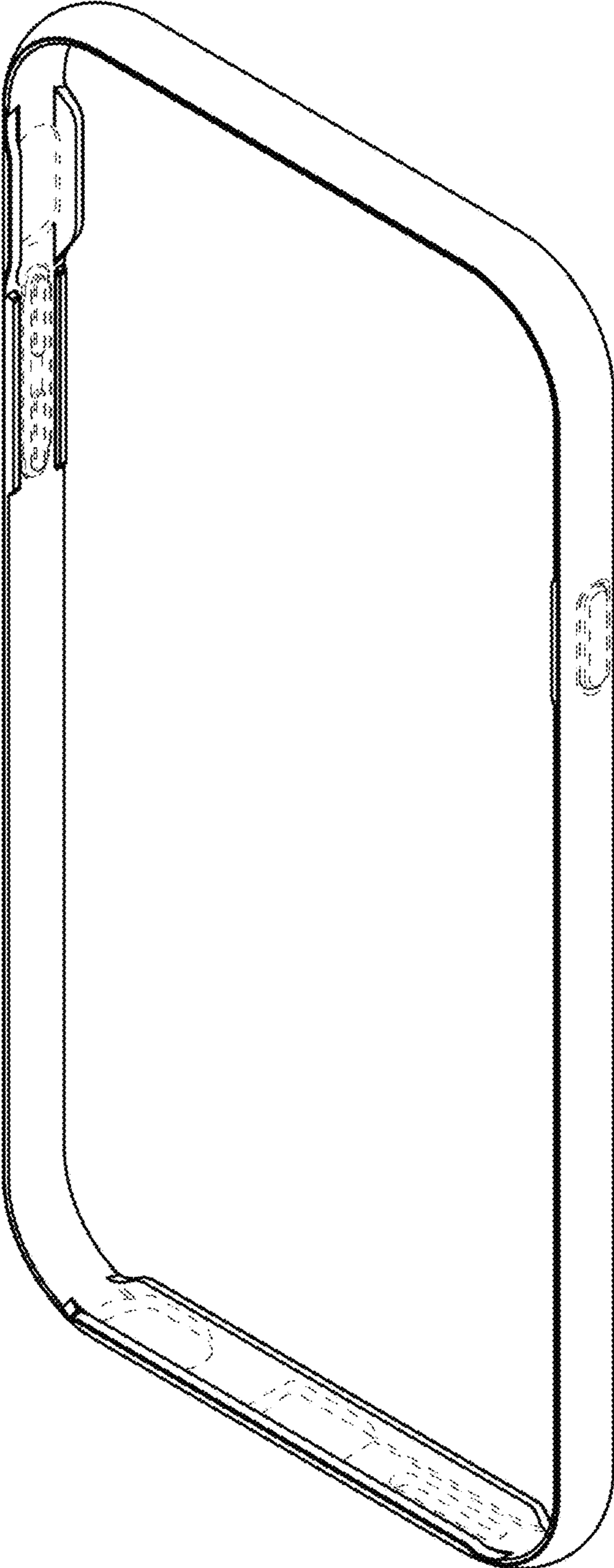


FIG. 14

