



US00D808367S

(12) **United States Design Patent** (10) **Patent No.:** **US D808,367 S**
Wengreen (45) **Date of Patent:** **** Jan. 23, 2018**

(54) **MOUNT FOR ELECTRONIC DEVICES**
(71) Applicant: **Innovelis, Inc.**, Sammamish, WA (US)
(72) Inventor: **Eric John Wengreen**, Sammamish, WA (US)
(73) Assignee: **Innovelis, Inc.**, Sammamish, WA (US)
(**) Term: **15 Years**
(21) Appl. No.: **29/593,760**
(22) Filed: **Feb. 13, 2017**

3,477,679 A 11/1969 Lovitz
3,990,617 A 11/1976 Carter
D242,766 S 12/1976 Neece
4,067,532 A 1/1978 Viteretto
4,158,450 A 6/1979 Suzuki
4,467,244 A 8/1984 Dickie
4,519,656 A 5/1985 Raz
D280,466 S 9/1985 Seltzer
D282,034 S 1/1986 Janke
4,602,761 A 7/1986 Carter
4,697,780 A 10/1987 Wenkman
4,746,042 A 5/1988 King

(Continued)

Related U.S. Application Data

(63) Continuation of application No. 15/424,837, filed on Feb. 4, 2017.
(51) **LOC (11) Cl.** **14-03**
(52) **U.S. Cl.**
USPC **D14/238.1**
(58) **Field of Classification Search**
USPC D14/434, 440, 447, 251-253, 432, 451, D14/140, 142, 496, 203.1-203.8; D13/103, 107, 108, 118, 184; D21/324, D21/333; 273/148 B; 463/1, 29-35, 46, 463/47; 345/156-164
CPC H02J 7/00; G06F 16/00; G06F 1/1616; G06F 1/1828; G96F 1/266
See application file for complete search history.

References Cited

U.S. PATENT DOCUMENTS

1,618,573 A 2/1927 Cole
2,584,646 A 2/1952 Wagstaff
3,091,378 A 5/1963 O'Dwyer
D196,542 S 10/1963 Zelnick
3,176,950 A 4/1965 Hittesdorf
3,279,009 A 10/1966 Teasdale
3,294,298 A 12/1966 Danielson

OTHER PUBLICATIONS

Apple TV, downloaded on Feb. 3, 2014 from <http://www.apple.com/appletv/what-is/>.

(Continued)

Primary Examiner — Prabhakar G Deshmukh

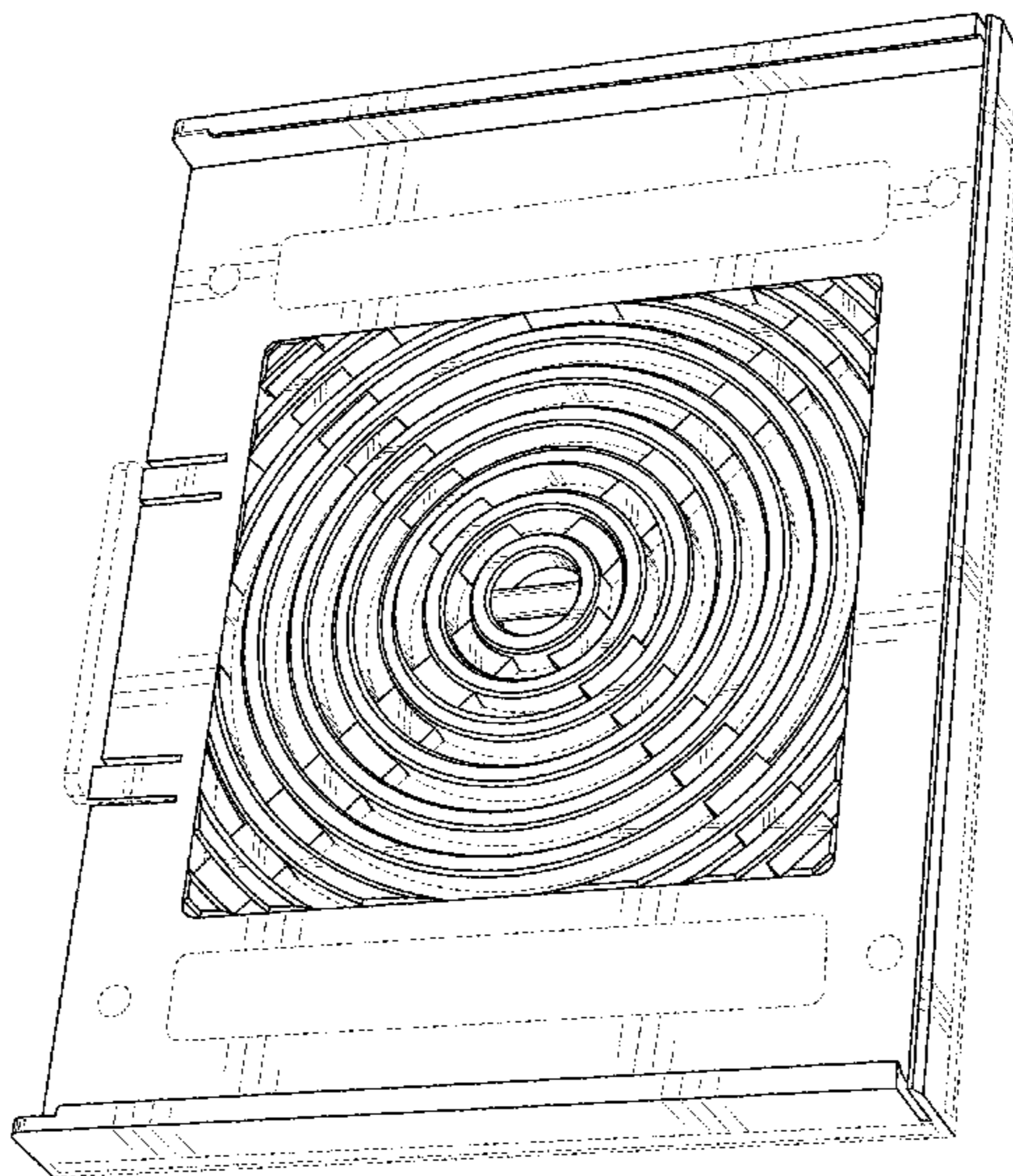
(57) **CLAIM**

The ornamental design for a mount for electronic devices, as shown and described.

DESCRIPTION

FIG. 1 is a front, first side, and bottom perspective view of a mount for electronic devices embodying the new design; FIG. 2 is a back, second side, and top perspective view thereof; FIG. 3 is a bottom view thereof; FIG. 4 is a top view thereof; FIG. 5 is a second side view thereof; FIG. 6 is a first side view thereof; FIG. 7 is a front view thereof; and, FIG. 8 is a back view thereof. The uniform repeating broken lines depict portions of a mount for electronic devices in which the claimed design is embodied and form no part of the claimed design.

1 Claim, 8 Drawing Sheets



(56)

References Cited

U.S. PATENT DOCUMENTS

4,771,927 A 9/1988 Ventura
4,815,683 A 3/1989 Ferrante
4,825,590 A 5/1989 Cullinane
4,826,115 A 5/1989 Novitski
4,840,773 A 6/1989 Wade
4,852,843 A 8/1989 Chandler
4,974,764 A 12/1990 Cantwell
D317,157 S 5/1991 Jondelius
5,038,985 A 8/1991 Chapin
5,092,395 A 3/1992 Amidzich
5,227,582 A 7/1993 Velasco
5,273,690 A 12/1993 McDowell
5,297,318 A 3/1994 Adolphson
D351,341 S 10/1994 Hung
5,385,282 A 1/1995 Chen
5,400,990 A 3/1995 Frankel
D359,616 S 6/1995 Ishibashi
D361,335 S 8/1995 Rudkiewicz
D361,462 S 8/1995 Newham
D369,465 S 5/1996 Scheid
5,535,093 A 7/1996 Noguchi
5,555,491 A * 9/1996 Tao G06F 1/1632
248/185.1
D376,585 S * 12/1996 Wathen D14/434
D376,787 S 12/1996 Calfee
5,593,124 A 1/1997 Wang
5,619,395 A 4/1997 McBride
5,619,774 A 4/1997 Perry
D388,107 S 12/1997 Huckins
D390,849 S 2/1998 Richter
5,850,998 A 12/1998 Parsey
D407,408 S 3/1999 Hoff
D409,079 S 5/1999 Sobczynski
5,899,371 A 5/1999 Weliver
D411,542 S 6/1999 Richter
5,914,707 A 6/1999 Kono
5,961,083 A 10/1999 Hartman
5,979,724 A 11/1999 Loewenthal
D420,149 S 2/2000 Hersh
6,039,173 A 3/2000 Crow
D425,353 S 5/2000 Foy
6,073,901 A 6/2000 Richter
6,102,660 A 8/2000 Lee
6,105,923 A 8/2000 Robertson
D431,250 S 9/2000 Richter
6,163,997 A 12/2000 Deralas
6,193,546 B1 2/2001 Sadler
D443,493 S 6/2001 Skeem
6,275,882 B1 * 8/2001 Cheever G06F 1/1632
710/302
6,275,885 B1 8/2001 Chin
6,336,615 B1 1/2002 Jeon
D456,024 S 4/2002 Richter
D456,413 S 4/2002 Malson
6,445,290 B1 9/2002 Fingal
6,485,144 B1 11/2002 Liao
D471,547 S 3/2003 Ruohonen
6,554,527 B1 4/2003 O'Donnell
6,560,983 B1 5/2003 Schimmeyer
6,691,374 B2 2/2004 Coyne
6,888,940 B1 5/2005 Deppen
6,912,125 B2 * 6/2005 Weng G06F 1/1632
361/679.41
D508,605 S 8/2005 Shih-Ming
6,939,641 B2 9/2005 Kincaid
6,983,126 B1 1/2006 Saalman
D518,704 S 4/2006 Miao
7,047,601 B1 5/2006 Vernon-Woods
7,067,737 B2 6/2006 Mallen
7,079,384 B2 7/2006 Wang
7,080,764 B2 7/2006 McNicholas
7,113,218 B2 9/2006 Battles
D529,713 S 10/2006 Guyot
D529,905 S 10/2006 Richter
D530,713 S 10/2006 Richter

D530,717 S * 10/2006 Mori D14/434
D533,175 S 12/2006 Richter
7,145,603 B2 12/2006 Whitby
D535,826 S 1/2007 Toghanian
D536,239 S 2/2007 Tallman
7,222,762 B2 5/2007 Rees
D545,343 S 6/2007 Braun
D547,863 S 7/2007 Heinsch
D551,008 S 9/2007 Hidalgo
D553,352 S 10/2007 Allen
D557,266 S 12/2007 Hughes
D560,411 S 1/2008 Chung
D564,529 S 3/2008 Hughes
D565,399 S 4/2008 Grey
D568,889 S 5/2008 Hughes
7,367,089 B2 5/2008 Cooke
D570,801 S 6/2008 Allen
7,959,121 B1 12/2008 Barnes
D586,795 S 2/2009 Richter
D596,172 S 7/2009 Ahlqvist
D598,945 S 8/2009 Gillespie
7,580,255 B2 8/2009 Crooijmans
D601,000 S 9/2009 Cole
D609,030 S 2/2010 Barabas
D610,579 S 2/2010 Behar
D624,949 S 10/2010 Nakayama
D625,729 S 10/2010 McNames
D628,611 S 12/2010 Lewis
7,854,420 B2 12/2010 Depay
D633,503 S 3/2011 Bo
7,980,435 B2 7/2011 Tages
D648,707 S * 11/2011 Akana D14/217
D648,727 S 11/2011 Van Den Nieuwenhuizen
D654,077 S * 2/2012 Radin D14/434
D657,362 S 4/2012 Lister
D662,491 S 6/2012 Andre
D667,411 S 9/2012 Kim
D669,890 S 10/2012 Hopkins
D672,308 S 12/2012 Cobbett
8,322,584 B2 12/2012 Dethmers
D675,208 S * 1/2013 Petrick D13/107
D680,540 S * 4/2013 Lee D14/217
D686,629 S 7/2013 Trinh
D690,707 S 10/2013 Minn
8,544,805 B2 10/2013 Virgin
D695,748 S 12/2013 Morris
D700,832 S 3/2014 Ng
D705,229 S 5/2014 Wengreen
D710,340 S 8/2014 Wengreen
D710,363 S 8/2014 Wengreen
D710,836 S 8/2014 Wengreen
D712,394 S 9/2014 Booth
D712,906 S 9/2014 Wengreen
D713,395 S 9/2014 Godycki
D713,399 S 9/2014 Green
8,847,549 B2 9/2014 Graham
8,848,113 B2 9/2014 Wengreen
D714,793 S 10/2014 Kim
D716,580 S 11/2014 Wengreen
D717,307 S 11/2014 Chun
D717,804 S 11/2014 Budge
8,896,768 B1 11/2014 Wengreen
8,934,060 B1 1/2015 Wengreen
8,934,061 B1 1/2015 Wengreen
8,939,417 B1 1/2015 Wengreen
D723,042 S 2/2015 Lee
8,988,616 B2 3/2015 Wengreen
D729,544 S 5/2015 Wengreen
D732,939 S 6/2015 Cannaverde
D733,105 S 6/2015 Wengreen
D733,542 S 7/2015 Cannaverde
D733,691 S 7/2015 Wengreen
D734,305 S 7/2015 Wengreen
D735,174 S 7/2015 Wengreen
D739,407 S * 9/2015 Son D14/434
D739,410 S 9/2015 Chun
9,131,195 B2 9/2015 Wengreen
D742,387 S 11/2015 Xiang
D746,599 S 1/2016 Olson

(56)

References Cited

U.S. PATENT DOCUMENTS

D749,549 S 2/2016 Wengreen
 D749,597 S 2/2016 Wengreen
 D750,633 S 3/2016 Minn
 D751,563 S 3/2016 Wengreen
 D752,415 S 3/2016 Lu
 9,339,112 B2 5/2016 Wengreen
 D759,005 S 6/2016 Murakami
 D759,018 S * 6/2016 Subramaniam D14/434
 D761,236 S 7/2016 Wengreen
 D763,666 S 8/2016 Wengreen
 D763,835 S 8/2016 Wengreen
 D765,063 S 8/2016 Wengreen
 D765,064 S 8/2016 Wengreen
 D765,646 S 9/2016 Deng
 D765,651 S 9/2016 Liu
 D767,377 S 9/2016 Sekula
 D770,171 S 11/2016 Lai
 D772,217 S 11/2016 Alesi
 D777,167 S 1/2017 Wengreen
 9,543,082 B1 1/2017 Wengreen
 D779,466 S 2/2017 Wengreen
 D780,762 S * 3/2017 Ju D14/434
 D795,820 S 8/2017 Wengreen
 2005/0023419 A1 2/2005 Frankel
 2005/0211861 A1 9/2005 Lee
 2005/0236541 A1 10/2005 Chang
 2006/0224575 A1 10/2006 Ostojic
 2007/0097617 A1 5/2007 Searby
 2007/0235609 A1 10/2007 Chun
 2007/0264169 A1 11/2007 Chen

2008/0078793 A1 4/2008 Brown
 2009/0218454 A1 9/2009 Stanley
 2009/0296997 A1 12/2009 Rocheford
 2010/0270190 A1 10/2010 Howard
 2010/0281671 A1 11/2010 De Vaan
 2010/0288895 A1 11/2010 Shamie
 2010/0314277 A1 12/2010 Murray
 2011/0242439 A1 10/2011 Calderon
 2012/0126081 A1 5/2012 Wengreen
 2012/0127379 A1 5/2012 Wengreen
 2012/0168516 A1 7/2012 Bolger
 2012/0280014 A1 11/2012 Lopez-Apodaca
 2012/0312950 A1 12/2012 Sears
 2014/0061406 A1 3/2014 Chevalier
 2014/0103179 A1 4/2014 Lipke
 2014/0241705 A1 8/2014 Wengreen
 2015/0070835 A1 3/2015 McLean
 2015/0212544 A1 7/2015 Chen
 2015/0305502 A1 10/2015 Wengreen
 2016/0007735 A1 1/2016 Gallup
 2016/0119458 A1 4/2016 Gunther
 2016/0120295 A1 5/2016 Rowley
 2016/0218535 A1 7/2016 Prete
 2016/0234955 A1 8/2016 Wengreen
 2016/0241289 A1 8/2016 Wieth

OTHER PUBLICATIONS

Hide it Mounts—PS4 Wall Mount, downloaded from <https://www.amazon.com/Hide-Mounts-Original-Wall-Mount-PlayStation/dp/B00PMLO4YK>, available at least as early as Sep. 8, 2015.

* cited by examiner

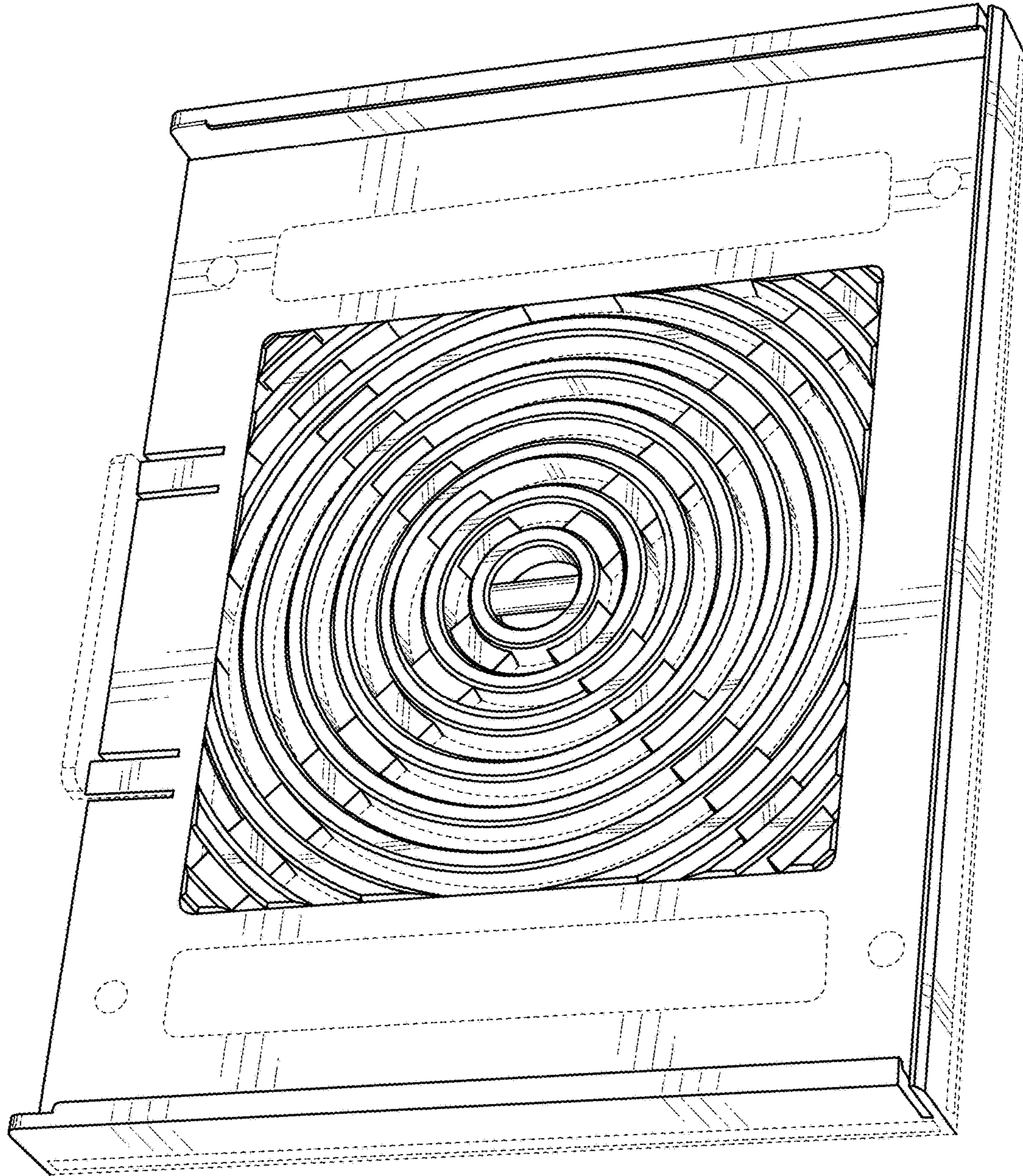


FIG. 1

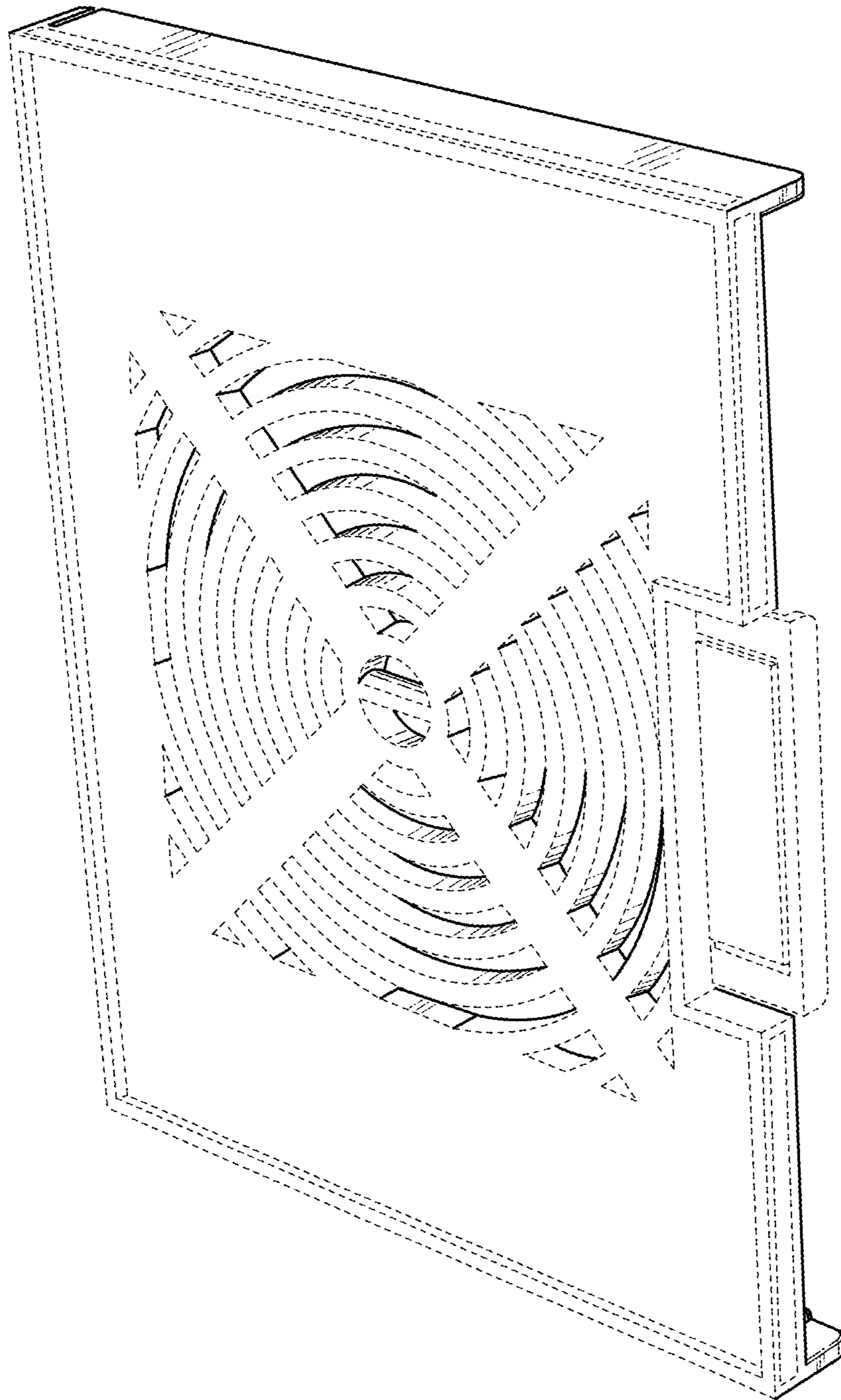


FIG. 2

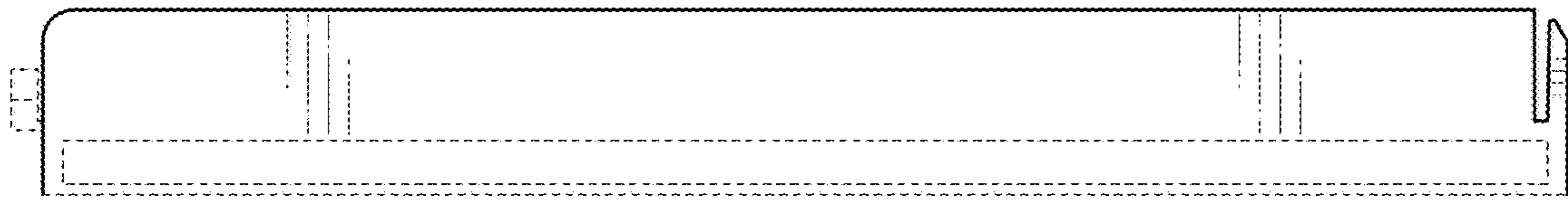


FIG. 3

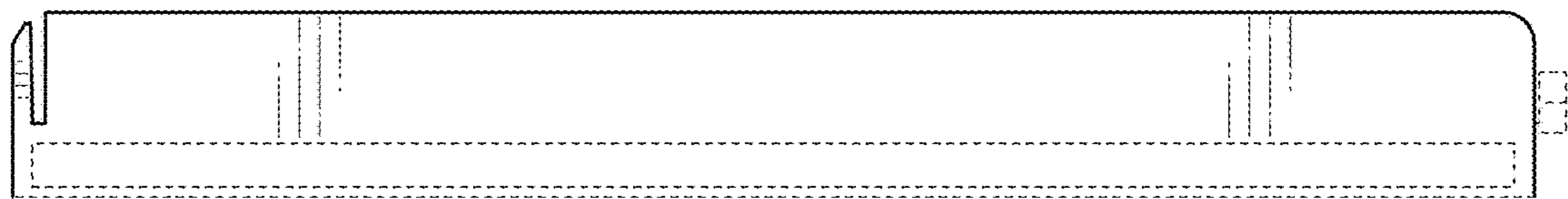


FIG. 4

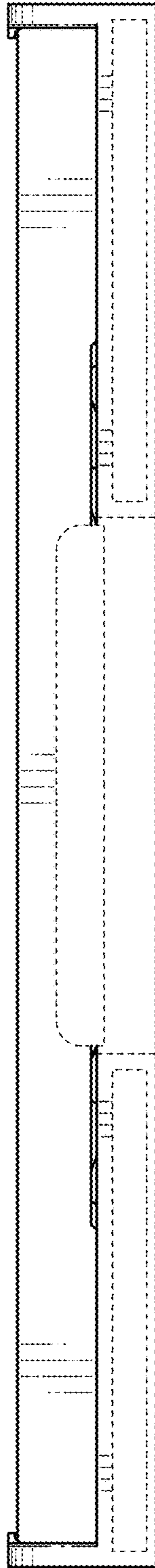


FIG. 5

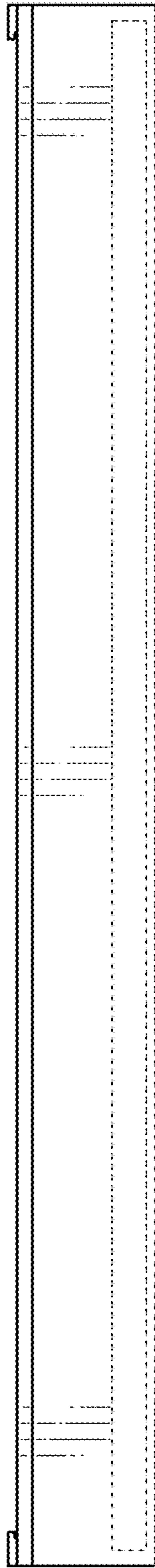


FIG. 6

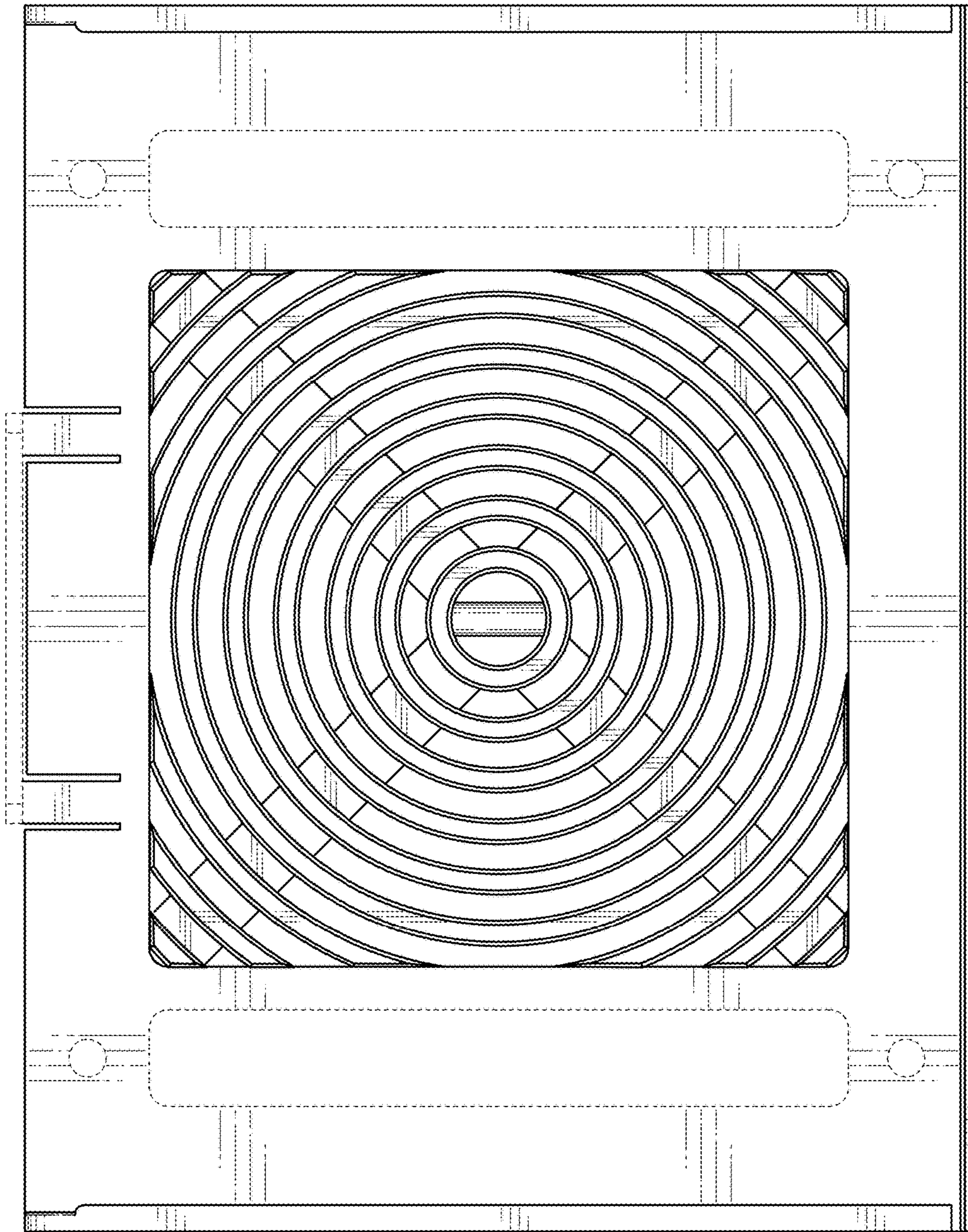


FIG. 7

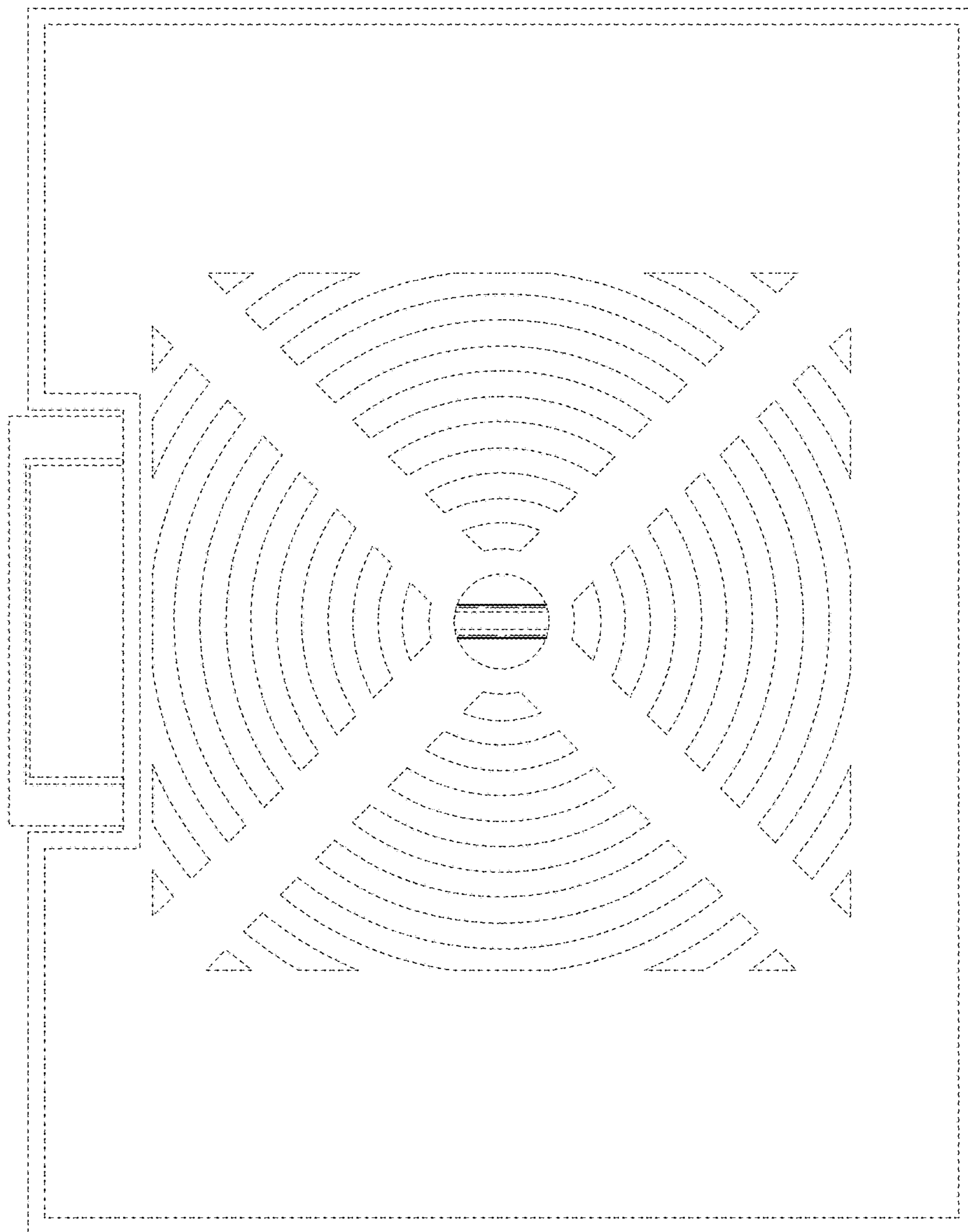


FIG. 8