



US00D808366S

(12) **United States Design Patent**
Katopis

(10) **Patent No.:** **US D808,366 S**
(45) **Date of Patent:** **** Jan. 23, 2018**

(54) **EARBUD**

(71) Applicant: **Chris J. Katopis**, Washington, DC
(US)

(72) Inventor: **Chris J. Katopis**, Washington, DC
(US)

(**) Term: **15 Years**

(21) Appl. No.: **29/560,063**

(22) Filed: **Apr. 1, 2016**

(51) **LOC (11) Cl.** **14-01**

(52) **U.S. Cl.**
USPC **D14/223**

(58) **Field of Classification Search**
USPC D14/204, 205, 209, 223, 224, 225, 188,
D14/192, 206, 240; D29/112; D24/174;
181/129, 130, 135; 379/370, 371, 430,
379/431, 446, 449, 454, 455; 381/380,
381/381; D5/53, 54, 62, 63
CPC H04R 1/10; H04R 1/1066; H04R 1/1016;
H04R 1/105; H04R 25/00; H04R 5/033;
H04R 5/0335; H04R 1/1091; H04R
1/1058; H04R 25/02
See application file for complete search history.

(56) **References Cited**

U.S. PATENT DOCUMENTS

- 348,782 A * 9/1886 Sawyer E04F 15/10
238/283
- 3,575,764 A * 4/1971 McFarren B32B 27/00
156/306.6
- D456,667 S * 5/2002 Veltri D7/387
- D463,789 S 10/2002 DeKalb et al.
- D463,790 S 10/2002 Beraut et al.
- D467,907 S 12/2002 Marion et al.
- 6,595,317 B1 * 7/2003 Widmer H04R 25/652
181/129
- D478,761 S * 8/2003 Robbins, III D6/582
- D510,337 S 10/2005 Tages

- D519,108 S * 4/2006 Yang D14/223
- D539,075 S 3/2007 Schuler
- D556,740 S * 12/2007 Xavier D14/223
- D556,967 S * 12/2007 Martins D32/40
- D562,808 S 2/2008 Gwee
- D566,687 S 4/2008 Duarte et al.
- D572,241 S 7/2008 Gwee
- D585,429 S 1/2009 Dean
- D591,732 S 5/2009 Burton
- D601,134 S 9/2009 Elabidi et al.
- D617,316 S 6/2010 Elabidi et al.
- D618,209 S 6/2010 Andre et al.

(Continued)

OTHER PUBLICATIONS

Best Replacement Earbud Tips for Extra-Comfort, date updated Jul. 18, 2015, site visited Nov. 9, 2017, Copyright © 2017, <<http://www.thebestearbuds.com/replacement-earbud-tips/>>.*

(Continued)

Primary Examiner — Cathron C Brooks

Assistant Examiner — Sharon S Oum

(74) *Attorney, Agent, or Firm* — Chris J Katopis

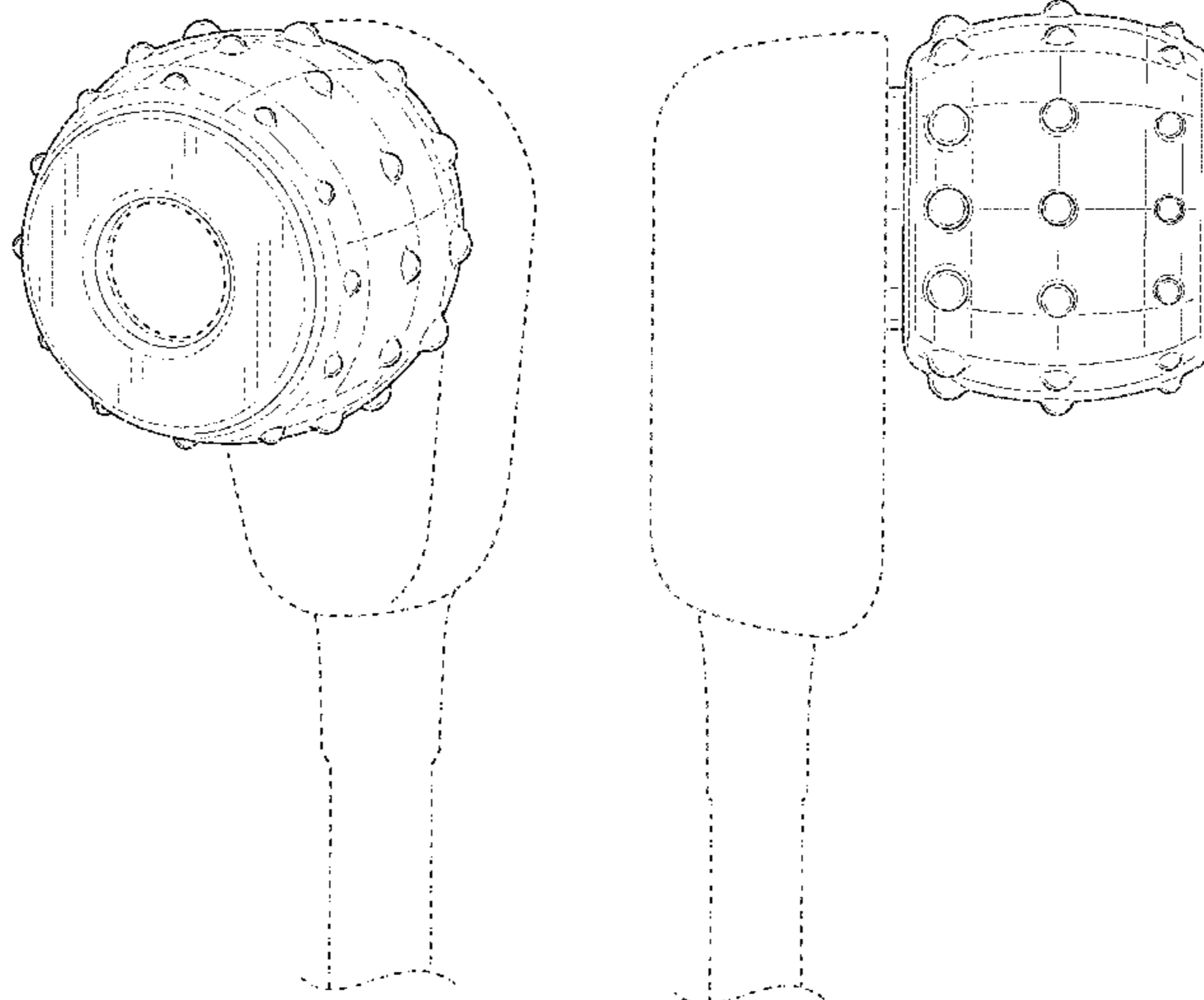
(57) **CLAIM**

The ornamental design for an earbud, as shown and described.

DESCRIPTION

FIG. 1 is a front perspective view of an earbud, showing the new design;
FIG. 2 is a front view thereof;
FIG. 3 is a back view thereof;
FIG. 4 is a side view thereof;
FIG. 5 is the opposite side view thereof;
FIG. 6 is a top view thereof; and,
FIG. 7 is a bottom view thereof.
In all figures, the broken lines represent environmental subject matter that forms no part of the claimed design.

1 Claim, 7 Drawing Sheets



(56)

References Cited

U.S. PATENT DOCUMENTS

D618,210 S 6/2010 Andre et al.
 D618,218 S * 6/2010 Burgett D14/223
 D618,670 S * 6/2010 Tahara D14/223
 D619,566 S 7/2010 Yu
 D619,997 S * 7/2010 Nevatia D14/223
 D627,338 S * 11/2010 Koss D14/223
 7,920,902 B2 * 4/2011 Carroll H04M 1/6066
 381/74
 D641,010 S 7/2011 Kwon
 D643,415 S 8/2011 Vasquez
 D647,081 S 10/2011 Kwon
 D653,235 S 1/2012 McManigal
 D656,481 S 3/2012 McManigal
 D658,157 S 4/2012 McManigal
 D660,291 S 5/2012 Thomas et al.
 D666,169 S 8/2012 Tucker et al.
 D666,996 S 9/2012 Hardi et al.
 D668,060 S * 10/2012 Cordovana D5/62
 D673,530 S * 1/2013 Feng D14/223
 D674,271 S 1/2013 Rodwin
 D676,417 S * 2/2013 Masuda D14/205
 D678,858 S * 3/2013 Feng D14/205
 D678,868 S * 3/2013 Feng D14/223
 D687,418 S 8/2013 Godfrey
 D700,905 S 3/2014 Pavitsich
 D707,201 S 6/2014 Arjomand
 D712,874 S 9/2014 Gauger, Jr. et al.
 D715,272 S 10/2014 Burton
 D716,771 S 11/2014 Burgett et al.
 D717,959 S * 11/2014 Michel D24/174

D727,300 S * 4/2015 Anderson D14/223
 D727,873 S * 4/2015 Schaal D14/205
 D729,764 S 5/2015 Arjomand
 D739,851 S 9/2015 Donohue, II et al.
 D744,456 S 12/2015 Pedersen
 D745,863 S 12/2015 Hardi
 D757,681 S * 5/2016 Kuskin D14/205
 D762,623 S * 8/2016 Gondo D14/223
 D782,998 S * 4/2017 Shin D14/205
 D789,911 S * 6/2017 Katopis D14/223
 D794,612 S * 8/2017 Katopis D14/223
 2003/0066253 A1 * 4/2003 Lin E04F 11/16
 52/177
 2009/0252366 A1 * 10/2009 Johnson H04R 1/1091
 381/380
 2014/0219488 A1 * 8/2014 Michel H04R 25/652
 381/329

OTHER PUBLICATIONS

Silicone hand grip dynamometer/hand grip exerciser/exercise hand grip, date posted unknown, site visited Nov. 9, 2017, Copyright © 1999-2017, <https://www.alibaba.com/product-detail/Silicone-hand-grip-dynamometer-hand-grip_902884951.html?spm=a2700.7724857.main07.173.19bf1853JDLr&f>.*
 “Etymotic Research ER-4(R) micorPro(R)—Earphones,” www. atymotic.com, [retrieved Mar. 4, 2016] <URL: <http://www.atymotic.com/consumer/earphones/er4.html>>.
 “Burton Technologies LLC,” www.burtontechusa.com, [retrieved Mar. 4, 2016] <URL: <http://www.burtontechusa.com/>>.

* cited by examiner

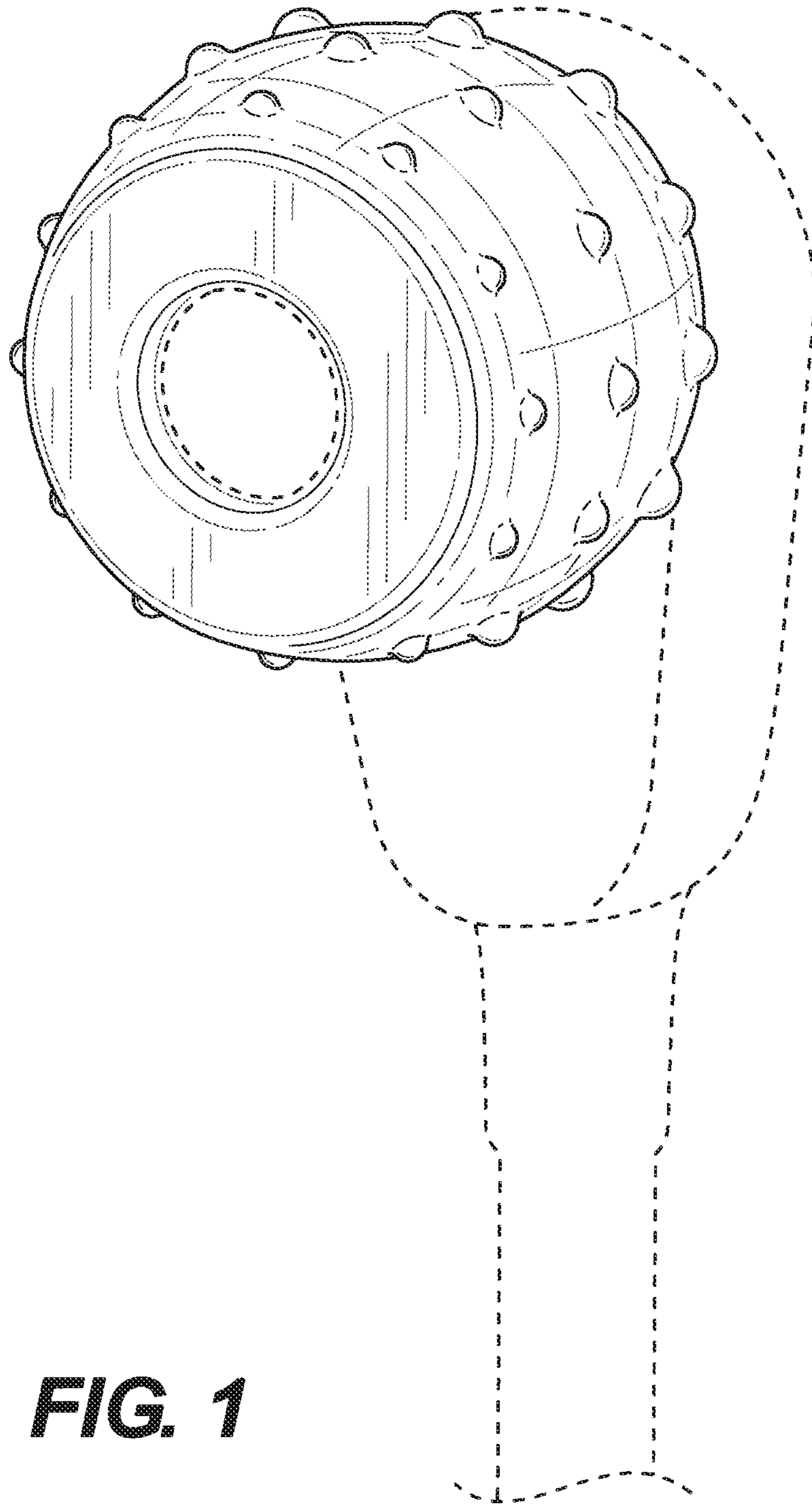


FIG. 1

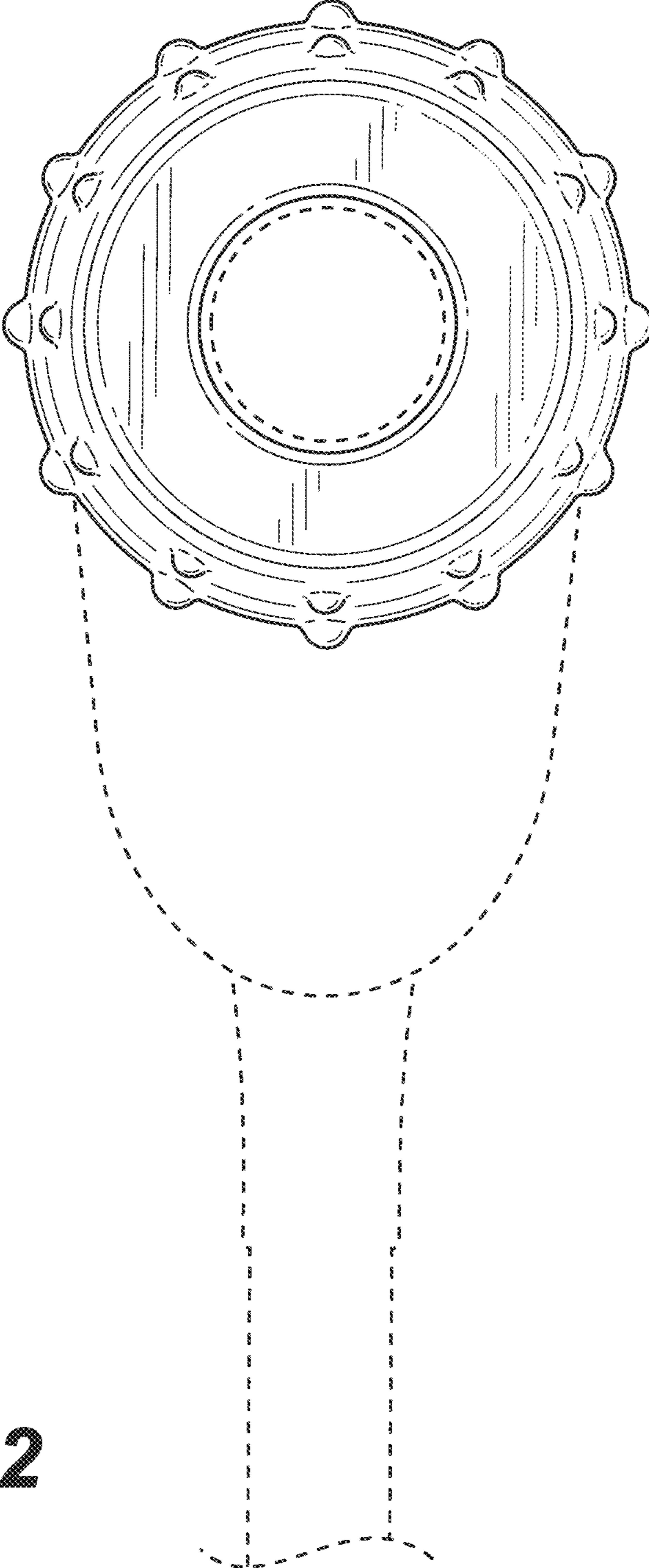


FIG. 2

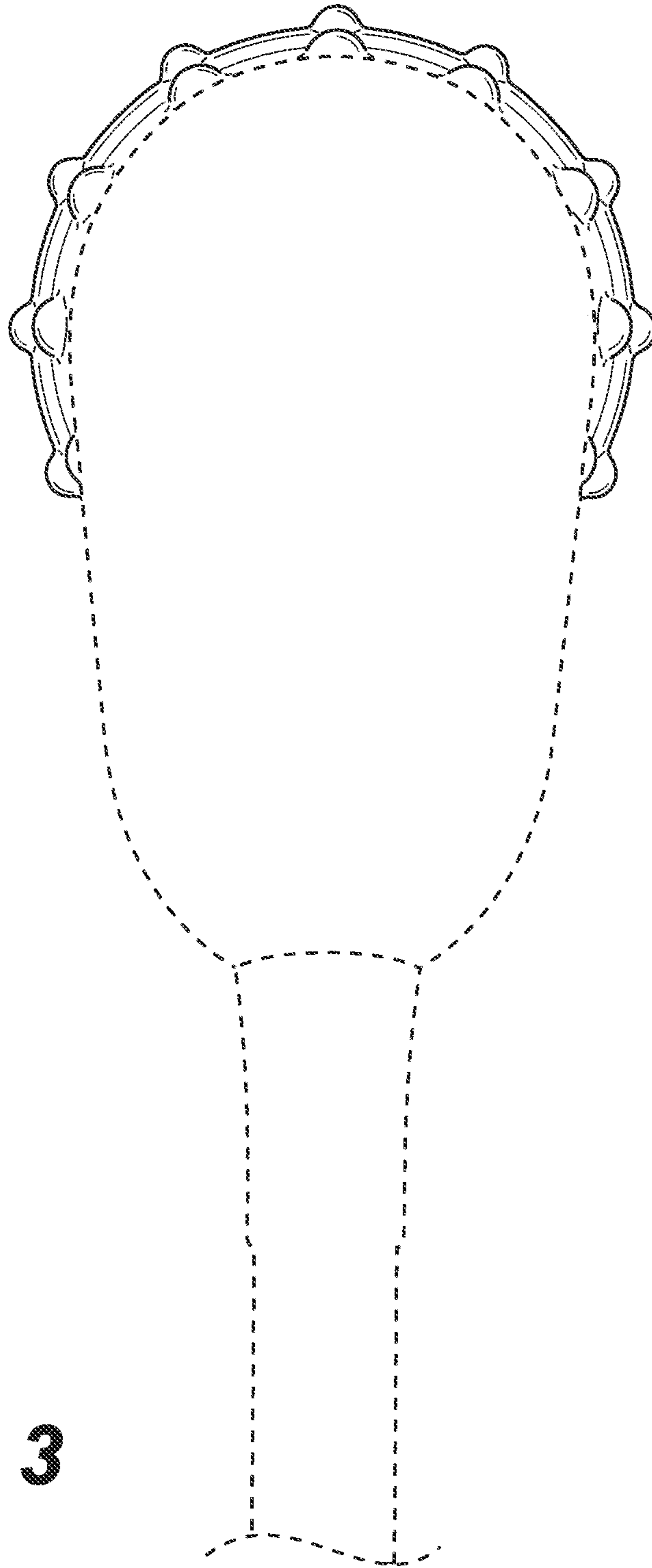


FIG. 3

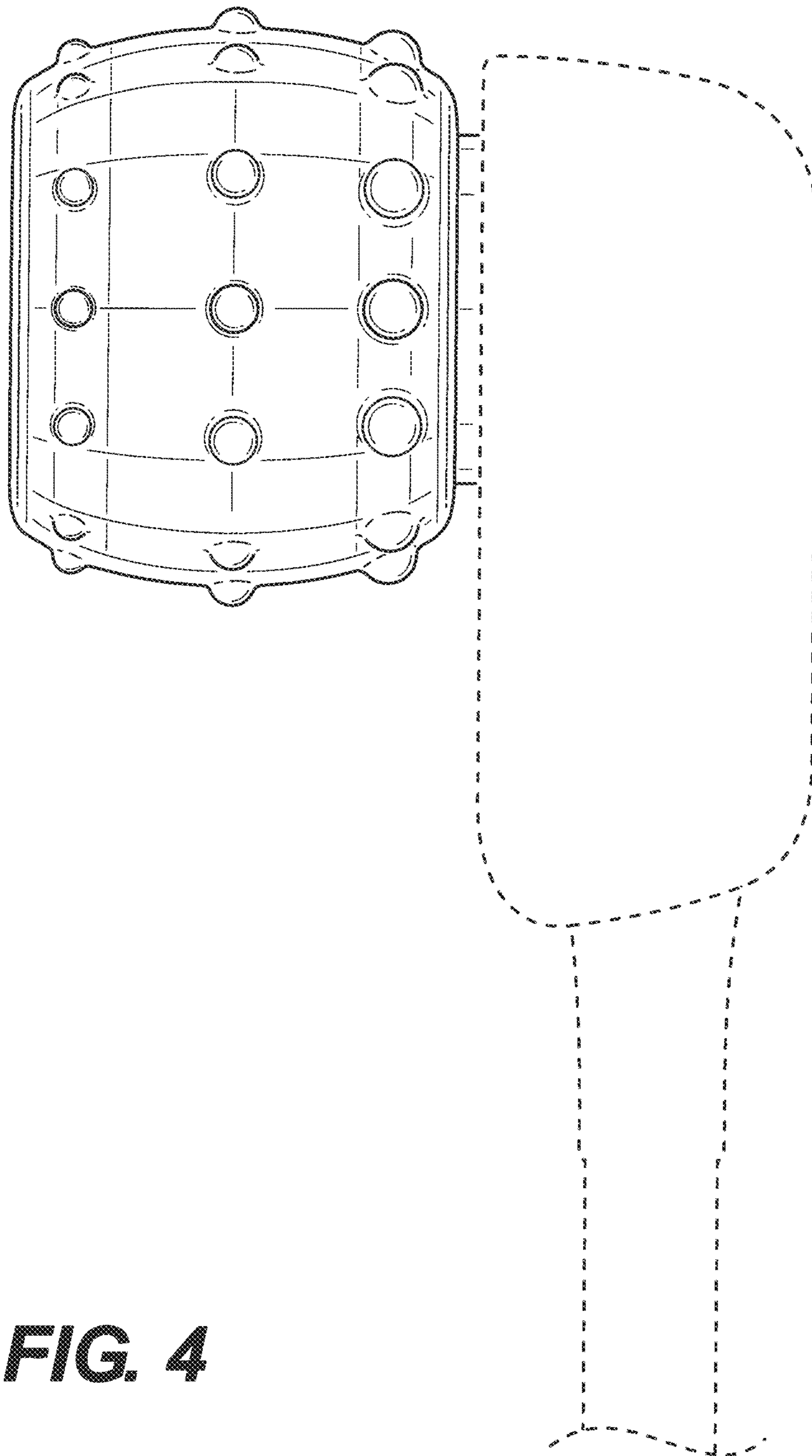


FIG. 4

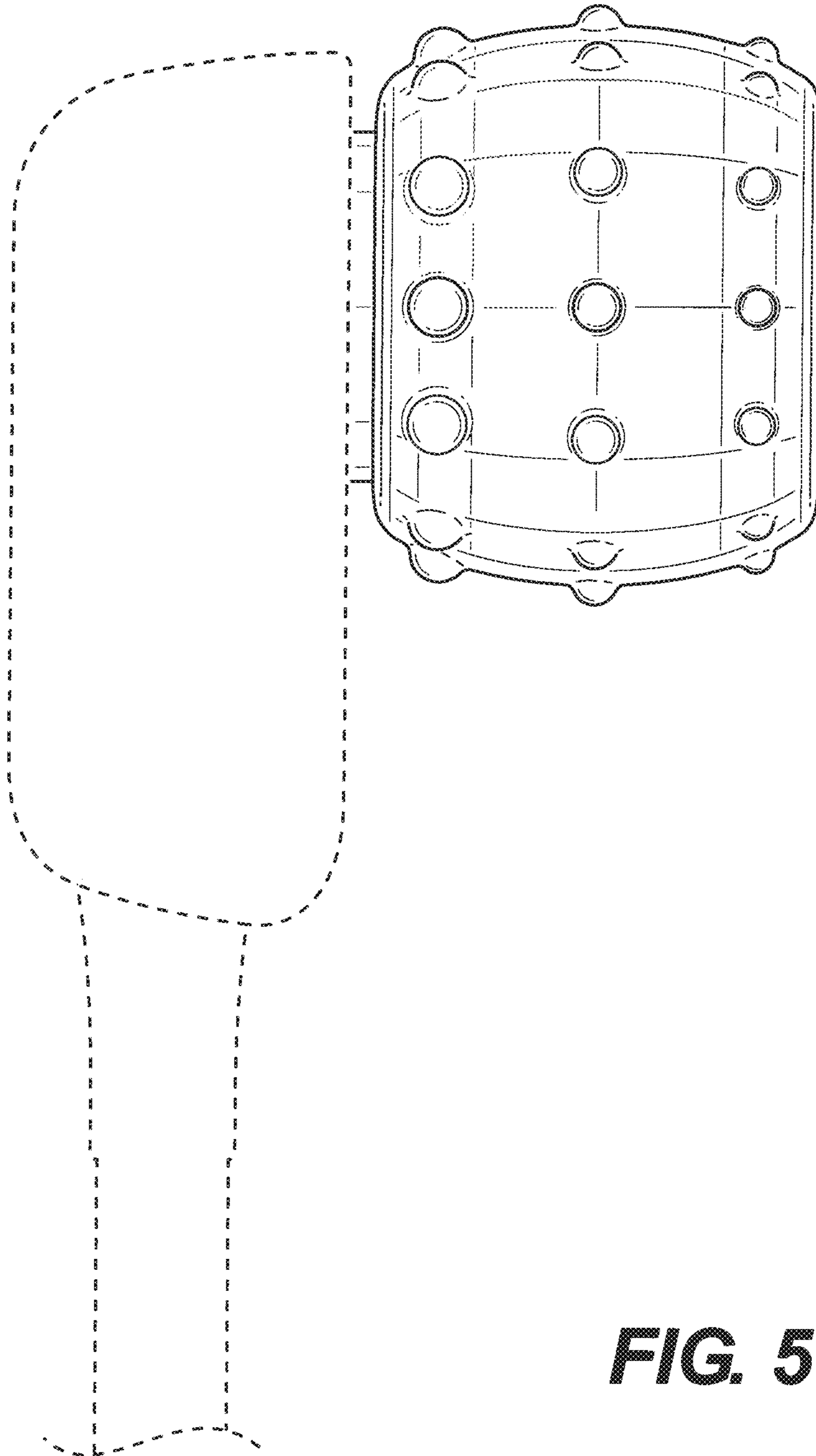


FIG. 5

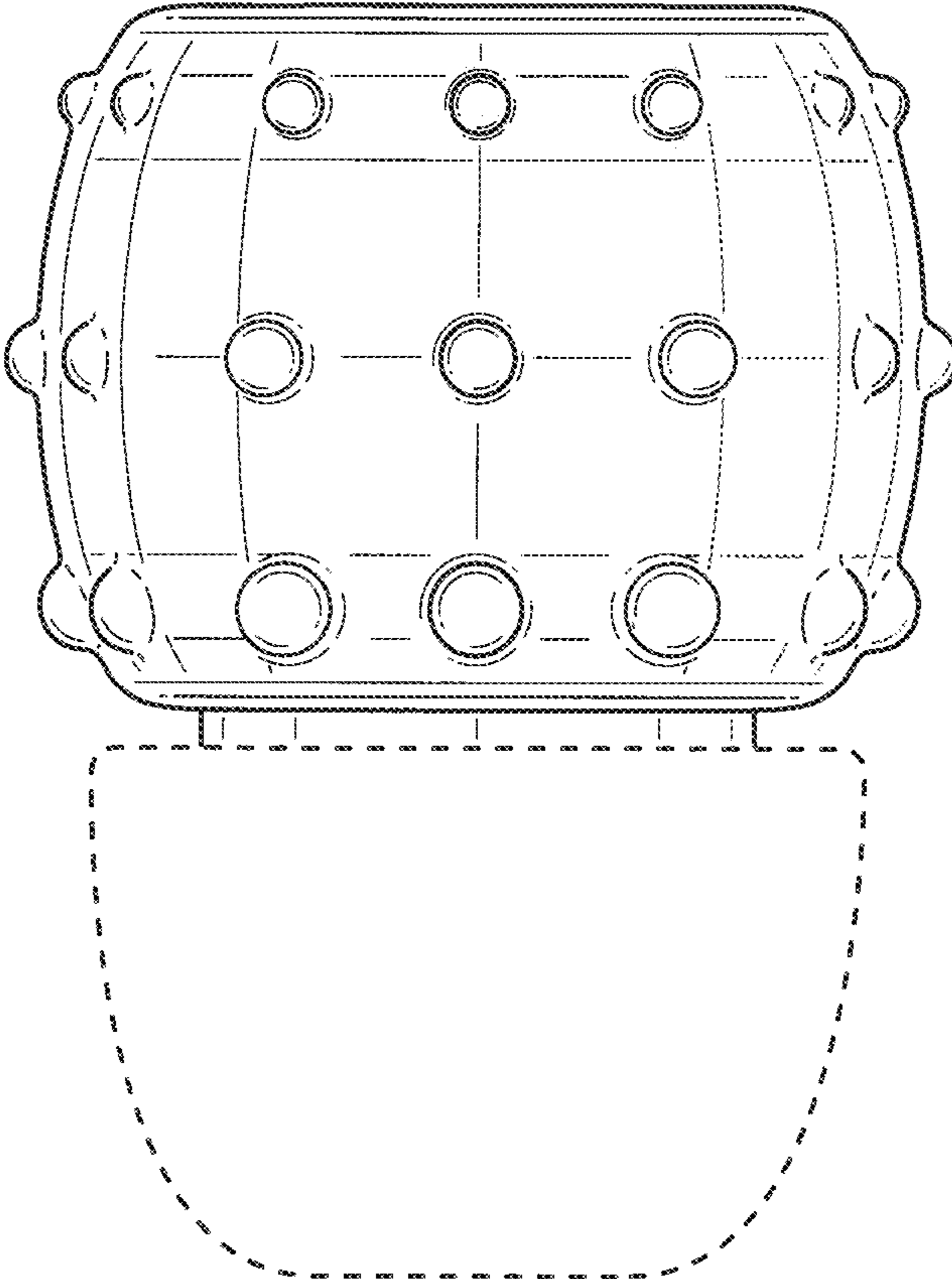


FIG. 6

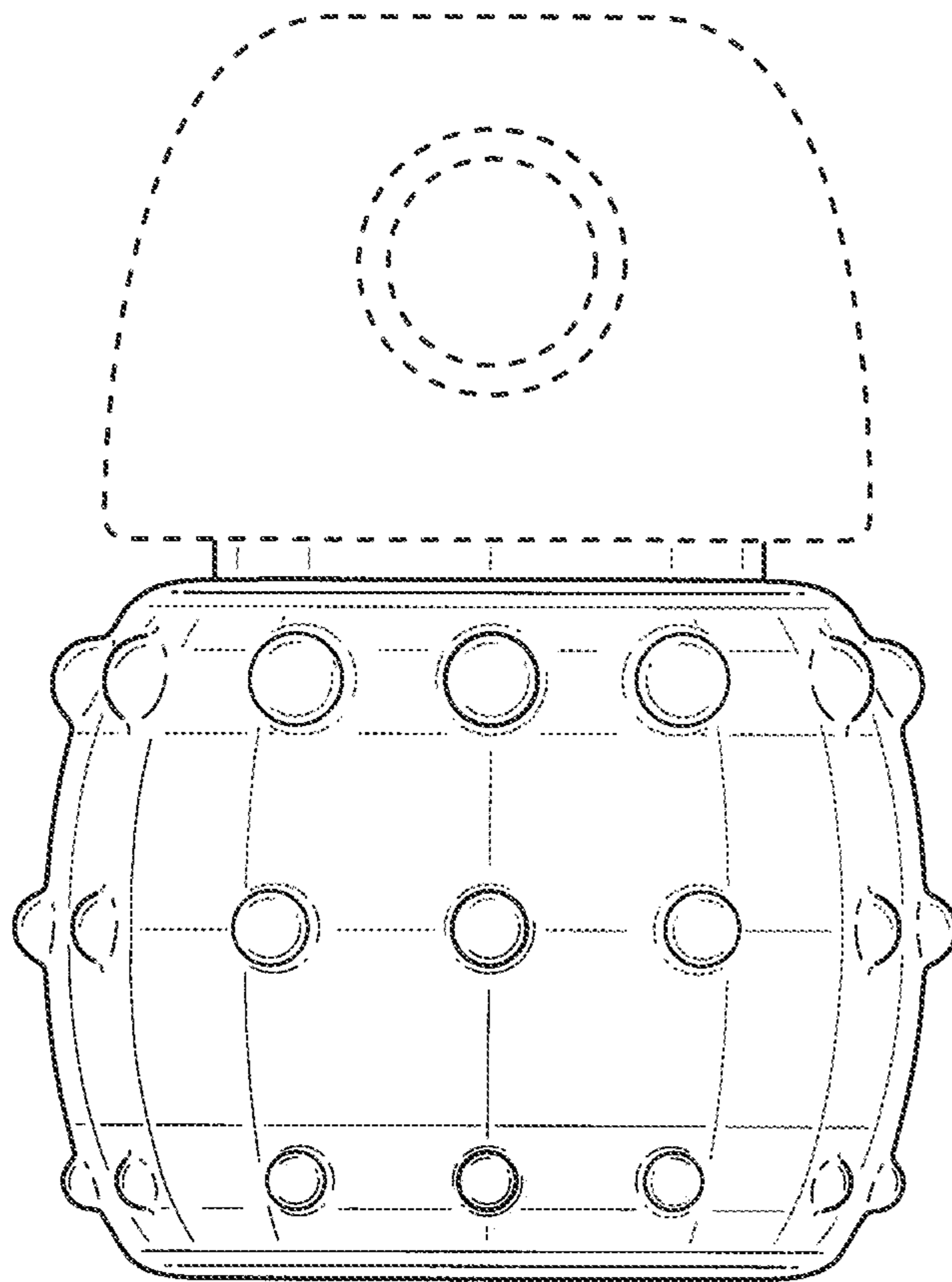


FIG. 7