



US00D808361S

(12) **United States Design Patent**  
**Sumii**

(10) **Patent No.:** **US D808,361 S**

(45) **Date of Patent:** **\*\* Jan. 23, 2018**

(54) **HEADPHONE**

(71) Applicant: **SONY INTERACTIVE ENTERTAINMENT INC.**, Tokyo (JP)

(72) Inventor: **Tetsu Sumii**, Tokyo (JP)

(73) Assignee: **SONY INTERACTIVE ENTERTAINMENT INC.**, Tokyo (JP)

(\*\*) Term: **15 Years**

(21) Appl. No.: **29/586,972**

(22) Filed: **Dec. 8, 2016**

(30) **Foreign Application Priority Data**

Jun. 9, 2016 (JP) ..... 2016-012350

(51) **LOC (11) Cl.** ..... **14-01**

(52) **U.S. Cl.**  
USPC ..... **D14/205**

(58) **Field of Classification Search**  
USPC ..... D14/205, 188, 192, 372; D29/112;  
2/209; 181/129, 130, 135; 379/430, 431;  
381/380, 381, 379, 374; 455/90, 3, 575,  
455/1, 569

See application file for complete search history.

(56) **References Cited**

**U.S. PATENT DOCUMENTS**

1,483,315 A \* 2/1924 Saal ..... H04R 1/1066  
381/374  
D333,137 S \* 2/1993 Burke ..... D14/206  
D358,390 S \* 5/1995 Hayashi ..... D14/205  
D358,391 S \* 5/1995 Isono ..... D14/205  
D410,921 S \* 6/1999 Luchs ..... D14/142  
6,016,347 A \* 1/2000 Magnasco ..... H04R 1/1041  
379/430  
D432,012 S \* 10/2000 Roberts ..... D3/257

D449,034 S \* 10/2001 Weikel ..... D14/205  
D484,485 S \* 12/2003 Matsuoka ..... D14/205  
6,724,906 B2 \* 4/2004 Naksen ..... H04R 1/1066  
381/370  
D512,708 S \* 12/2005 Harris, Jr. .... D14/205  
7,072,483 B2 \* 7/2006 Lenhard-Backhaus .....  
H04R 1/1066  
381/370  
D534,156 S \* 12/2006 Obata ..... D14/205  
D549,688 S \* 8/2007 Suzuki ..... D14/205  
D588,100 S \* 3/2009 Densho ..... D14/205  
D609,694 S \* 2/2010 Komiyama ..... D14/205  
D620,474 S \* 7/2010 Komiyama ..... D14/205  
D625,705 S \* 10/2010 Ohori ..... D14/205  
D633,471 S \* 3/2011 Sugiyama ..... D14/205  
D634,732 S \* 3/2011 Kondo ..... D14/205  
D635,958 S \* 4/2011 Ando ..... D14/205

(Continued)

*Primary Examiner* — Paula Allen Greene

(74) *Attorney, Agent, or Firm* — Young & Thompson

(57) **CLAIM**

The ornamental design for a headphone, as shown and described.

**DESCRIPTION**

FIG. 1 is a perspective view of front, top and right side of a headphone device showing my new design;

FIG. 2 is a perspective view of rear, bottom and left side thereof;

FIG. 3 is a front view thereof;

FIG. 4 is a rear view thereof;

FIG. 5 is a left side view thereof;

FIG. 6 is a right side view thereof;

FIG. 7 is a top view thereof;

FIG. 8 is a bottom view thereof;

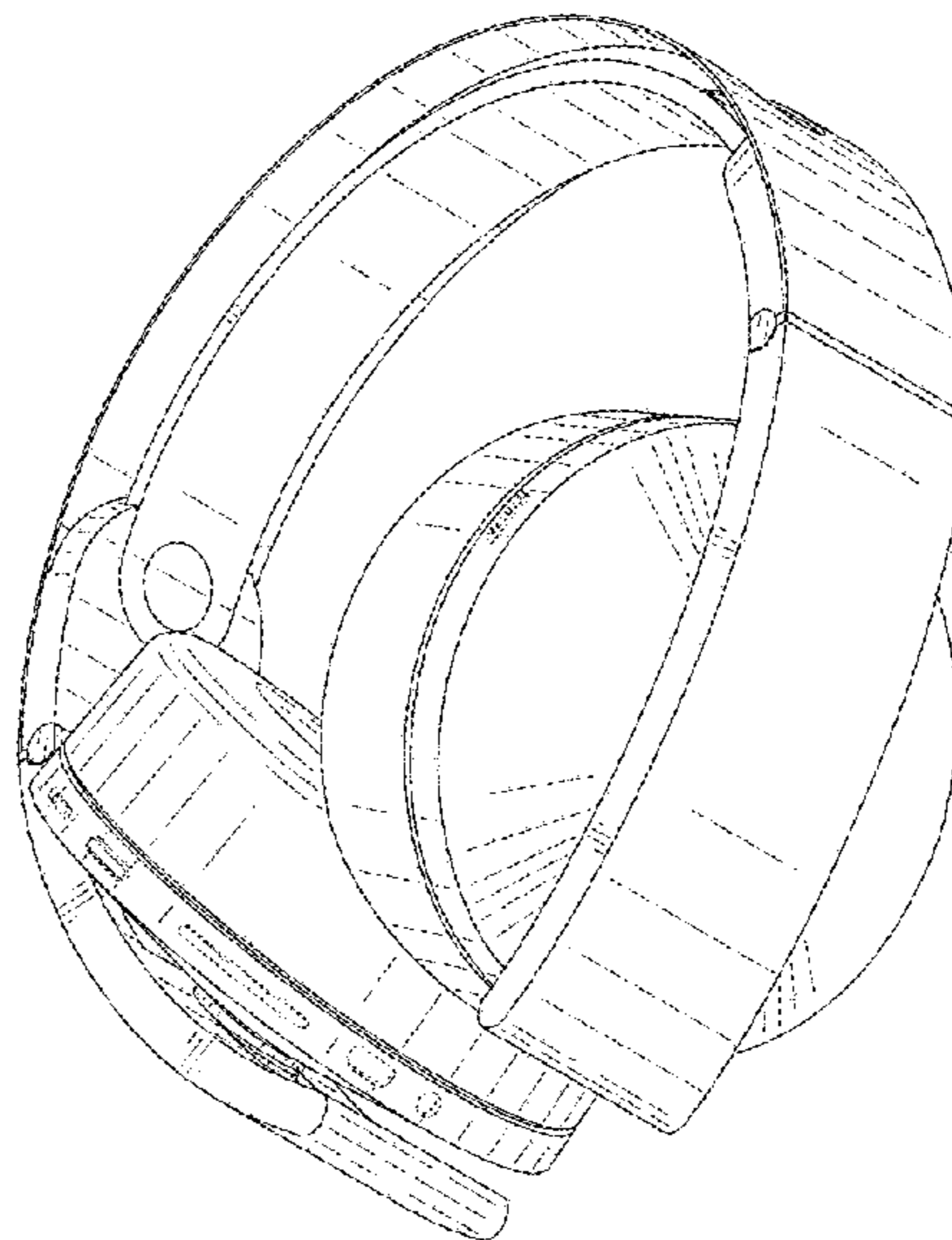
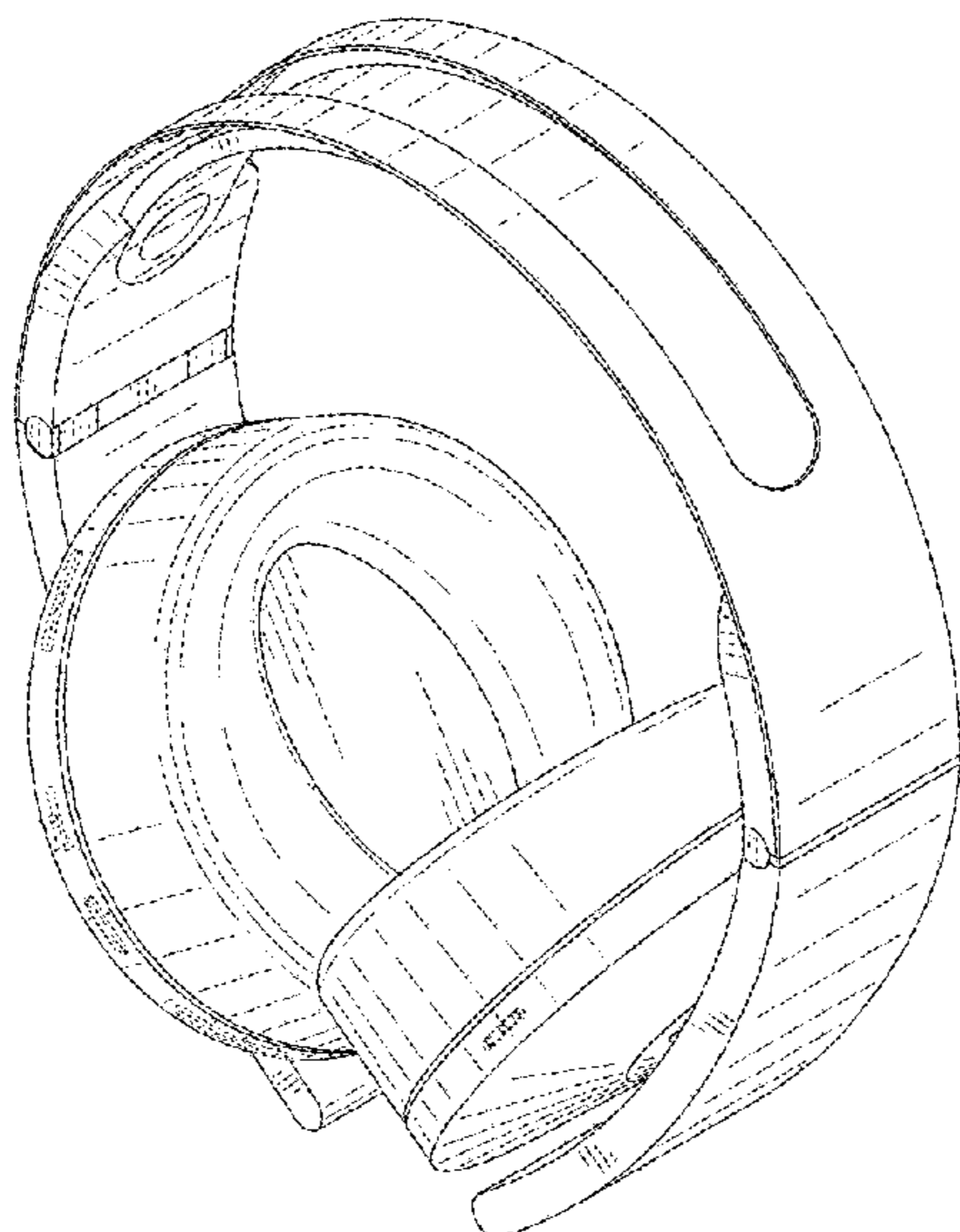
FIG. 9 is a front view in an alternate state thereof;

FIG. 10 is another view in an alternate state thereof; and,

FIG. 11 is another view in an alternate state thereof.

The broken lines form no part of the claimed design.

**1 Claim, 10 Drawing Sheets**



(56)

**References Cited**

U.S. PATENT DOCUMENTS

8,055,006	B2 *	11/2011	Santiago .....	H04R 5/0335 381/370
D654,472	S *	2/2012	Fischer .....	D14/206
D657,344	S *	4/2012	Brunner .....	D14/205
D657,346	S *	4/2012	Park .....	D14/205
D662,912	S *	7/2012	Iijima .....	D14/205
D663,717	S *	7/2012	Hutchieson .....	D14/206
D664,114	S *	7/2012	Tsuchiya .....	D14/205
D666,992	S *	9/2012	Lee .....	D14/205
D672,745	S *	12/2012	Abed .....	D14/205
D678,859	S *	3/2013	Lee .....	D14/205
D695,263	S *	12/2013	Mogili .....	D14/205
D697,495	S *	1/2014	Lian .....	D14/205
D719,953	S *	12/2014	Nokuo .....	D14/372
D724,560	S *	3/2015	Galler .....	D14/205
D740,254	S *	10/2015	Huang .....	D14/205
D765,056	S *	8/2016	Yang .....	D14/205
2001/0017925	A1 *	8/2001	Ceravolo .....	H04M 1/05 381/370
2006/0104471	A1 *	5/2006	Tsunoda .....	H04R 1/1041 381/374

\* cited by examiner

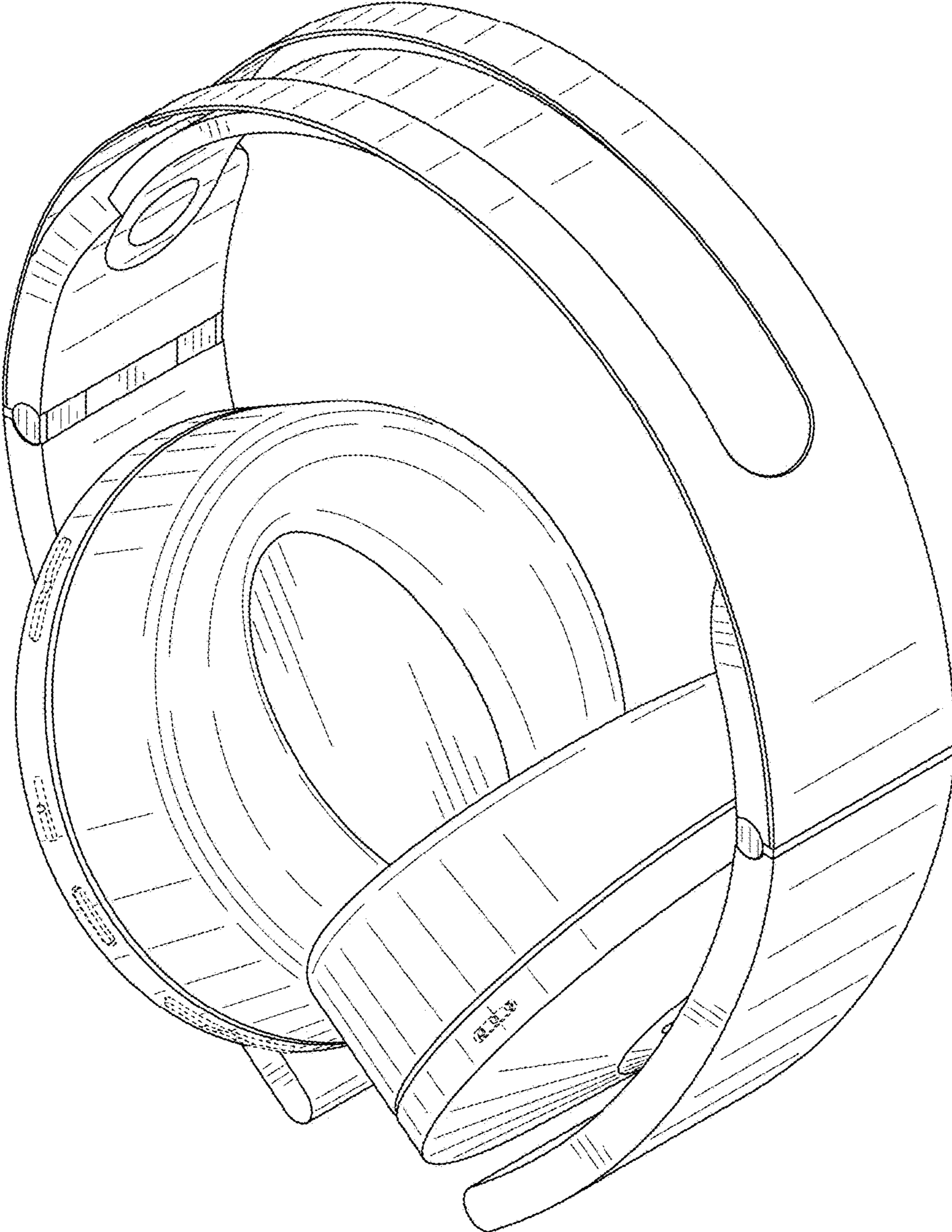


FIG. 1

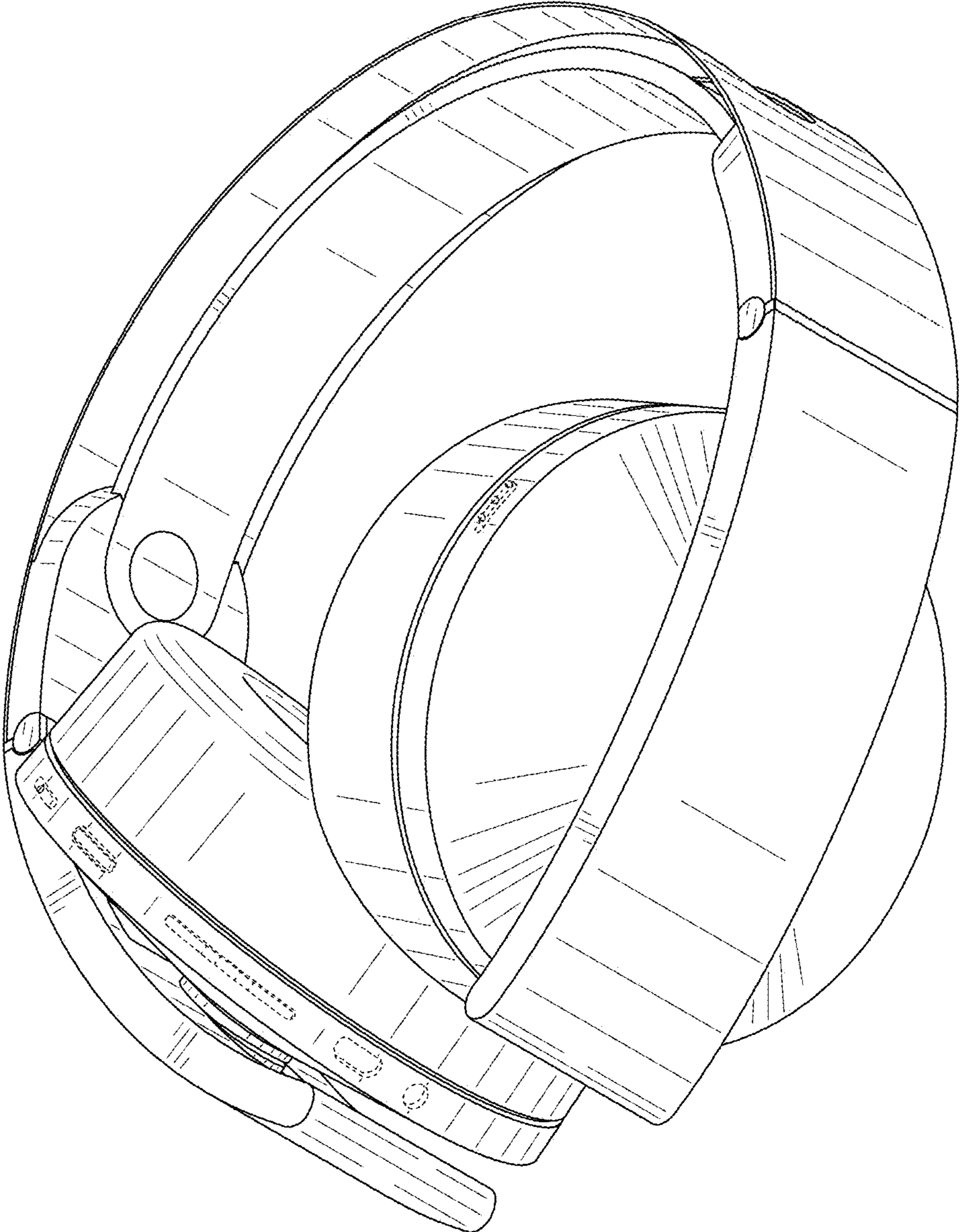


FIG. 2

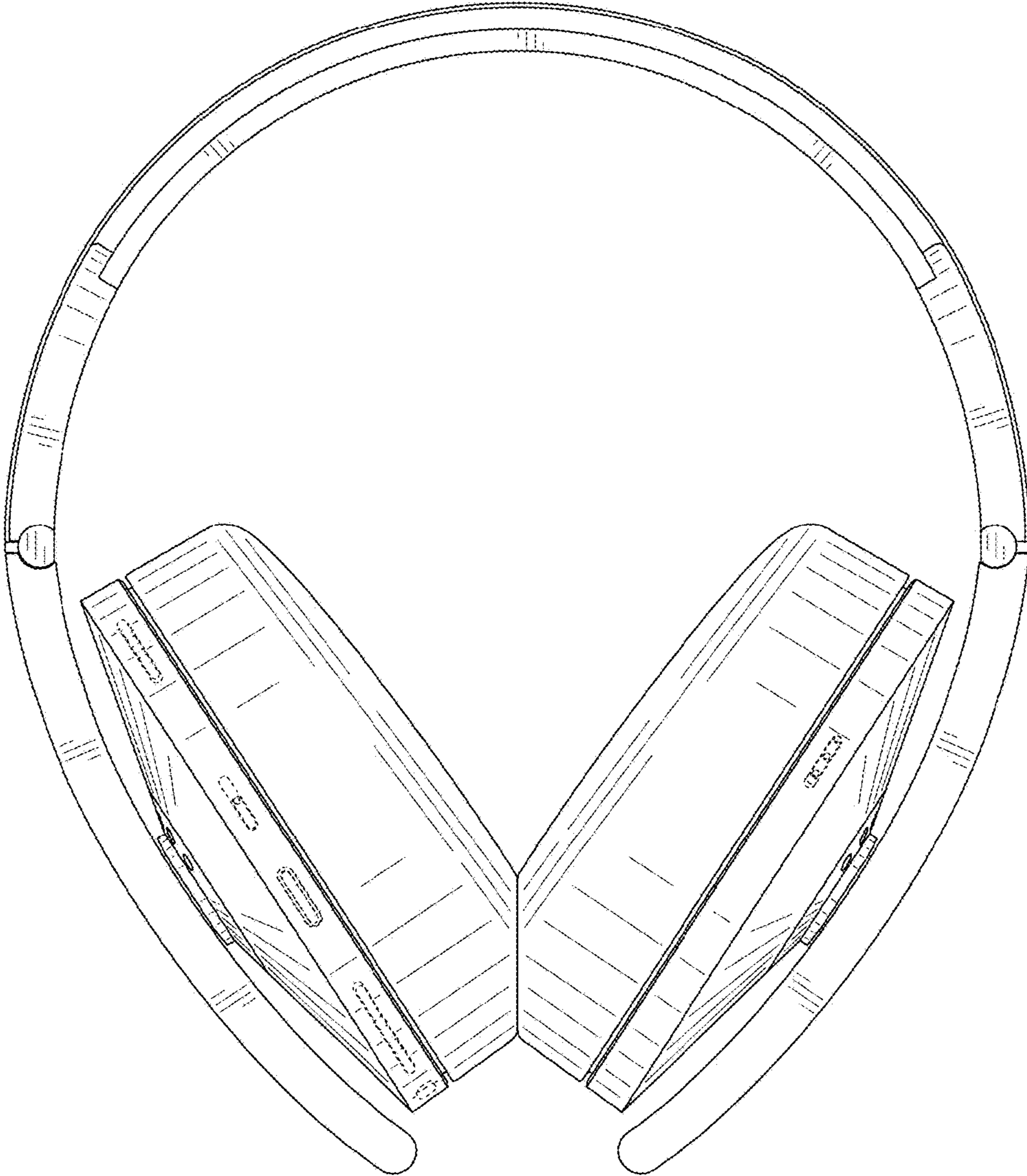


FIG. 3

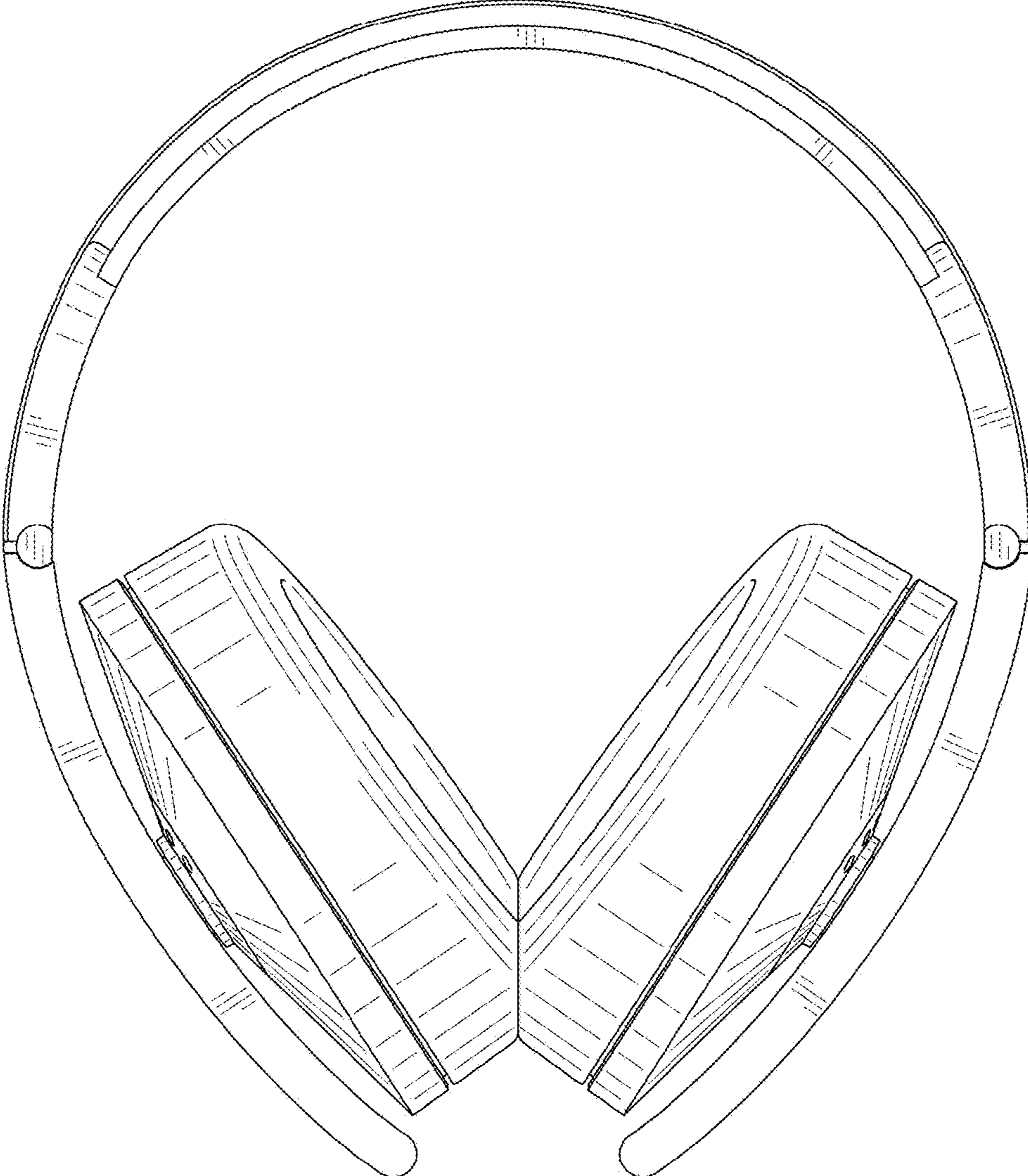
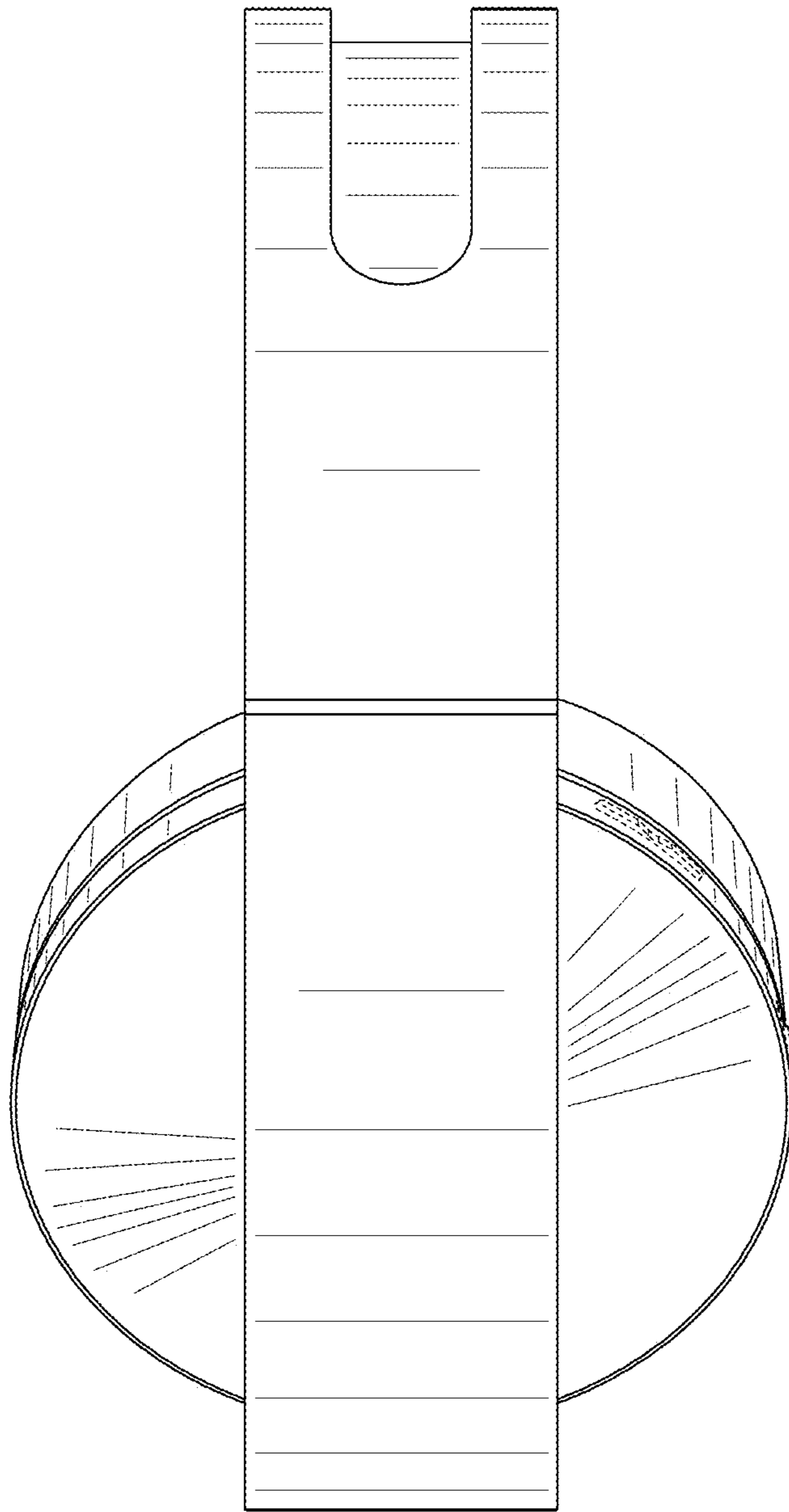
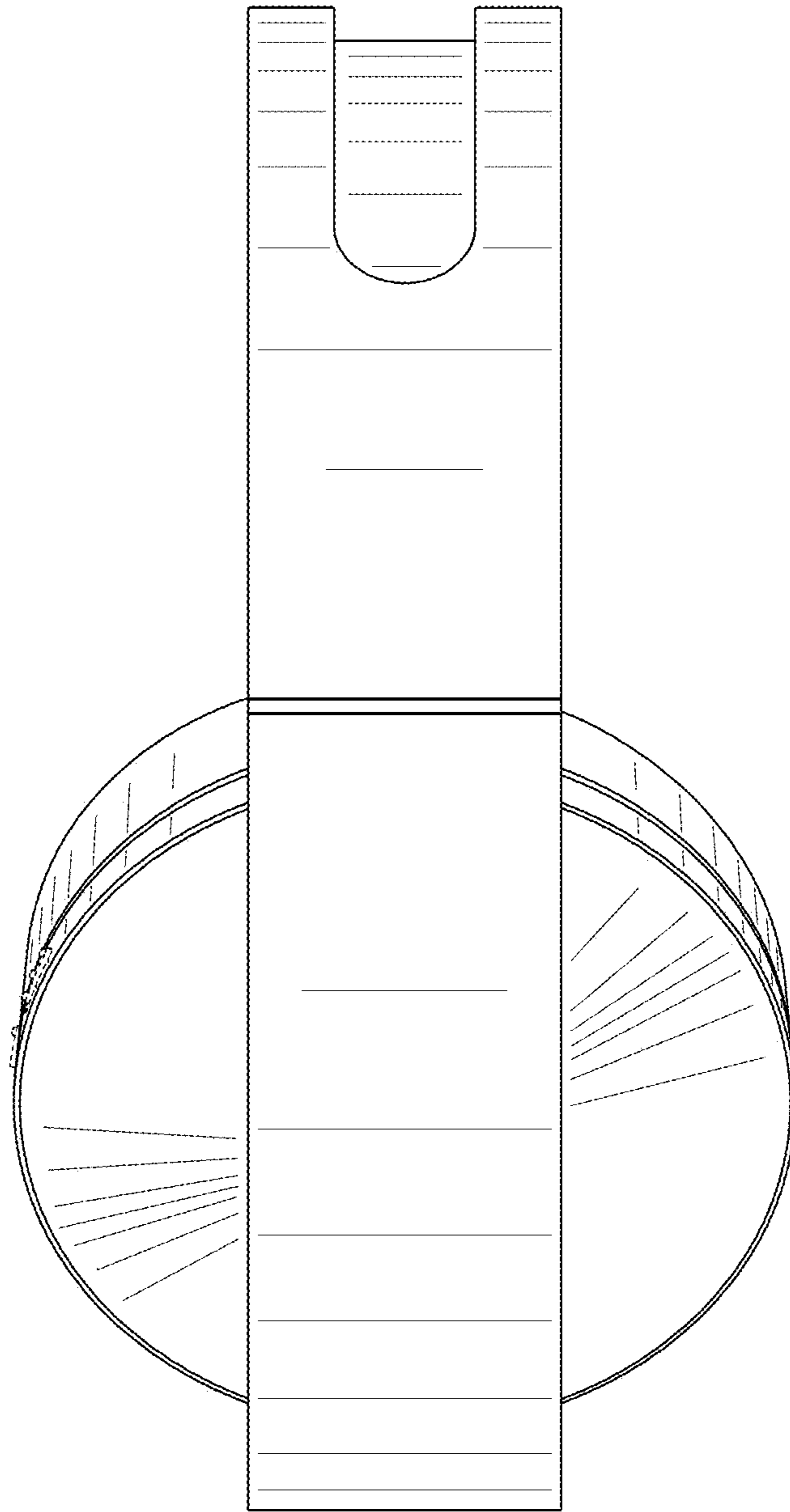


FIG. 4



*FIG. 5*



**FIG. 6**



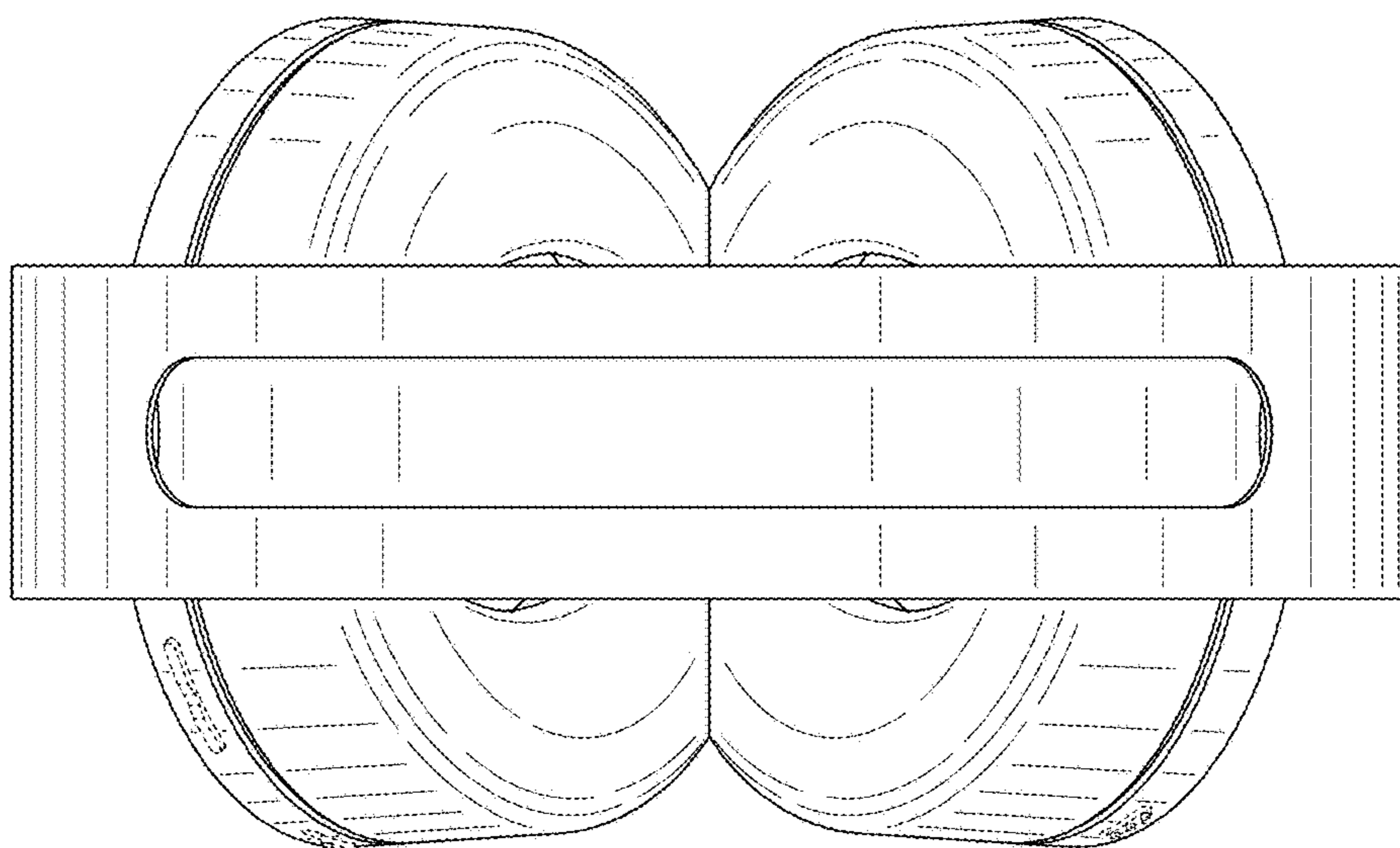


FIG. 7

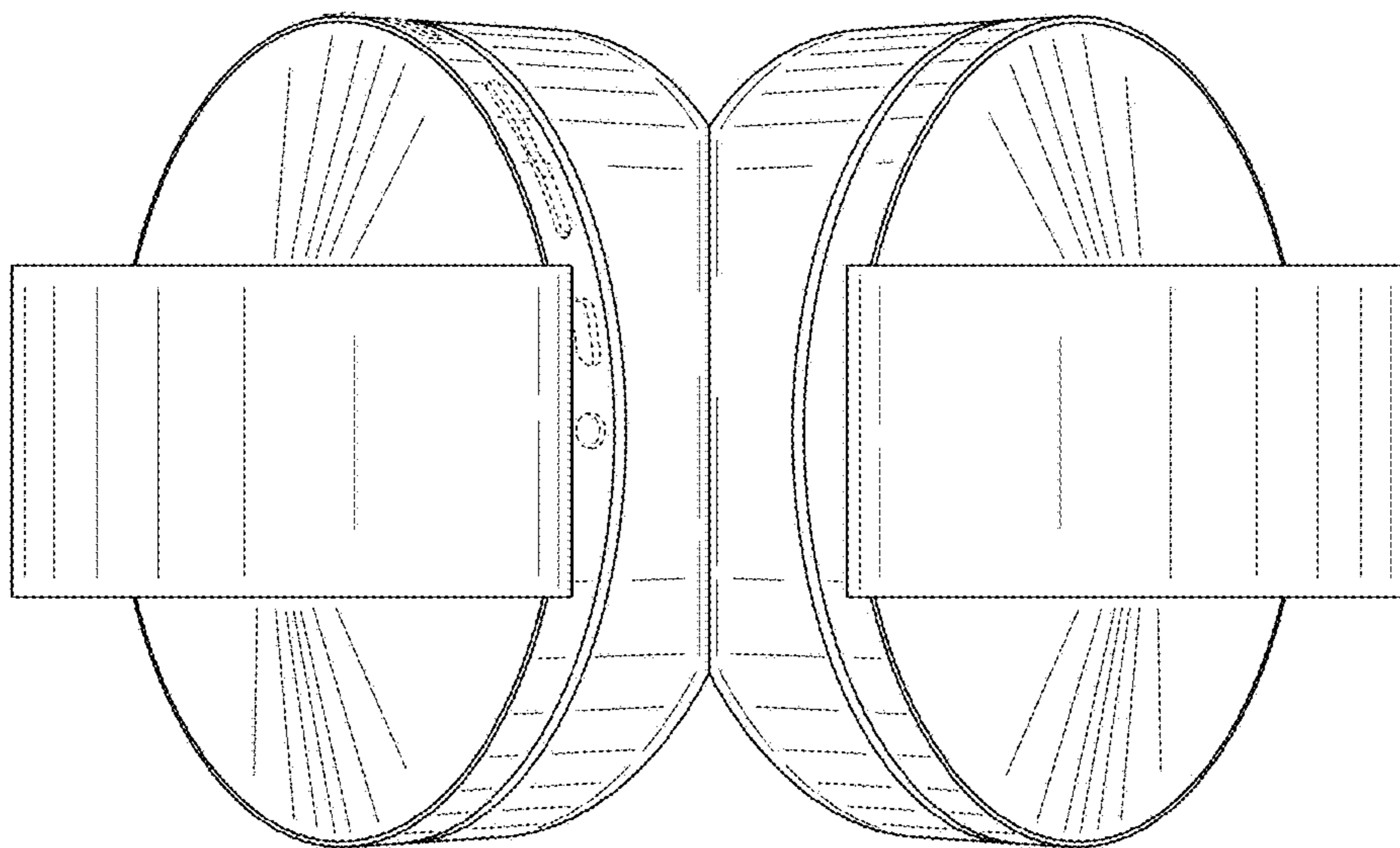


FIG. 8

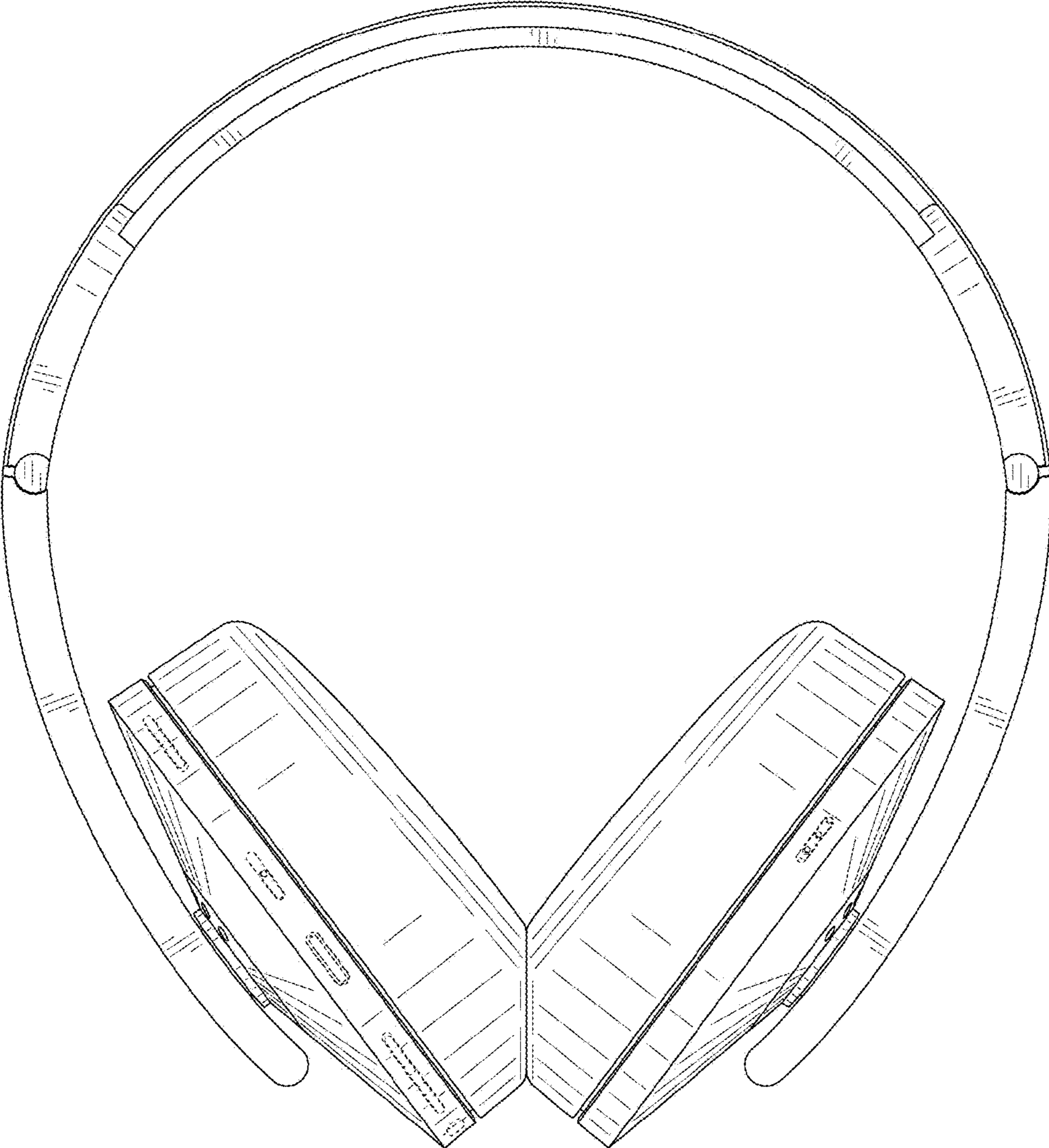


FIG. 9

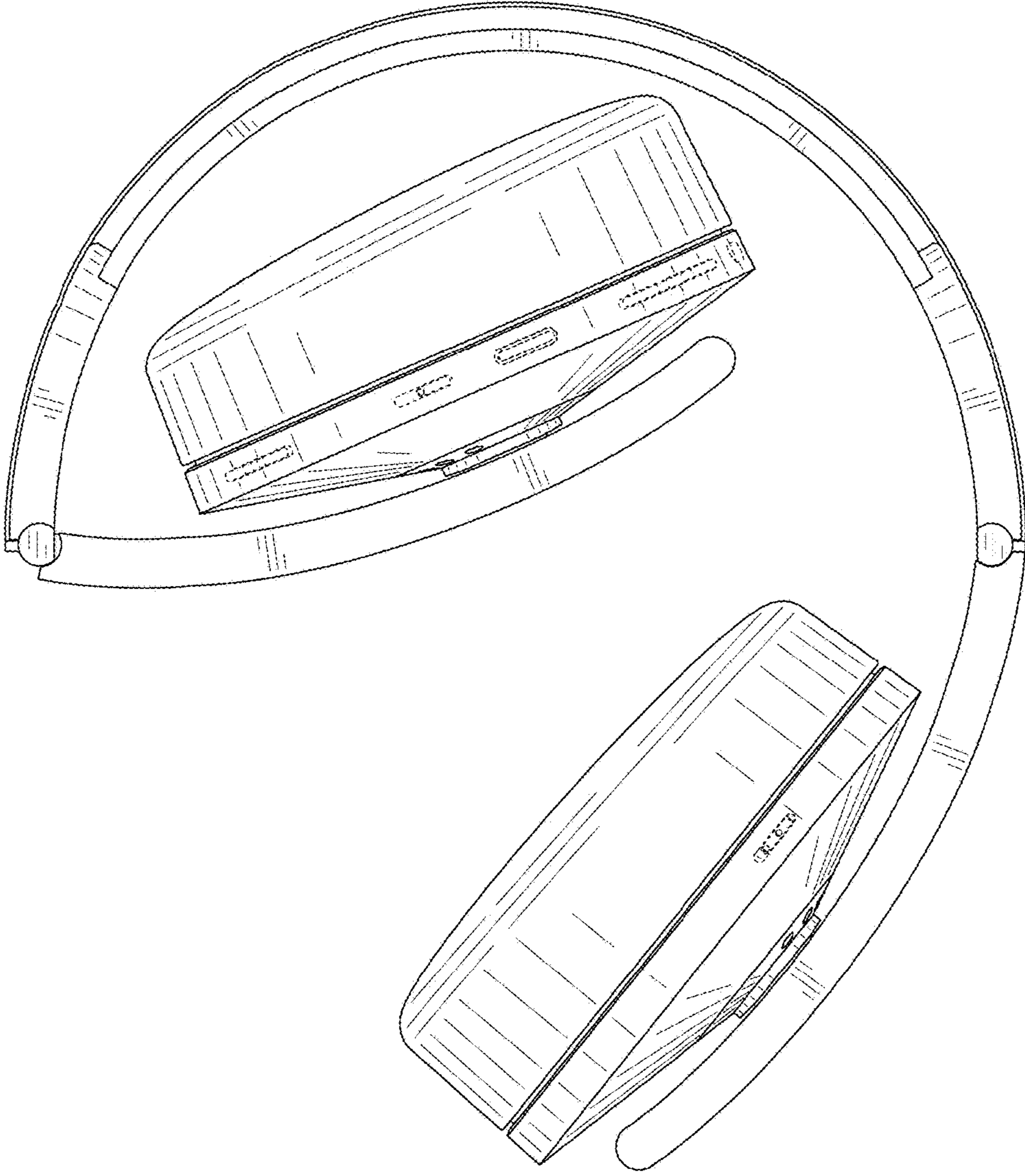


FIG. 10

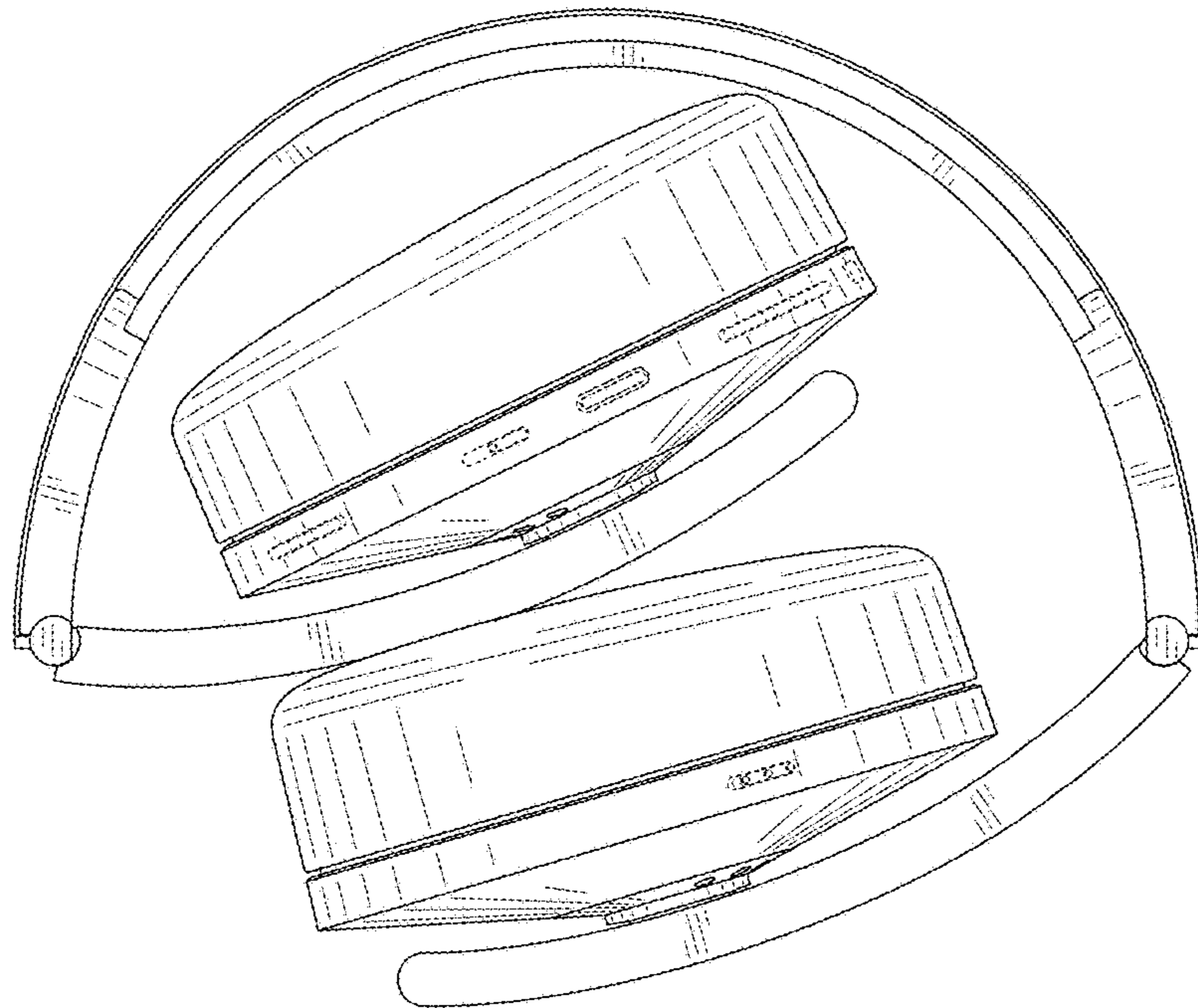


FIG. 11