



US00D808359S

(12) **United States Design Patent**
Meyer et al.

(10) **Patent No.:** **US D808,359 S**

(45) **Date of Patent:** **** Jan. 23, 2018**

(54) **HEADSET**

(71) Applicant: **KINGSTON DIGITAL, INC.**,
Fountain Valley, CA (US)

(72) Inventors: **Julia Meyer**, Munich (DE); **Manuel Gattinger**, München (DE); **Dominik Schütz**, München (DE); **Christian Stapelbroek**, Wuppertal (DE); **Baron K. Lee**, Fountain Valley, CA (US); **Guan-Hua Tzeng**, Hsinchu (TW); **Yu-kuo Huang**, Hsinchu (TW); **Peter Leekuo Chou**, Fountain Valley, CA (US)

(73) Assignee: **Kingston Digital, Inc.**, Fountain Valley, CA (US)

(**) Term: **15 Years**

(21) Appl. No.: **29/563,297**

(22) Filed: **May 3, 2016**

(30) **Foreign Application Priority Data**

Nov. 4, 2015 (TW) 104306159

(51) **LOC (11) Cl.** **14-01**

(52) **U.S. Cl.**
USPC **D14/205; D14/206**

(58) **Field of Classification Search**
USPC D14/205, 206, 188, 192; D29/112;
2/209; 181/129, 130, 135; 379/430, 431;
381/380, 381, 345, 370, 374, 183;
455/90.3, 575.1, 569.1

CPC H04R 1/1066; H04R 1/1016; H04R 25/00;
H04R 5/033; H04R 5/0335; H04R 1/10

See application file for complete search history.

(56) **References Cited**

U.S. PATENT DOCUMENTS

D254,183 S * 2/1980 Doodson D14/205
5,406,037 A * 4/1995 Nageno H04R 5/0335
181/129

5,574,795 A * 11/1996 Seki H04R 5/0335
381/370
5,793,878 A * 8/1998 Chang H04R 5/0335
381/370
D409,197 S * 5/1999 Nakamura D14/205
D410,466 S * 6/1999 Mouri D14/205
D431,550 S * 10/2000 Yoneda D14/205
D457,874 S * 5/2002 Yoneda D14/205
D530,307 S * 10/2006 Rath D14/206
D531,165 S * 10/2006 Rath D14/206
D549,688 S * 8/2007 Suzuki D14/205
D567,215 S * 4/2008 Lee D14/205
7,391,878 B2 * 6/2008 Liao H04R 5/033
381/370
D587,683 S * 3/2009 Ham D14/205
D587,684 S * 3/2009 Ham D14/205
D589,492 S * 3/2009 Mistry D14/205

(Continued)

Primary Examiner — Paula Allen Greene

(74) *Attorney, Agent, or Firm* — Skaar Ulbrich Macari,
P.A.

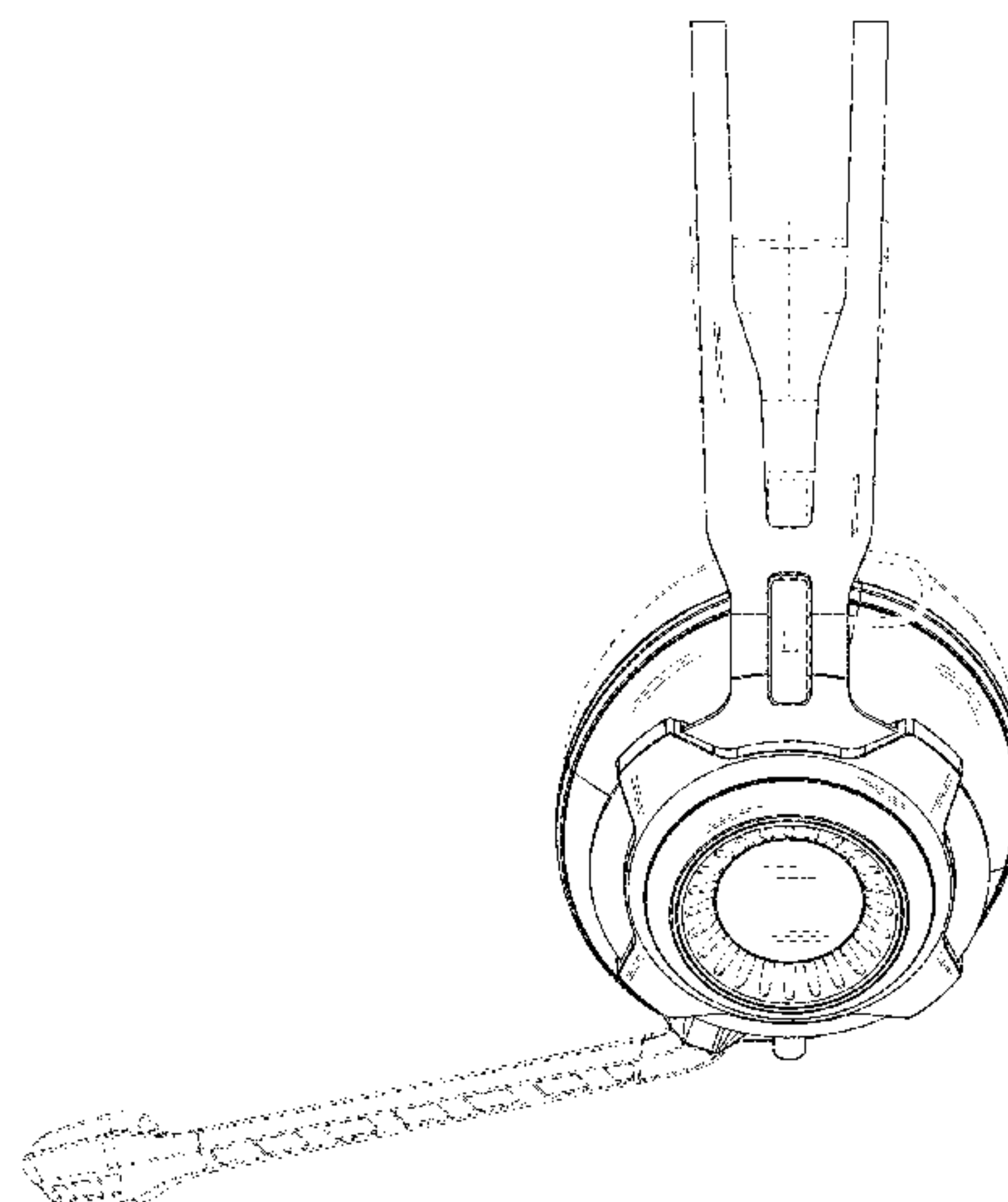
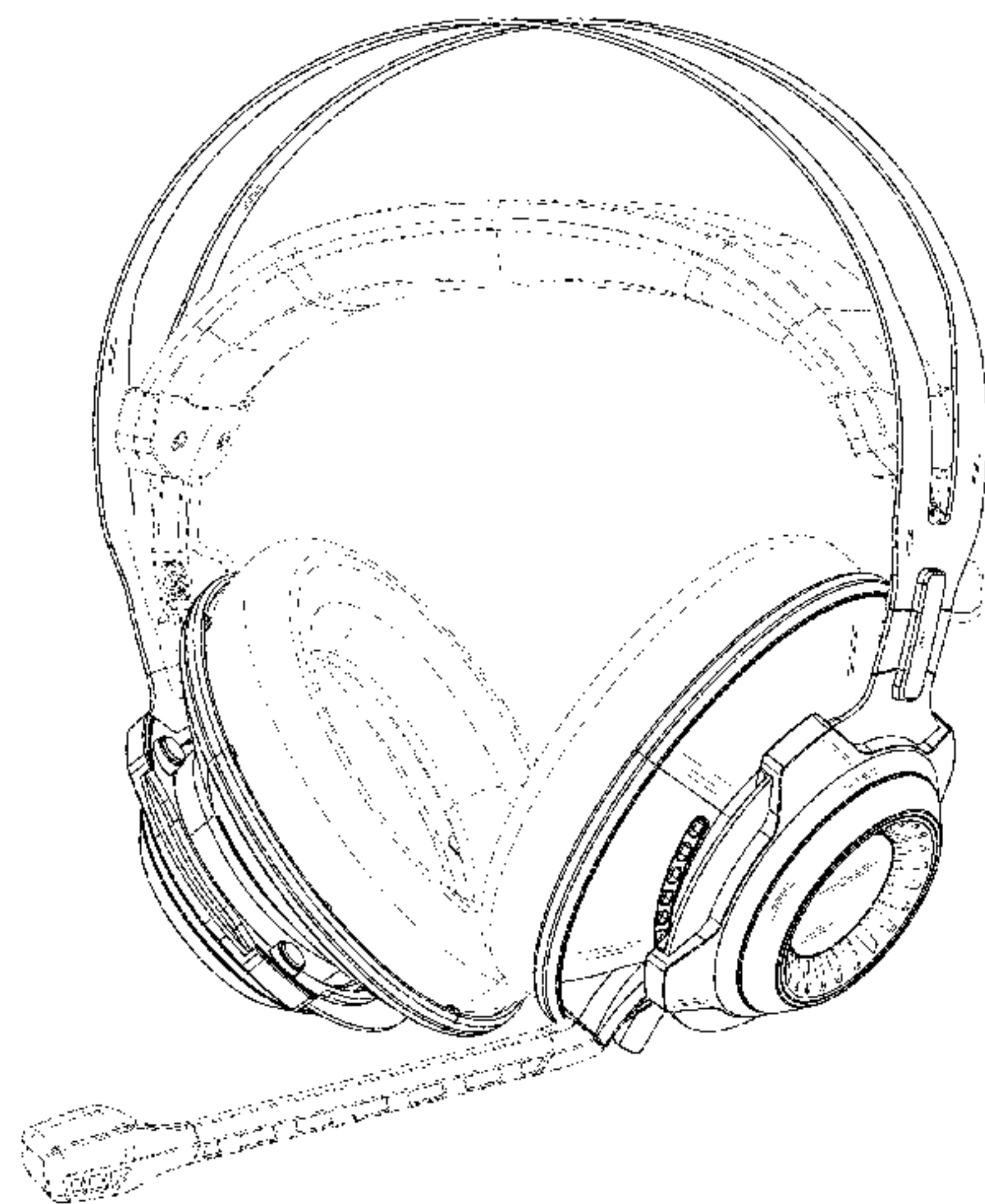
(57) **CLAIM**

We claim an ornamental design for a headset, as shown and described.

DESCRIPTION

FIG. 1 is a perspective view of a headset showing the claimed design;
FIG. 2 is a front elevational view of FIG. 1;
FIG. 3 is a rear elevational view of FIG. 1;
FIG. 4 is a left side elevational view of FIG. 1;
FIG. 5 is a right side elevational view of FIG. 1;
FIG. 6 is a top plan view of FIG. 1; and,
FIG. 7 is a bottom plan view of FIG. 1.
The broken lines of the drawings depict environment that forms no part of the claimed design.

1 Claim, 7 Drawing Sheets



(56)

References Cited

U.S. PATENT DOCUMENTS

D633,896	S *	3/2011	Kondo	D14/205
D641,727	S *	7/2011	Krauss	D14/206
D642,554	S *	8/2011	Schaal	D14/205
D647,081	S *	10/2011	Kwon	D14/223
8,189,847	B2 *	5/2012	Huang	H04R 1/1075
					381/186
D661,685	S *	6/2012	Lee	D14/205
D662,912	S *	7/2012	Iijima	D14/205
D672,745	S *	12/2012	Abed	D14/205
D673,522	S *	1/2013	Iijima	D14/205
D690,682	S *	10/2013	Iacovelli	D14/205
D723,509	S *	3/2015	Garland	D14/205
D729,196	S *	5/2015	Liu	D14/205
D732,001	S *	6/2015	Licht	D14/205
D758,990	S *	6/2016	Jiang	D14/205
D769,219	S *	10/2016	Ohmachi	D14/205
D778,874	S *	2/2017	Lin	D14/205
2001/0017925	A1 *	8/2001	Ceravolo	H04M 1/05
					381/370
2011/0194721	A1 *	8/2011	Schmidt	H04R 1/1066
					381/370

* cited by examiner



FIG.1

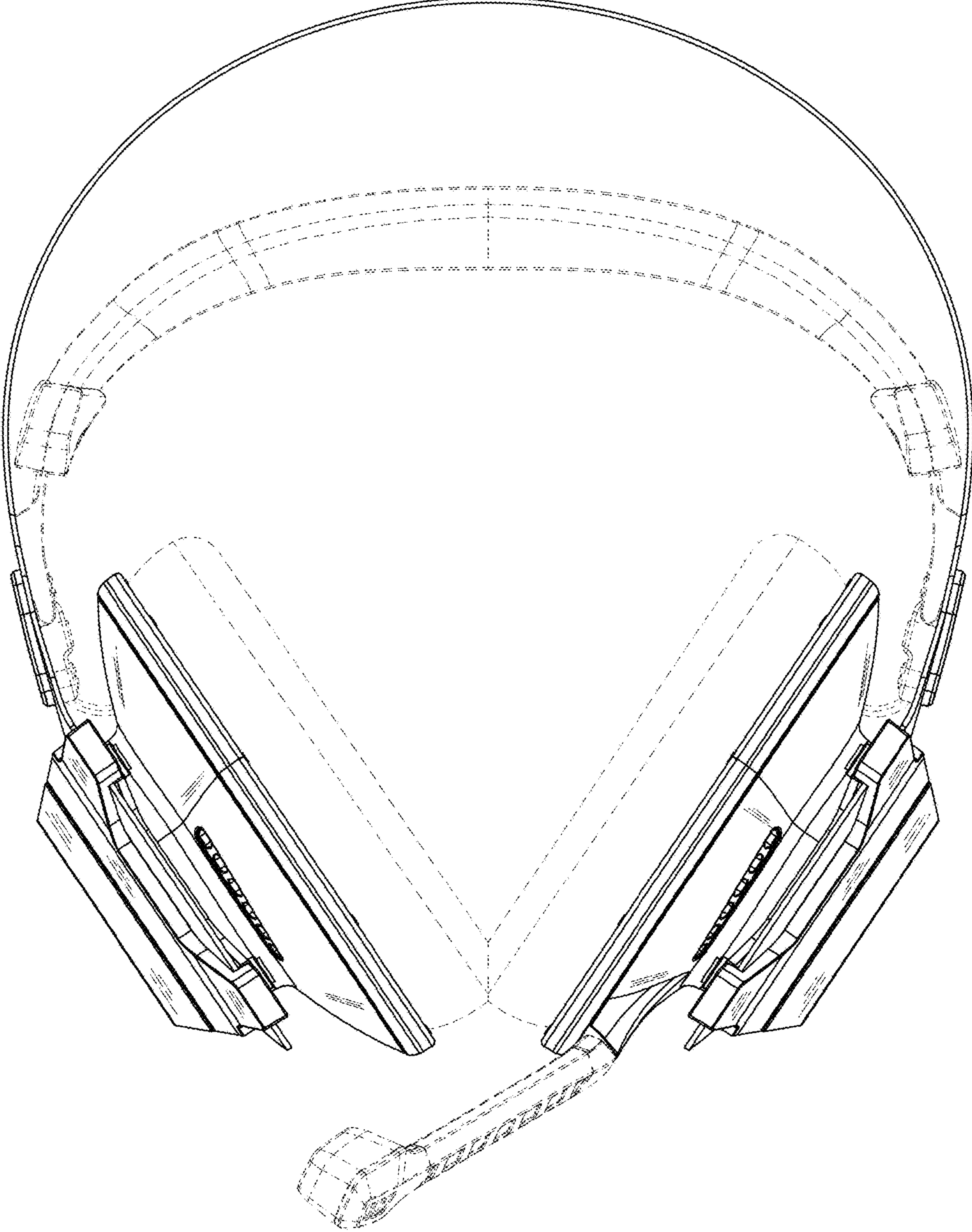


FIG.2

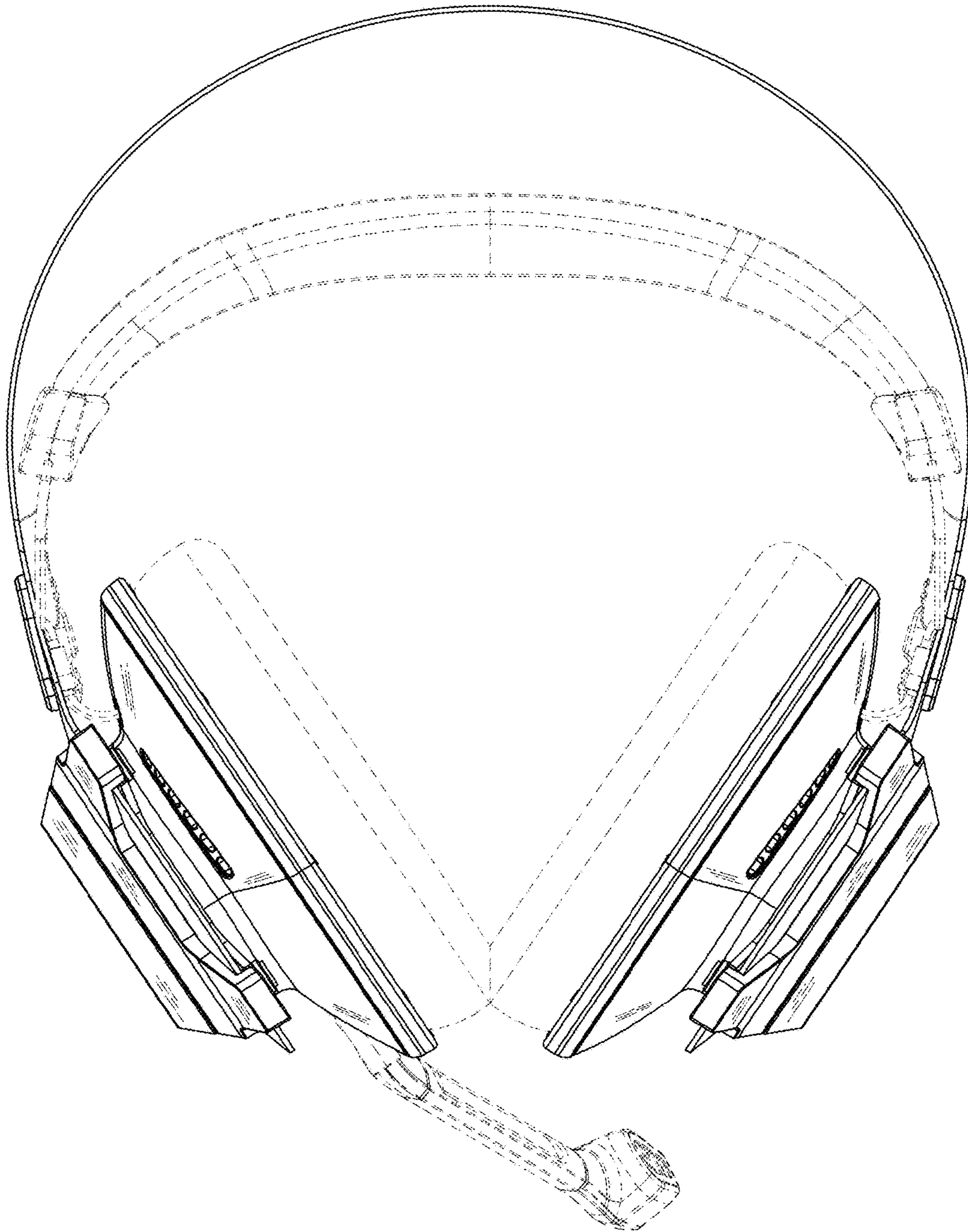


FIG.3

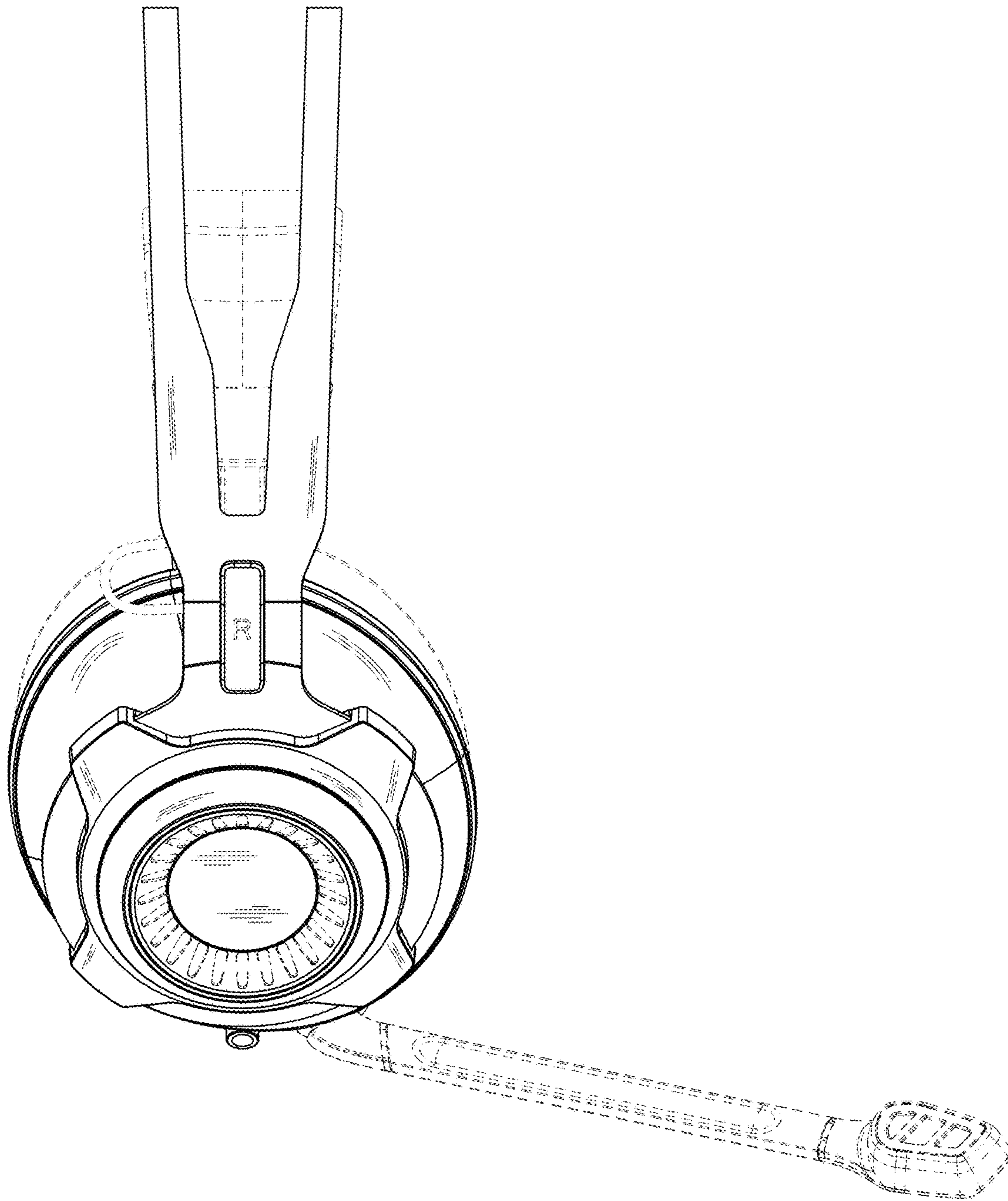


FIG.4

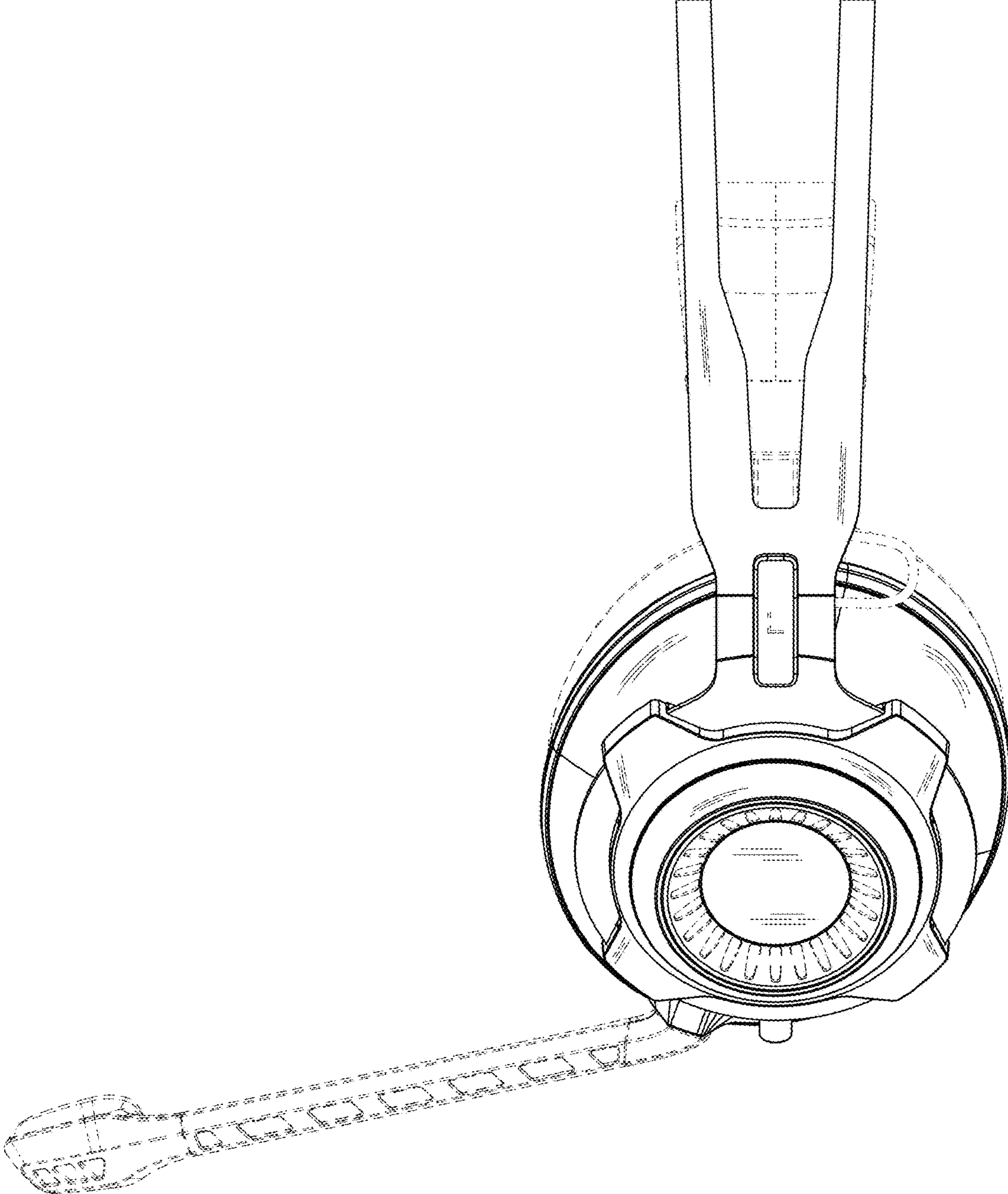


FIG.5

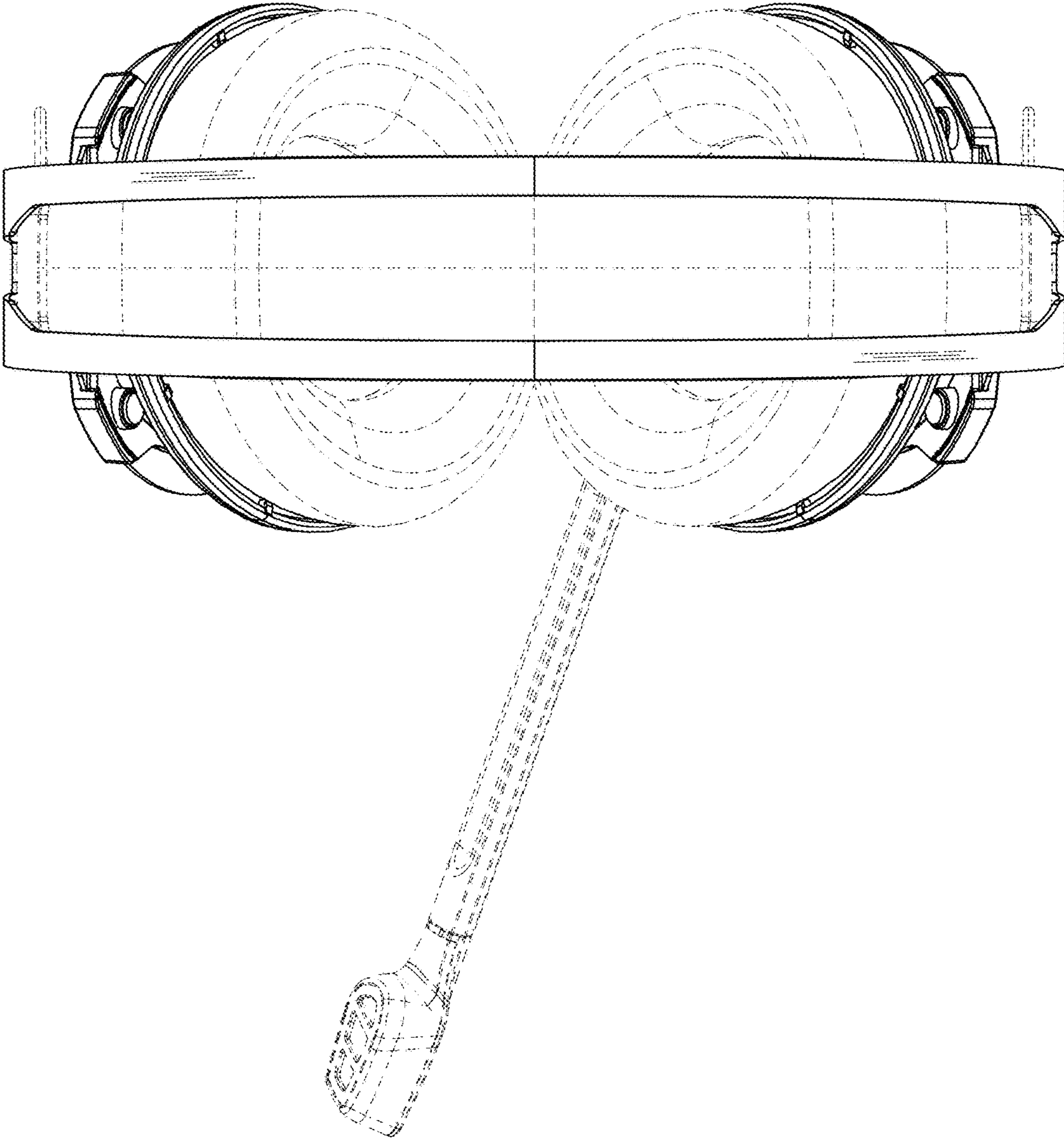


FIG.6

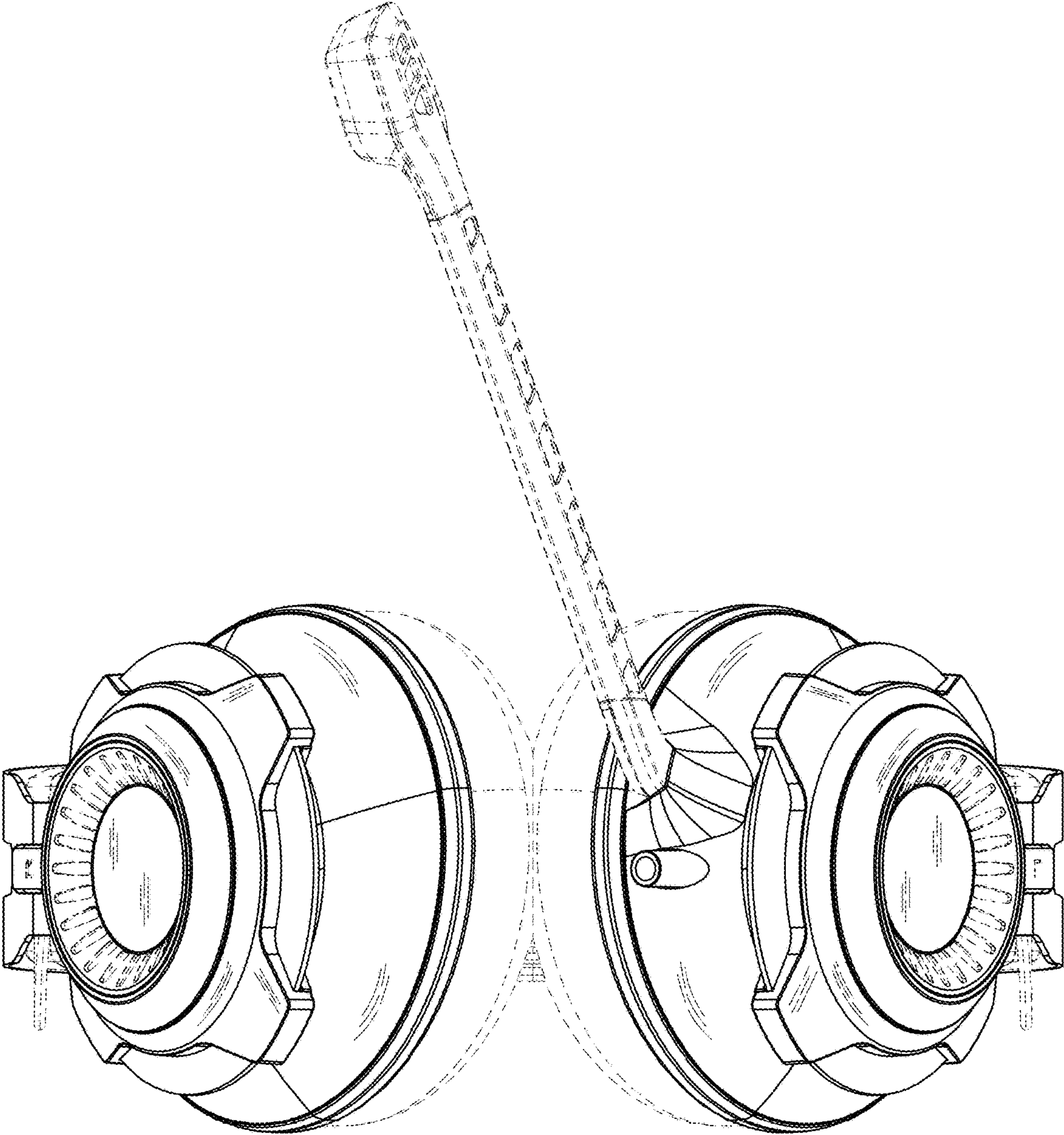


FIG.7