



US00D808358S

(12) **United States Design Patent**
Dennis

(10) **Patent No.:** **US D808,358 S**
(45) **Date of Patent:** **** Jan. 23, 2018**

(54) **HEADPHONE**

(71) Applicant: **George Joseph Dennis**, Scottsdale, AZ
(US)

(72) Inventor: **George Joseph Dennis**, Scottsdale, AZ
(US)

(**) Term: **15 Years**

(21) Appl. No.: **29/563,282**

(22) Filed: **May 3, 2016**

(51) **LOC (11) Cl.** **14-01**

(52) **U.S. Cl.**
USPC **D14/205**

(58) **Field of Classification Search**
USPC D14/205, 188, 192, 206; D29/112;
2/209; 181/129, 130, 135; 379/430, 431;
(Continued)

(56) **References Cited**

U.S. PATENT DOCUMENTS

D229,833 S * 1/1974 Becker D14/205
4,409,442 A * 10/1983 Kamimura H04R 5/0335
381/370

(Continued)

OTHER PUBLICATIONS

Sennheiser Electronic GmbH & Co. KG, Quick Guide, Jul. 2012, in
1 page, Wedemark, Germany.

(Continued)

Primary Examiner — Paula Allen Greene

(74) *Attorney, Agent, or Firm* — Knobbe, Martens, Olson
& Bear, LLP

(57) **CLAIM**

The ornamental design for a headphone, as shown and
described.

DESCRIPTION

FIG. 1 is a top perspective view showing a headphone.
FIG. 2 is a bottom perspective view thereof.

FIG. 3 is a front view thereof.
FIG. 4 is a rear view thereof.
FIG. 5 is a right side view thereof.
FIG. 6 is a left side view thereof.
FIG. 7 is a top view thereof.
FIG. 8 is a bottom view thereof.
FIG. 9 is a top perspective view of a right ear cup of the
headphone of FIGS. 1 through 8 shown separately for
purposes of illustration.
FIG. 10 is a bottom perspective view thereof.
FIG. 11 is a left side view thereof.
FIG. 12 is a right side view thereof.
FIG. 13 is a front view thereof.
FIG. 14 is a rear view thereof.
FIG. 15 is a top view thereof.
FIG. 16 is a bottom view thereof.
FIG. 17 is a top perspective view of a left ear cup of the
headphone of FIGS. 1 through 8 shown separately for
purposes of illustration.
FIG. 18 is a bottom perspective view thereof.
FIG. 19 is a left side view thereof.
FIG. 20 is a right side view thereof.
FIG. 21 is a front view thereof.
FIG. 22 is a rear view thereof.
FIG. 23 is a top view thereof.
FIG. 24 is a bottom view thereof.
FIG. 25 is a top perspective view of the left ear cup of the
headphone of FIGS. 17 through 24 shown separately for
purposes of illustration, and with the lines denoting color
removed and shading added.
FIG. 26 is a bottom perspective view thereof.
FIG. 27 is a left side view thereof.
FIG. 28 is a right side view thereof.
FIG. 29 is a front view thereof.
FIG. 30 is a rear view thereof.
FIG. 31 is a top view thereof.
FIG. 32 is a bottom view thereof.
FIG. 33 is a top perspective view of the right ear cup of the
headphone of 9-16 shown separately for purposes of illus-
tration, and with the lines denoting color removed and
shading added.
FIG. 34 is a bottom perspective view thereof.
FIG. 35 is a left side view thereof.
FIG. 36 is a right side view thereof.

(Continued)

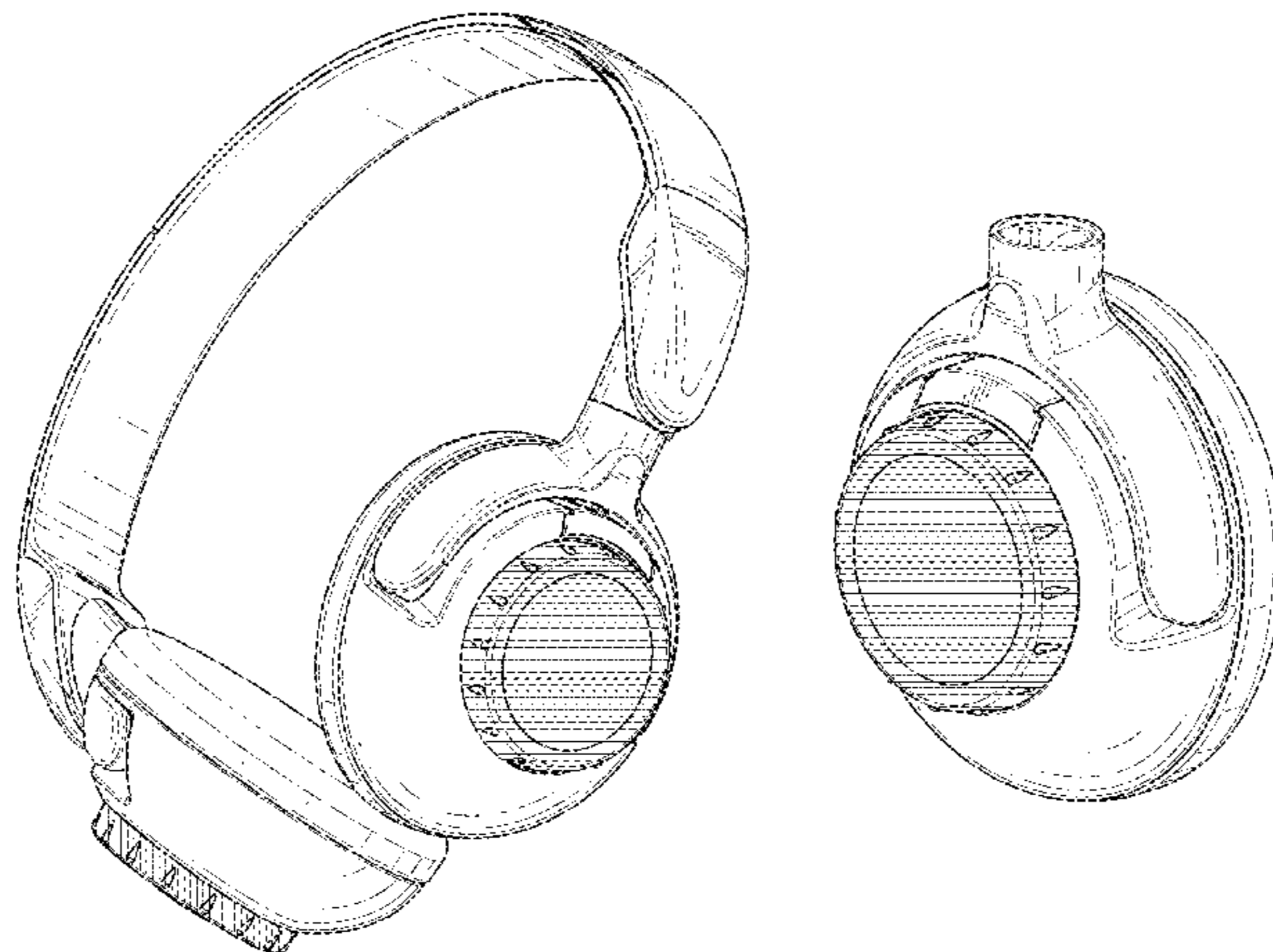


FIG. 37 is a front view thereof.

FIG. 38 is a rear view thereof.

FIG. 39 is a top view thereof; and,

FIG. 40 is a bottom view thereof.

In FIGS. 1 through 24, the knob of the left ear cup (right from the perspective of the wearer) is lined to indicate Pantone No. 187 Red and the knob of the right ear cup (left from the perspective of the wearer) is lined to indicate Pantone No. 287 Blue. The broken lines of FIGS. 9, 15, 17, 23, 25, 31, 33 and 39 are directed to environment that are for illustrative purposes only; the broken lines form no part of the claimed design.

1 Claim, 21 Drawing Sheets

(58) **Field of Classification Search**

USPC 381/380, 381, 74, 370, 374; 455/90.3, 455/575.1, 569.1

CPC H04R 1/1066; H04R 1/1016; H04R 1/10; H04R 25/00; H04R 5/033; H04R 5/0335

See application file for complete search history.

(56) **References Cited**

U.S. PATENT DOCUMENTS

D328,074 S * 7/1992 Yamazaki D14/205
 D328,461 S * 8/1992 Daido D14/205
 D345,163 S * 3/1994 Yamatogi D14/205
 D353,818 S * 12/1994 Nakamura D14/205
 D358,390 S * 5/1995 Hayashi D14/205
 D358,391 S * 5/1995 Isono D14/205
 5,640,458 A * 6/1997 Nishiguchi G11C 7/16
 381/2
 5,862,241 A * 1/1999 Nelson H04R 1/1066
 381/374
 6,006,115 A * 12/1999 Wingate H04M 1/6033
 379/110.01
 D431,550 S * 10/2000 Yoneda D14/205
 D453,015 S * 1/2002 Yuyama D14/192

D457,512 S * 5/2002 Yoneda D14/205
 D476,639 S * 7/2003 Bergeron D14/205
 D484,485 S * 12/2003 Matsuoka D14/205
 D491,163 S * 6/2004 Green D14/205
 D510,335 S * 10/2005 Suzuki D14/205
 D514,087 S * 1/2006 Wilson D14/206
 D532,407 S * 11/2006 Motoishi D14/205
 D563,382 S * 3/2008 Wikel D14/205
 7,388,960 B2 * 6/2008 Kuo H04R 1/1041
 379/430
 D573,581 S * 7/2008 Gondo D14/205
 7,412,070 B2 * 8/2008 Kleinschmidt H04R 1/1083
 381/370
 D585,871 S * 2/2009 Lee D14/205
 D592,639 S * 5/2009 Kuh D14/205
 D594,847 S * 6/2009 Suzuki D14/205
 D603,370 S * 11/2009 Suzuki D14/205
 8,098,872 B2 * 1/2012 Chang H04R 1/1075
 381/370
 D662,080 S * 6/2012 Carr D14/205
 D674,767 S * 1/2013 Brunner D14/205
 D684,559 S * 6/2013 Groset D14/205
 D719,136 S * 12/2014 Schaal D14/205
 D721,052 S * 1/2015 Carr D14/205
 D734,297 S * 7/2015 Sasaki D14/205
 D755,753 S * 5/2016 Nakagawa D14/205
 D758,990 S * 6/2016 Jiang D14/205
 D765,055 S * 8/2016 Hsieh D14/205
 D768,110 S * 10/2016 Suzuki D14/205
 2008/0181435 A1 * 7/2008 Ozaki H03G 3/348
 381/107
 2014/0254854 A1 * 9/2014 Blonder H04R 1/1066
 381/371
 2015/0063586 A1 * 3/2015 Shah H04R 1/1041
 381/74

OTHER PUBLICATIONS

Beats Studio, Quick Start Guide, 2013, Beats Electronics, LLC, in 7 pages.
 Bose, Bose QuietComfort 25, Acoustic Noise Cancelling headphones, 2015, in 2 pages, Framingham, Massachusetts.

* cited by examiner

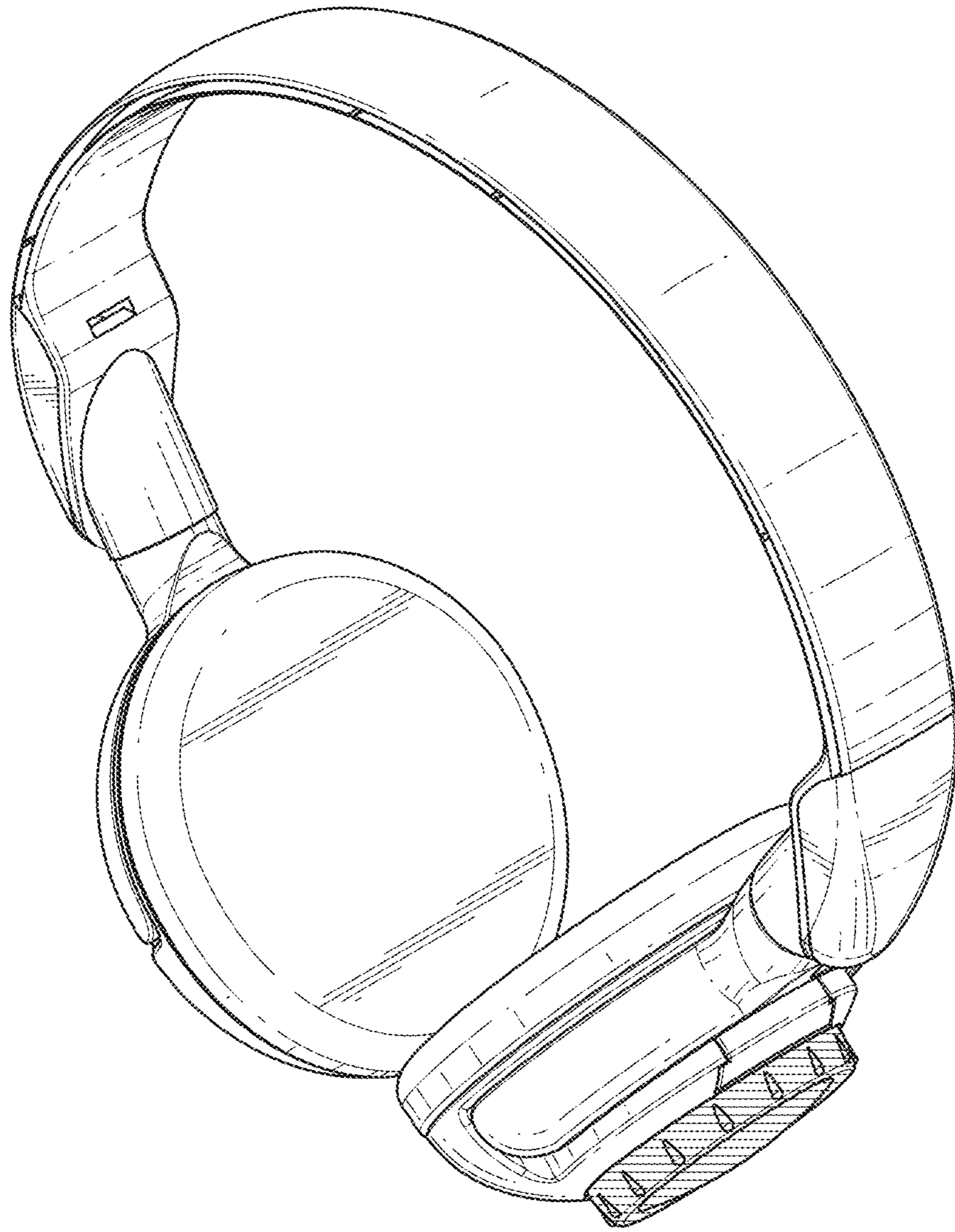


FIG. 1

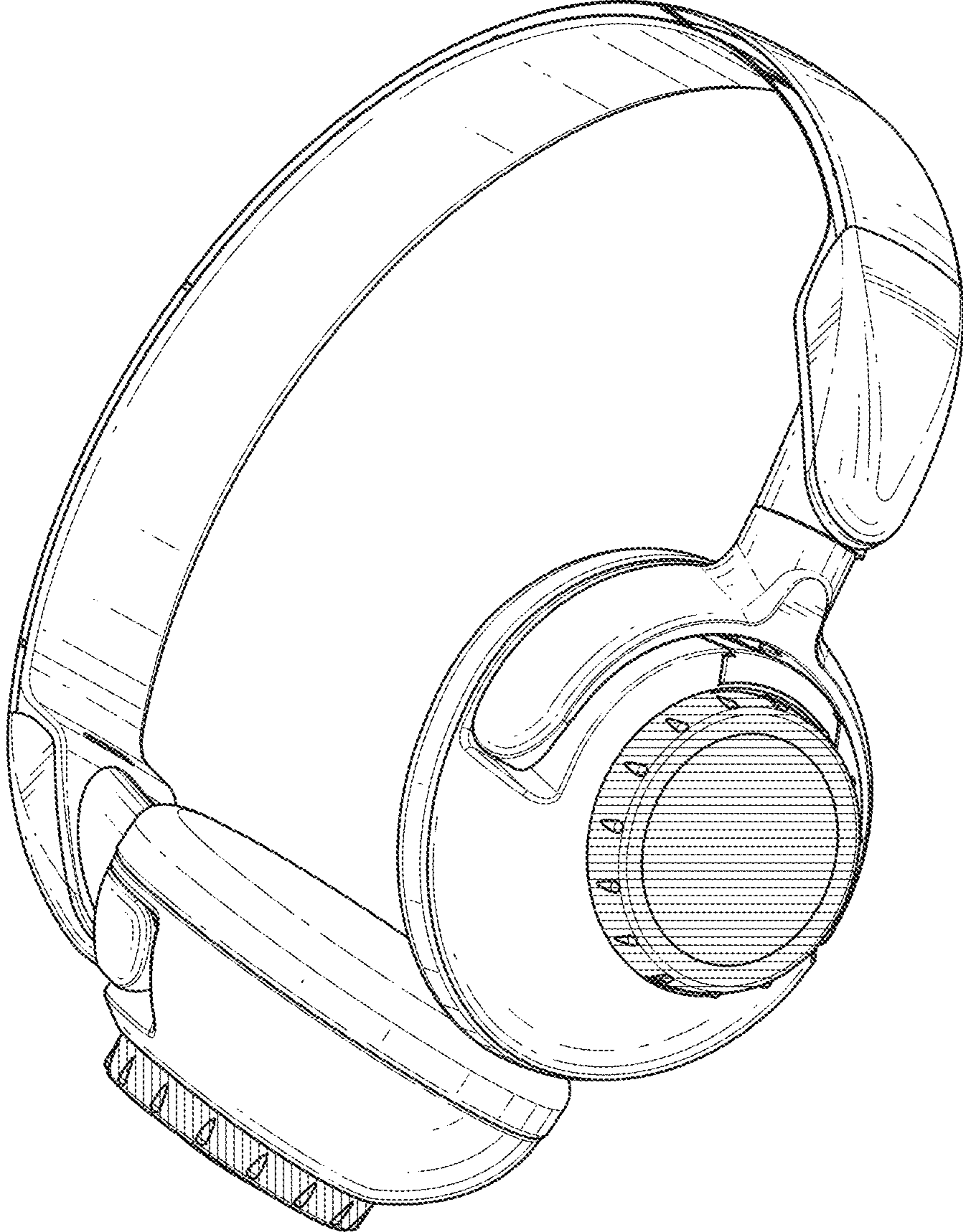


FIG. 2

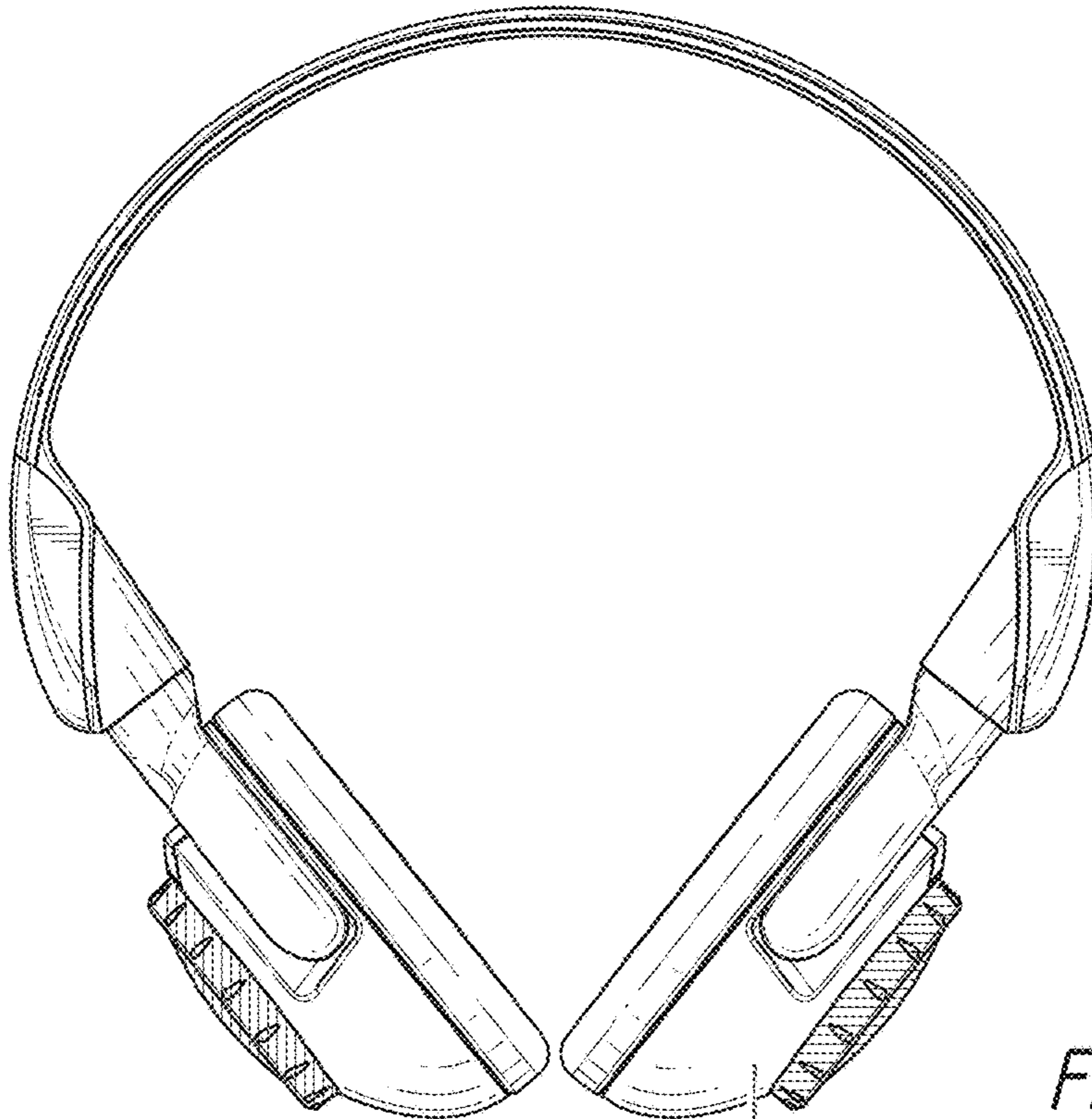


FIG. 3

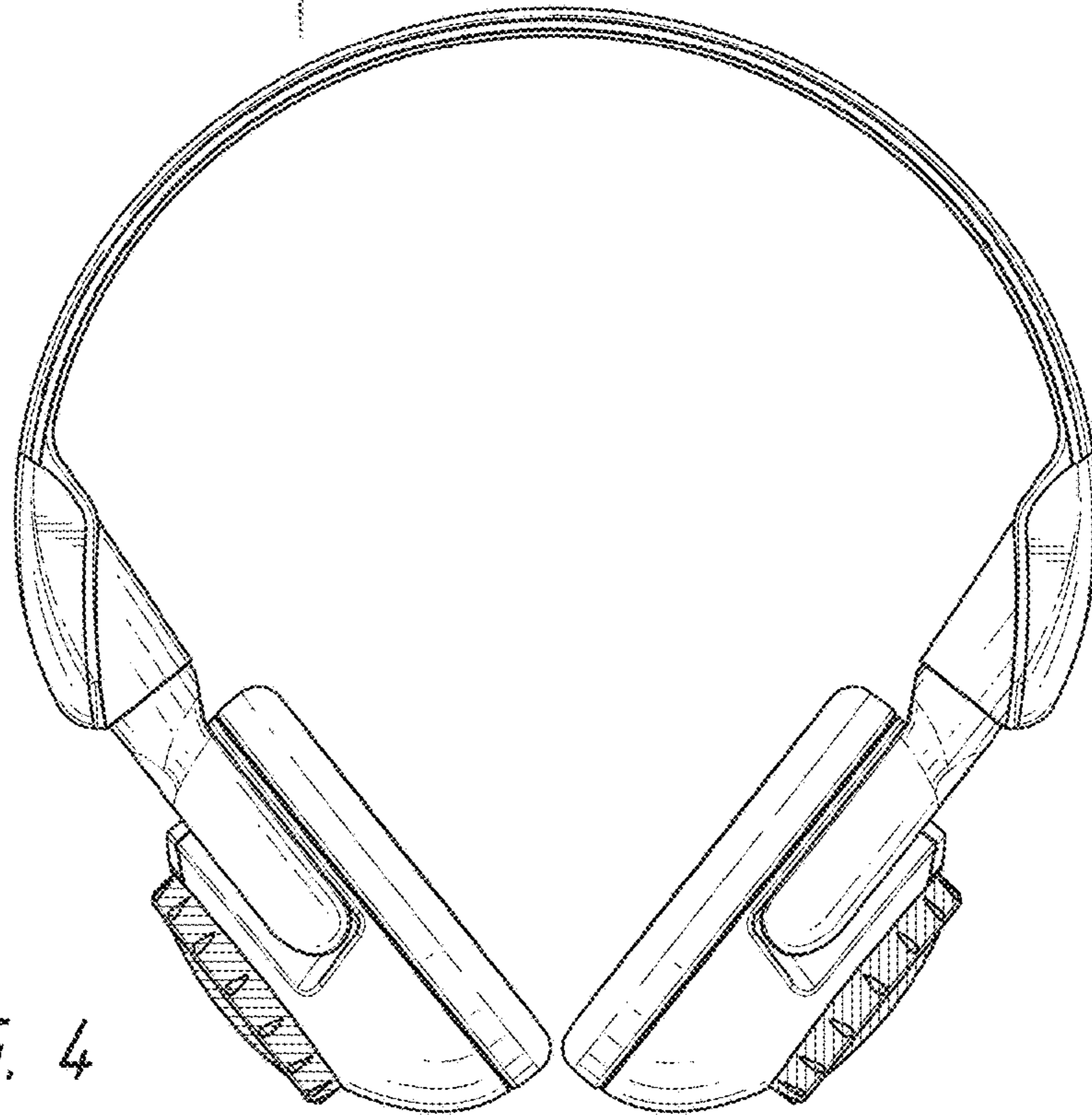


FIG. 4

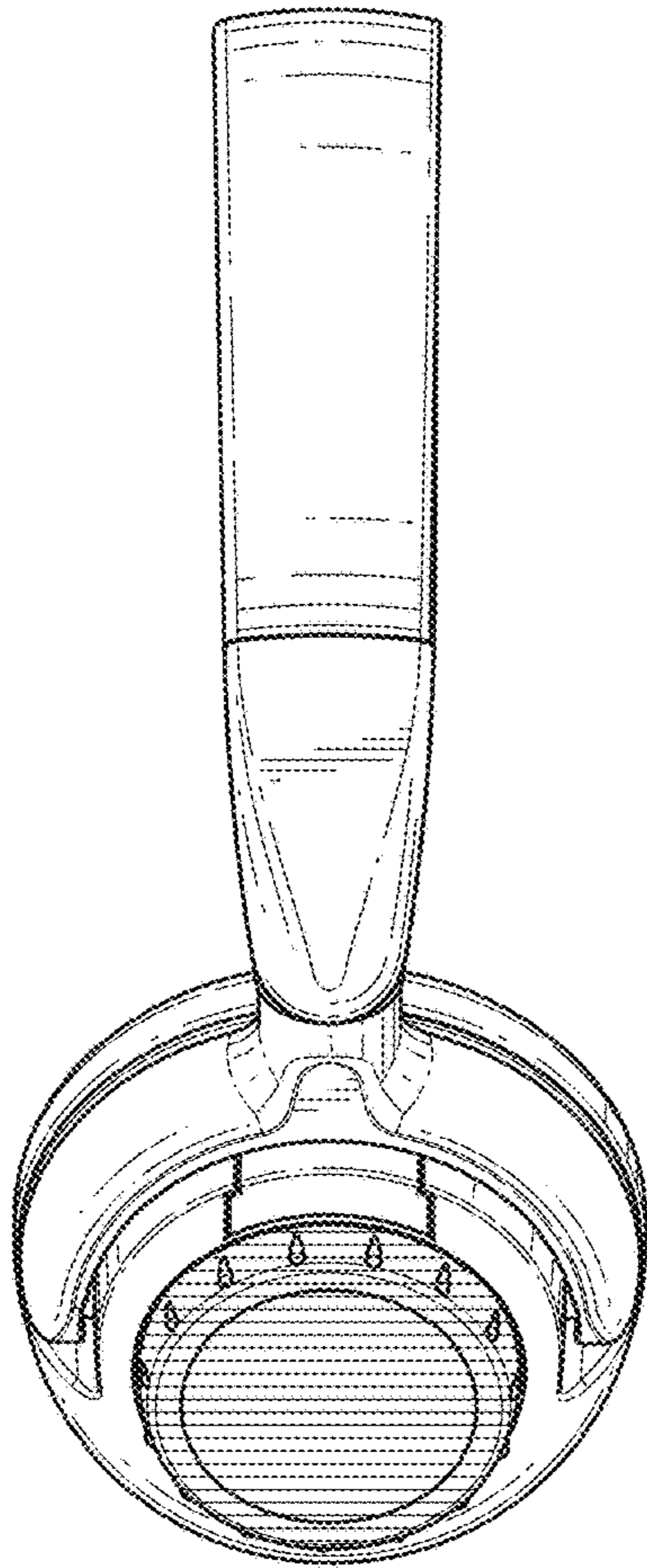


FIG. 5

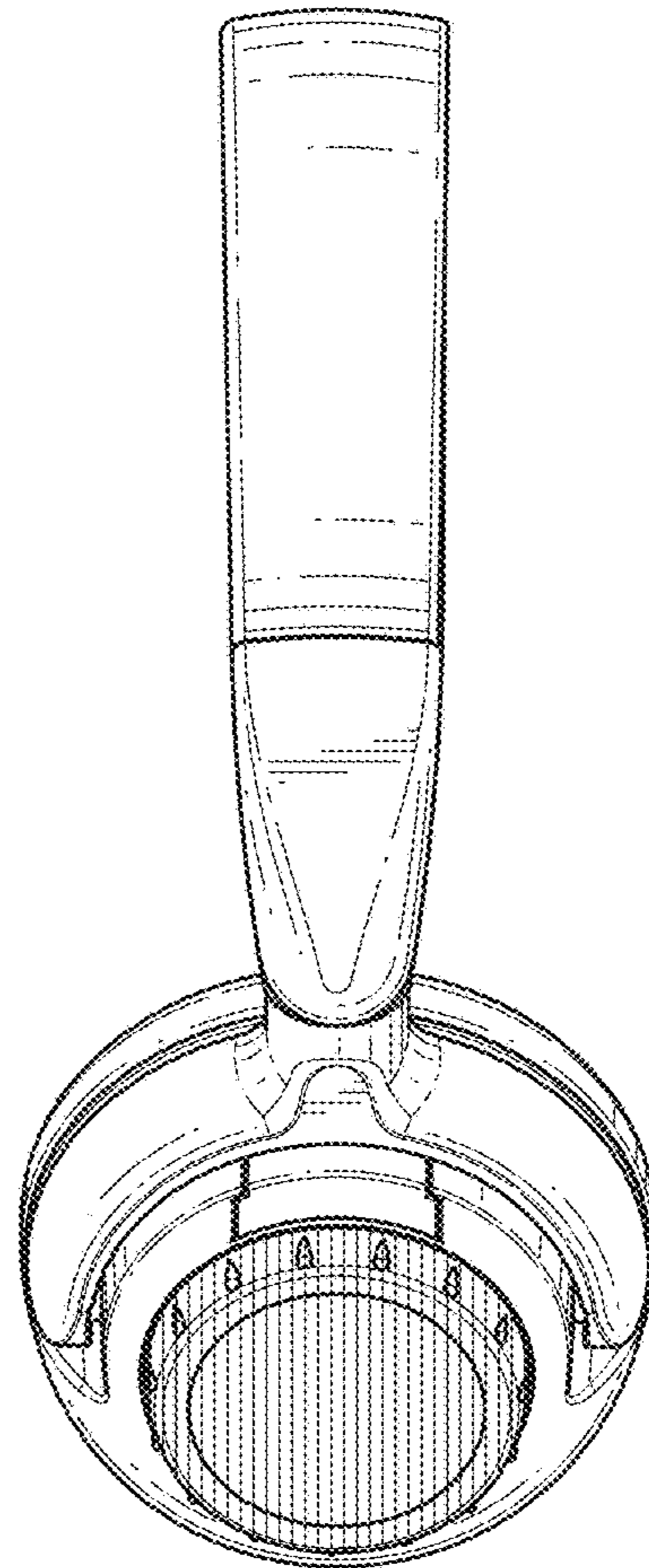


FIG. 6

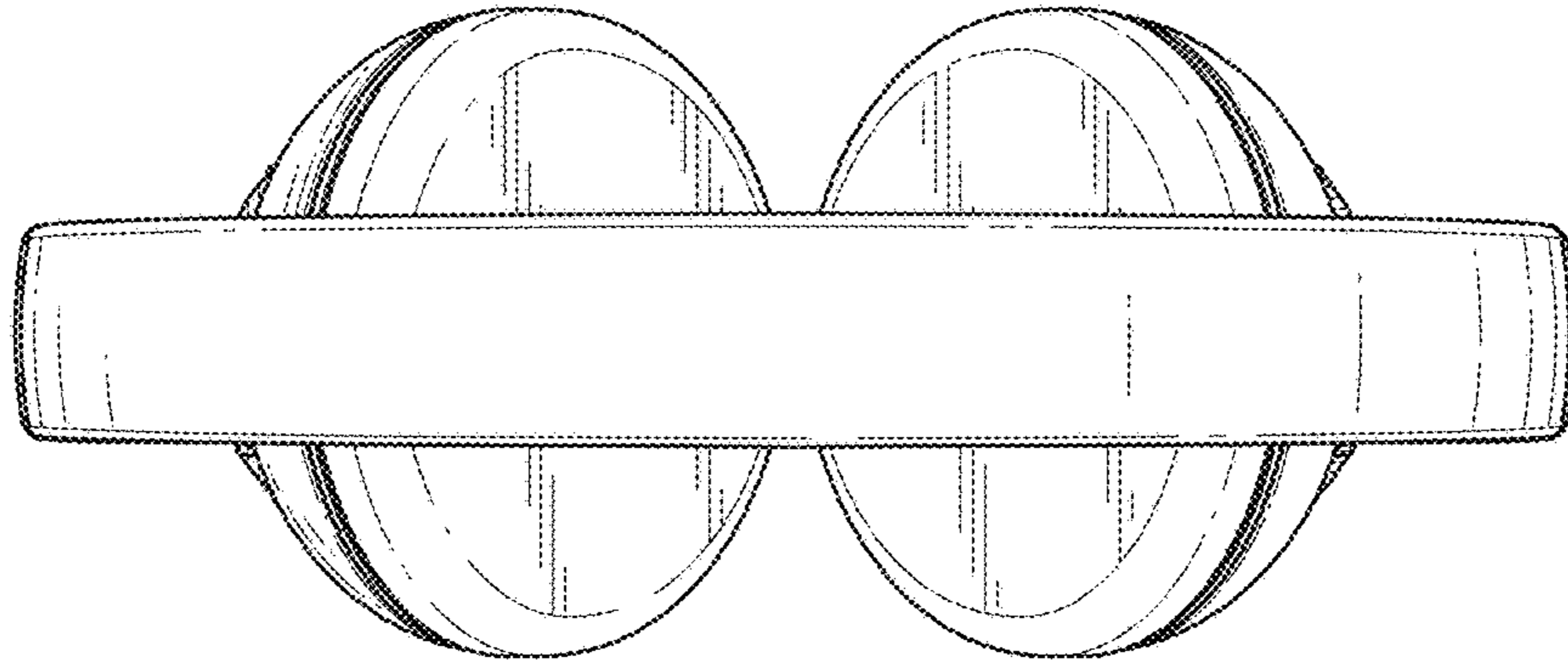


FIG. 7

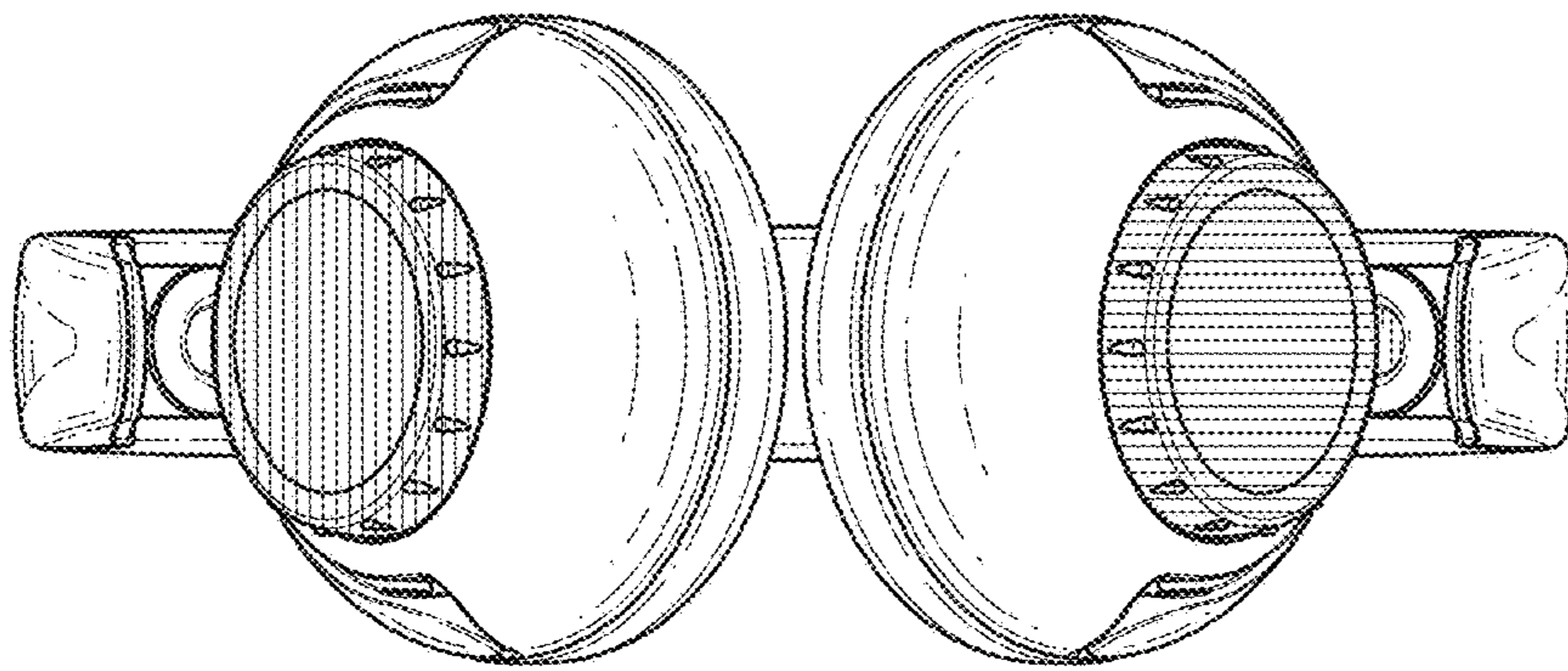


FIG. 8

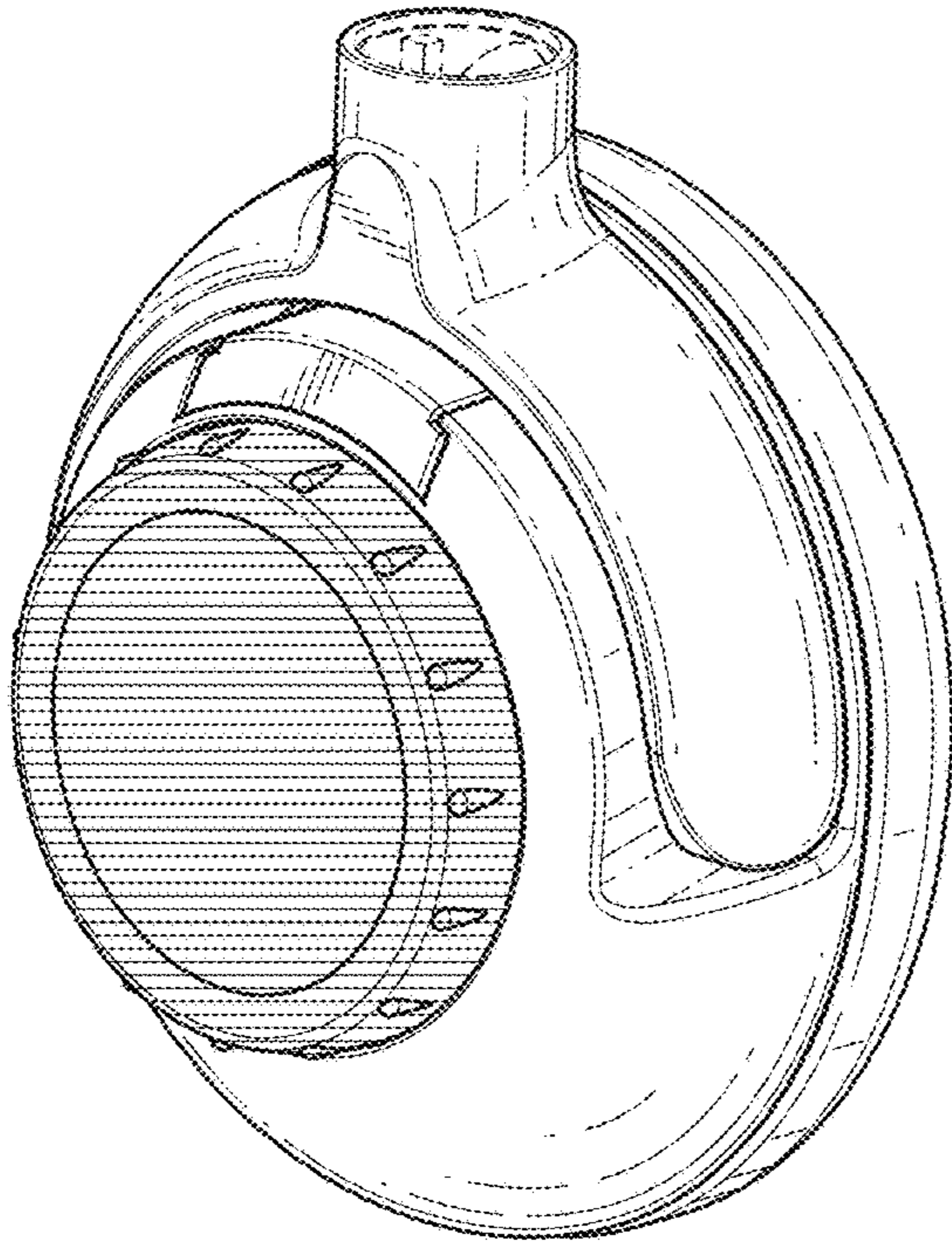


FIG. 9

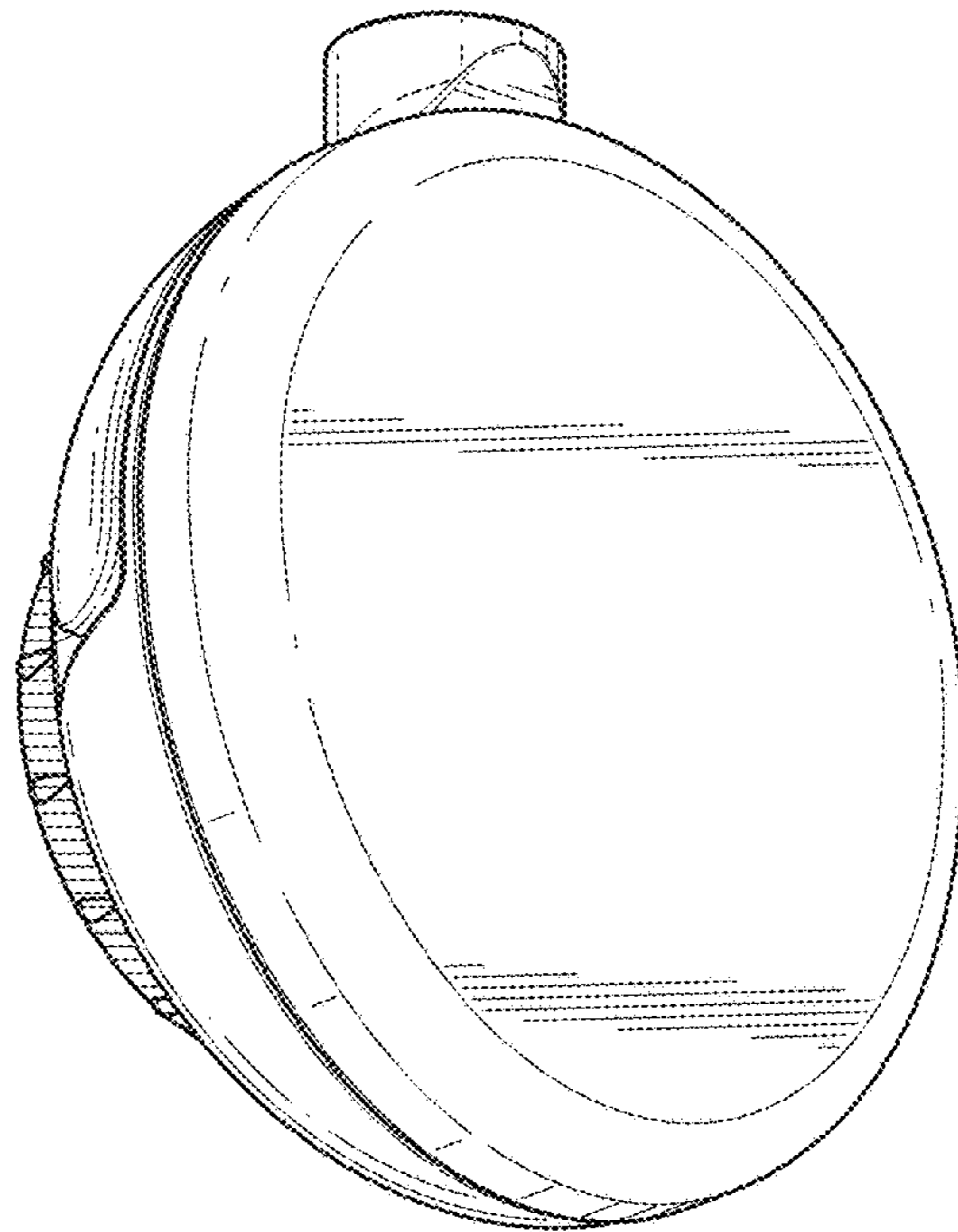


FIG. 10

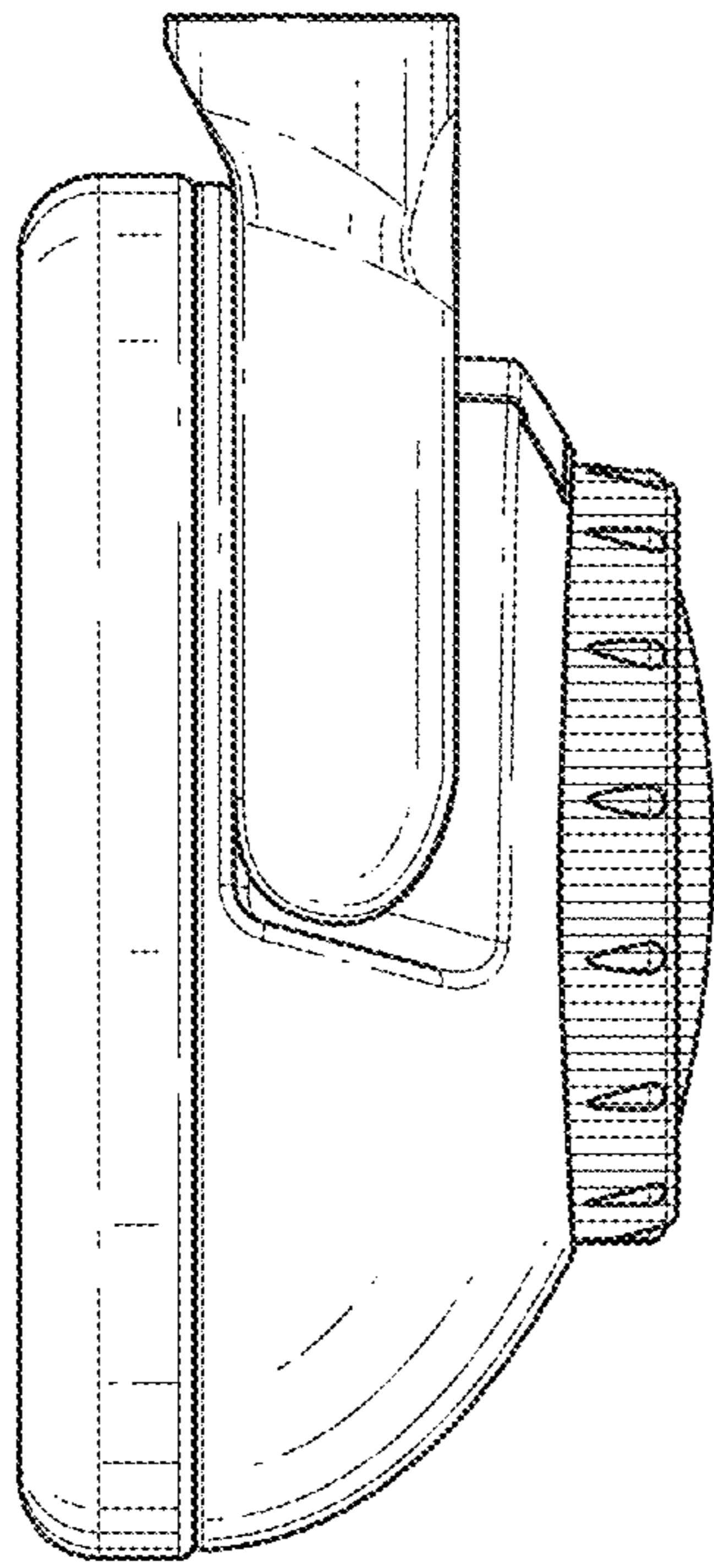


FIG. 11

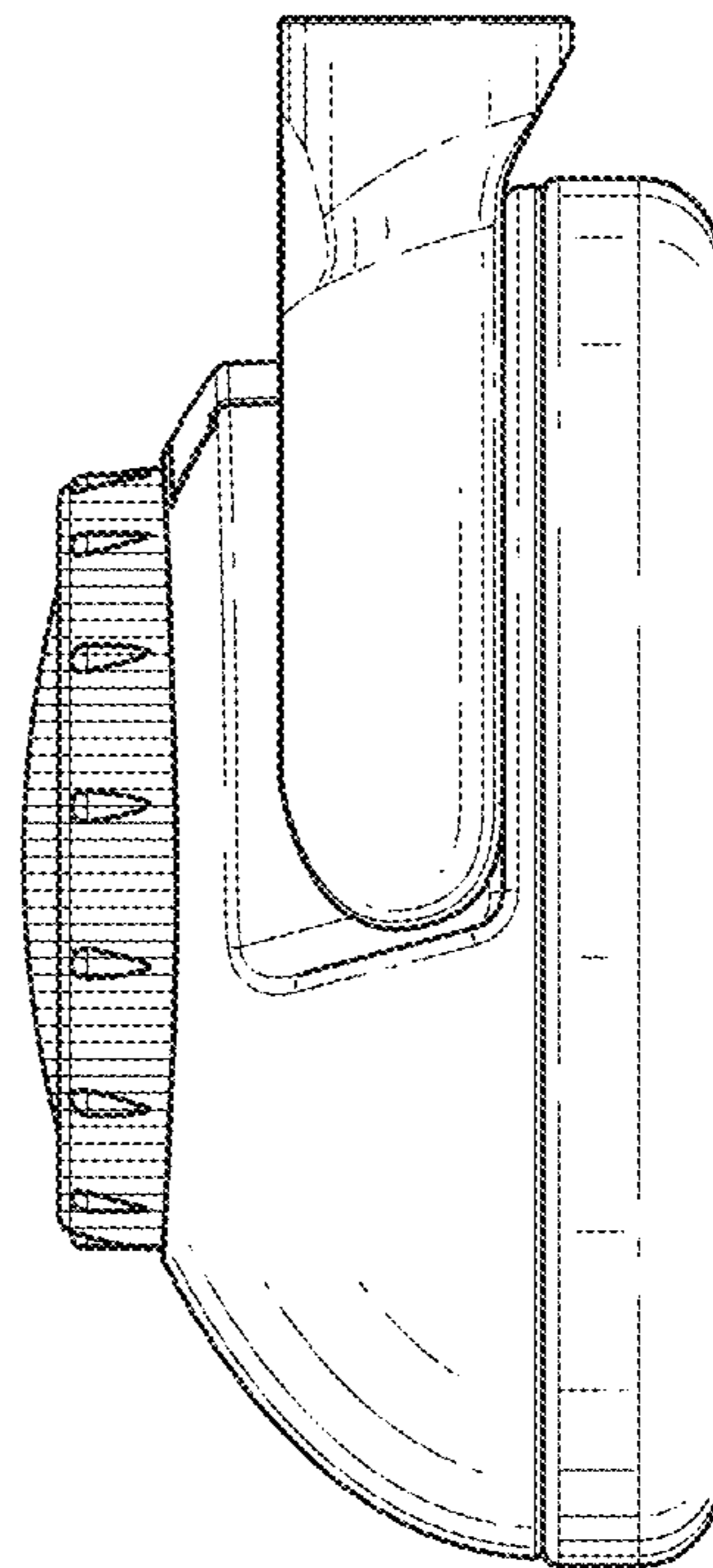


FIG. 12

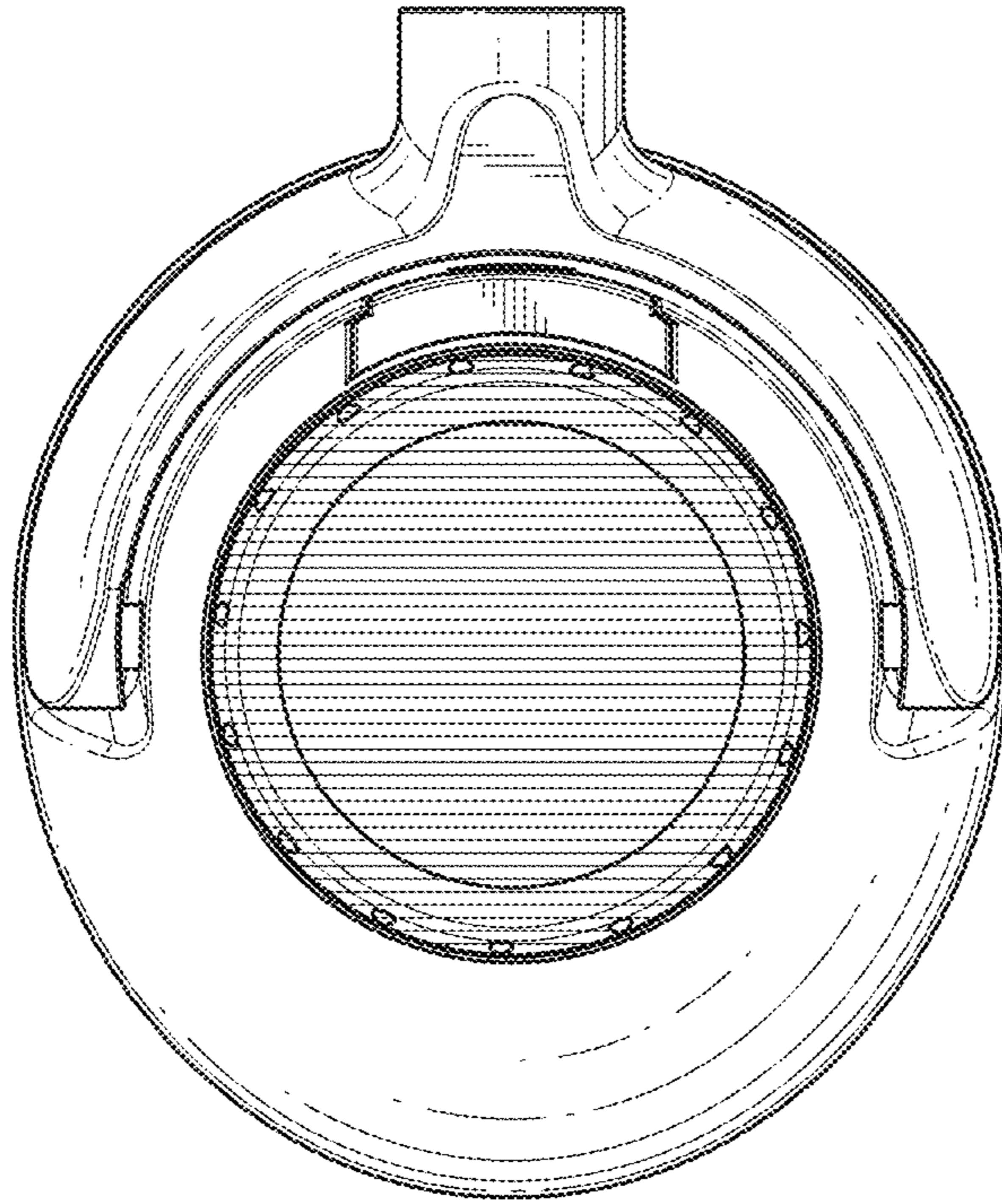


FIG. 13

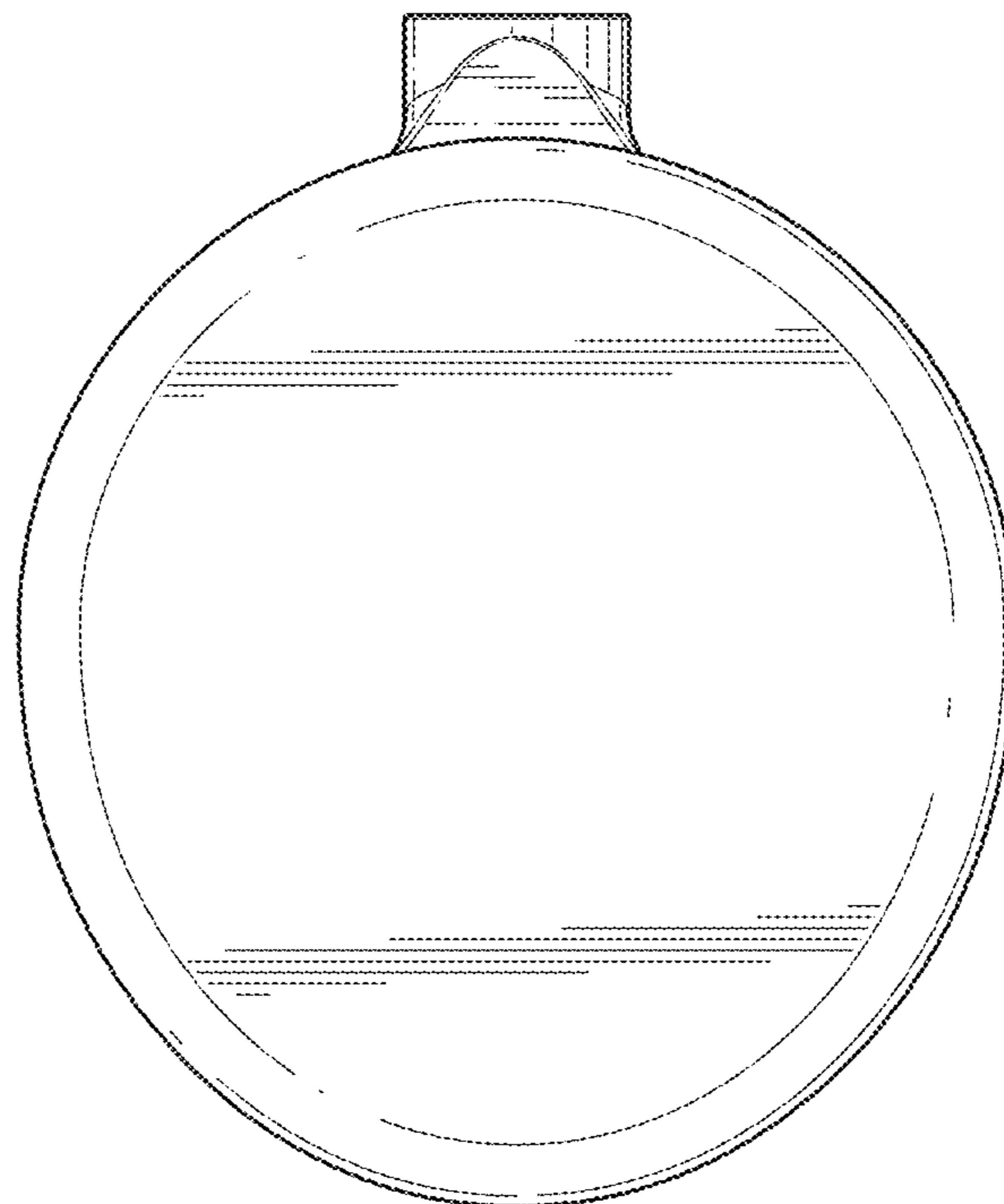


FIG. 14

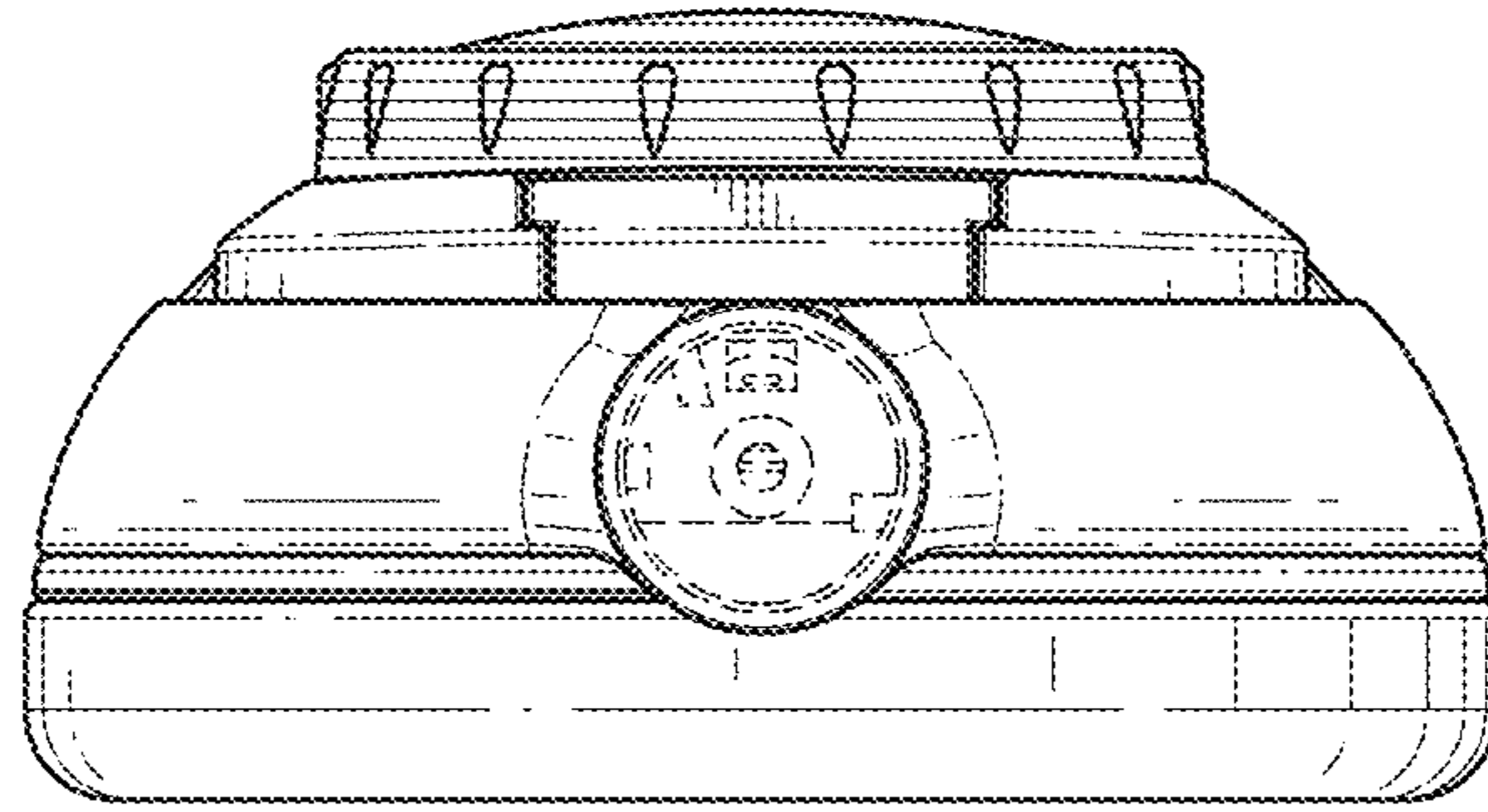


FIG. 15

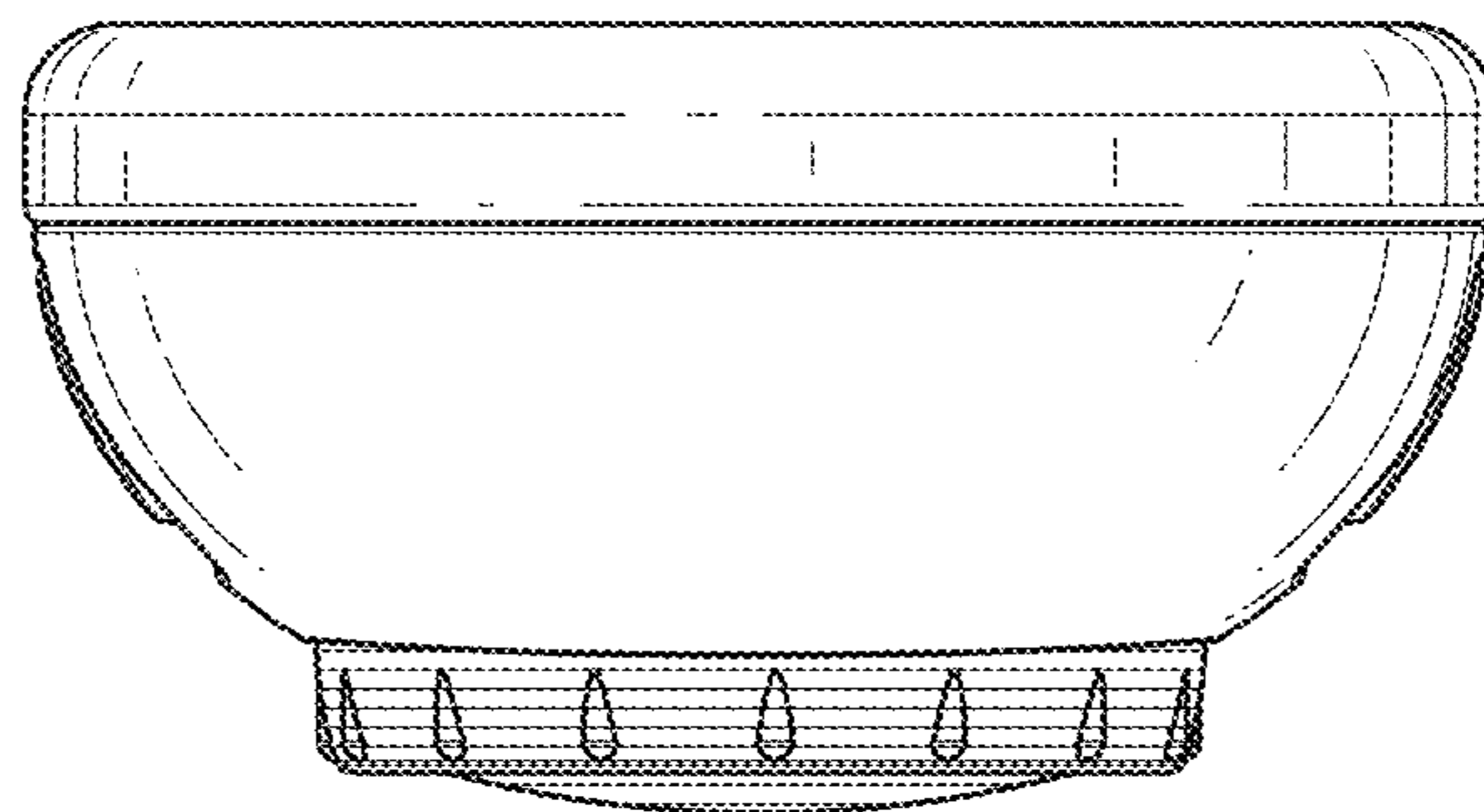


FIG. 16

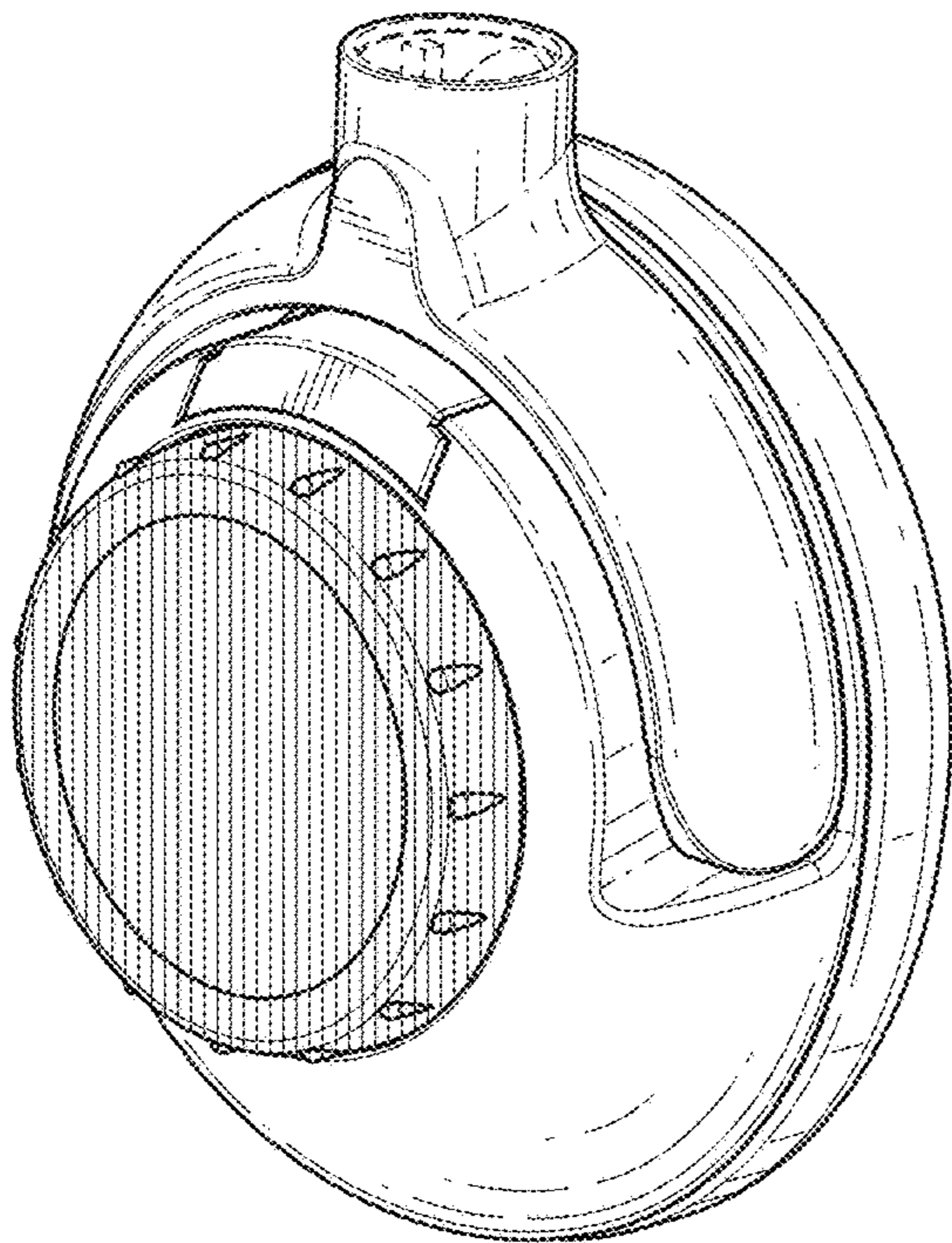


FIG. 17

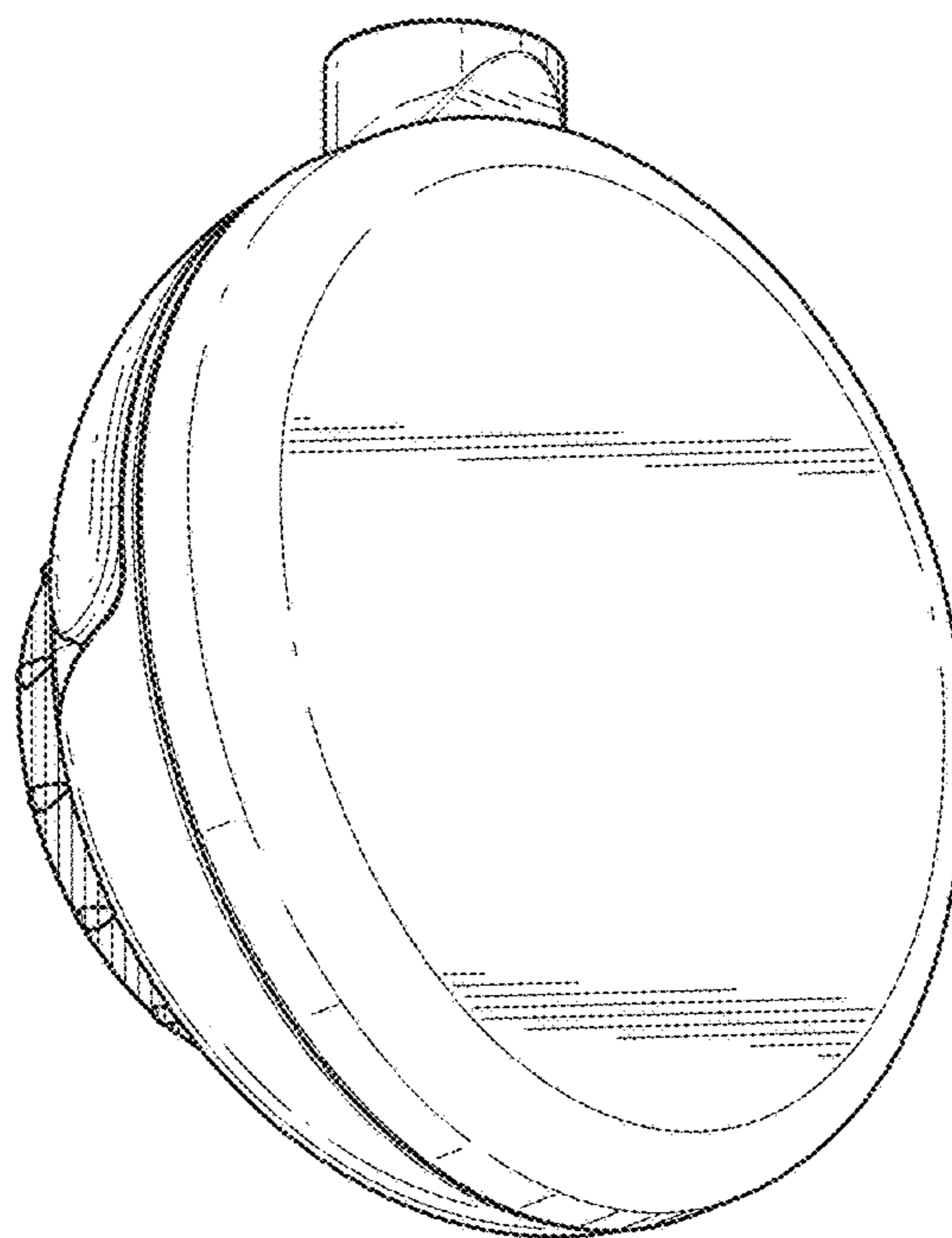


FIG. 18

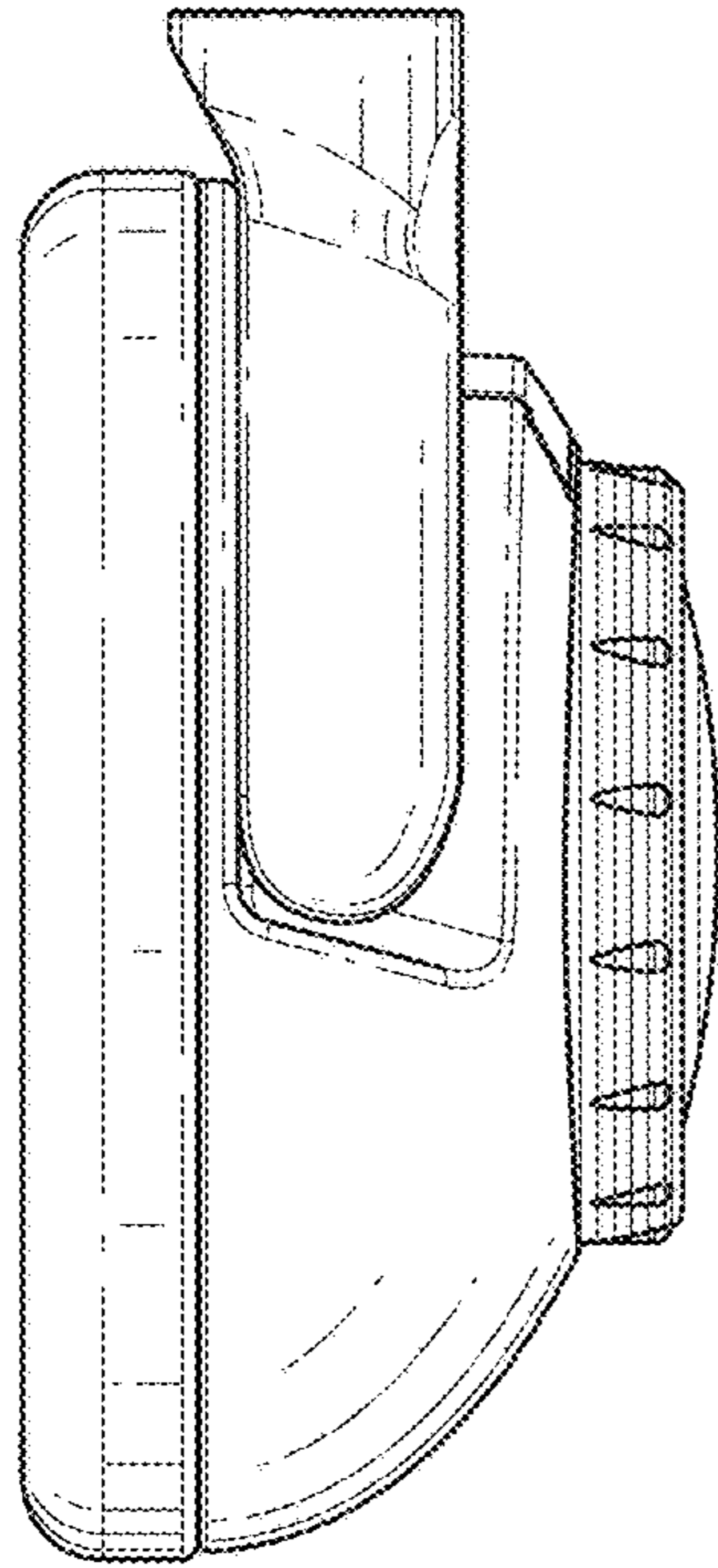


FIG. 19

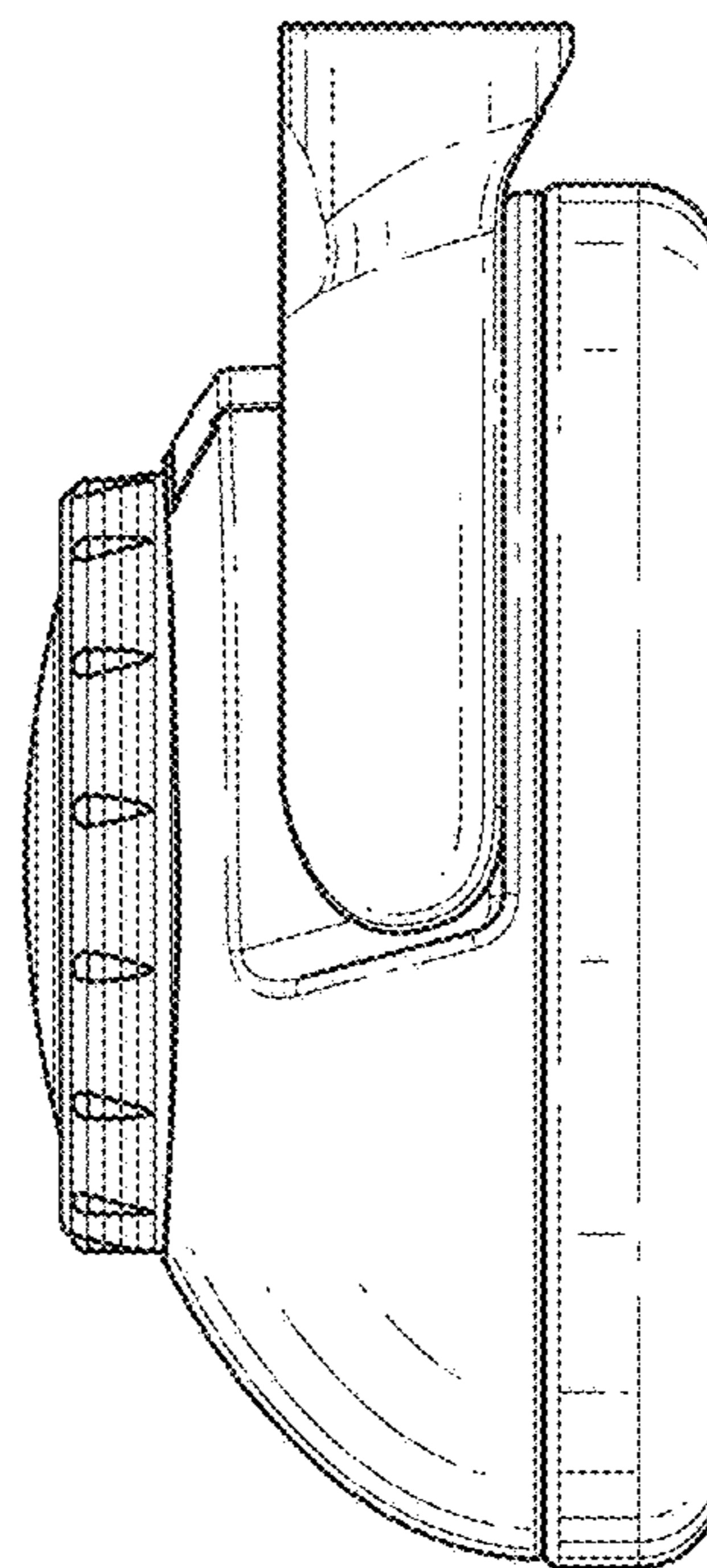


FIG. 20

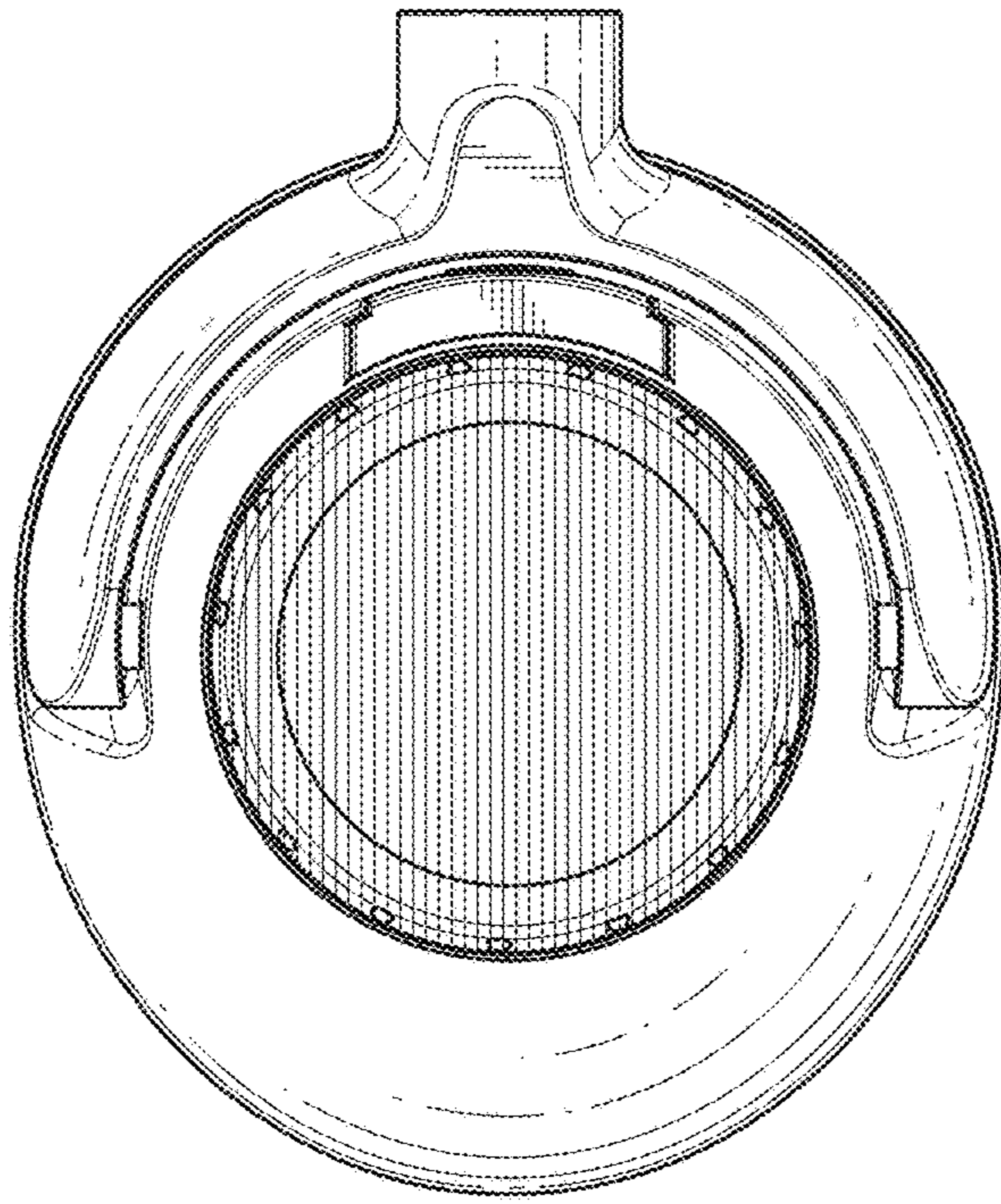


FIG. 21

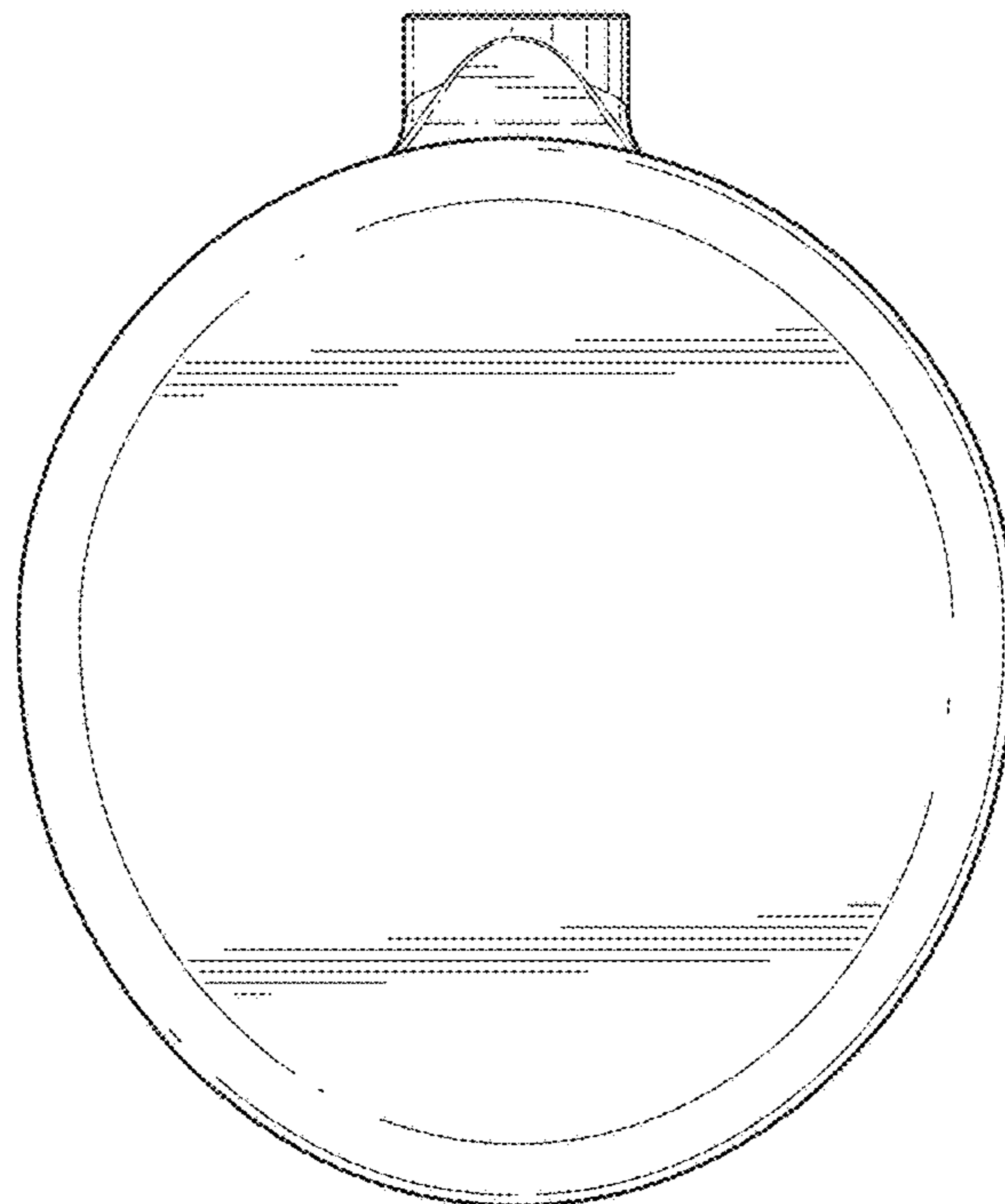


FIG. 22

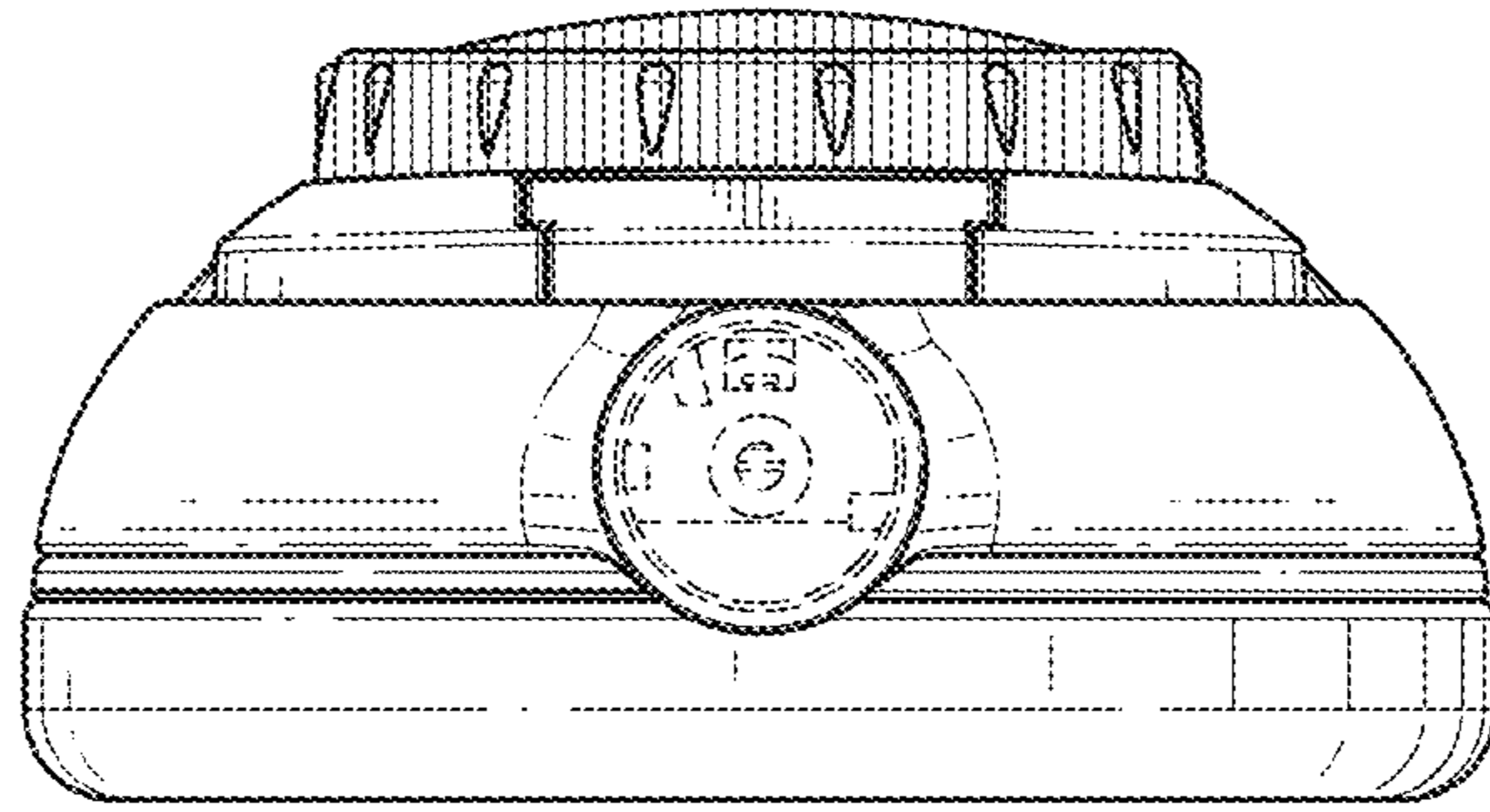


FIG. 23

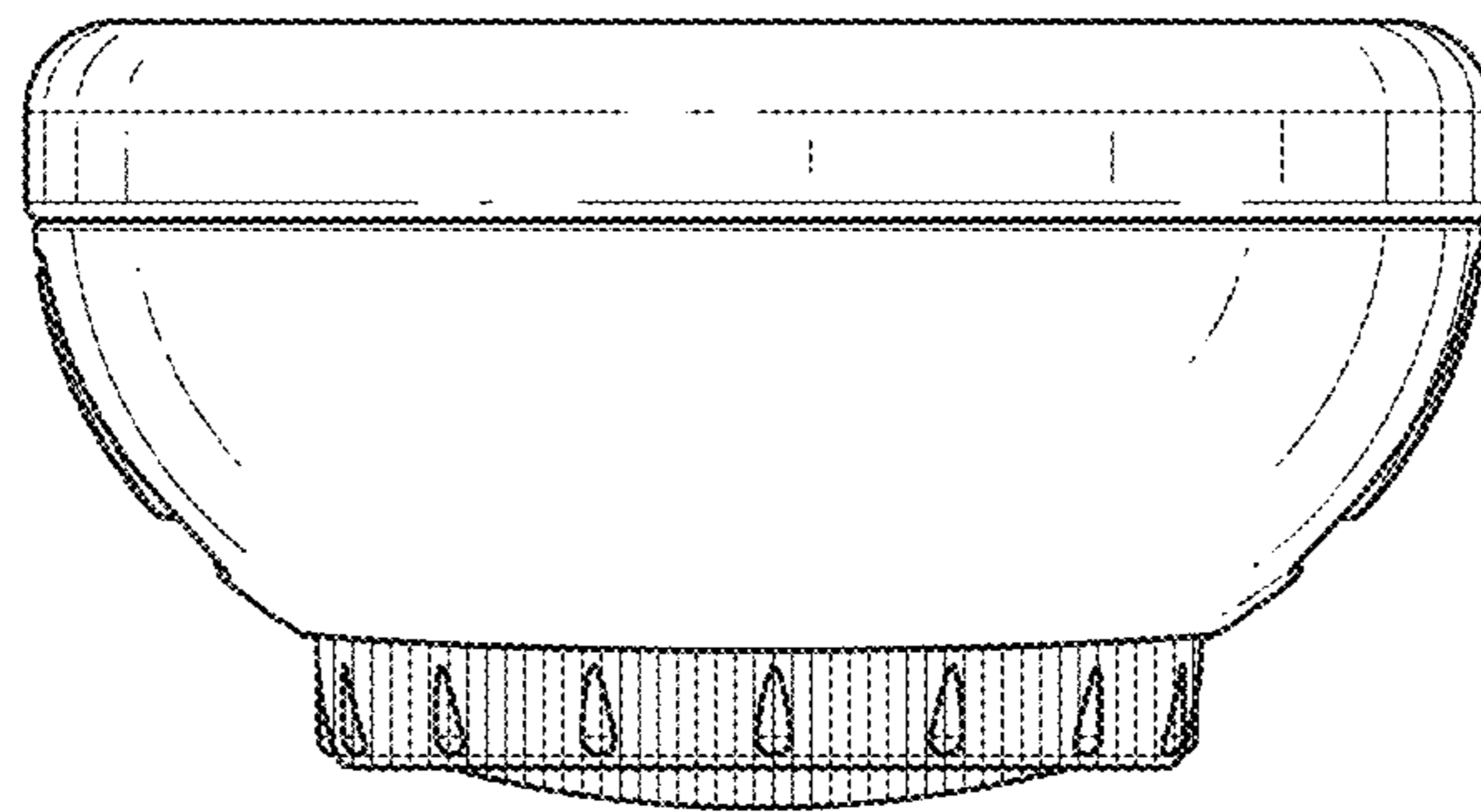


FIG. 24

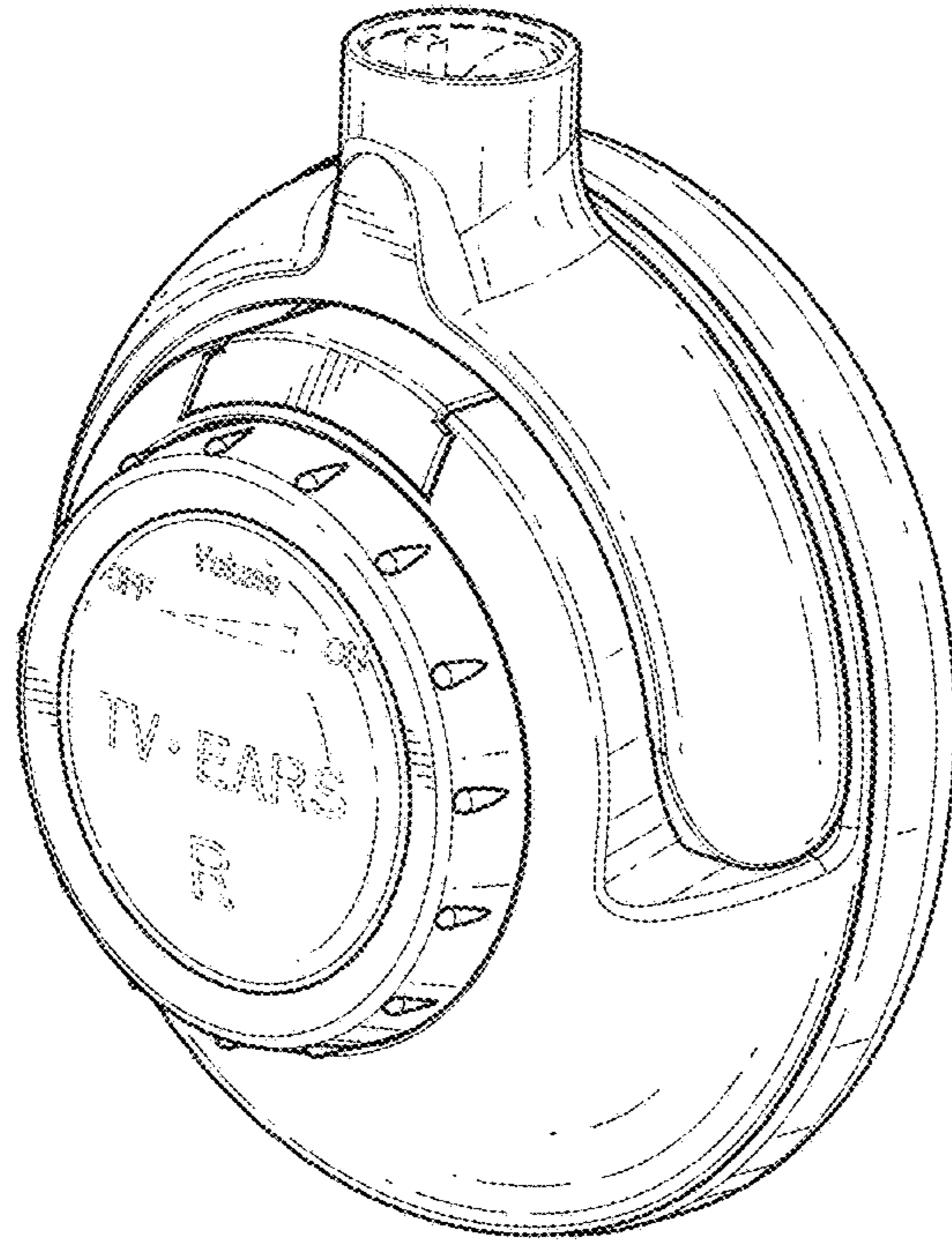


FIG. 25

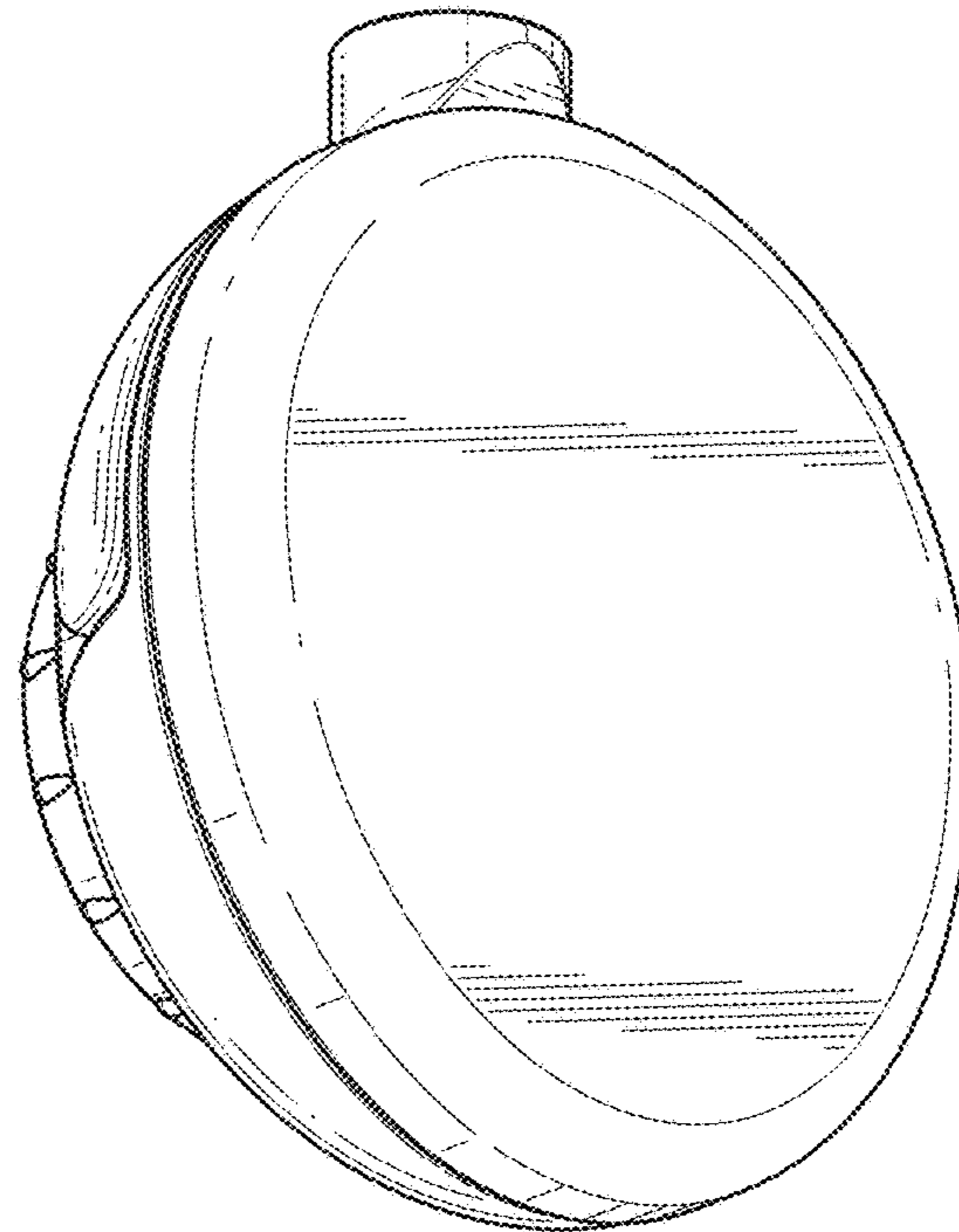


FIG. 26

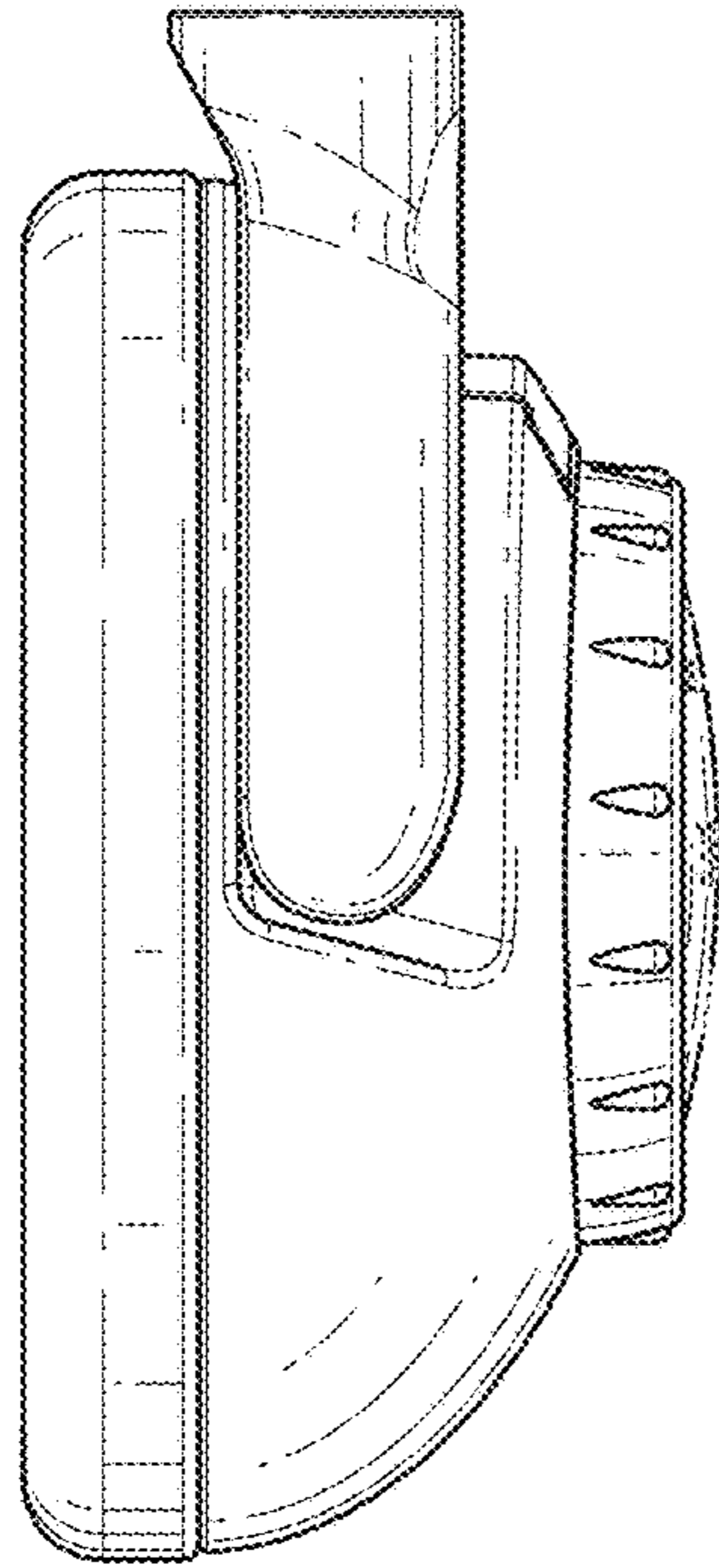


FIG. 27

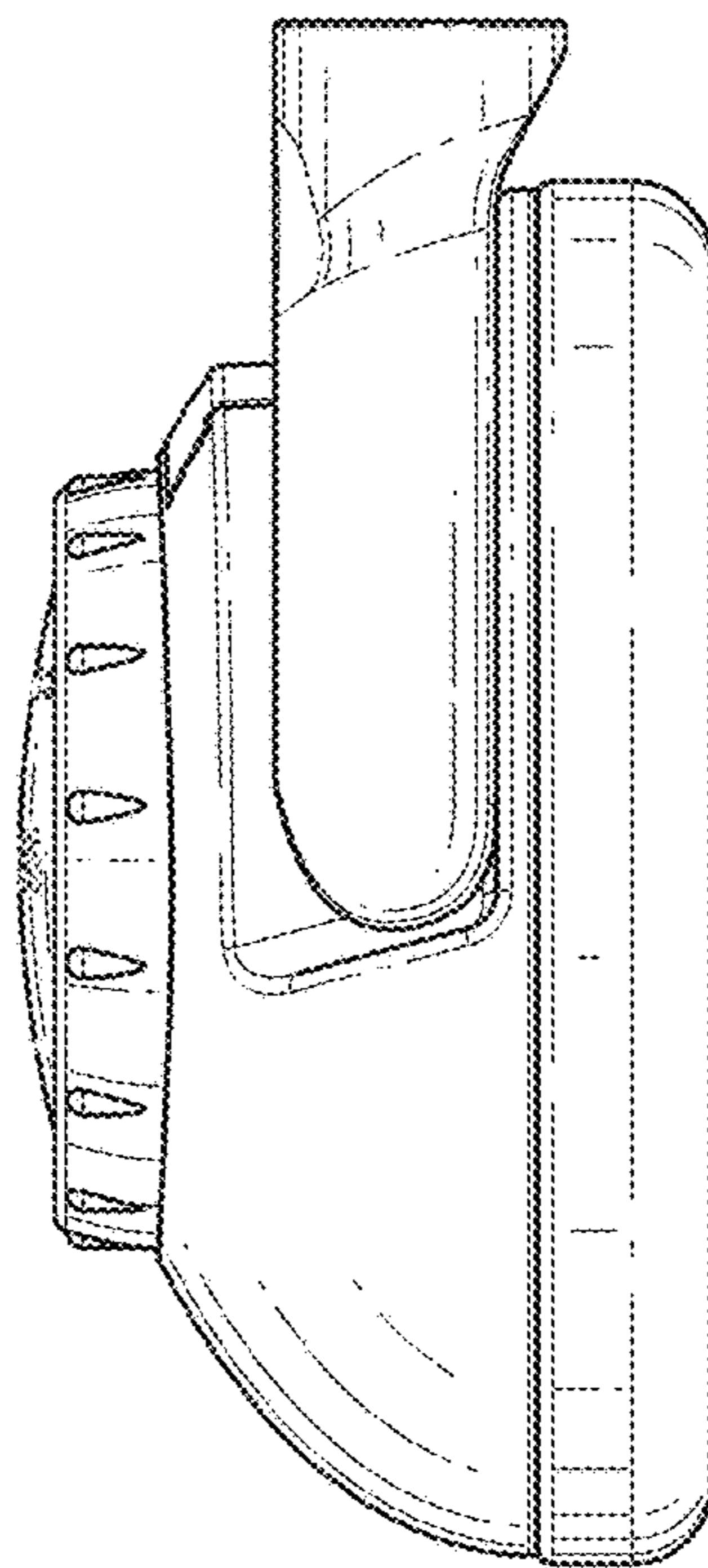


FIG. 28

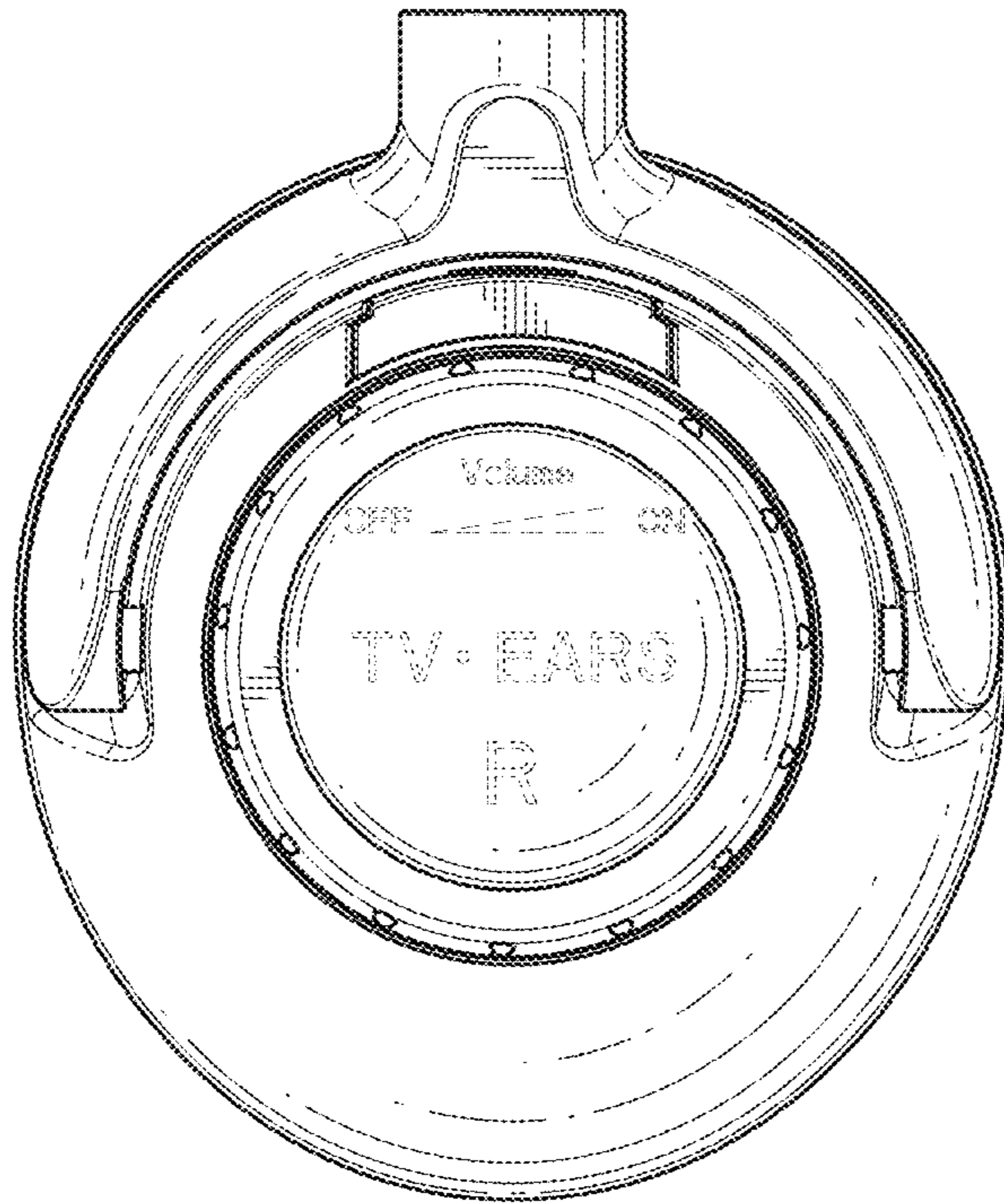


FIG. 29

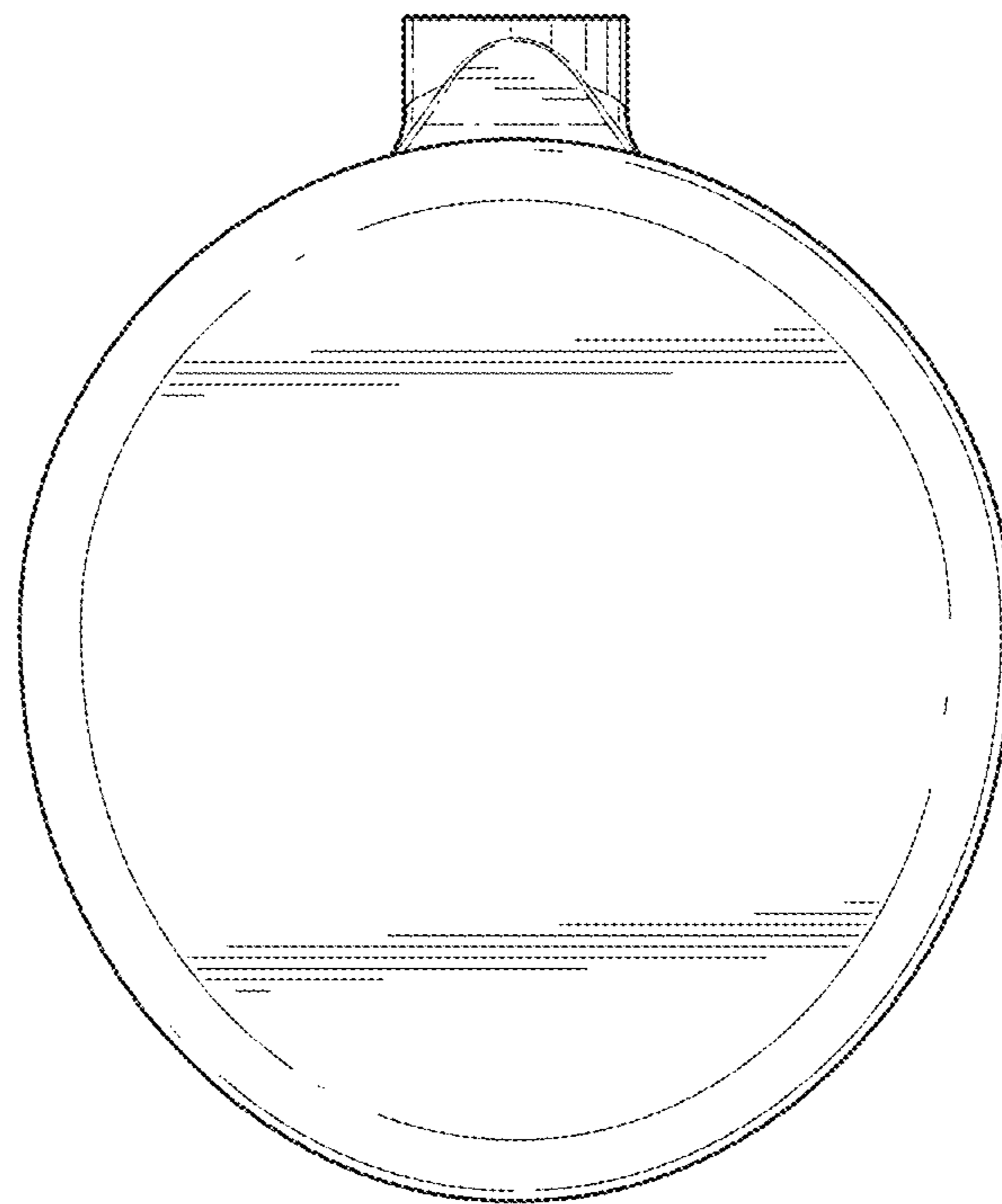


FIG. 30

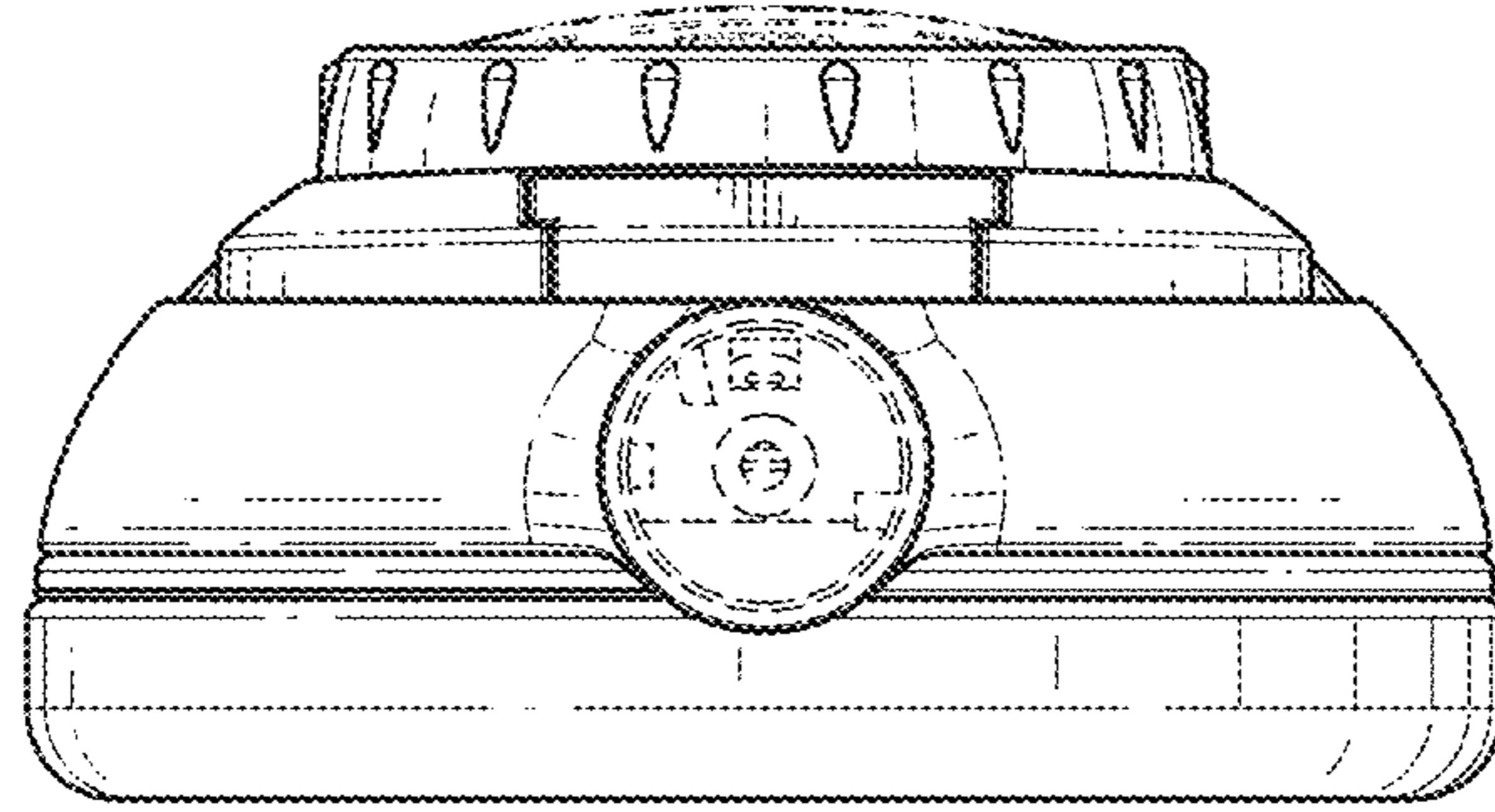


FIG. 31

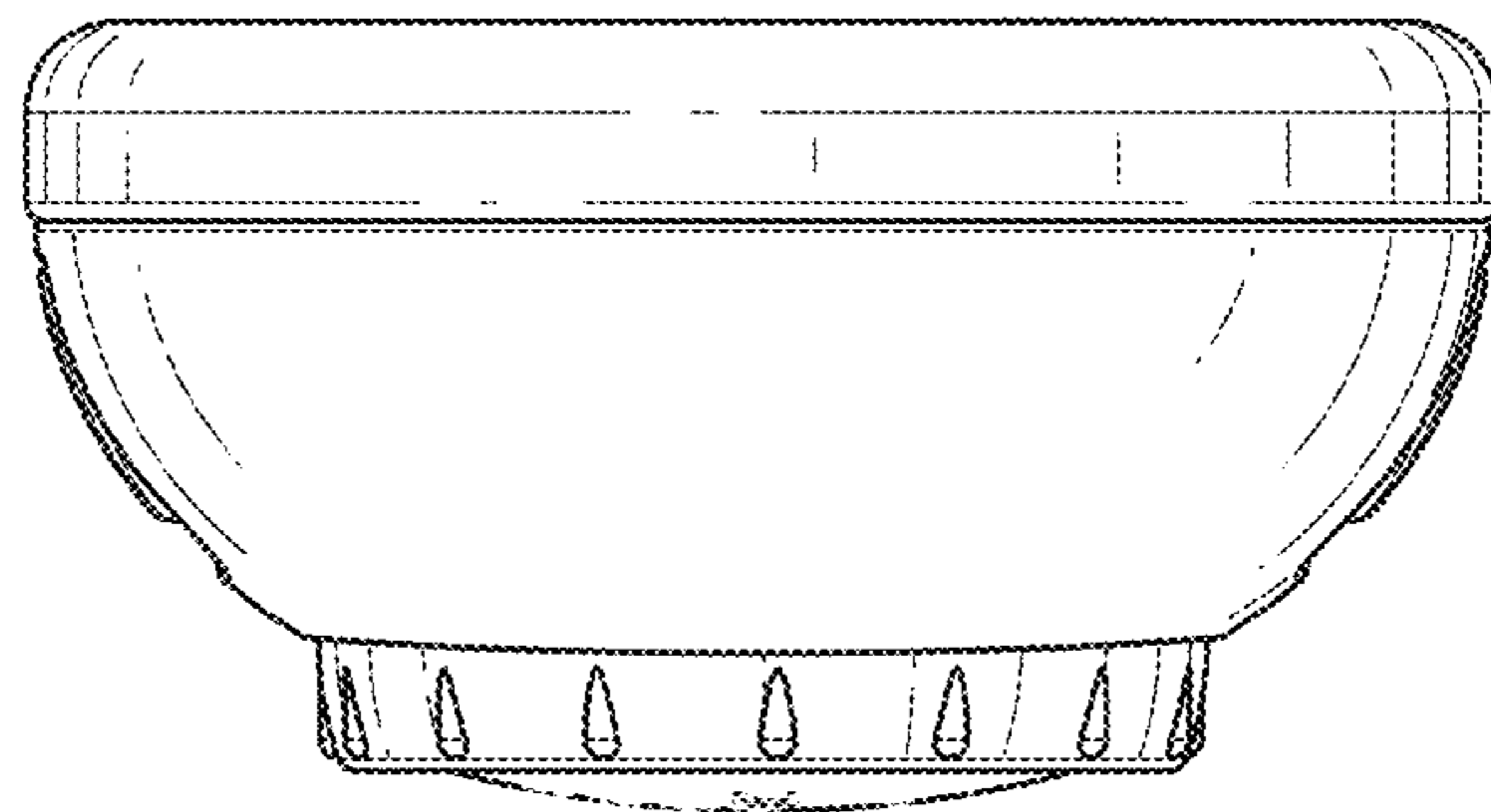


FIG. 32

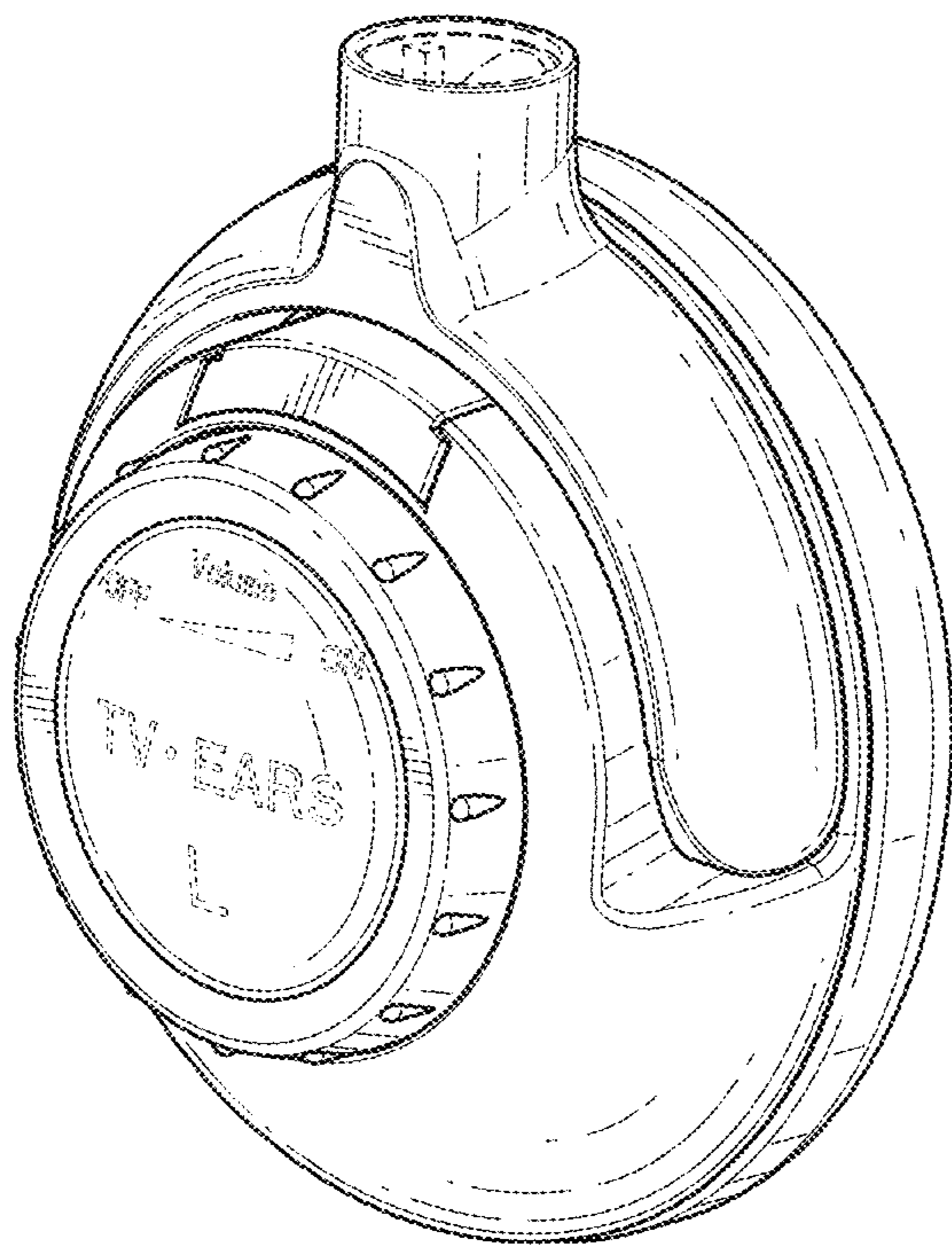


FIG. 33

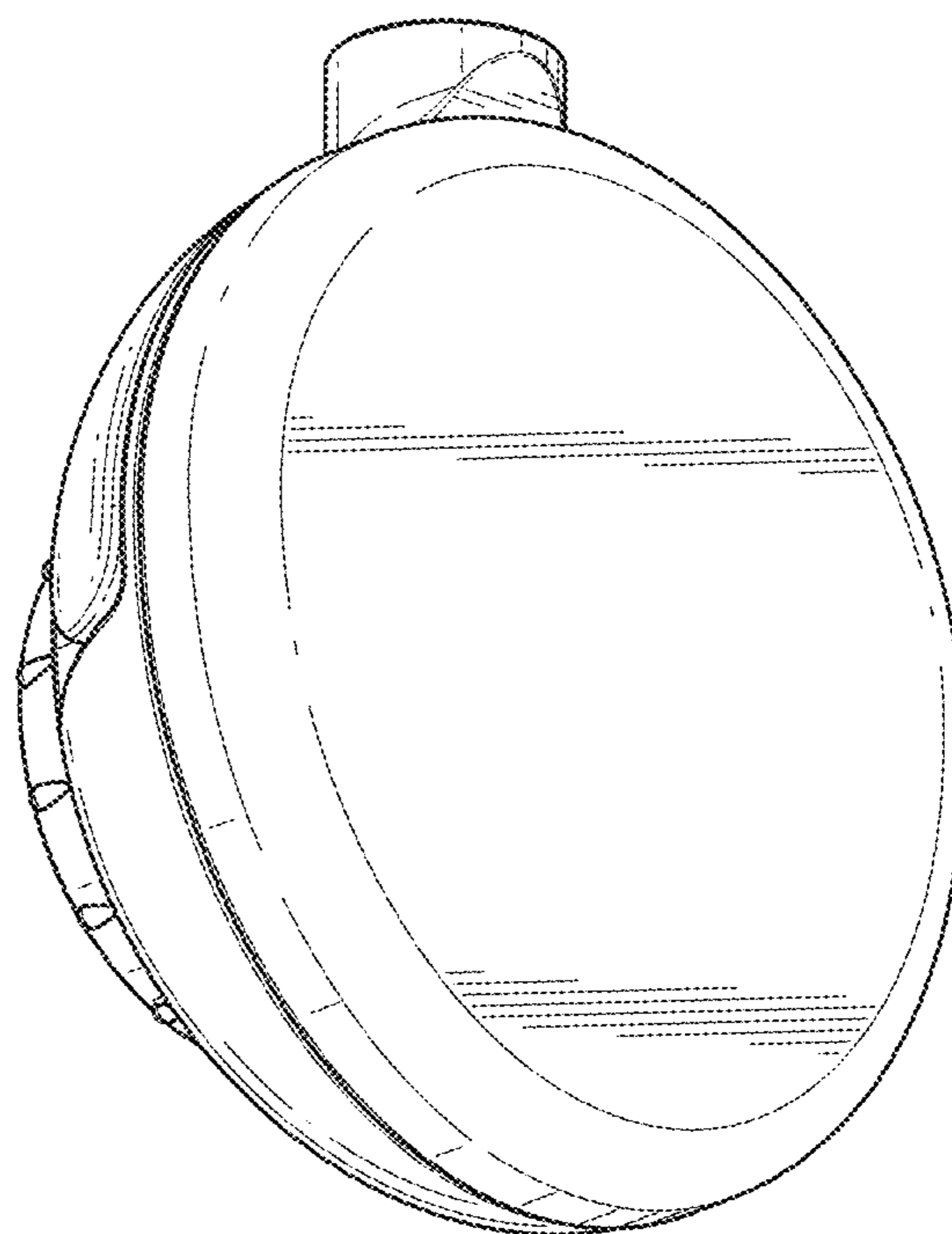


FIG. 34

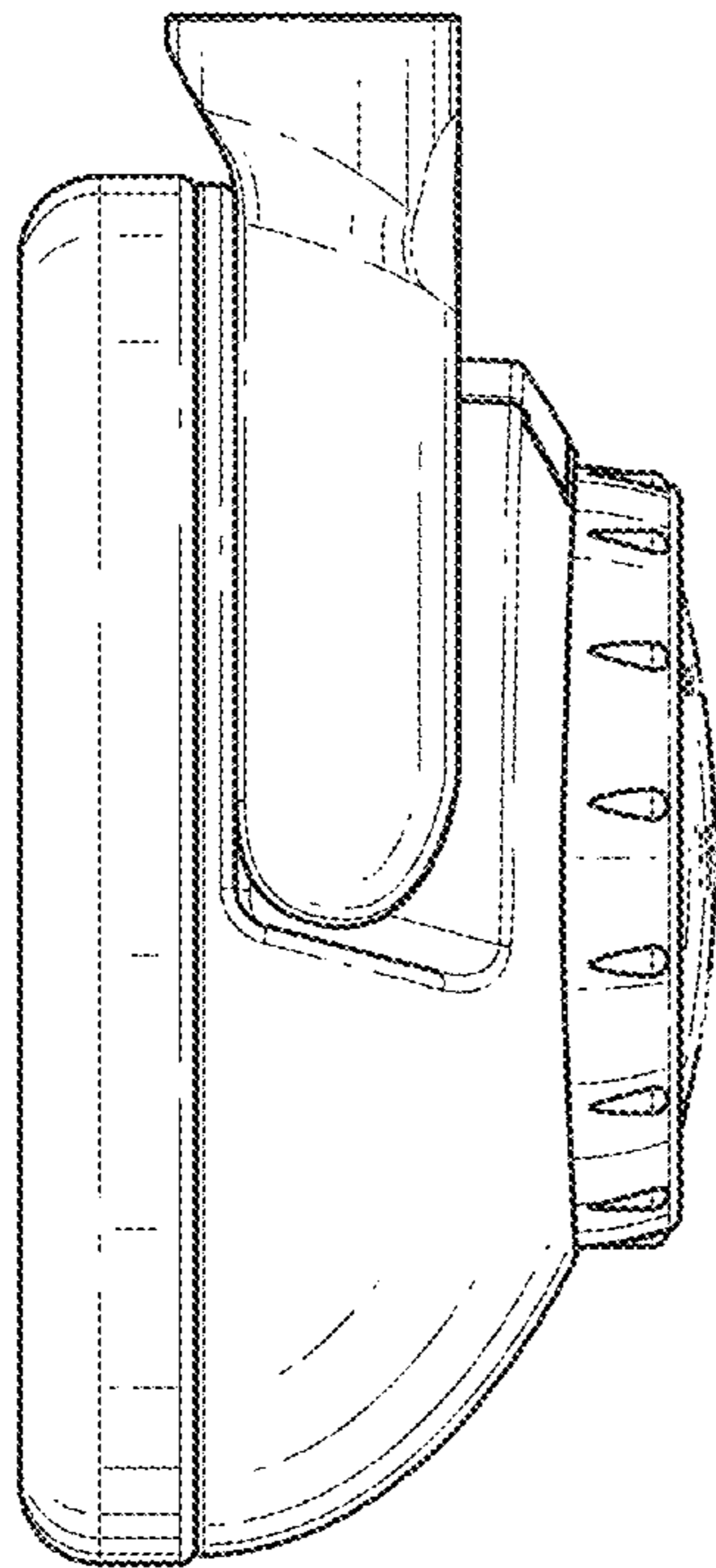


FIG. 35

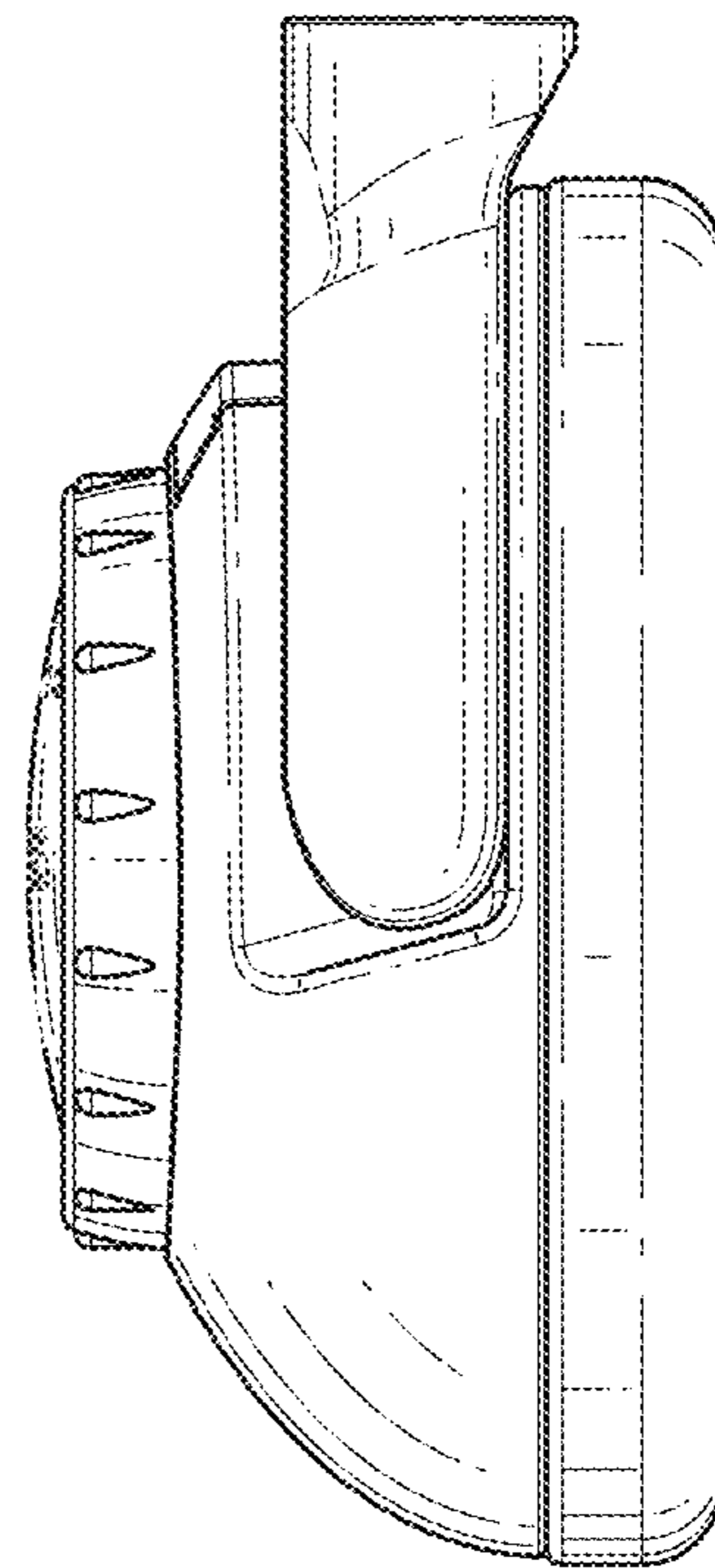


FIG. 36

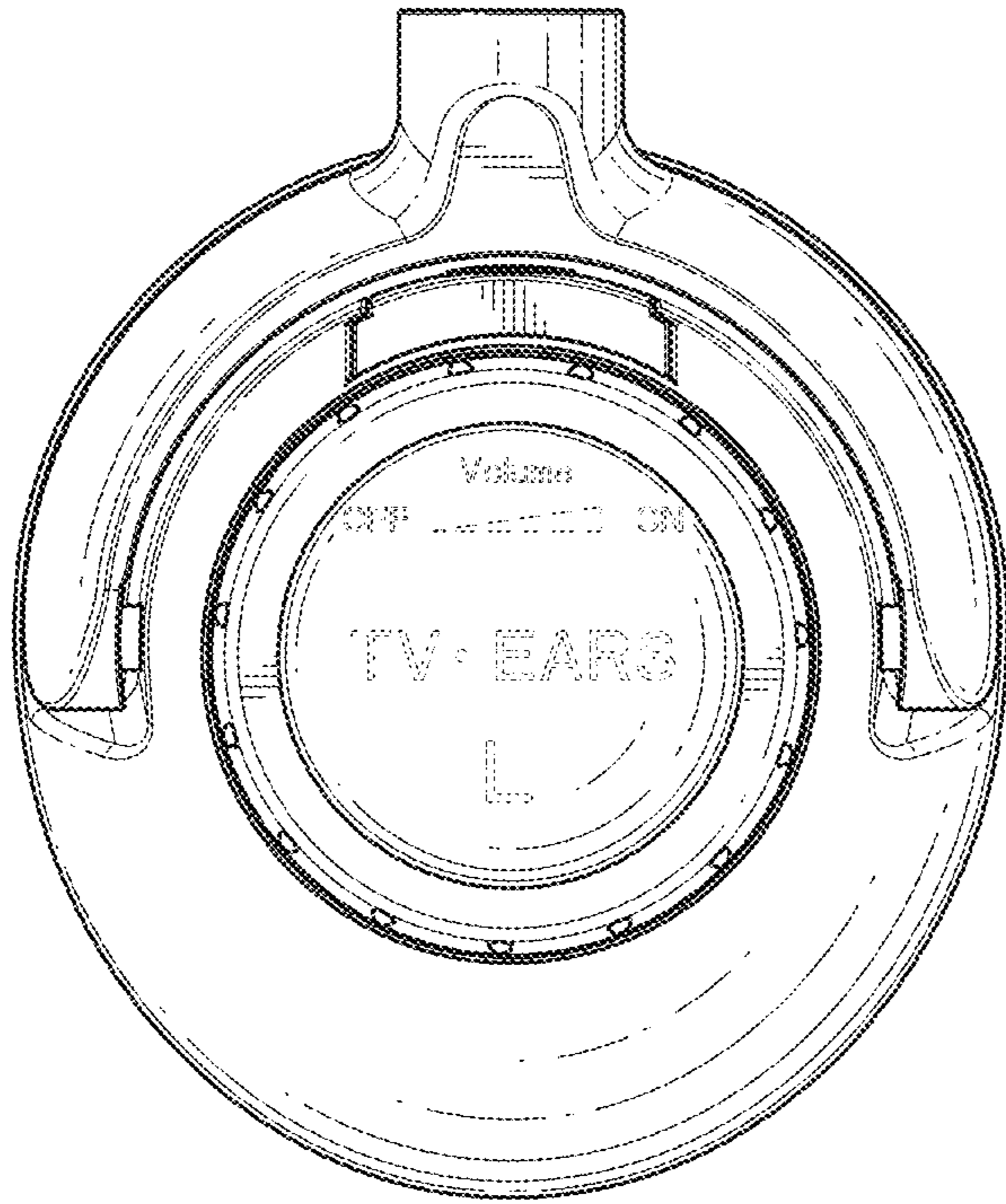


FIG. 37

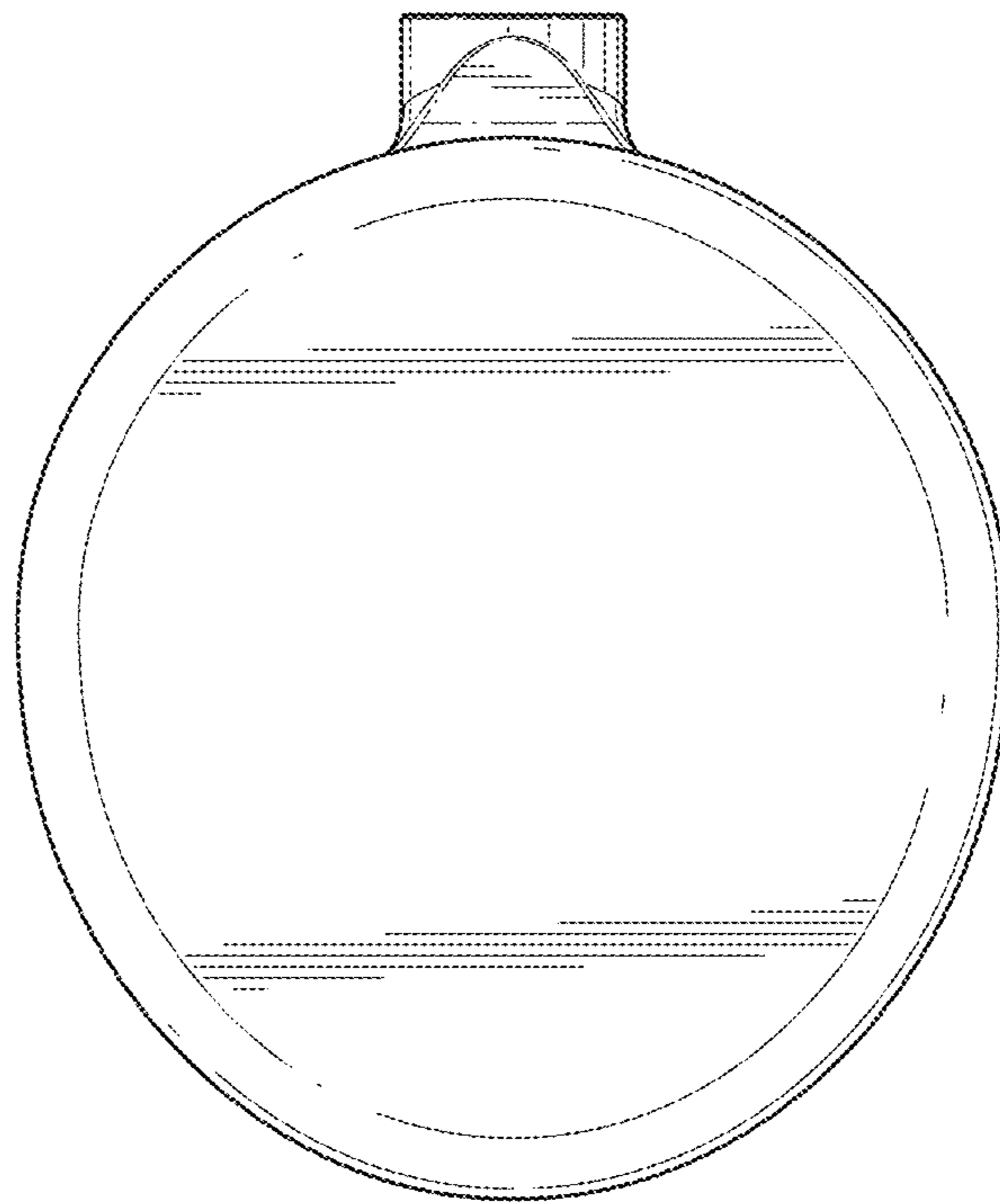


FIG. 38

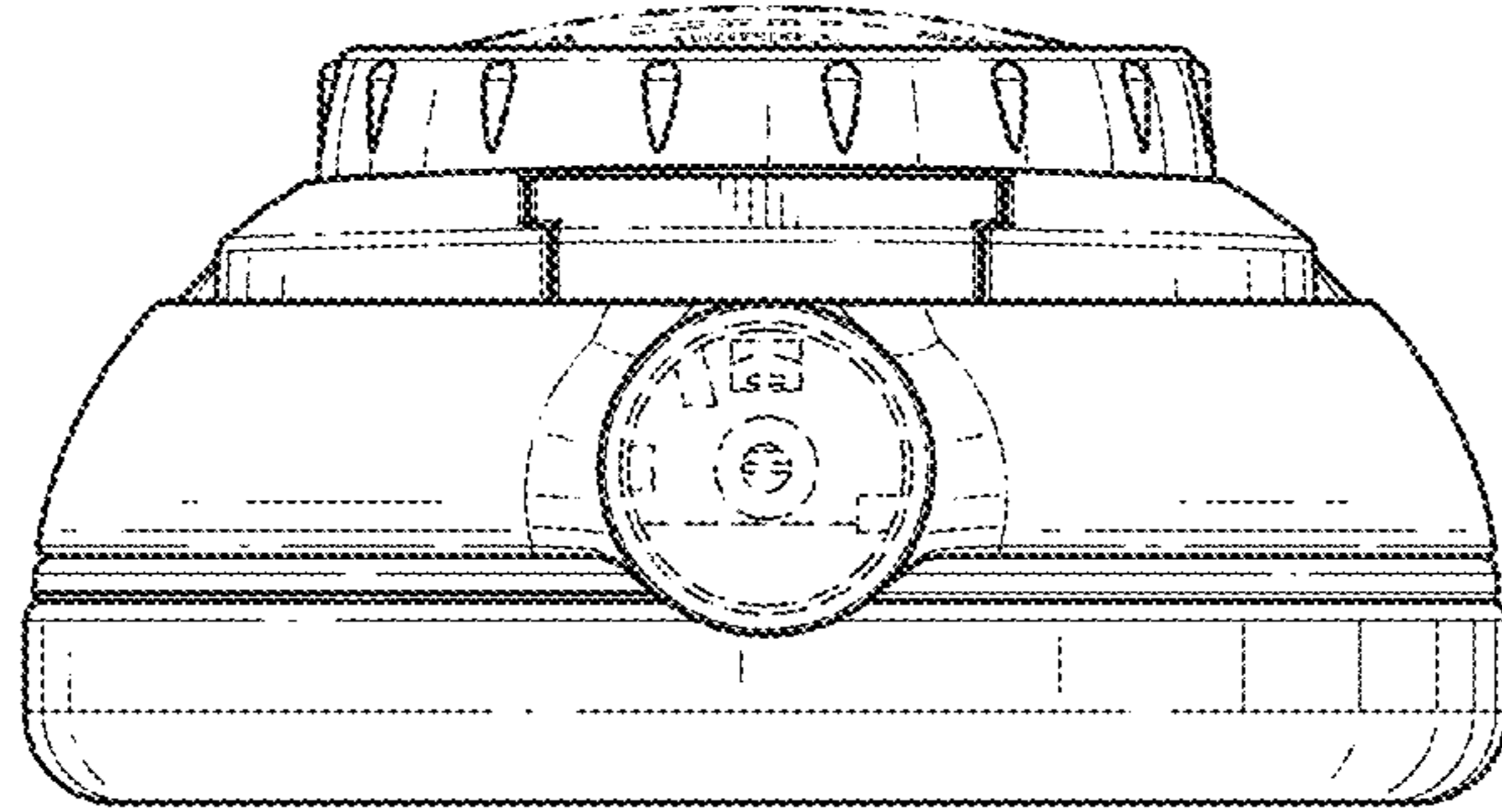


FIG. 39

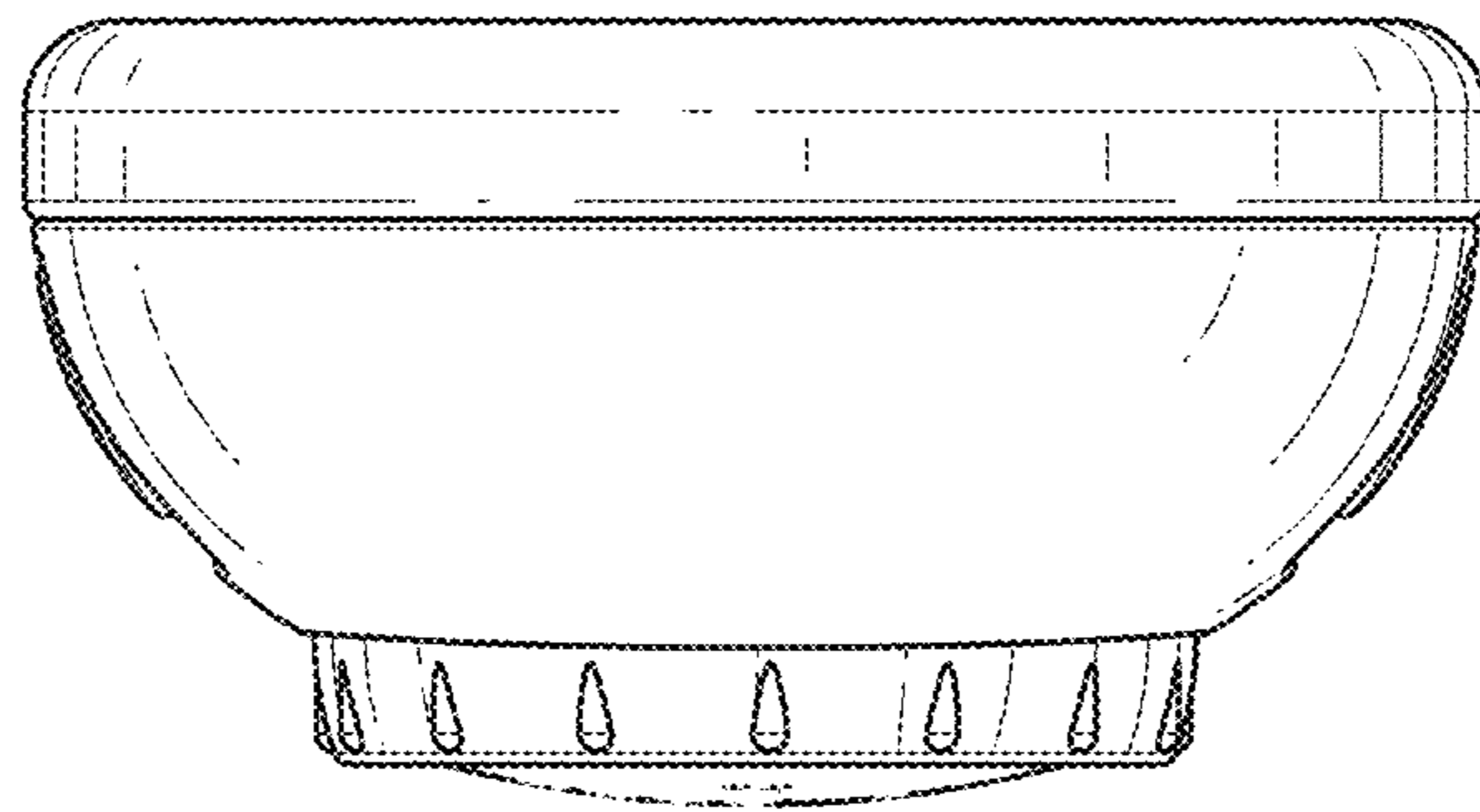


FIG. 40