



US00D808352S

(12) **United States Design Patent** (10) **Patent No.:** **US D808,352 S**
Won et al. (45) **Date of Patent:** **** Jan. 23, 2018**

(54) **SET TOP BOX WITH SPEAKER**

(56) **References Cited**

(71) Applicant: **LG ELECTRONICS INC.**, Seoul (KR)

U.S. PATENT DOCUMENTS

(72) Inventors: **Hyojin Won**, Seoul (KR); **Taeho Kim**, Seoul (KR); **Yongho Lee**, Seoul (KR)

D666,563 S *	9/2012	Lee	D14/125
D689,452 S *	9/2013	Gomes, II	D14/125
D735,150 S *	7/2015	Baldwin	D14/125
D740,771 S *	10/2015	Daniel	D14/125
D777,126 S *	1/2017	Odryna	D14/125
D777,695 S *	1/2017	Odryna	D14/125
D777,696 S *	1/2017	Nichols	D14/125
D781,794 S *	3/2017	Gargani	D14/125

(73) Assignee: **LG ELECTRONICS INC.**, Seoul (KR)

* cited by examiner

(**) Term: **15 Years**

Primary Examiner — Michael A Pratt

(21) Appl. No.: **35/501,330**

(74) *Attorney, Agent, or Firm* — Birch, Stewart, Kolasch & Birch, LLP

(22) Filed: **Feb. 2, 2016**

(80) **Hague Agreement Data**

(57) **CLAIM**

Int. Filing Date: **Feb. 2, 2016**

The ornamental design for a set top box with speaker, as shown and described.

Int. Reg. No.: **DM/089688**

DESCRIPTION

Int. Reg. Date: **Feb. 2, 2016**

Int. Reg. Pub. Date: **Aug. 5, 2016**

(30) **Foreign Application Priority Data**

Aug. 5, 2015 (KR) 30-2015-0039641

(51) **LOC (11) Cl.** **14-03**

(52) **U.S. Cl.**
USPC **D14/125**

(58) **Field of Classification Search**
USPC D14/125, 357-358, 496, 188, 242, 432;
D13/184

CPC .. H04N 5/50; H04N 5/64; H05K 5/02; H05K 5/03; G06F 1/16

See application file for complete search history.

1. Set Top Box with Speaker

1.1 : Perspective

1.2 : Front

1.3 : Back

1.4 : Left

1.5 : Right

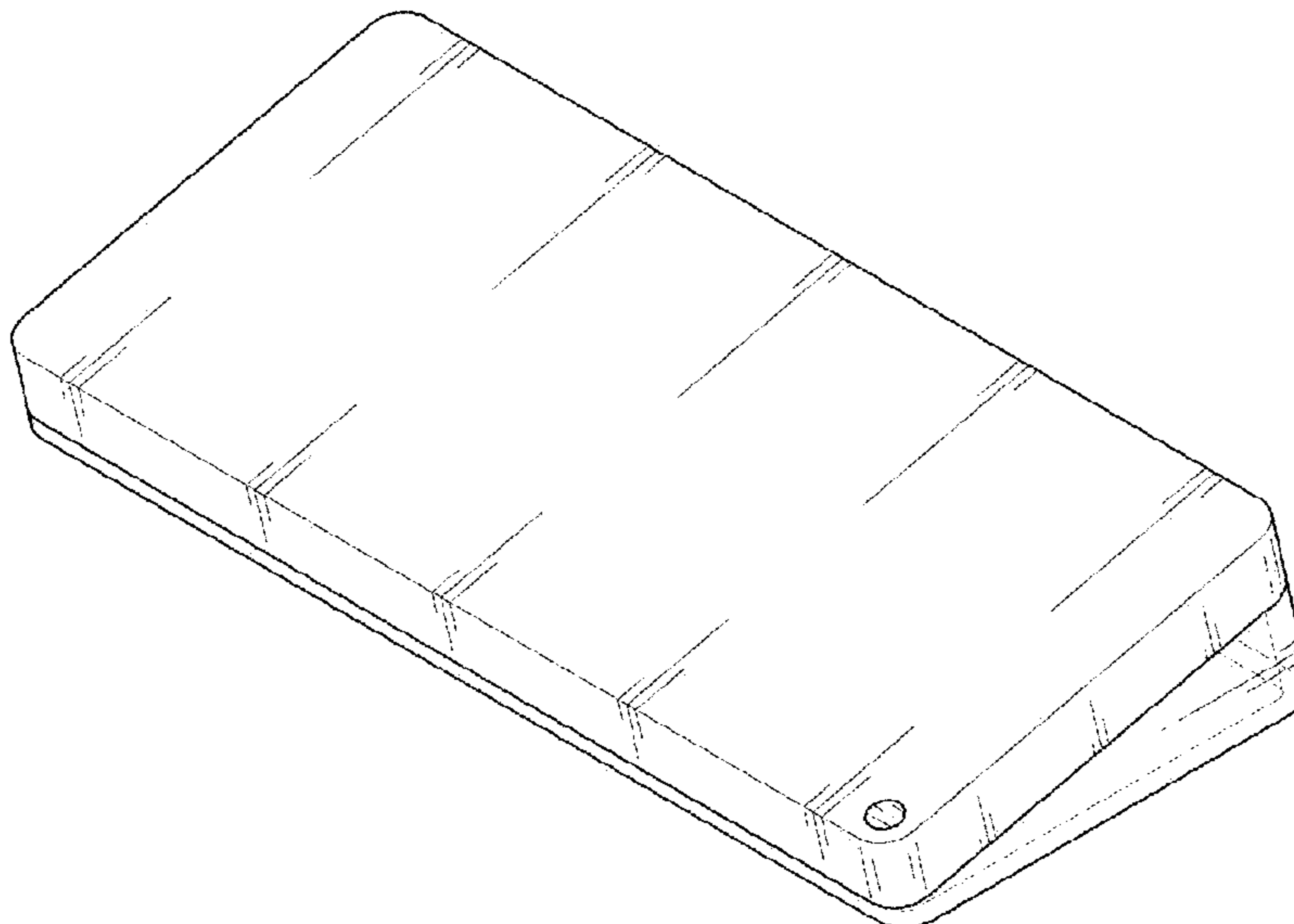
1.6 : Top

1.7 : Bottom

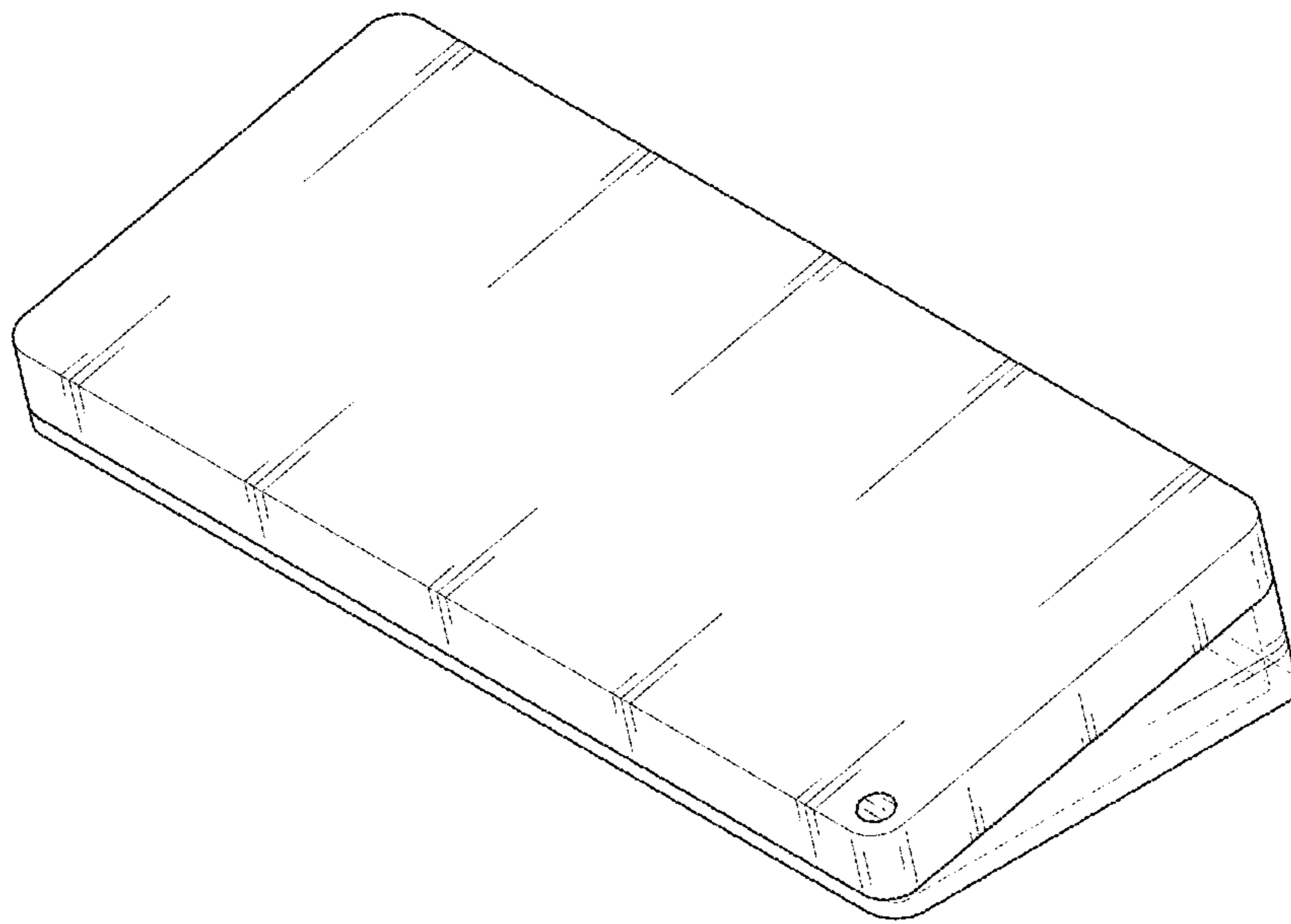
1.8 : Reference

The broken line showing of a room setting in figure 1.8 illustrates the environment of the claimed design and forms no part thereof. The broken lines in figures 1.3 and 1.6 illustrate portions of the set top box with speaker which form no part of the claimed design.

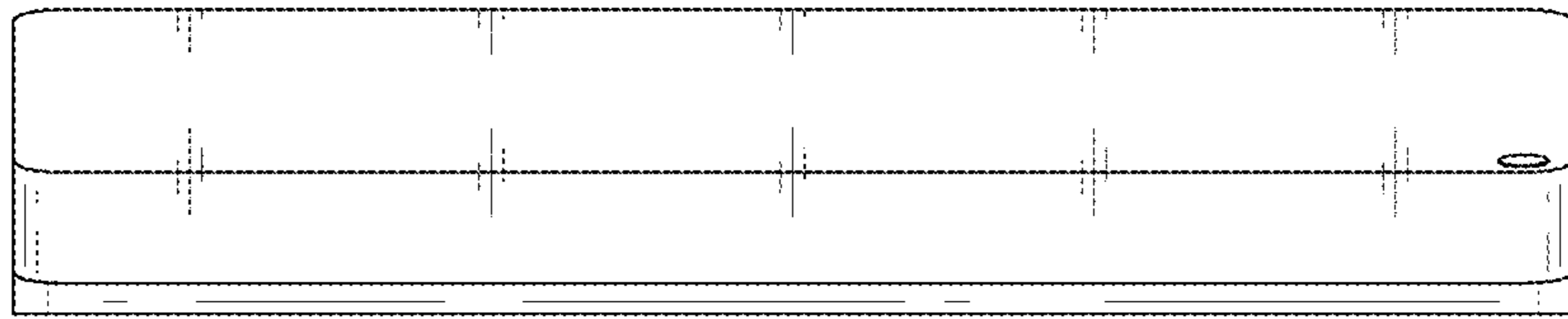
1 Claim, 4 Drawing Sheets



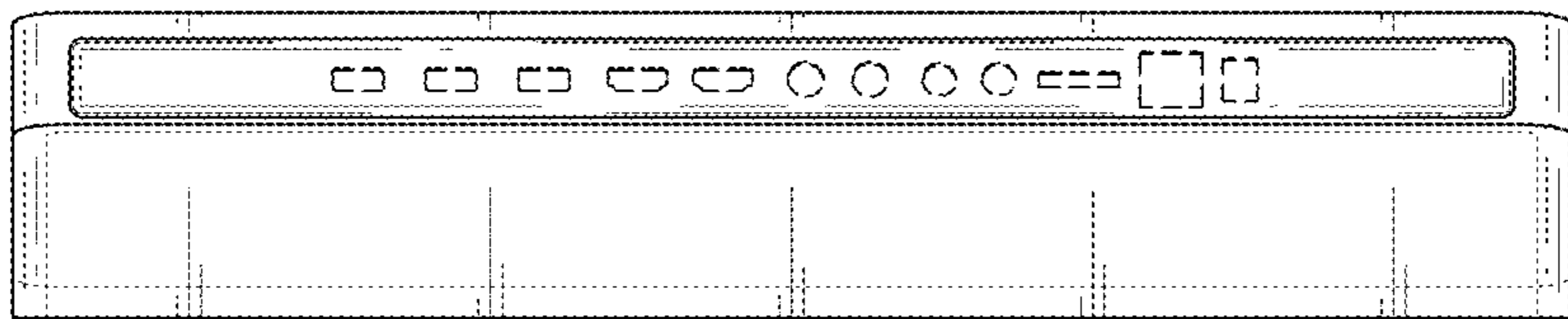
1.1



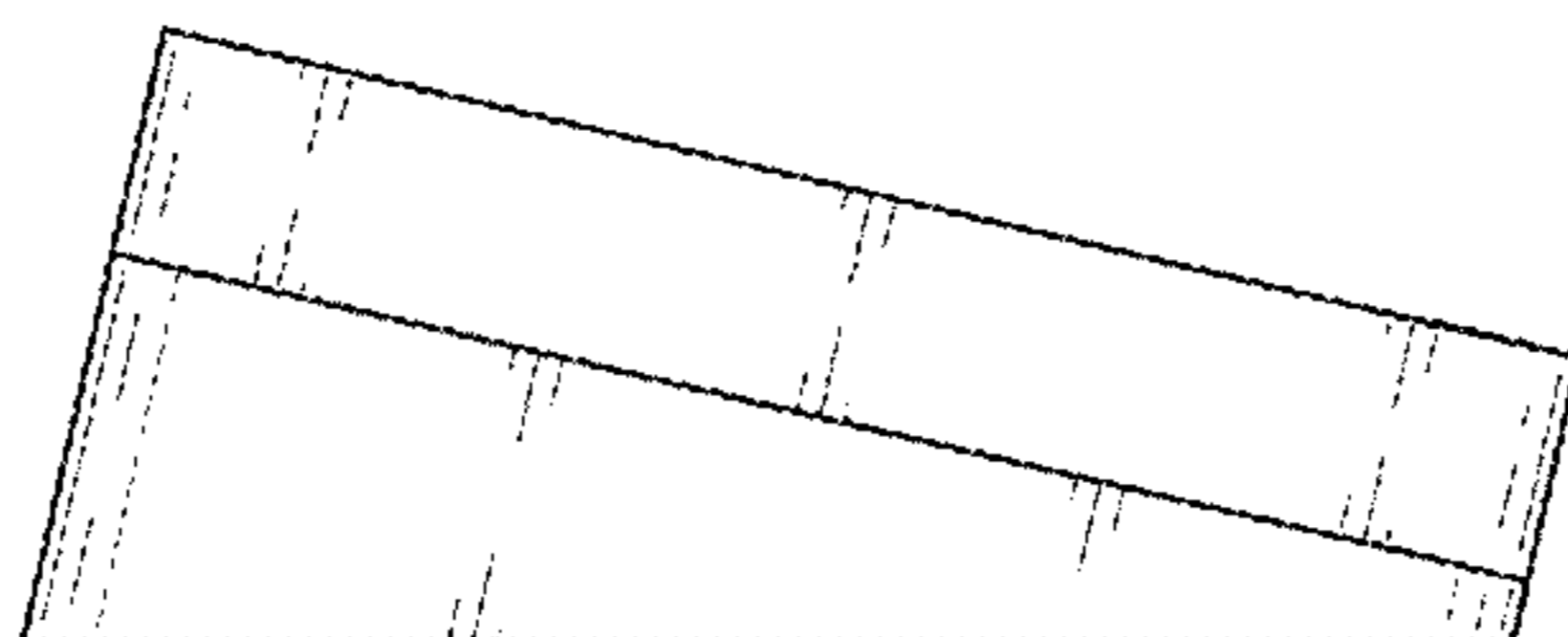
1.2



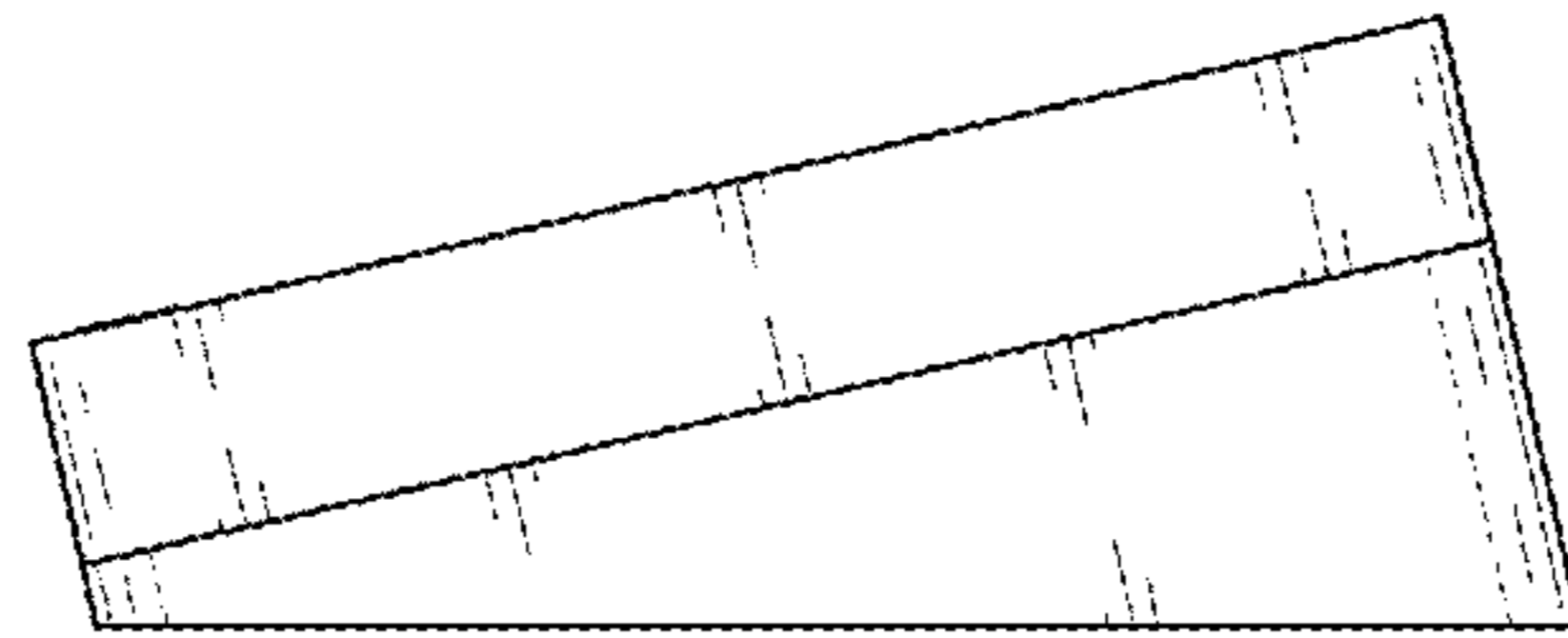
1.3



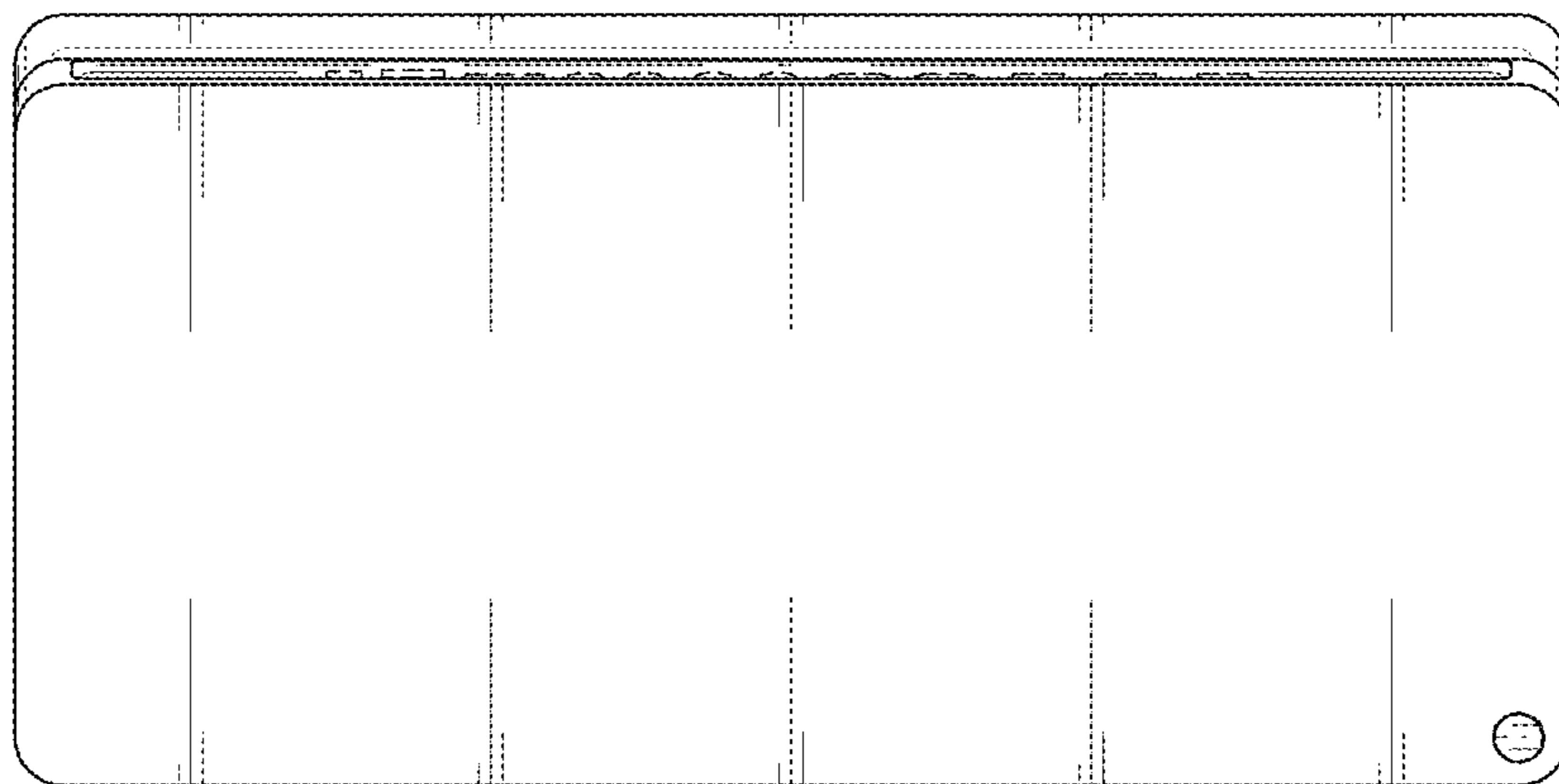
1.4



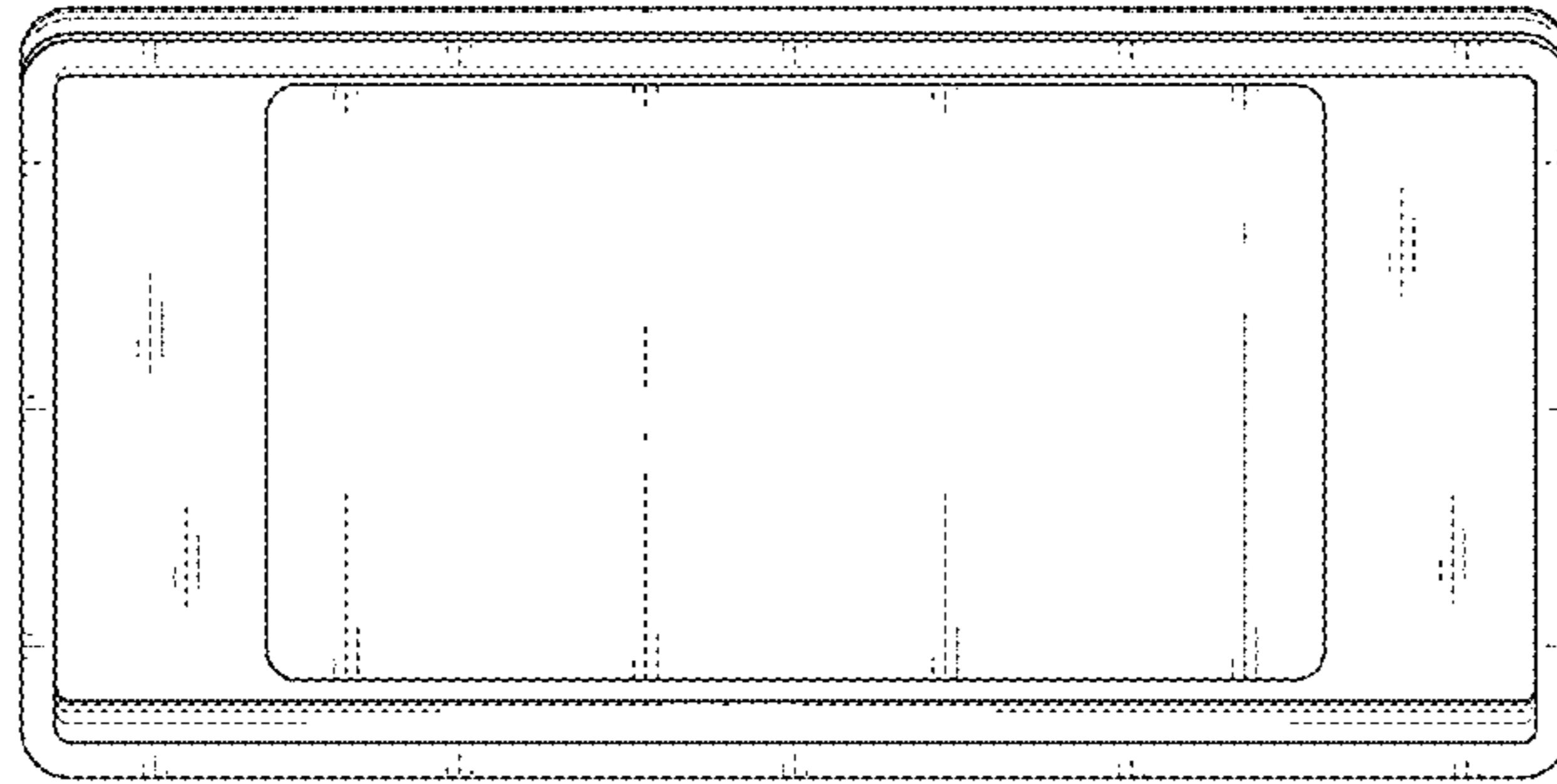
1.5



1.6



1.7



1.8

