



US00D808351S

(12) **United States Design Patent**
Won et al.

(10) **Patent No.:** **US D808,351 S**
(45) **Date of Patent:** **** Jan. 23, 2018**

(54) **SET TOP BOX WITH SPEAKER**

(56) **References Cited**

(71) Applicant: **LG ELECTRONICS INC.**, Seoul (KR)

U.S. PATENT DOCUMENTS

(72) Inventors: **Hyojin Won**, Seoul (KR); **Taeho Kim**, Seoul (KR); **Yongho Lee**, Seoul (KR)

D722,032 S * 2/2015 Chou D14/125
D723,480 S * 3/2015 Lee D14/125
D780,728 S * 3/2017 Shin D14/242
D782,430 S * 3/2017 Tam D14/125

(73) Assignee: **LG ELECTRONICS INC.**, Seoul (KR)

* cited by examiner

(**) Term: **15 Years**

Primary Examiner — Michael A Pratt

(21) Appl. No.: **35/501,329**

(74) *Attorney, Agent, or Firm* — Birch, Stewart, Kolasch & Birch, LLP

(22) Filed: **Feb. 2, 2016**

(57) **CLAIM**

The ornamental design for a set top box with speaker, as shown and described.

(80) **Hague Agreement Data**

DESCRIPTION

Int. Filing Date: **Feb. 2, 2016**
Int. Reg. No.: **DM/089687**
Int. Reg. Date: **Feb. 2, 2016**
Int. Reg. Pub. Date: **Aug. 5, 2016**

- 1. Set top box with speaker
- 1.1 : Perspective
- 1.2 : Front
- 1.3 : Back
- 1.4 : Left
- 1.5 : Right
- 1.6 : Top
- 1.7 : Bottom
- 1.8 : Reference

(30) **Foreign Application Priority Data**

Aug. 5, 2015 (KR) 30-2015-0039637

(51) **LOC (11) Cl.** **14-03**

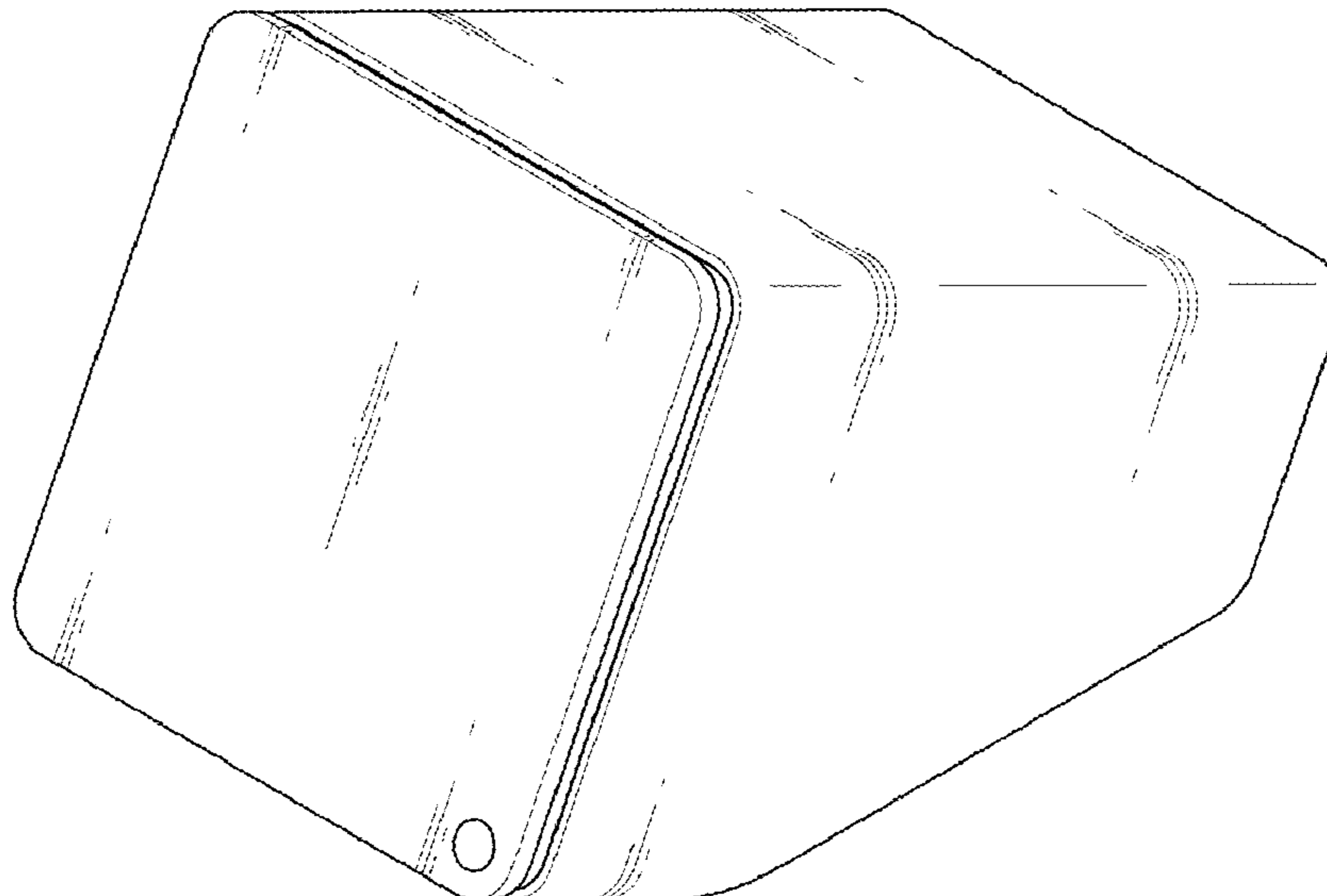
(52) **U.S. Cl.**
USPC **D14/125**

(58) **Field of Classification Search**
USPC D14/125, 357-358, 496, 188, 242, 432;
D13/184
CPC .. H04N 5/50; H04N 5/64; H05K 5/02; H05K
5/03; G06F 1/16

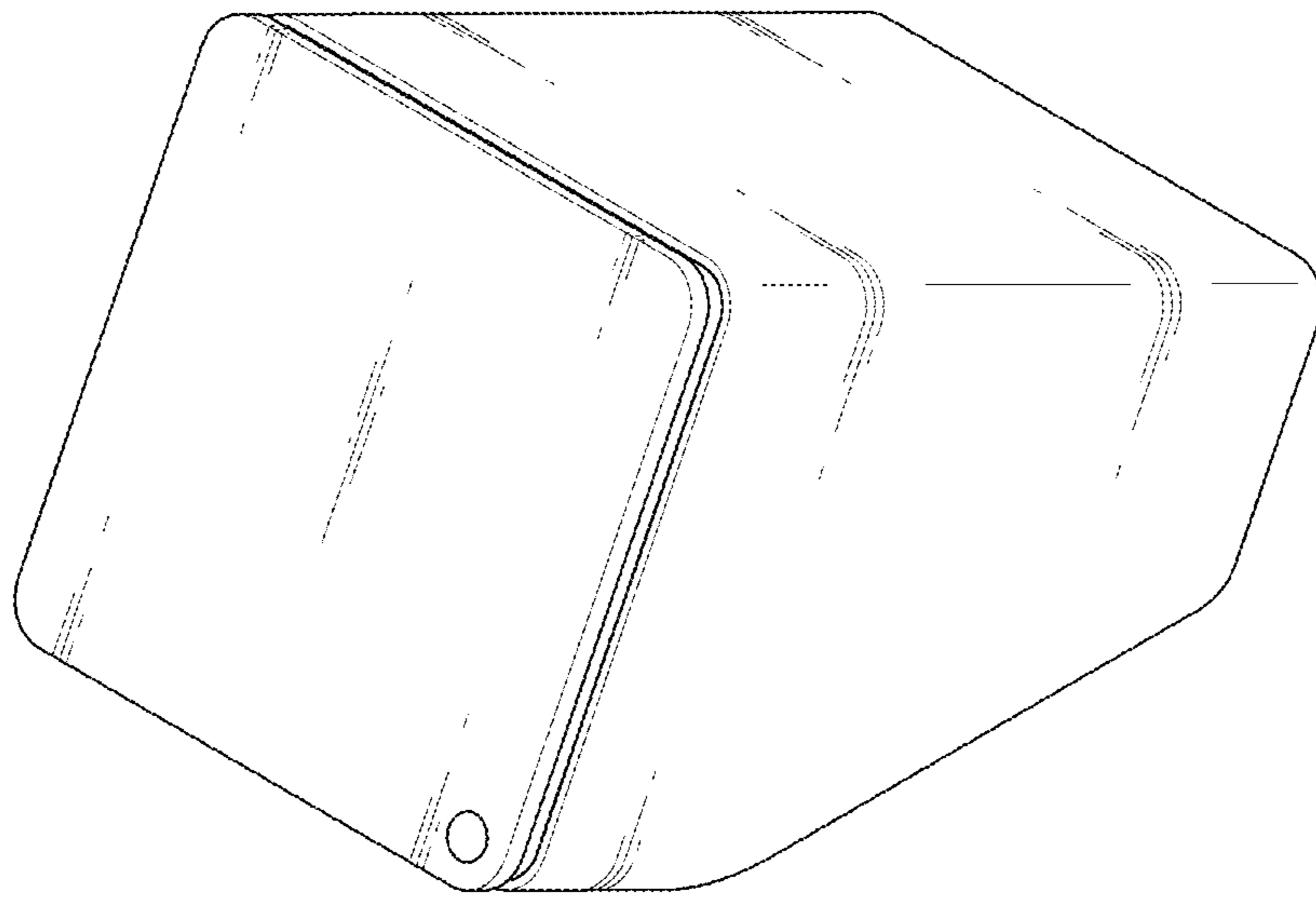
The broken line showing of a room setting in figure 1.8 illustrates the environment of the claimed design and forms no part thereof. The broken lines in figures 1.3 and 1.7 illustrate portions of the set top box with speaker which form no part of the claimed design.

See application file for complete search history.

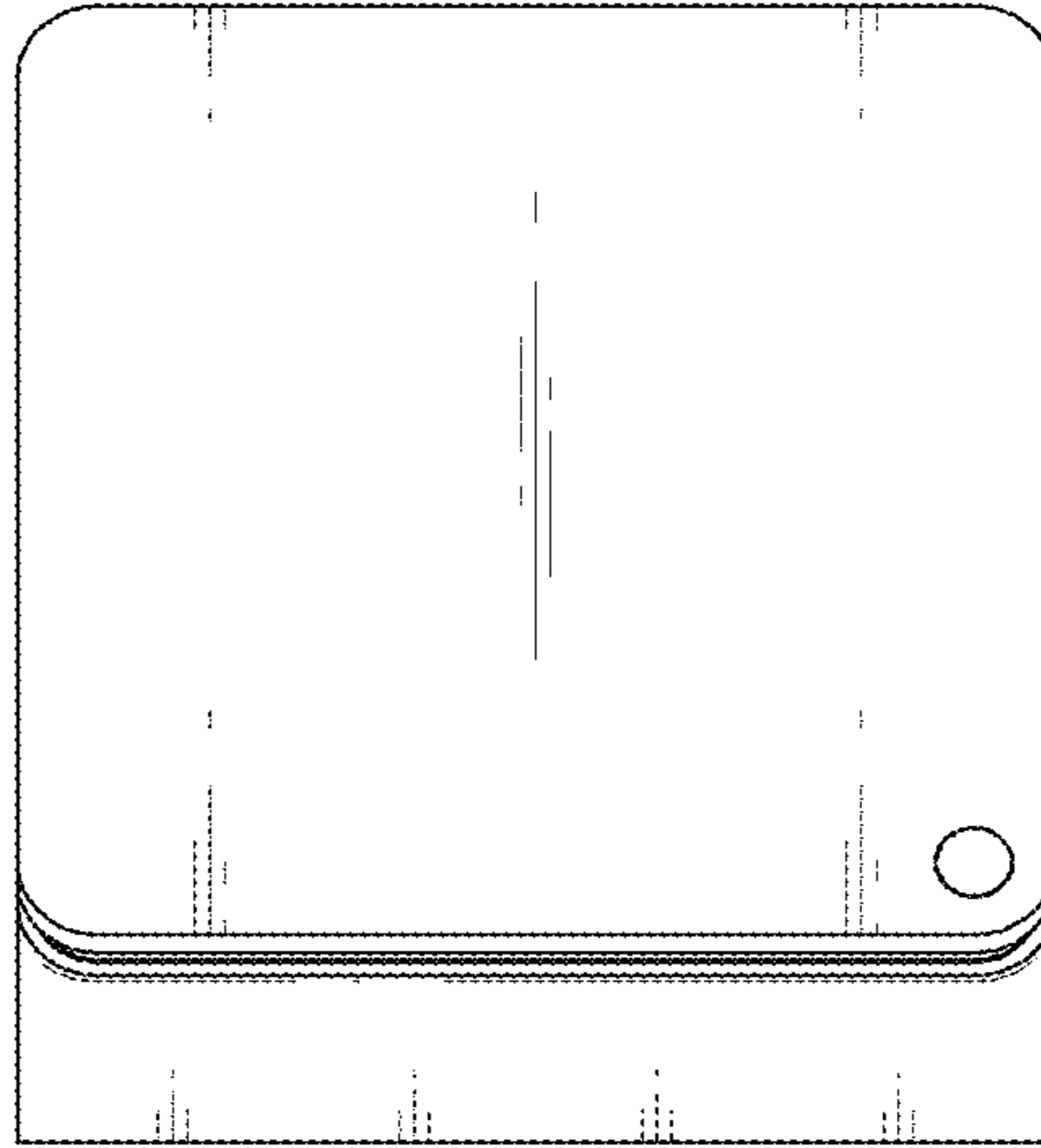
1 Claim, 6 Drawing Sheets



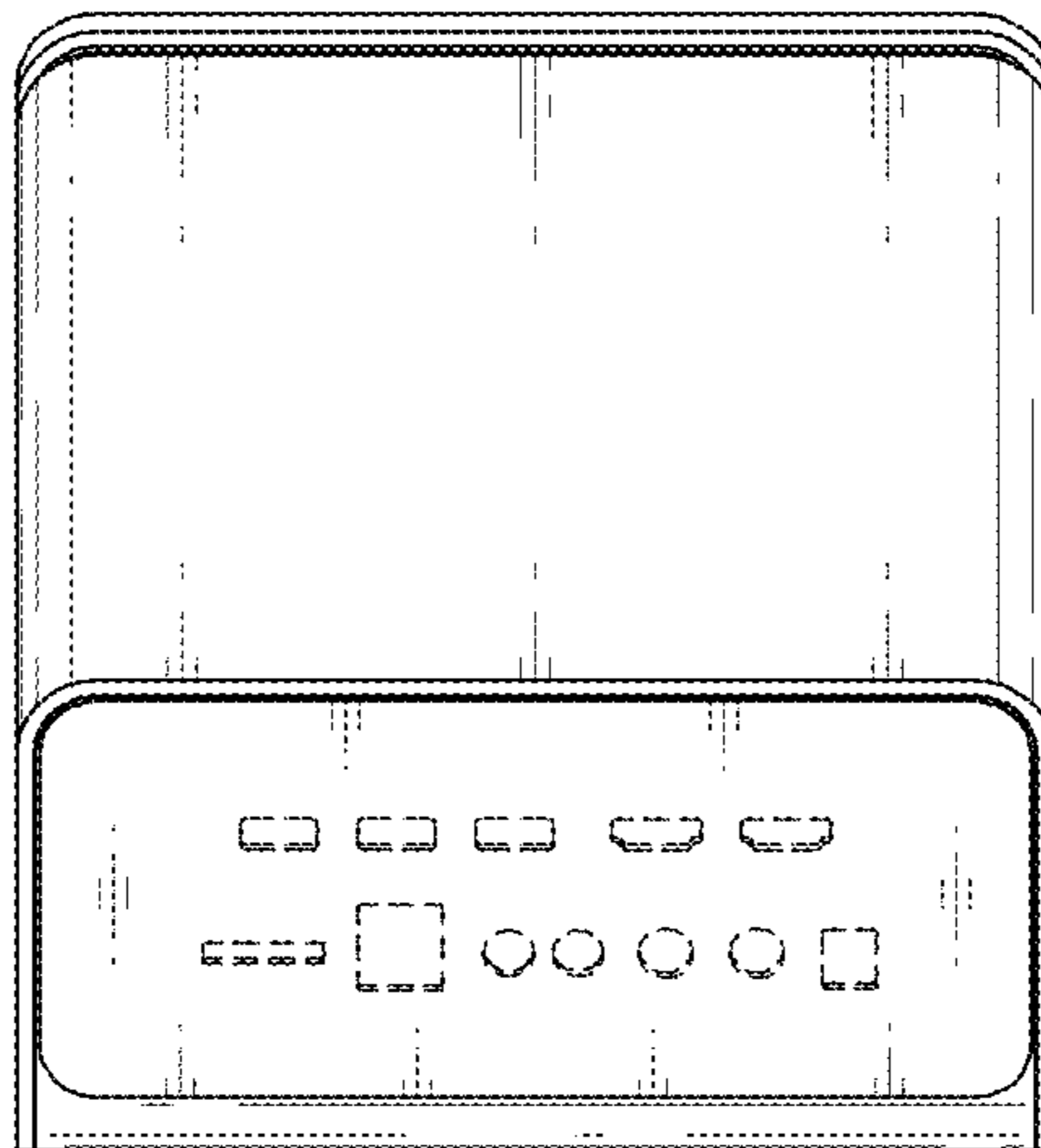
1.1



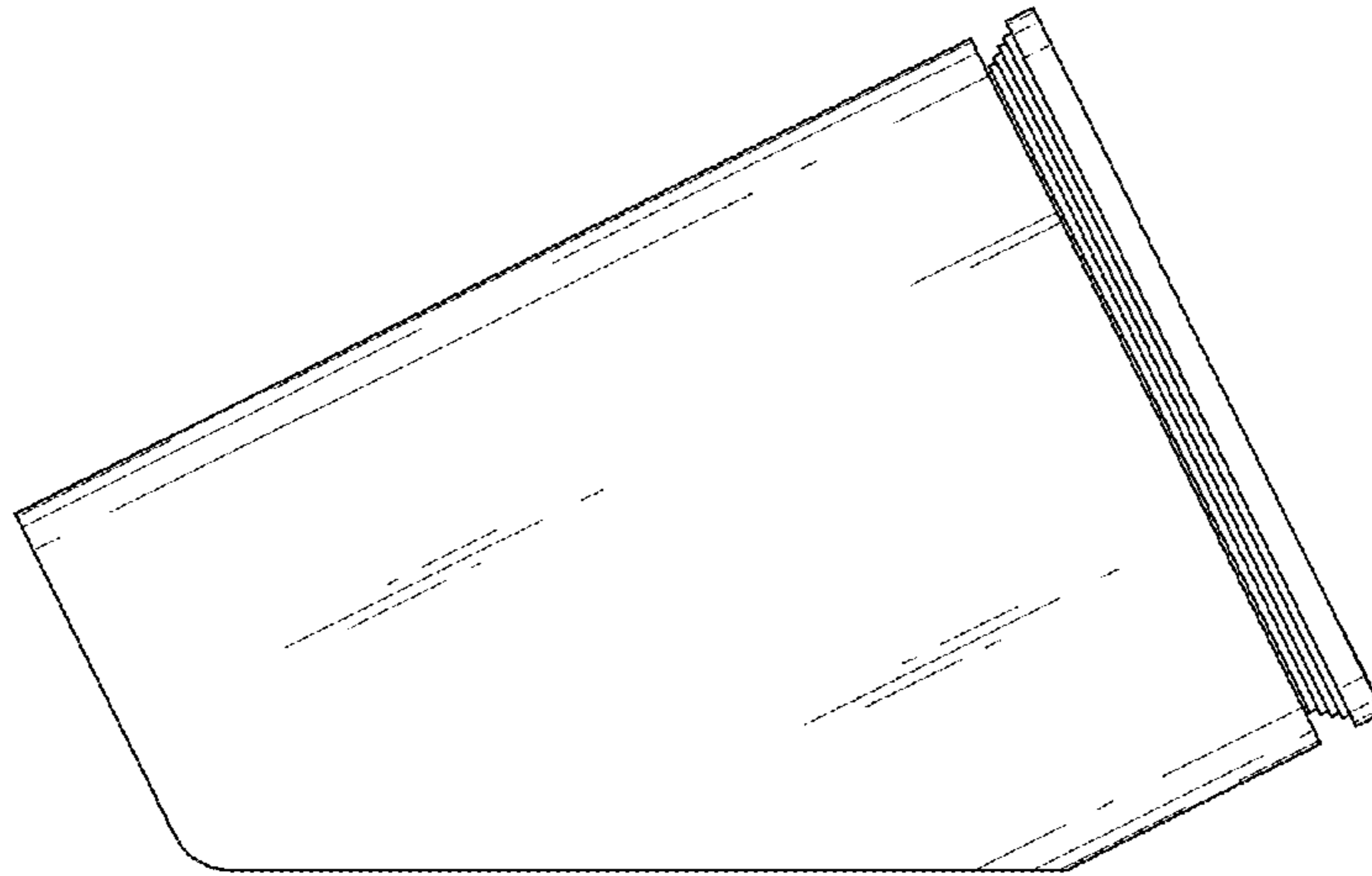
1.2



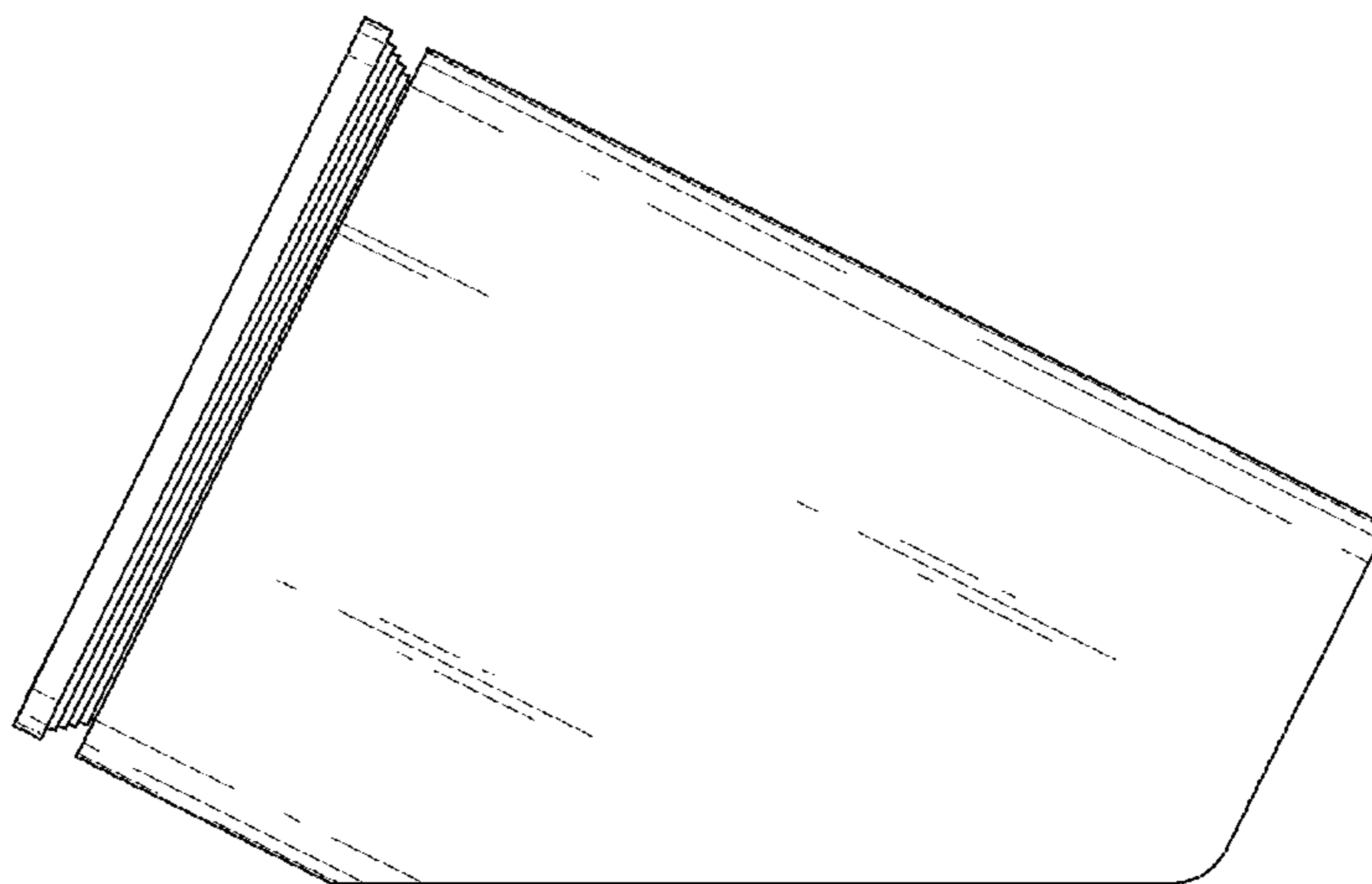
1.3



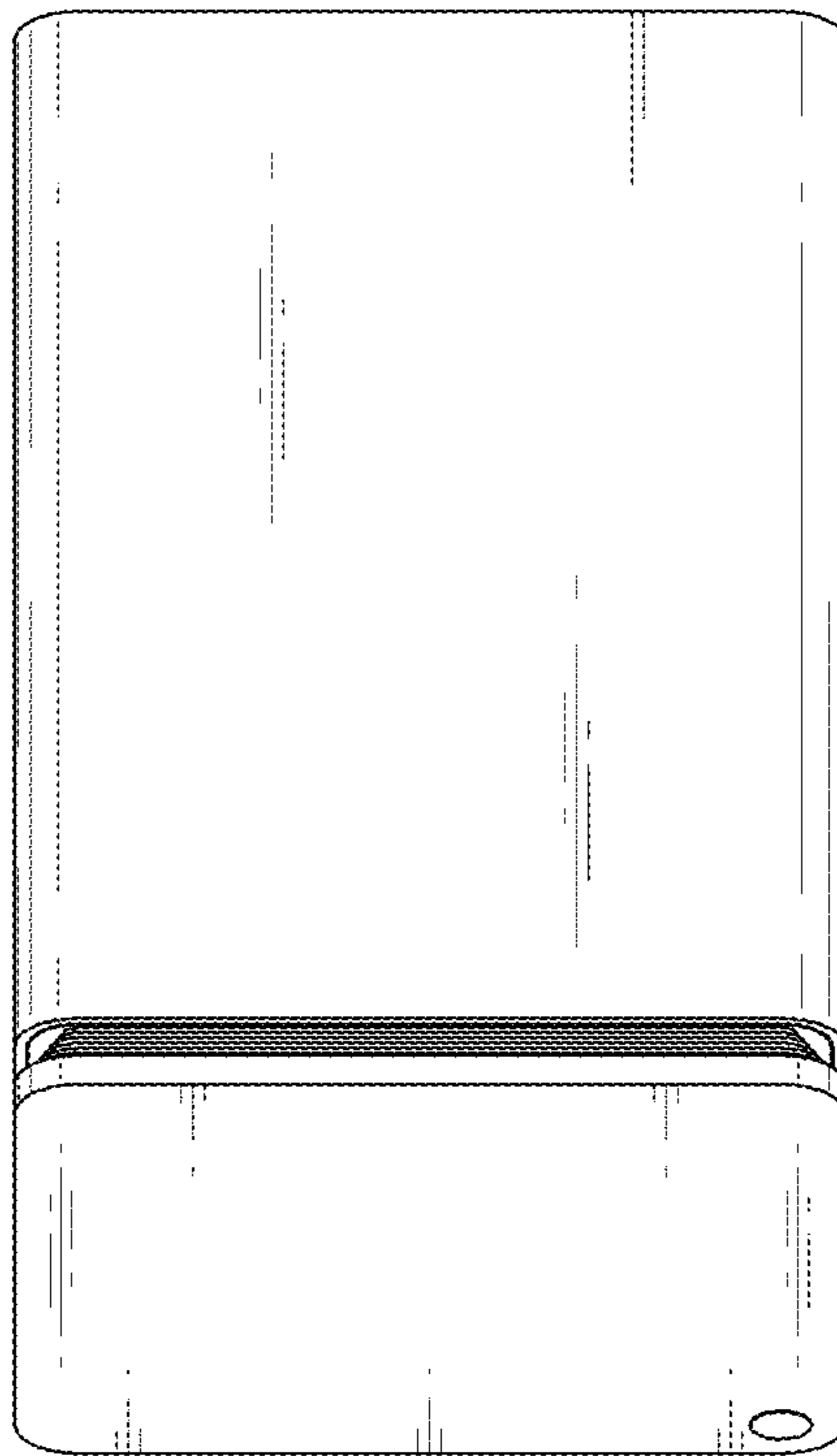
1.4



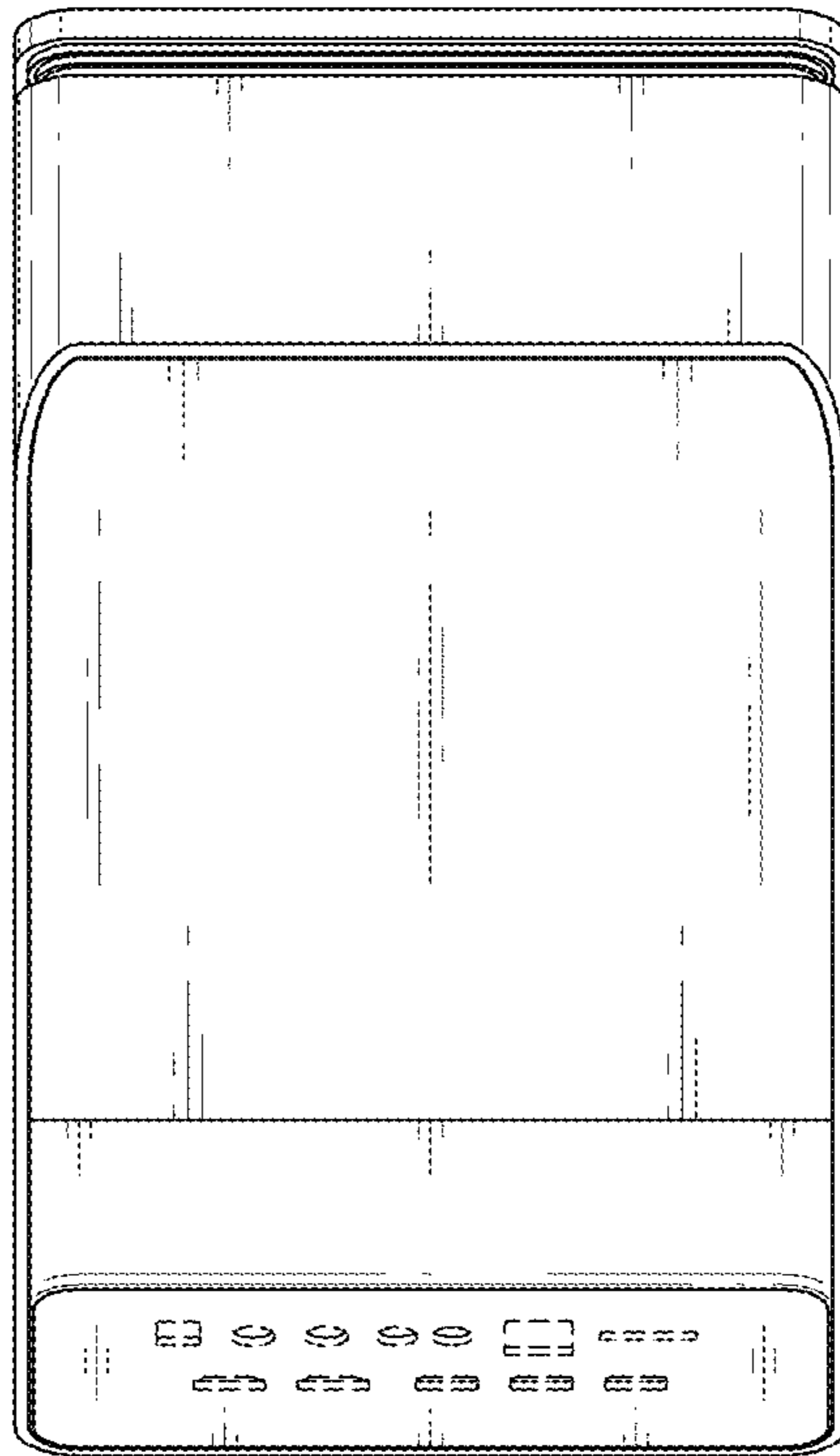
1.5



1.6



1.7



1.8

