



US00D808348S

(12) **United States Design Patent**
Lengua

(10) **Patent No.:** **US D808,348 S**

(45) **Date of Patent:** **** Jan. 23, 2018**

(54) **LED MODULE**

(71) Applicant: **Leonardo Genaro Lengua**, Orlando, FL (US)

(72) Inventor: **Leonardo Genaro Lengua**, Orlando, FL (US)

(**) Term: **15 Years**

(21) Appl. No.: **29/572,666**

(22) Filed: **Jul. 29, 2016**

(51) **LOC (11) Cl.** **13-03**

(52) **U.S. Cl.**
USPC **D13/180**

(58) **Field of Classification Search**
USPC D13/180; D26/1, 24
CPC ... H01L 25/167; H01L 25/0753; H01L 27/15;
H01L 27/156; H01L 31/02; H01L 33/00;
H01L 33/04; H01L 33/08; H01L 33/10;
H01L 33/20; H01L 33/38; H01L 33/42;
H01L 33/48; H01L 33/483; H01L 33/486;
F21S 9/022

See application file for complete search history.

(56) **References Cited**

U.S. PATENT DOCUMENTS

D500,295 S * 12/2004 Wedig D13/180
D565,753 S * 4/2008 Uemoto D26/1
7,600,896 B2 * 10/2009 Wang F21V 15/01
362/240
D604,871 S * 11/2009 Denton D26/24
D611,436 S * 3/2010 Ho D13/180

D637,563 S * 5/2011 Reed D13/180
8,030,569 B2 * 10/2011 Nakata H01L 31/035281
136/244
D733,670 S * 7/2015 Hsing Chen D13/180
2005/0286265 A1 * 12/2005 Zampini F21S 9/022
362/612
2008/0217643 A1 * 9/2008 Lin F21K 9/00
257/99
2010/0226136 A1 * 9/2010 Murakoshi F21K 9/00
362/362
2013/0175551 A1 * 7/2013 Lim H01L 33/486
257/88
2014/0292198 A1 * 10/2014 Sanders F21V 15/01
315/86
2016/0043284 A1 * 2/2016 Murayama H01L 33/486
257/88

* cited by examiner

Primary Examiner — Selina Sikder

(74) *Attorney, Agent, or Firm* — William M. Hobby, III

(57) **CLAIM**

The ornamental design for an LED module, as shown and described.

DESCRIPTION

FIG. 1 is a perspective view of an LED module showing my new design;
FIG. 2 is a front side elevation thereof;
FIG. 3 is a rear side elevation thereof;
FIG. 4 is an end elevation thereof, it being understood that the view from both ends is identical;
FIG. 5 is a top plan view thereof; and,
FIG. 6 is a bottom plan view thereof.

1 Claim, 2 Drawing Sheets

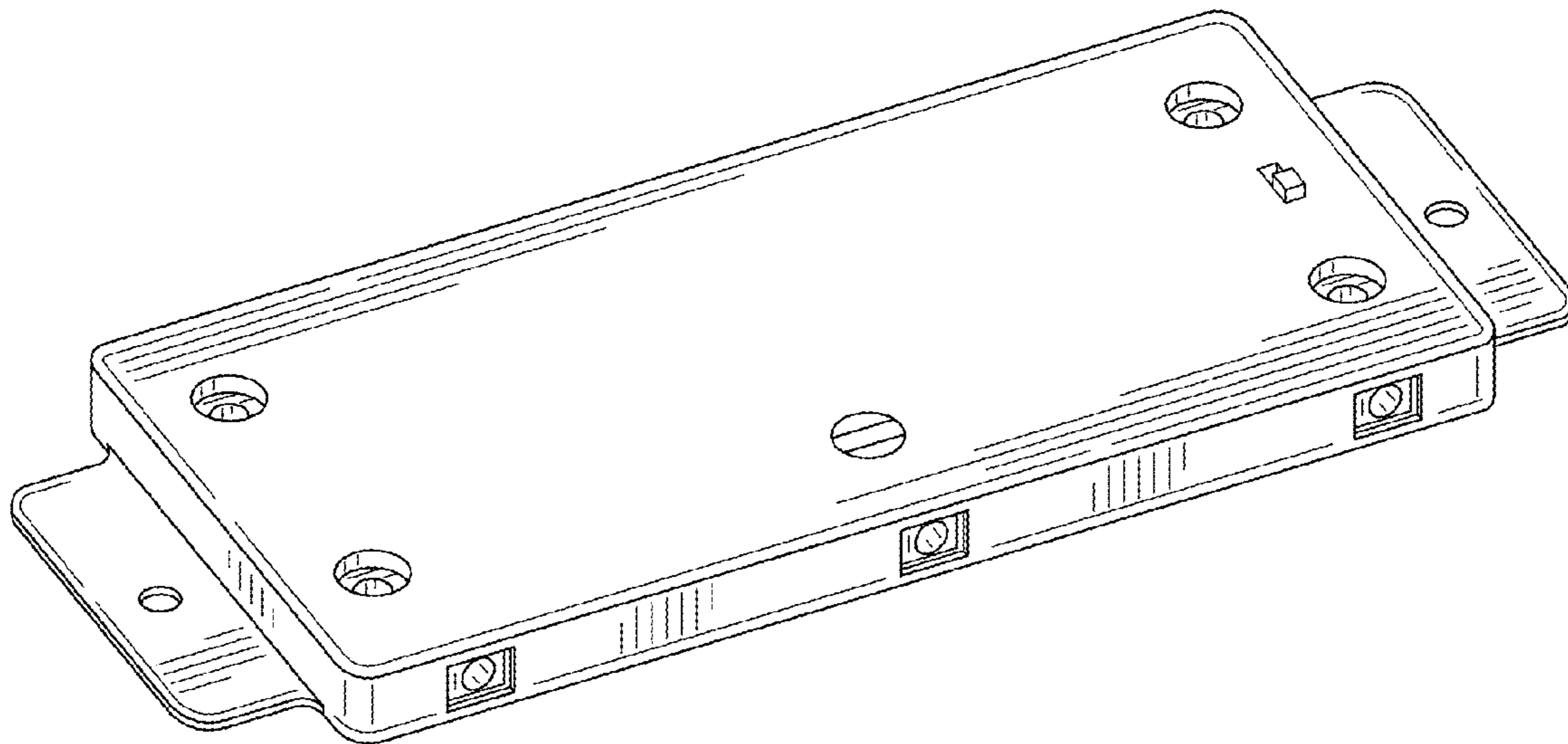


FIG. 1

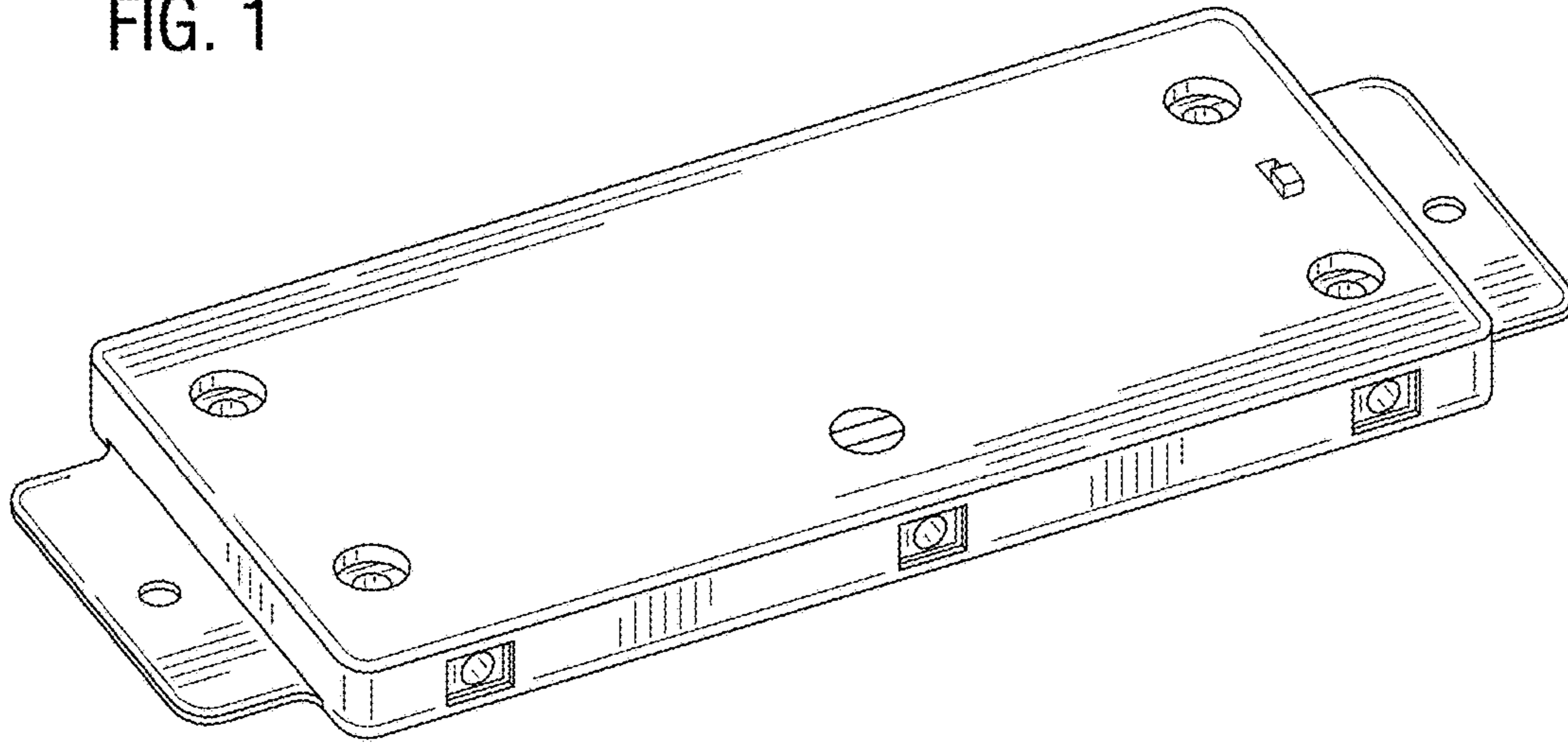


FIG. 2



FIG. 3



FIG. 4

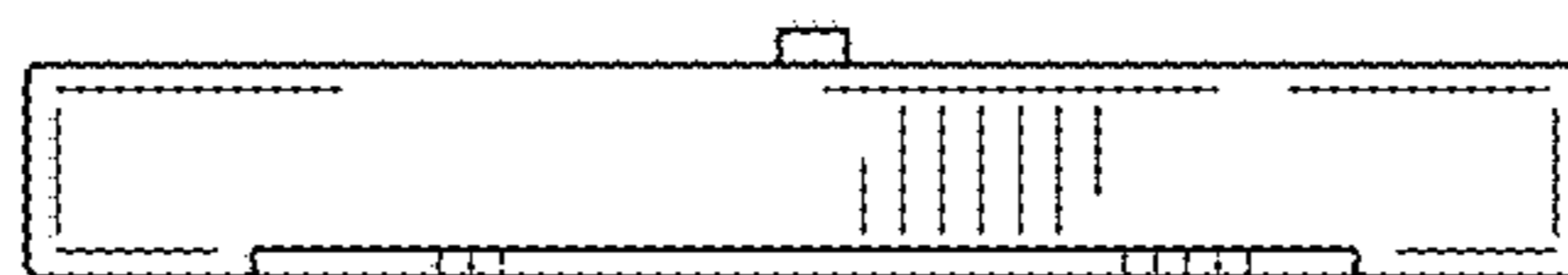


FIG. 5

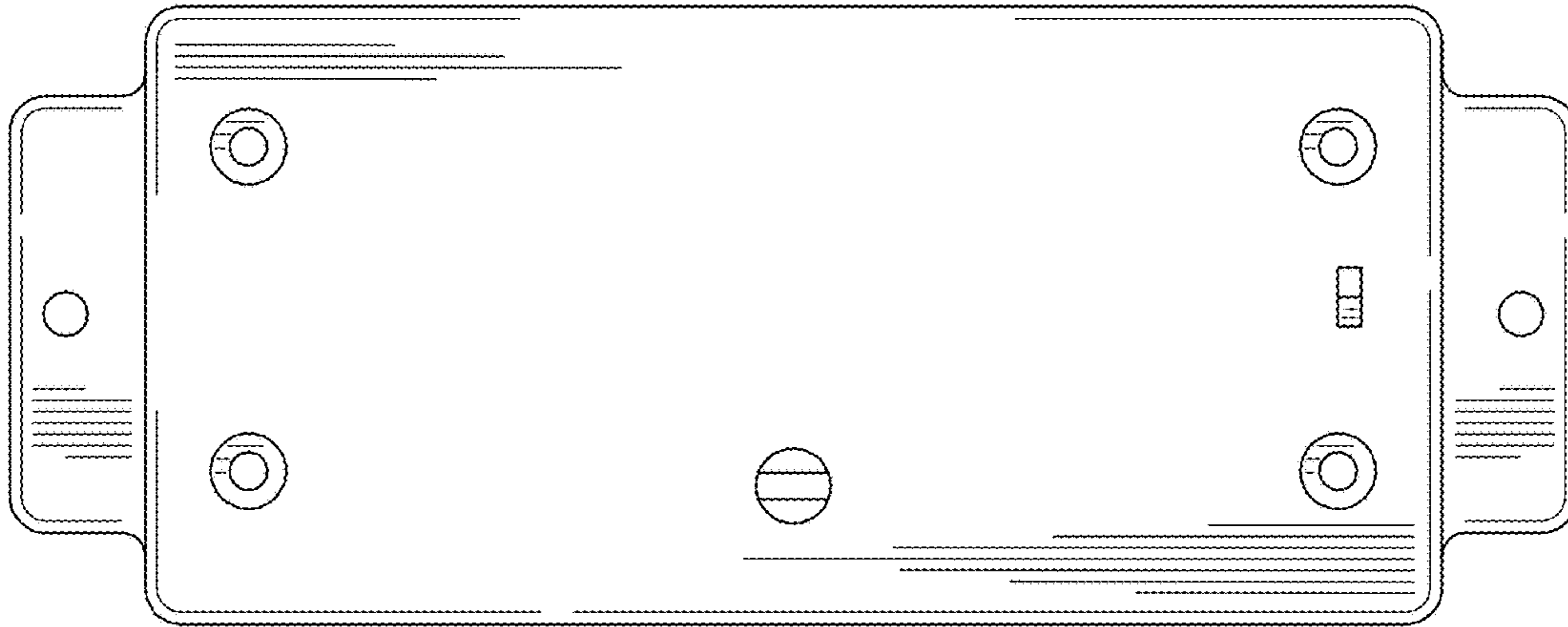


FIG. 6

