



US00D808347S

(12) **United States Design Patent**
Benda et al.

(10) **Patent No.:** **US D808,347 S**
(45) **Date of Patent:** **** Jan. 23, 2018**

(54) **MULTI-POLE BREAKER LOCKOUT**

(71) Applicant: **Brady Worldwide, Inc.**, Milwaukee, WI (US)

(72) Inventors: **Steven J. Benda**, Cokato, MN (US);
Nels E. Benda, Hancock, MI (US);
Chad M. Benda, Cokato, MN (US);
Katherine A. Cherney, Glendale, WI (US);
Andrew N. Enger, Muskego, WI (US)

(73) Assignee: **Brady Worldwide, Inc.**, Milwaukee, WI (US)

(**) Term: **15 Years**

(21) Appl. No.: **29/561,252**

(22) Filed: **Apr. 14, 2016**

(51) **LOC (11) Cl.** **13-03**

(52) **U.S. Cl.**
USPC **D13/178**

(58) **Field of Classification Search**
USPC D13/173, 178; D8/394, 330, 331
CPC H01H 9/20; H01H 9/28; H01H 9/283;
H01H 9/282; H01H 9/285; E05B 65/00
See application file for complete search history.

(56) **References Cited**

U.S. PATENT DOCUMENTS

5,122,624 A 6/1992 Benda
5,300,740 A 4/1994 Benda
5,500,495 A 3/1996 Benda et al.

(Continued)

Primary Examiner — Selina Sikder

(74) *Attorney, Agent, or Firm* — Quarles & Brady LLP

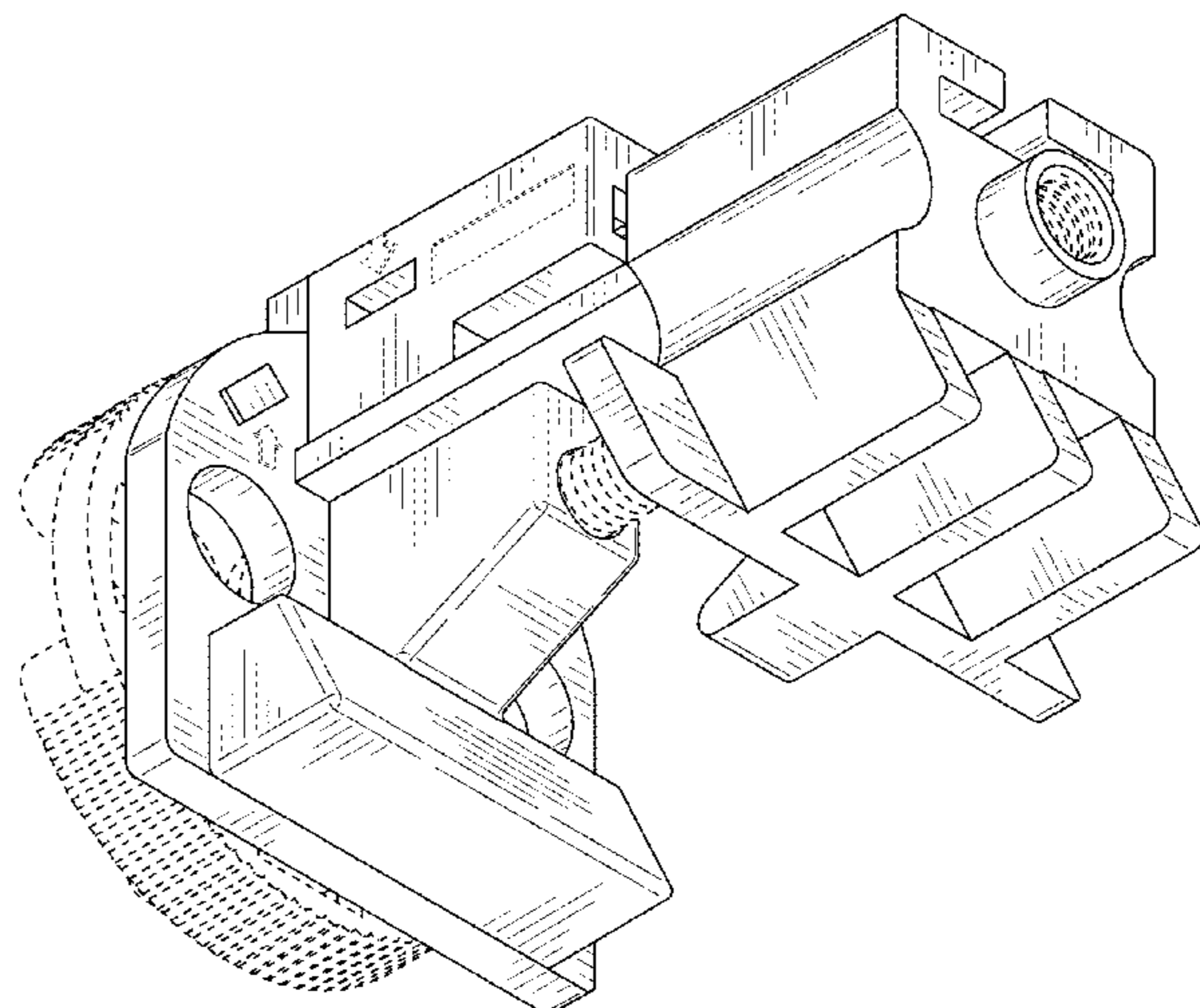
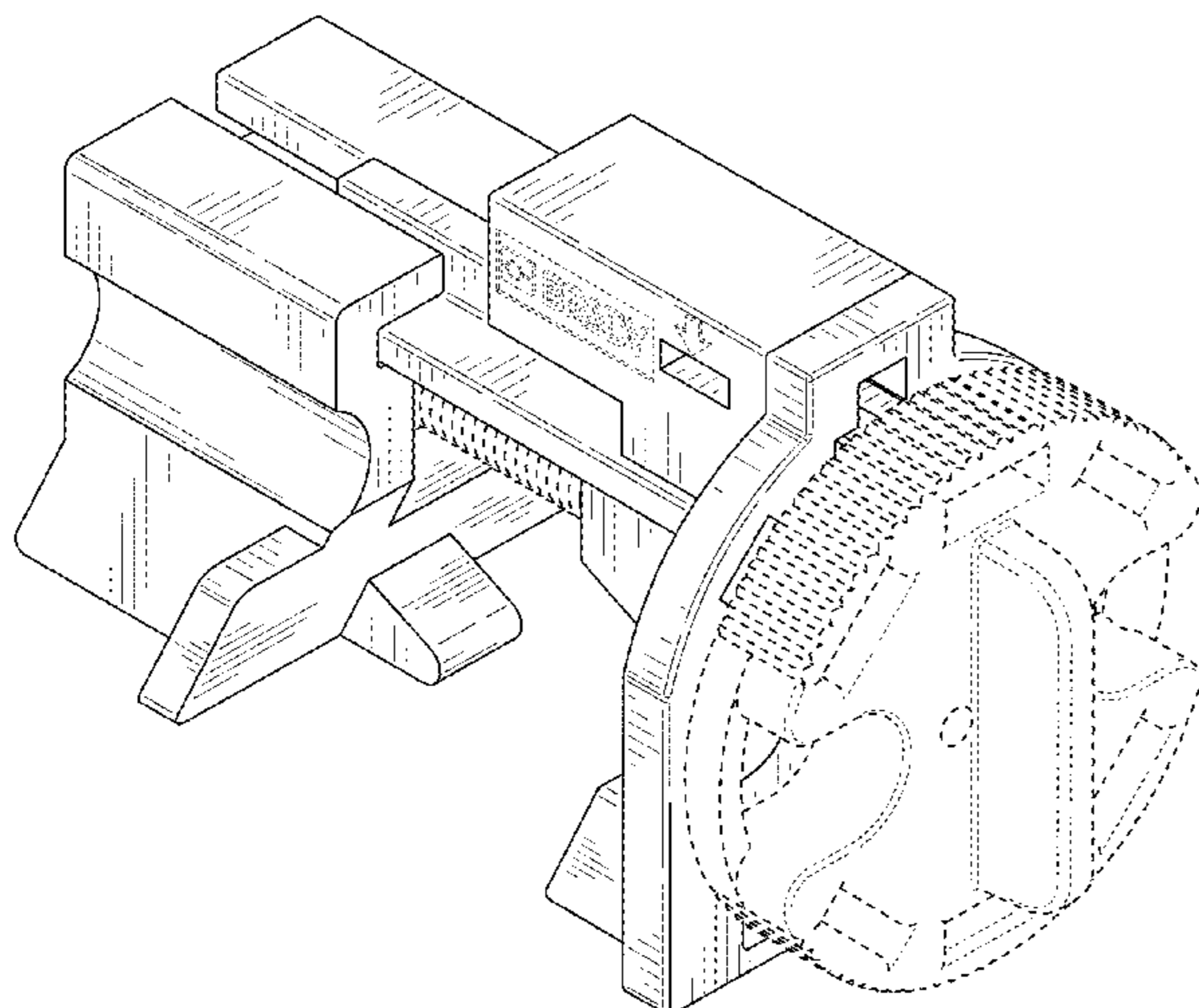
(57) **CLAIM**

The ornamental design for a multi-pole breaker lockout, as shown and described.

DESCRIPTION

FIG. 1 is an isometric view of a top, front, and left side of an ornamental design for a multi-pole breaker lockout, including the cover shown in FIGS. 1-8;
FIG. 2 is an isometric view of a bottom, rear, and right side of the breaker lockout of FIG. 1;
FIG. 3 is a front elevational view of the multi-pole breaker lockout of FIG. 1;
FIG. 4 is a rear elevational view of the multi-pole breaker lockout of FIG. 1;
FIG. 5 is a right side elevational view of the multi-pole breaker lockout of FIG. 1;
FIG. 6 is a left side elevational view of the multi-pole breaker lockout of FIG. 1;
FIG. 7 is a top plan elevational view of the multi-pole breaker lockout of FIG. 1;
FIG. 8 is a bottom plan elevational view of the multi-pole breaker lockout of FIG. 1;
FIG. 9 is an isometric view of a top, front, and left side of the multi-pole breaker lockout of FIGS. 1-8 in a closed state;
FIG. 10 is an isometric view of a bottom, rear, and right side of the multi-pole breaker lockout of FIG. 9;
FIG. 11 is a front elevational view of the multi-pole breaker lockout of FIG. 9;
FIG. 12 is a rear elevational view of the multi-pole breaker lockout of FIG. 9;
FIG. 13 is a right side elevational view of the multi-pole breaker lockout of FIG. 9;
FIG. 14 is a left side elevational view of the multi-pole breaker lockout of FIG. 9;
FIG. 15 is a top plan elevational view of the multi-pole breaker lockout of FIG. 9; and,
FIG. 16 is a bottom plan elevational view of the multi-pole breaker lockout of FIG. 9.
The dash-dash broken lines are included for the purpose of illustrating portions of the multi-pole breaker lockout that form no part of the claimed design.

1 Claim, 16 Drawing Sheets



(56)

References Cited

U.S. PATENT DOCUMENTS

6,617,532	B1 *	9/2003	Turek	H01H 9/283 200/43.14
6,727,441	B2 *	4/2004	Benda	H01H 9/283 200/43.11
6,791,040	B1 *	9/2004	Puhalla	H01H 9/283 200/43.14
D535,629	S *	1/2007	Kalous	D13/178
7,262,376	B2 *	8/2007	Brojanac	H01H 9/283 200/43.14
D564,337	S *	3/2008	Brojanac	D13/178
D564,859	S *	3/2008	Brojanac	D13/178
7,371,980	B2 *	5/2008	Marshall	H01H 9/283 200/43.11
8,629,359	B2 *	1/2014	Hackett	H01H 9/283 200/43.14
8,748,759	B2 *	6/2014	Howard	H01H 9/282 200/43.14
9,202,646	B2 *	12/2015	Obenshain	H01H 9/20
9,208,964	B2 *	12/2015	Dudgeon	H01H 9/283
9,373,459	B1 *	6/2016	Mininberg	E05B 13/002
2004/0245077	A1	12/2004	Benda		

* cited by examiner

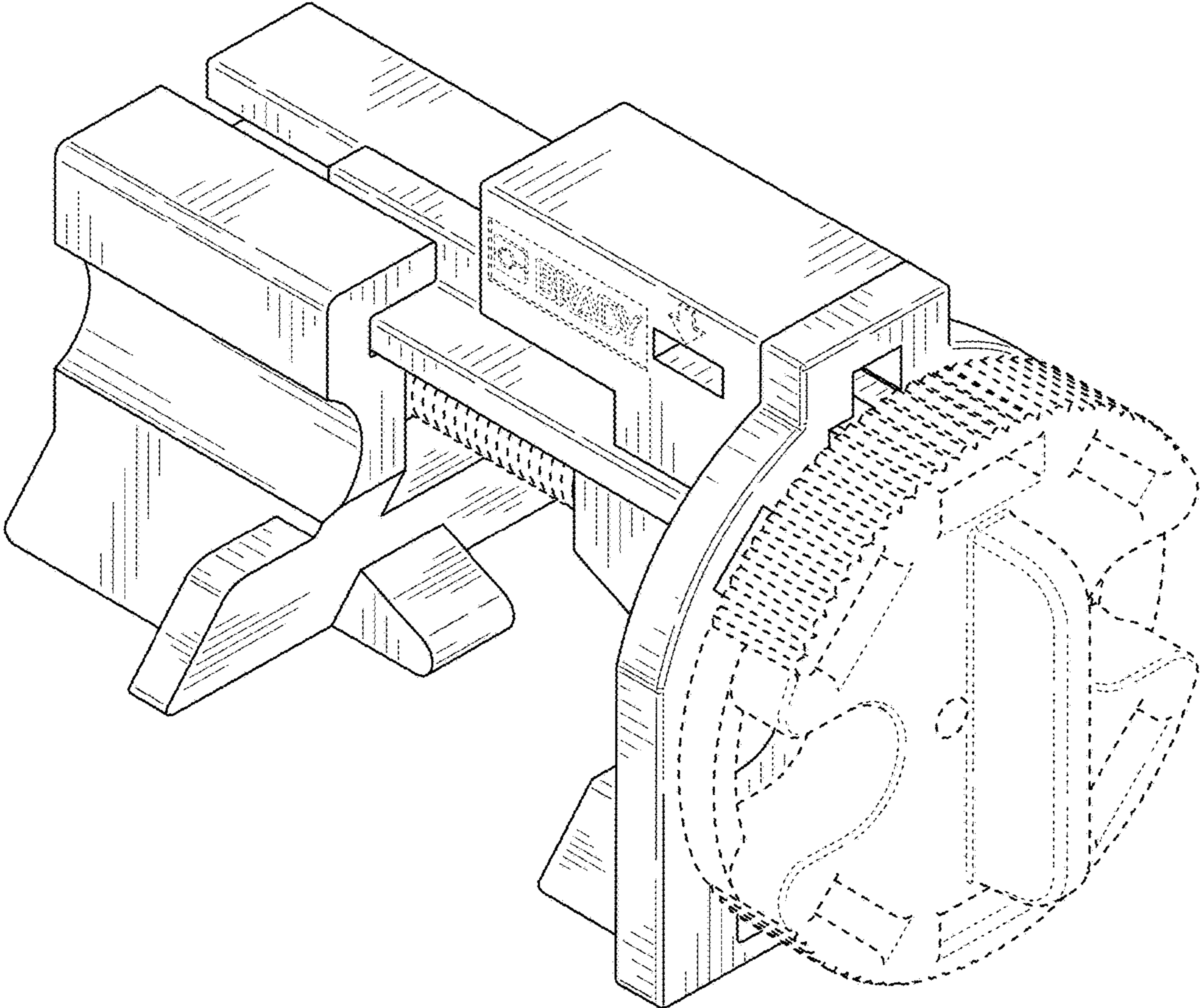


FIG. 1

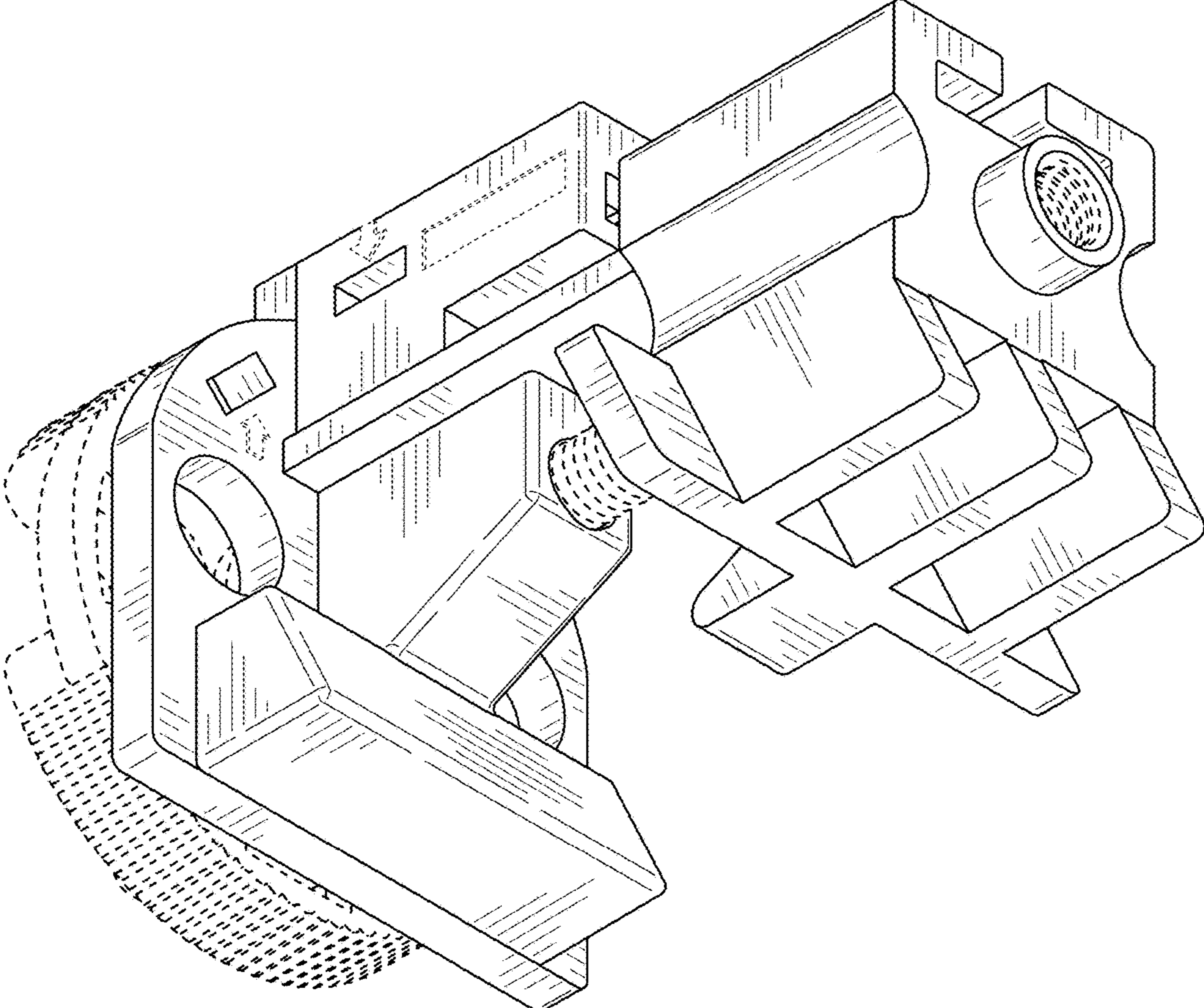


FIG. 2

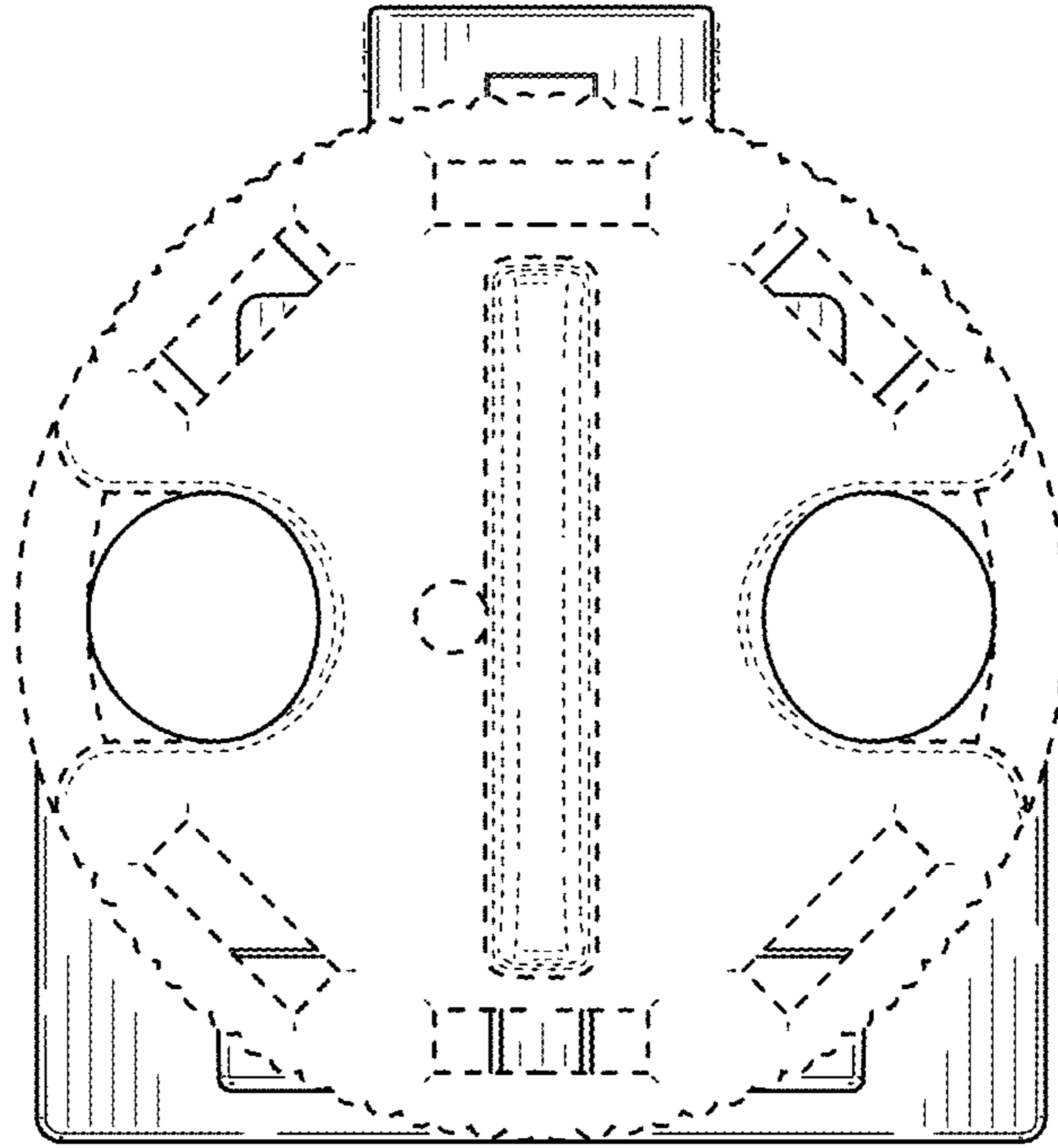


FIG. 3

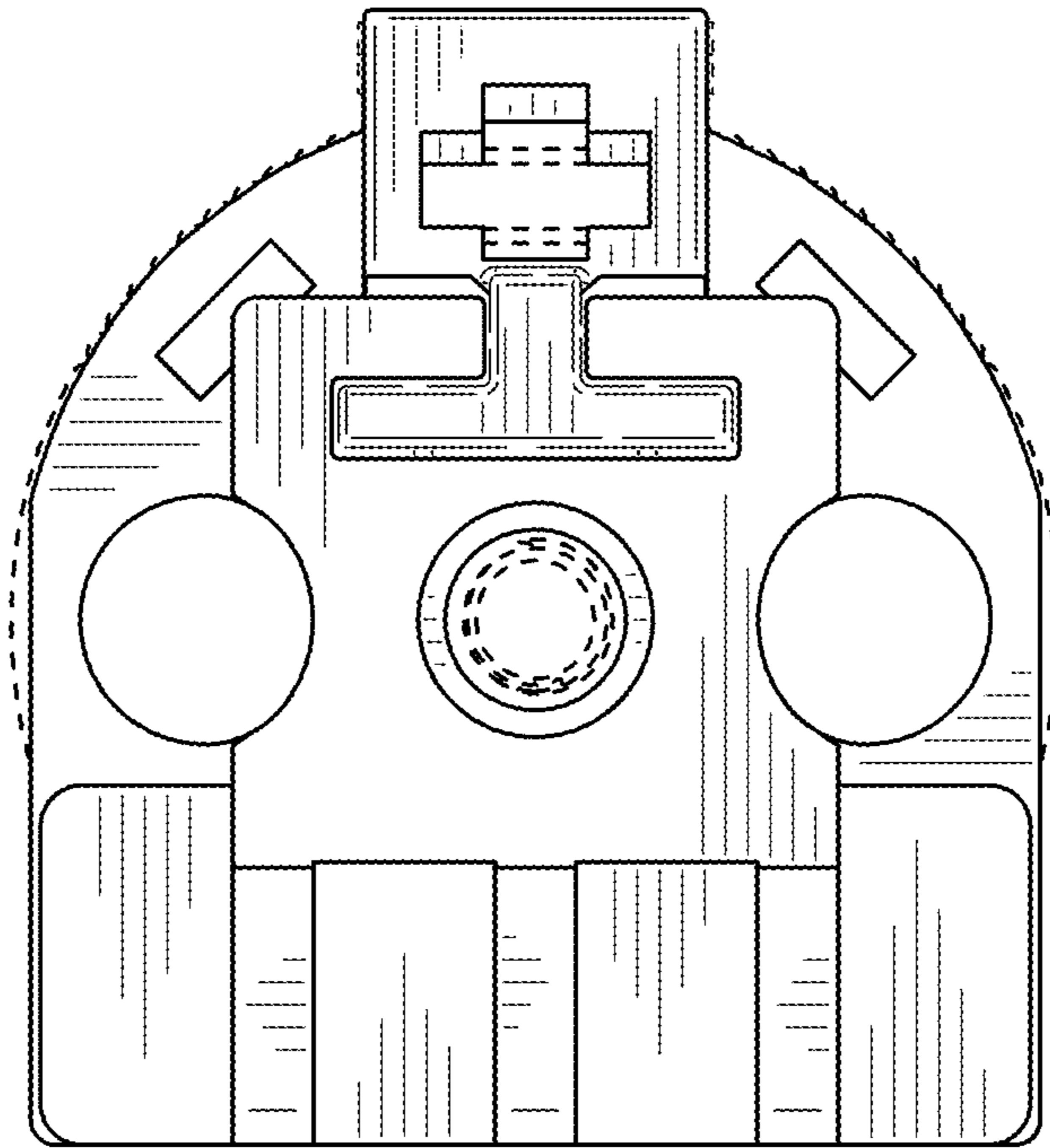


FIG. 4

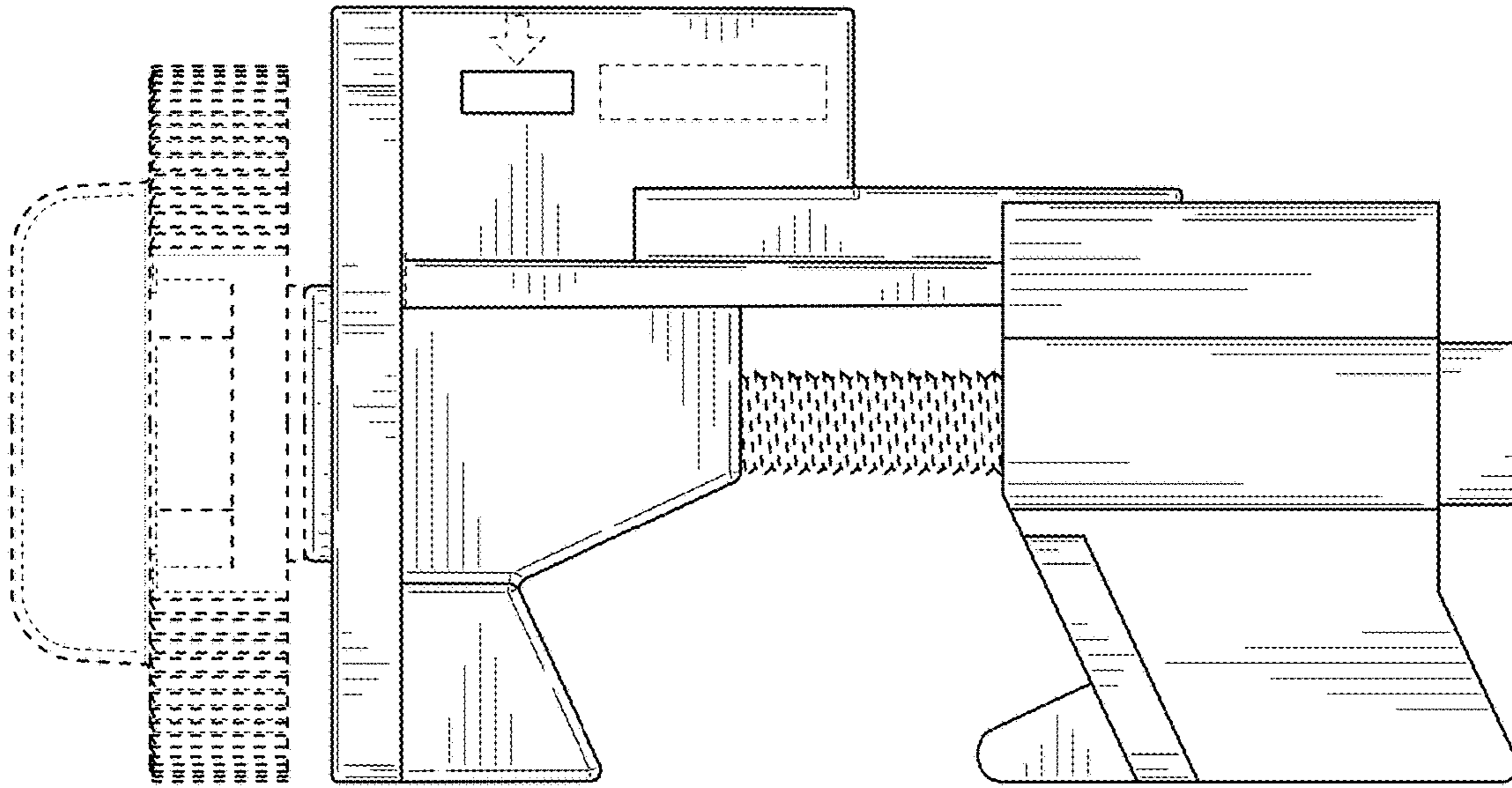


FIG. 5

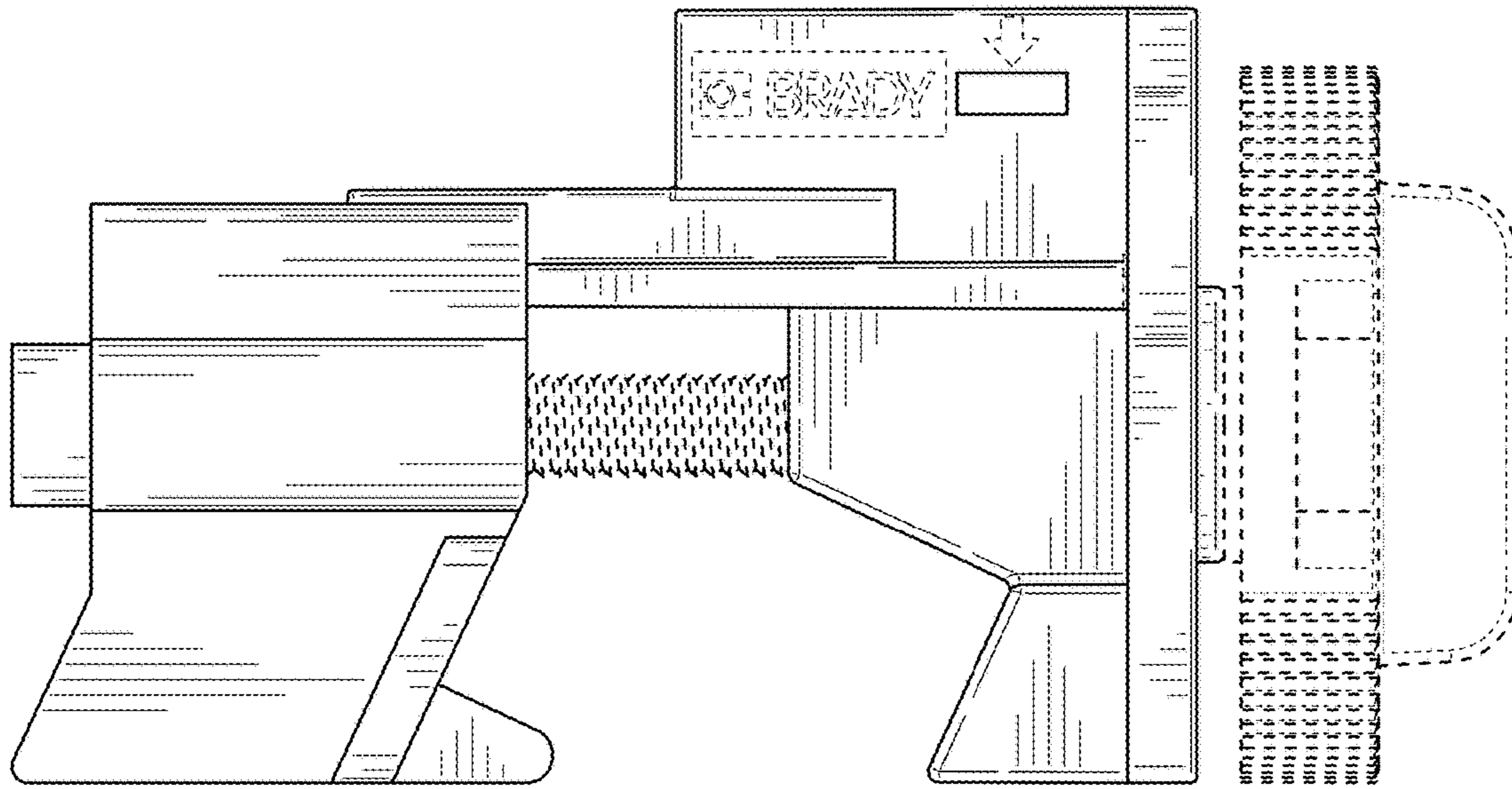


FIG. 6

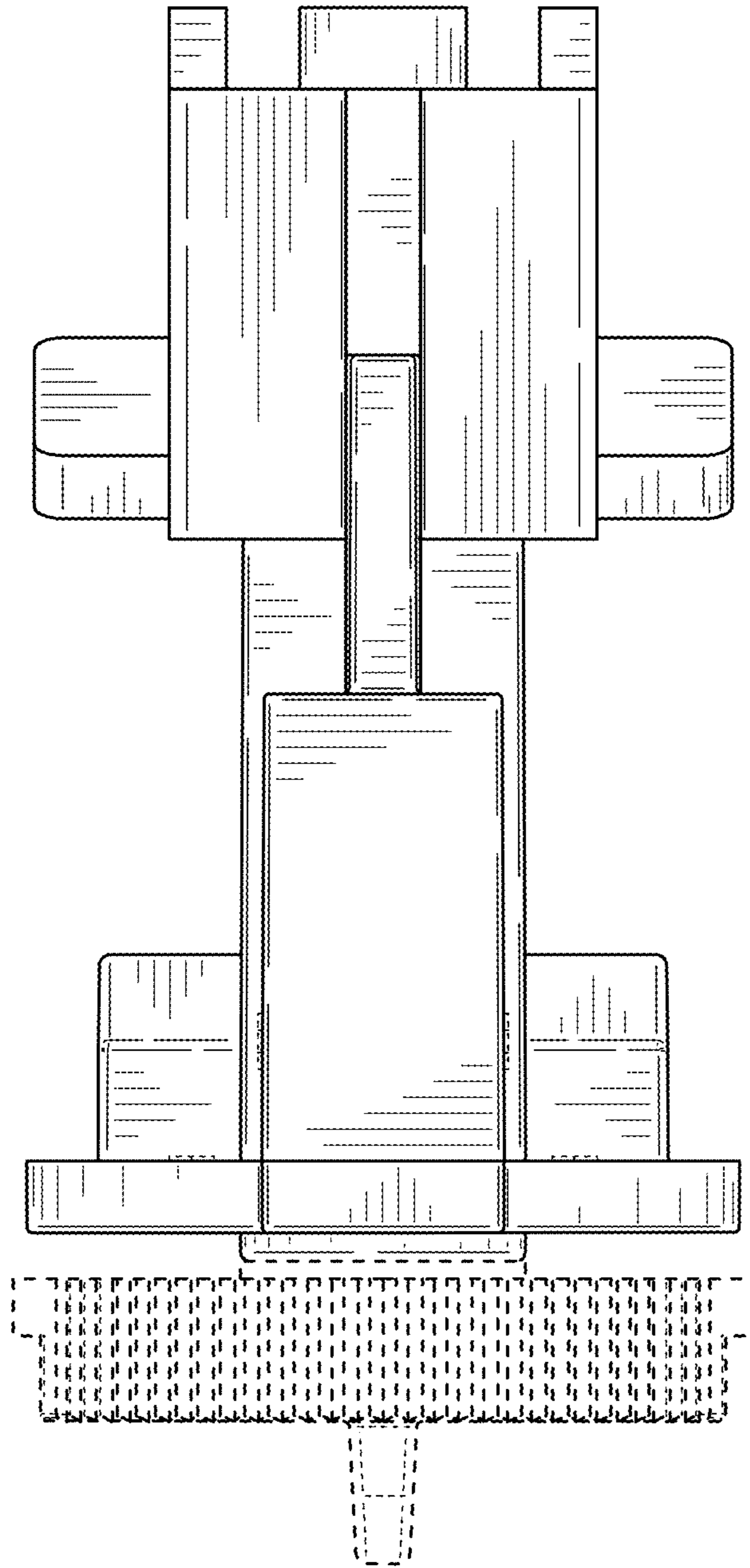


FIG. 7

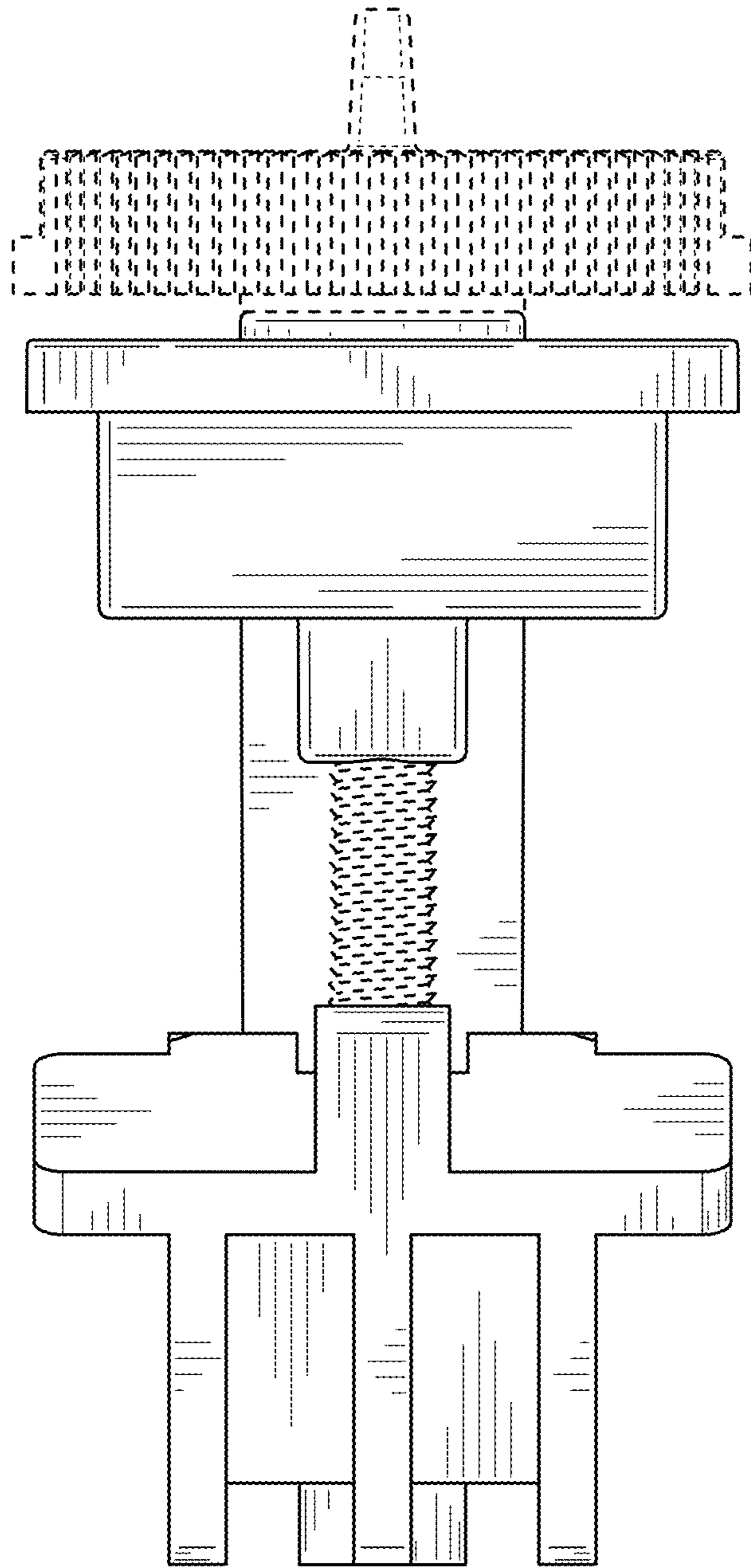


FIG. 8

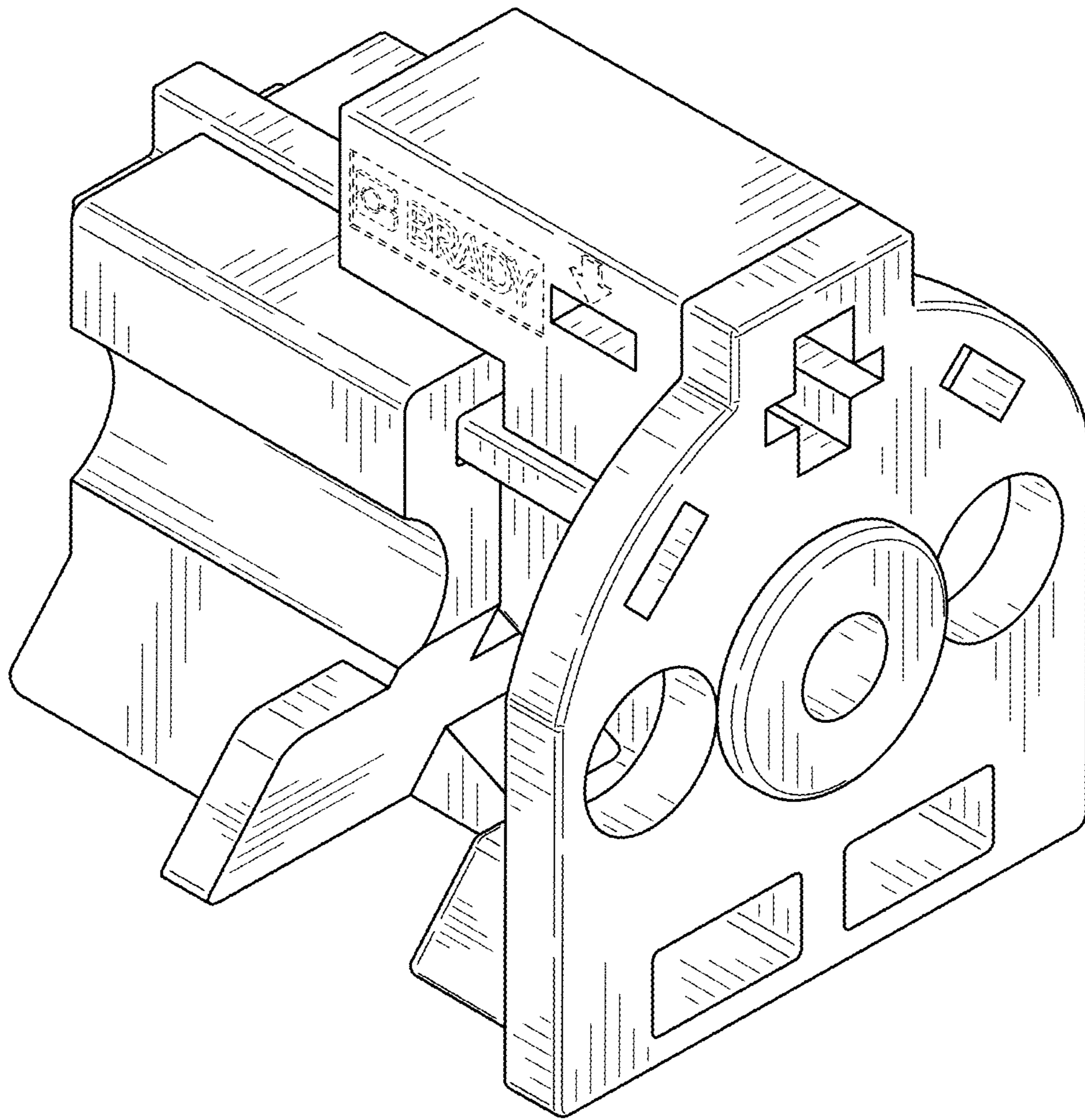


FIG. 9

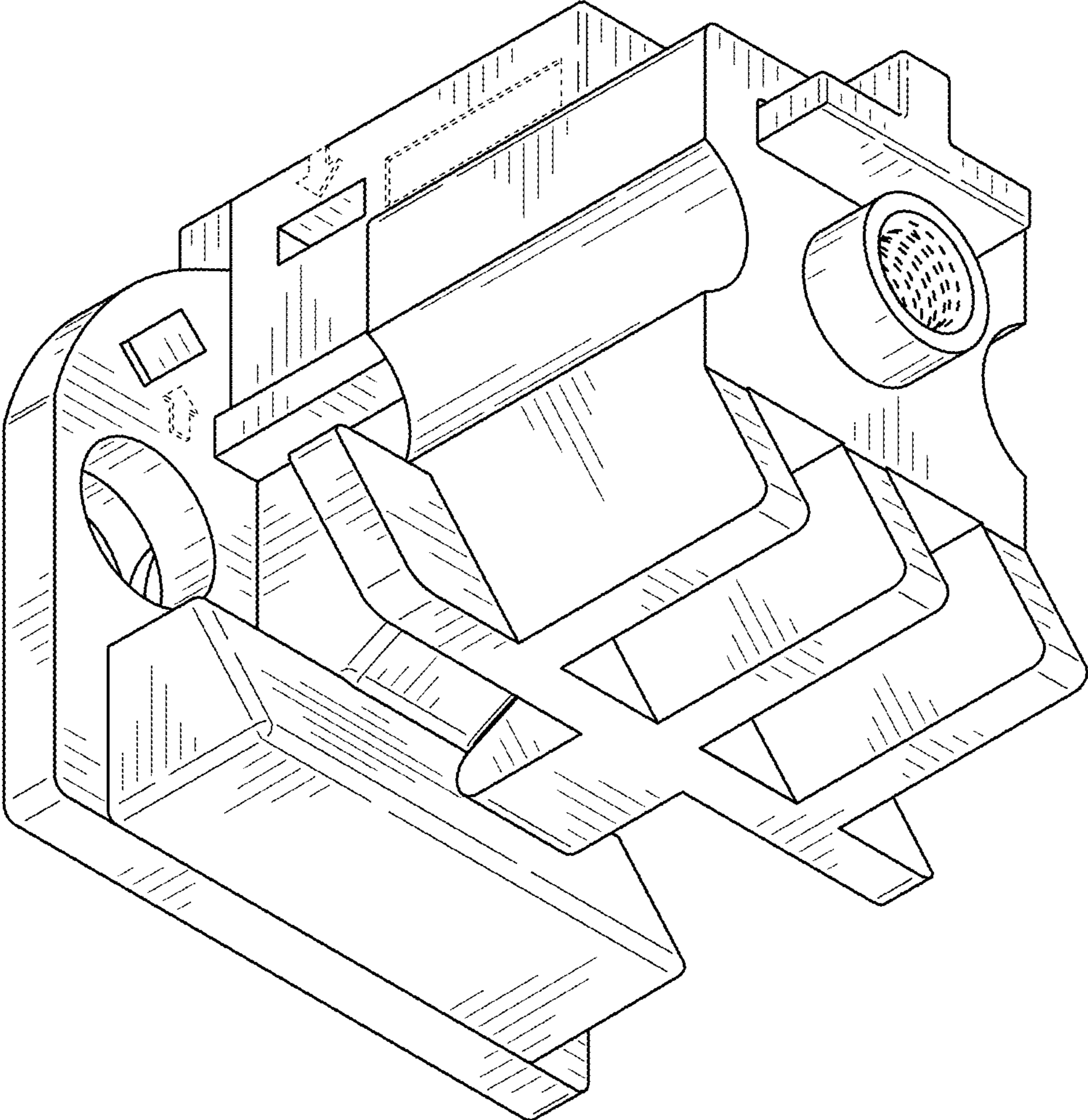


FIG. 10

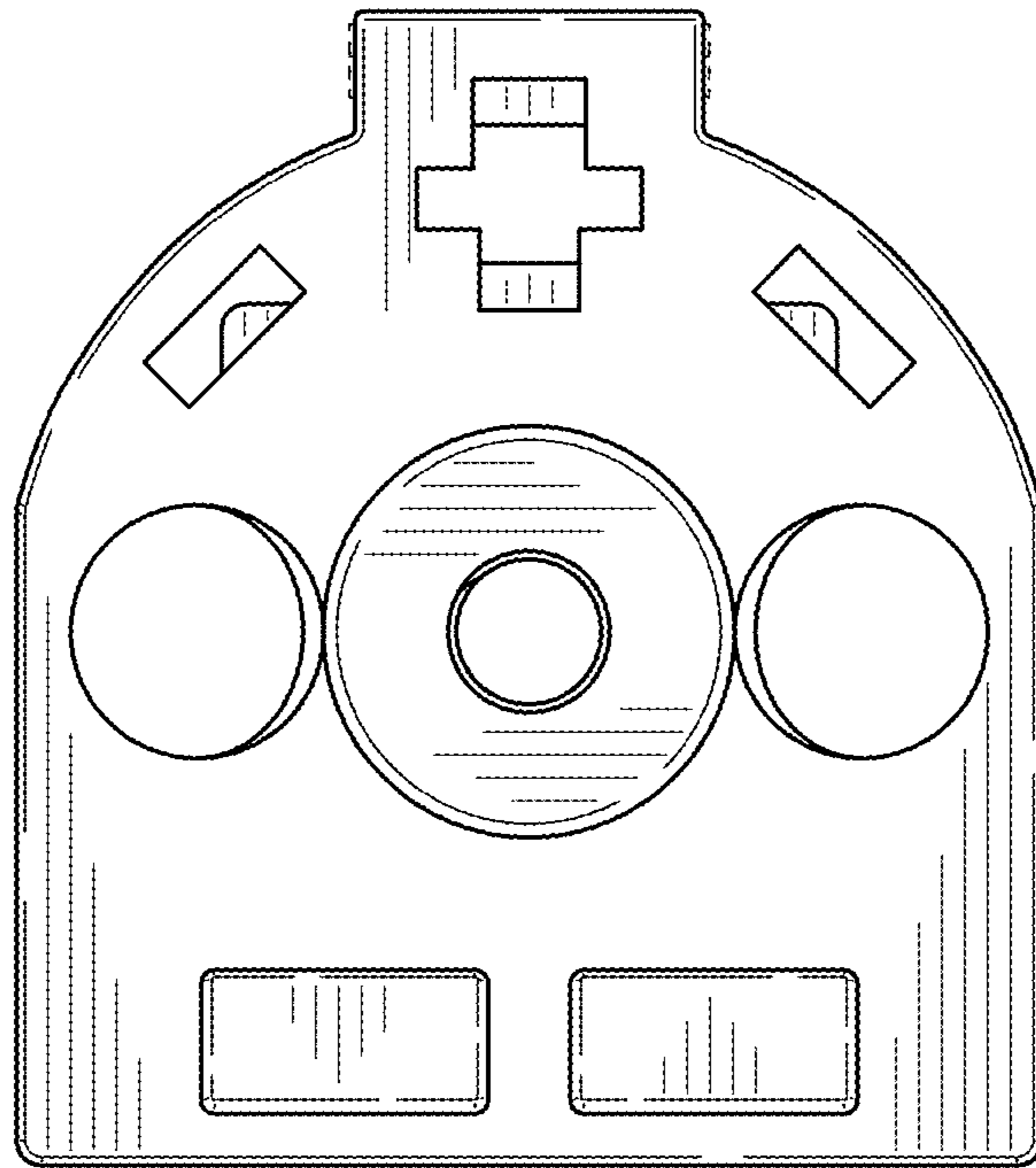


FIG. 11

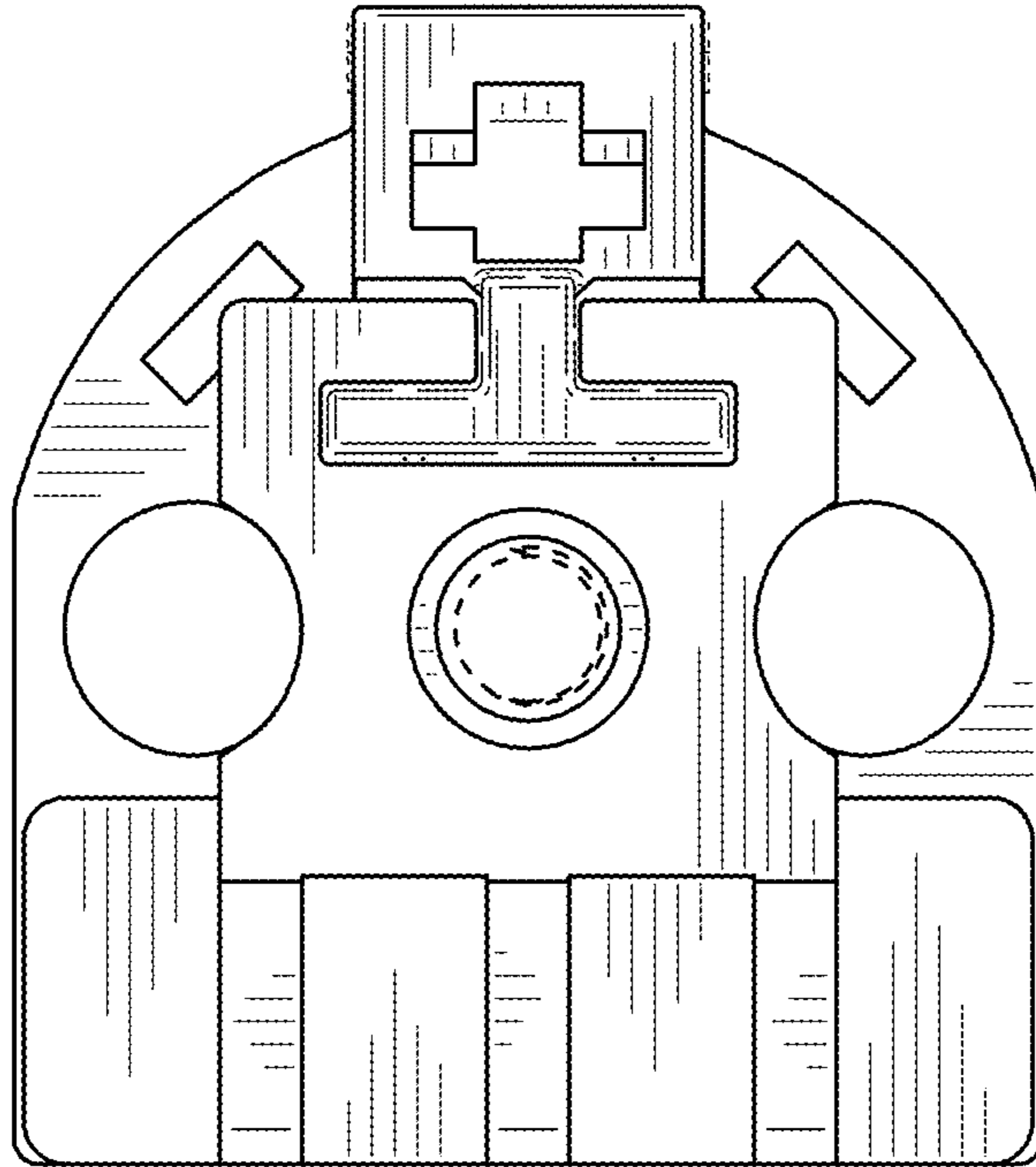


FIG. 12

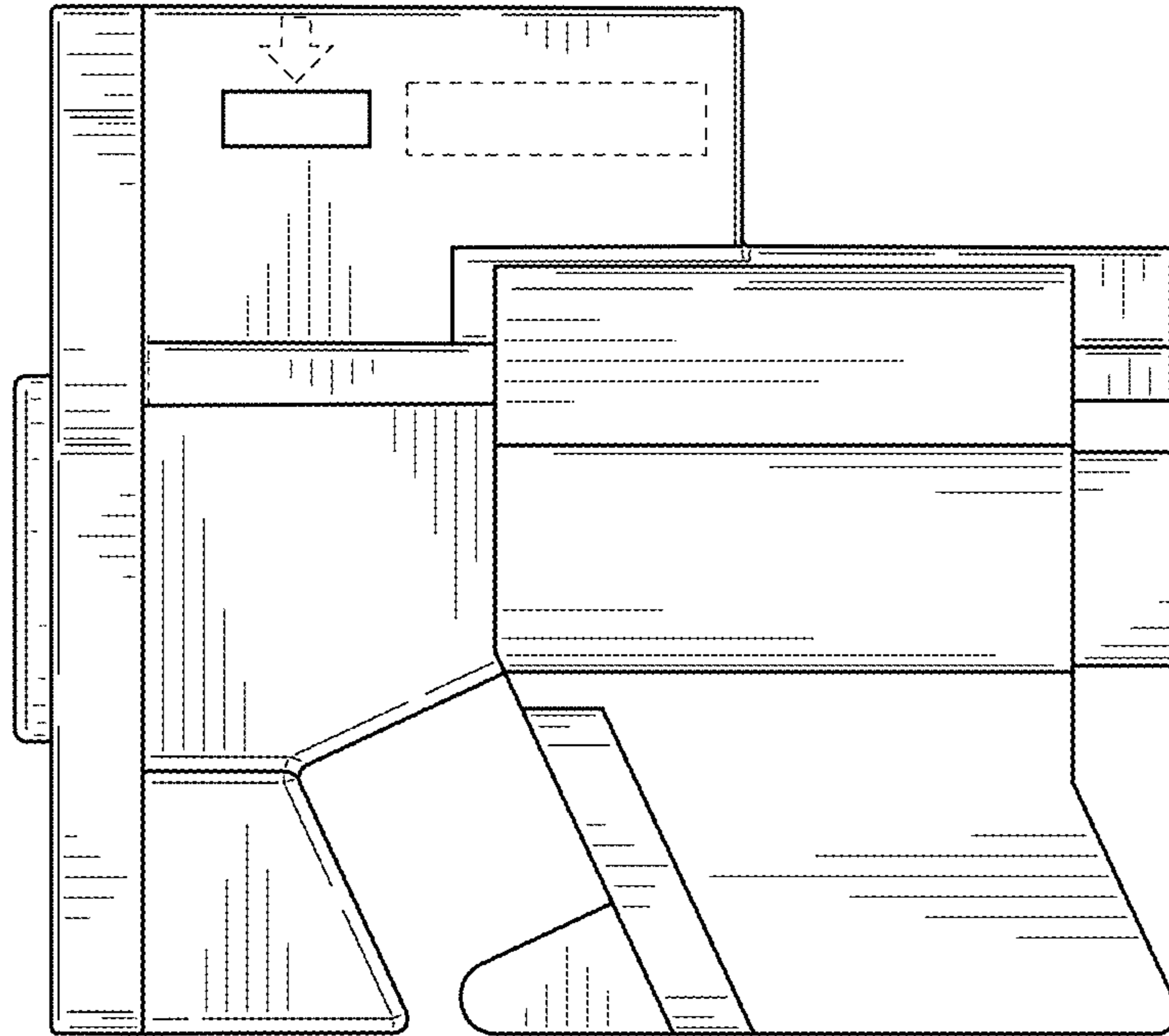


FIG. 13

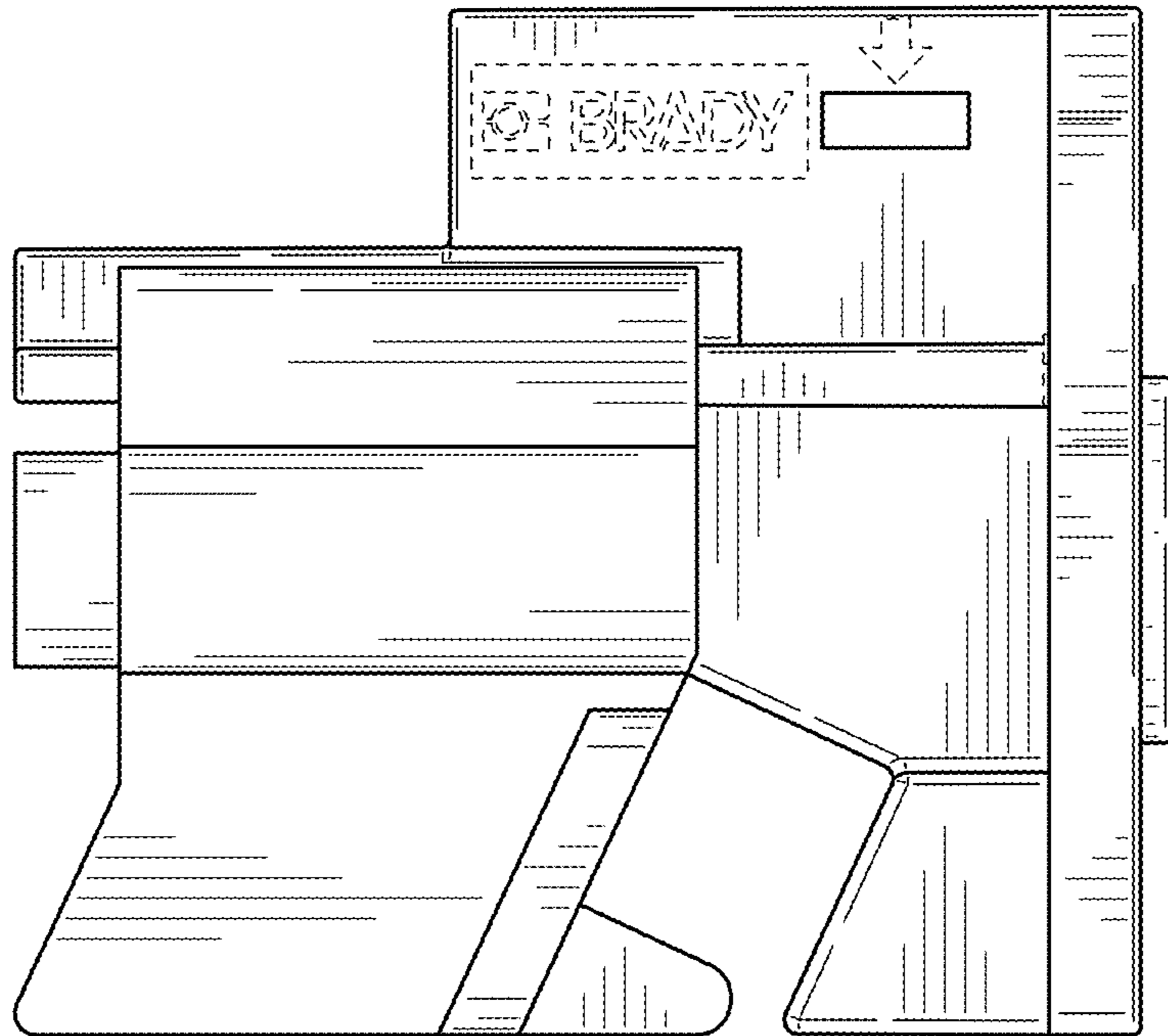


FIG. 14

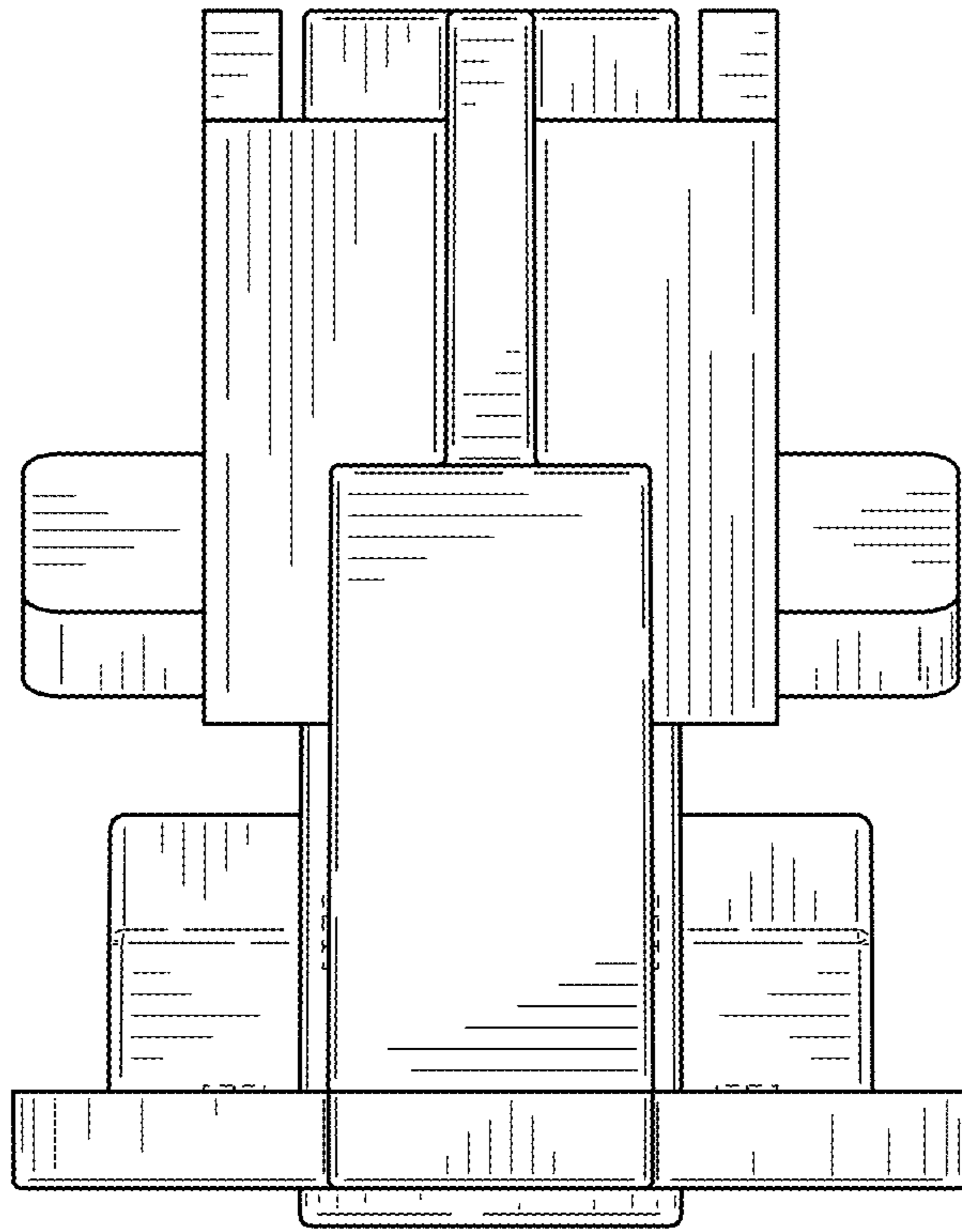


FIG. 15

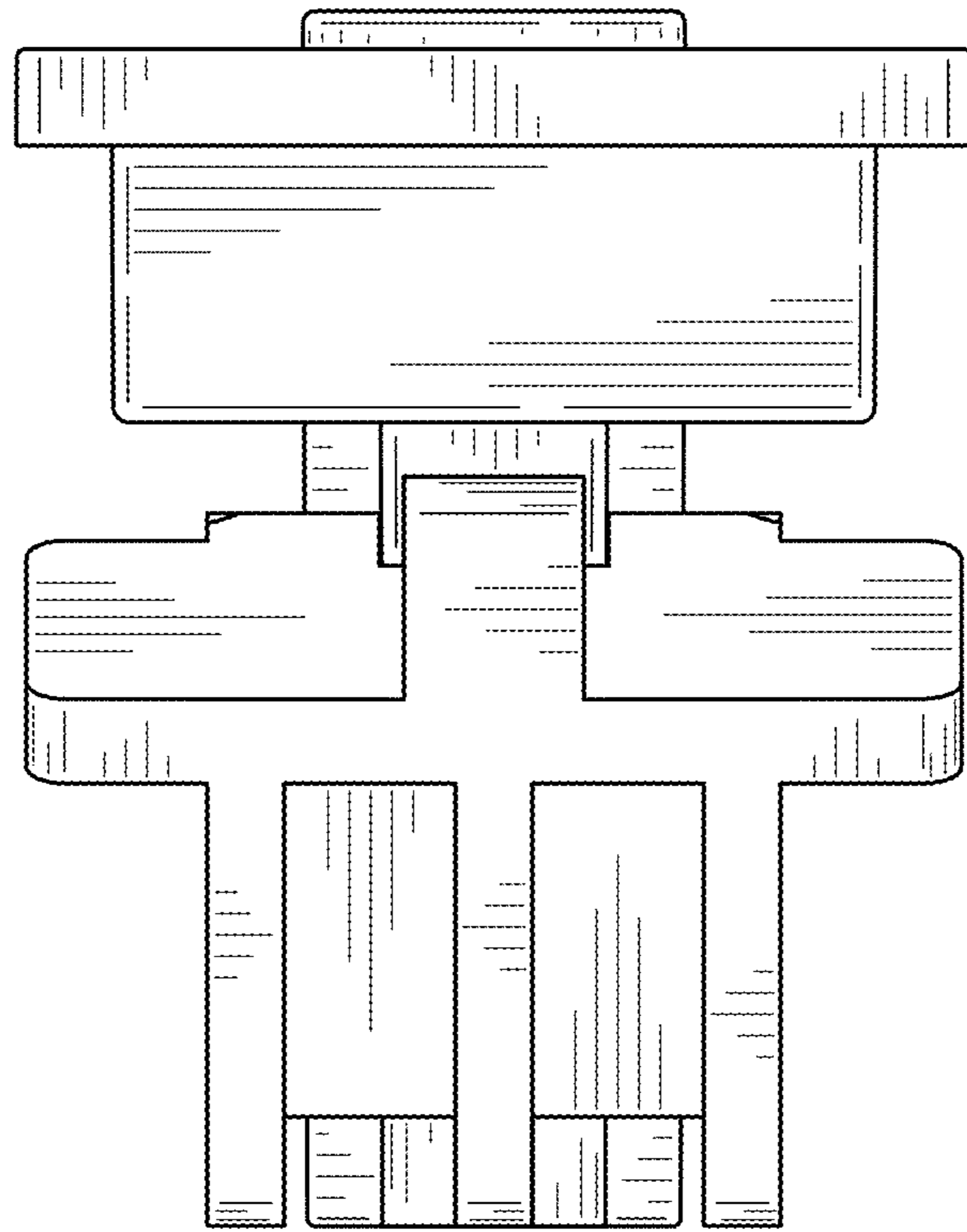


FIG. 16