



US00D808346S

(12) **United States Design Patent** (10) **Patent No.:** **US D808,346 S**  
**Benda et al.** (45) **Date of Patent:** **\*\* Jan. 23, 2018**

- (54) **BREAKER LOCKOUT**
- (71) Applicant: **Brady Worldwide, Inc.**, Milwaukee, WI (US)
- (72) Inventors: **Steven J. Benda**, Cokato, MN (US); **Nels E. Benda**, Hancock, MI (US); **Chad M. Benda**, Cokato, MN (US); **Katherine A. Cherney**, Glendale, WI (US); **Andrew N. Enger**, Muskego, WI (US)
- (73) Assignee: **Brady Worldwide, Inc.**, Milwaukee, WI (US)
- (\*\*) Term: **15 Years**
- (21) Appl. No.: **29/561,234**
- (22) Filed: **Apr. 14, 2016**
- (51) **LOC (11) Cl.** ..... **13-03**
- (52) **U.S. Cl.**  
USPC ..... **D13/178**
- (58) **Field of Classification Search**  
USPC ..... D13/173, 178; D8/330, 331  
CPC .... H01H 9/28282; H01H 9/283; H01H 9/285; E05B 65/00  
See application file for complete search history.

- 7,262,376 B2 \* 8/2007 Brojanac ..... H01H 9/283 200/43.14
- D564,337 S \* 3/2008 Brojanac ..... D13/178
- D564,859 S \* 3/2008 Brojanac ..... D13/178
- 7,371,980 B2 \* 5/2008 Marshall ..... H01H 9/283 200/43.11
- 8,629,359 B2 \* 1/2014 Hackett ..... H01H 9/283 200/43.14
- 8,748,759 B2 \* 6/2014 Howard ..... H01H 9/282 200/43.14
- 9,202,646 B2 \* 12/2015 Obenshain ..... H01H 9/20
- (Continued)

*Primary Examiner* — Selina Sikder  
 (74) *Attorney, Agent, or Firm* — Quarles & Brady LLP

(57) **CLAIM**

The ornamental design for a breaker lockout, as shown and described.

**DESCRIPTION**

FIG. 1 is an isometric view of a top, front, and left side of an ornamental design for a cover of a breaker lockout; FIG. 2 is an isometric view of a bottom, rear, and left side of the cover of FIG. 1; FIG. 3 is a front elevational view of the cover of FIG. 1; FIG. 4 is a rear elevational view of the cover of FIG. 1; FIG. 5 is a right side elevational view of the cover of FIG. 1; FIG. 6 is a left side elevational view of the cover of FIG. 1; FIG. 7 is a top plan elevational view of the cover of FIG. 1; and, FIG. 8 is a bottom plan elevational view of the cover of FIG. 1.

The dash-dash broken lines are included for the purpose of illustrating portions of the breaker lockout that form no part of the claimed design.

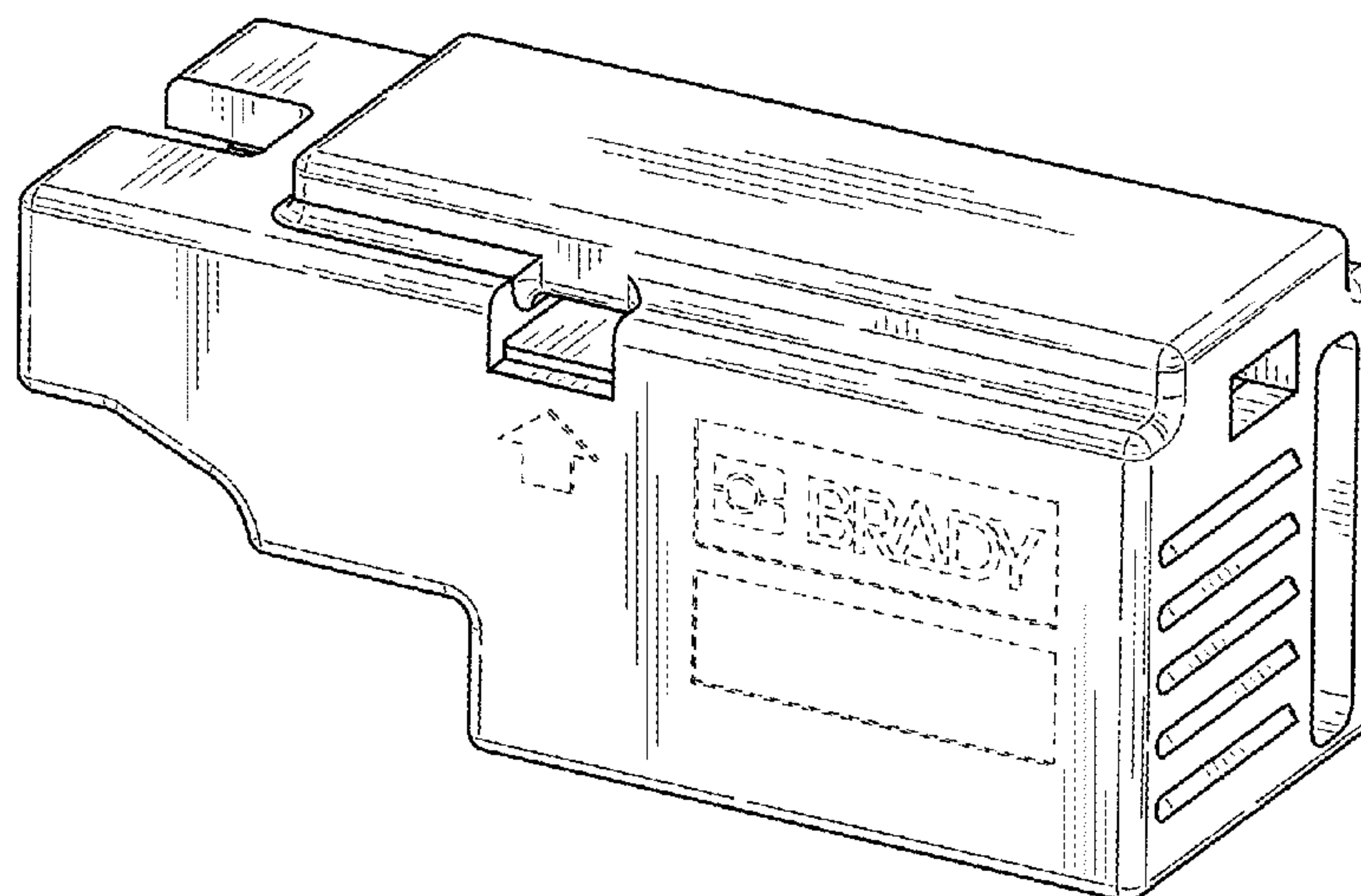
In a preferred embodiment, the nature of this product is as a locking device for isolating or limiting access to controls, such as switches or breakers.

**1 Claim, 8 Drawing Sheets**

(56) **References Cited**

U.S. PATENT DOCUMENTS

- |                |        |              |                      |
|----------------|--------|--------------|----------------------|
| 5,122,624 A    | 6/1992 | Benda        |                      |
| 5,300,740 A    | 4/1994 | Benda        |                      |
| 5,500,495 A    | 3/1996 | Benda et al. |                      |
| 6,617,532 B1 * | 9/2003 | Turek        | H01H 9/283 200/43.14 |
| 6,727,441 B2 * | 4/2004 | Benda        | H01H 9/283 200/43.11 |
| 6,791,040 B1 * | 9/2004 | Puhalla      | H01H 9/283 200/43.14 |
| D535,629 S *   | 1/2007 | Kalous       | D13/178              |



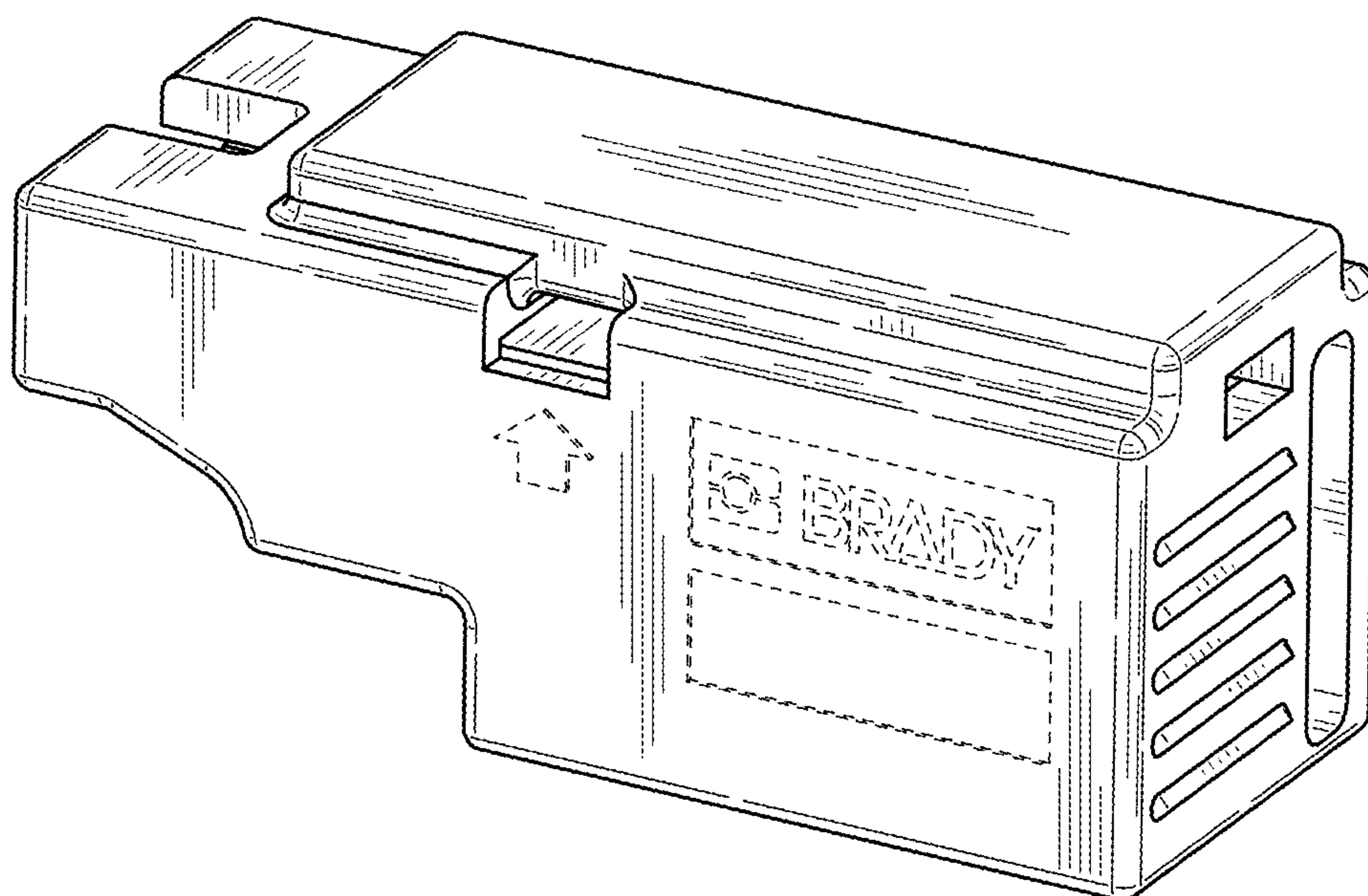
(56)

**References Cited**

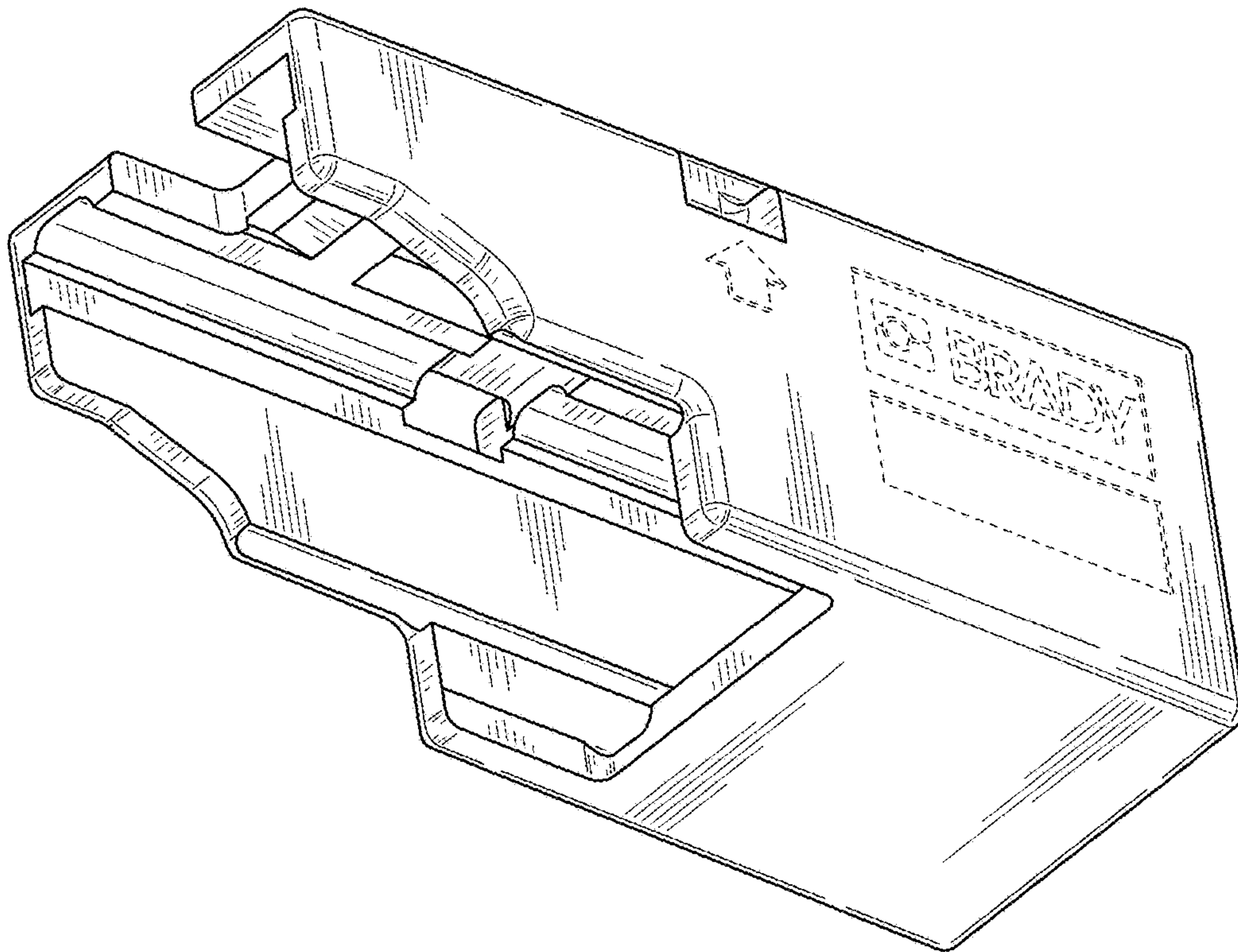
U.S. PATENT DOCUMENTS

9,208,964 B2 \* 12/2015 Dudgeon ..... H01H 9/283  
9,373,459 B1 \* 6/2016 Mininberg ..... E05B 13/002  
2004/0245077 A1 12/2004 Benda

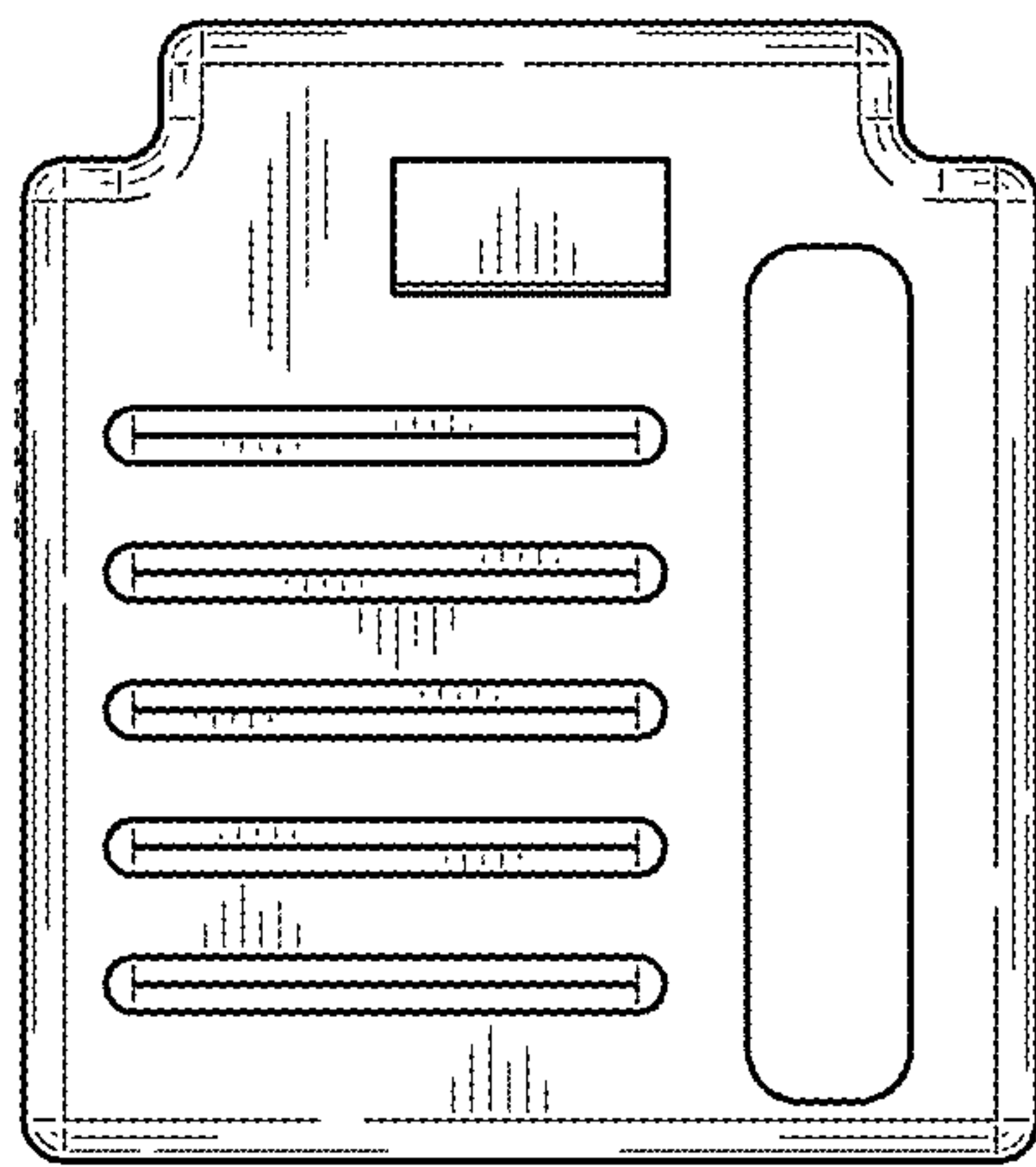
\* cited by examiner



**FIG. 1**

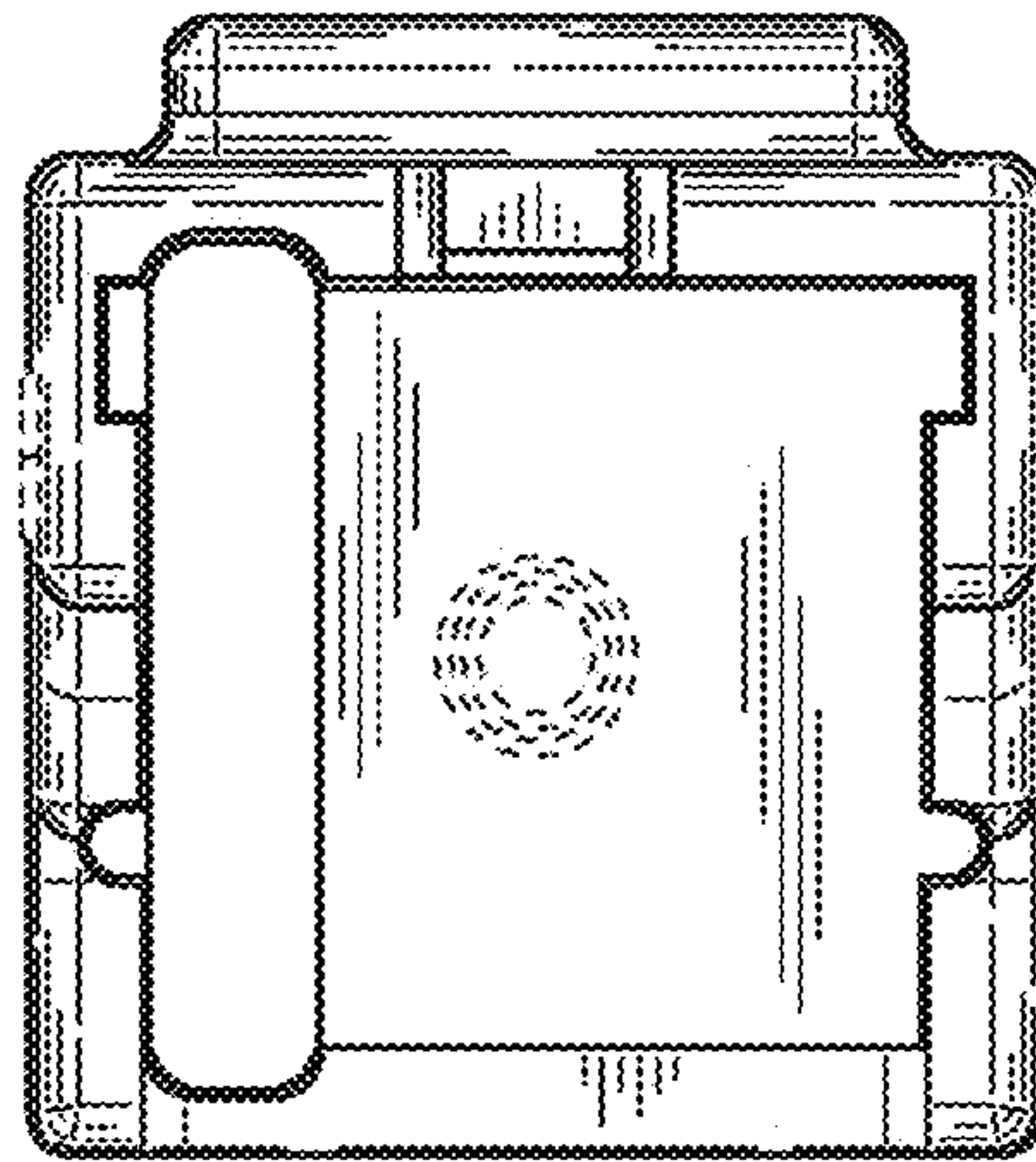


**FIG. 2**

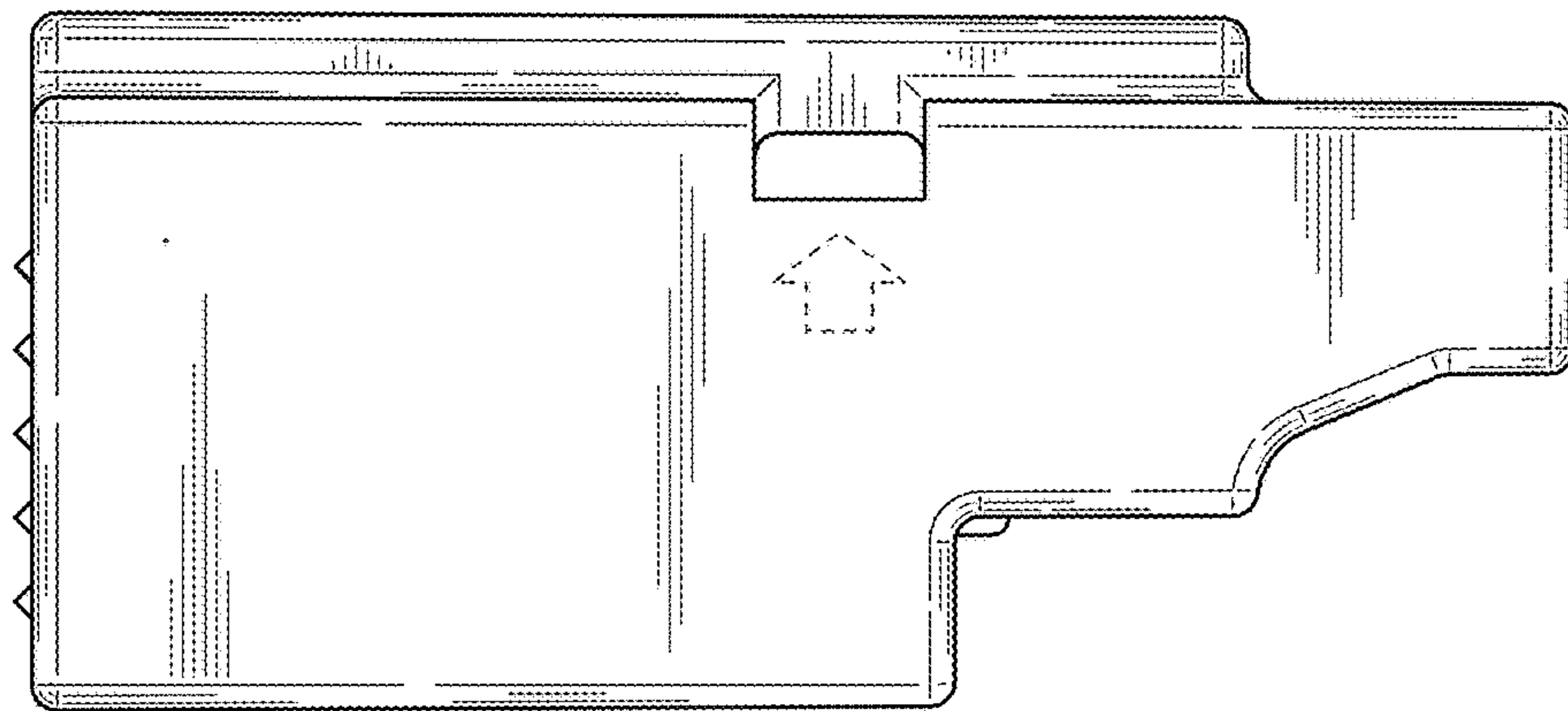


**FIG. 3**

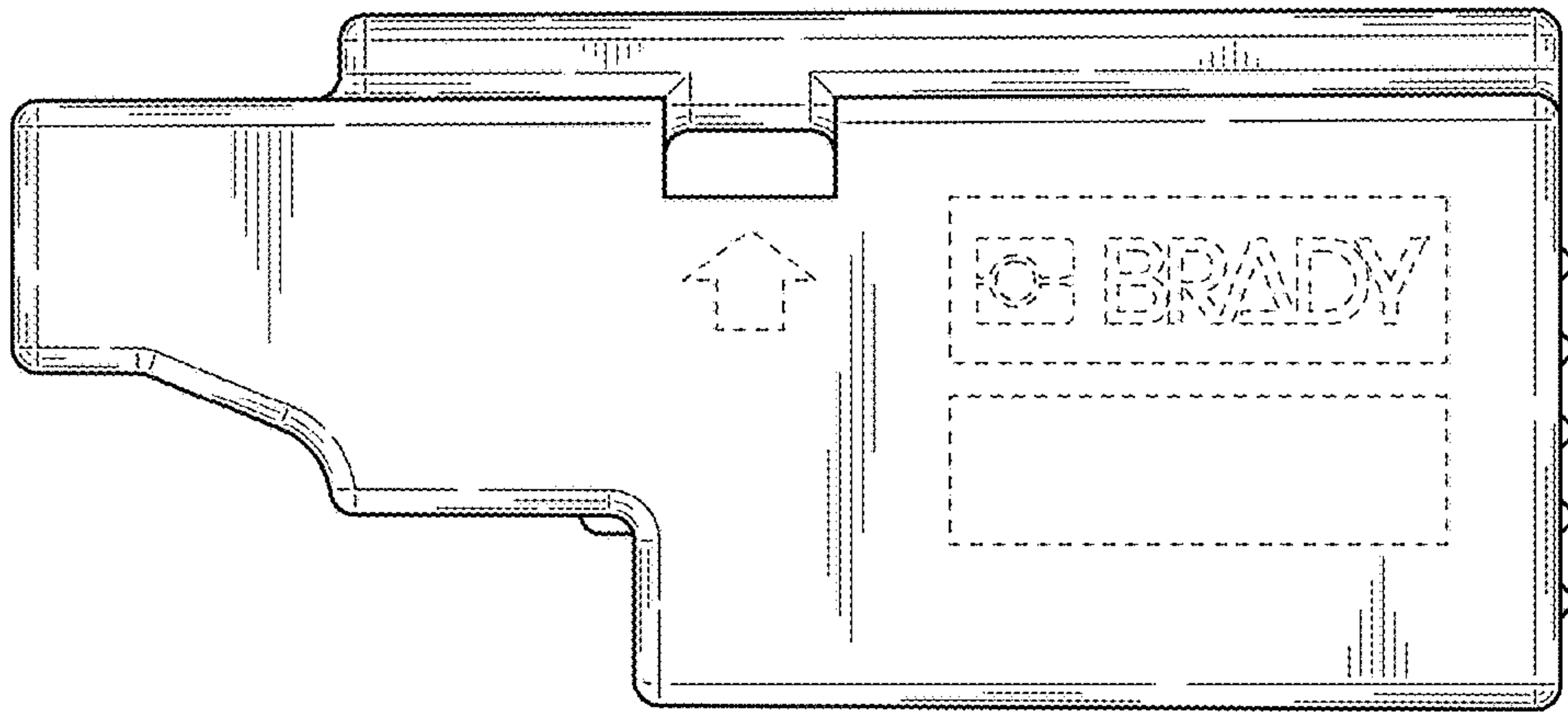




**FIG. 4**

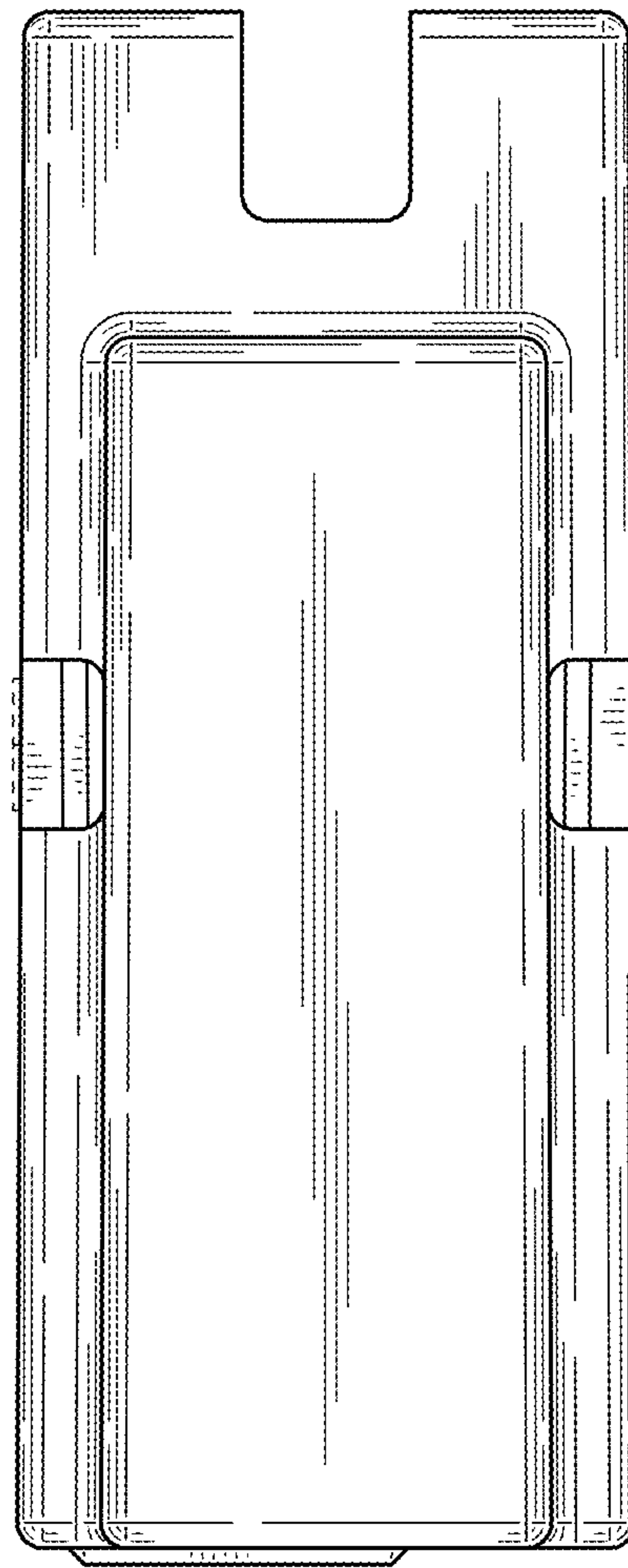


**FIG. 5**

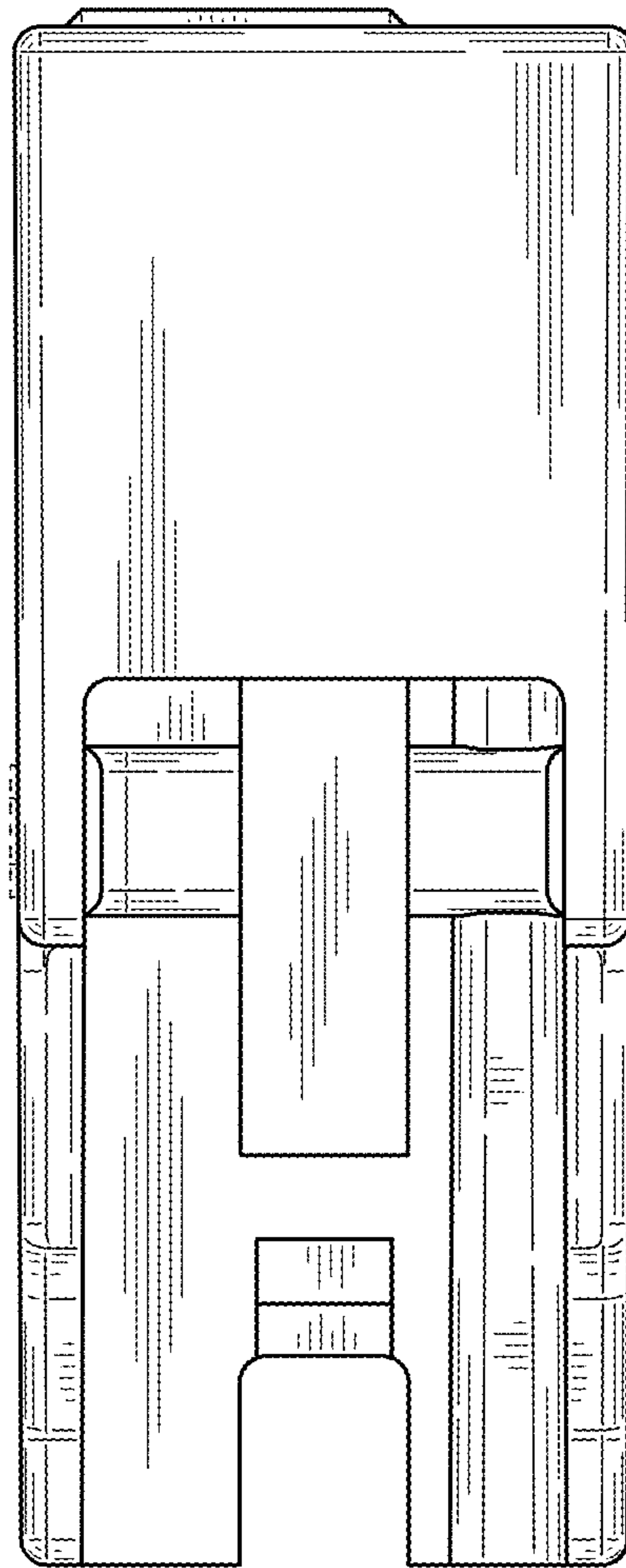


**FIG. 6**





**FIG. 7**



**FIG. 8**