



US00D808345S

(12) **United States Design Patent** (10) **Patent No.:** **US D808,345 S**
Benda et al. (45) **Date of Patent:** **** Jan. 23, 2018**

- (54) **BREAKER LOCKOUT**
- (71) Applicant: **Brady Worldwide, Inc.**, Milwaukee, WI (US)
- (72) Inventors: **Steven J. Benda**, Cokato, MN (US); **Nels E. Benda**, Hancock, MI (US); **Chad M. Benda**, Cokato, MN (US); **Katherine A. Cherney**, Glendale, WI (US); **Andrew N. Enger**, Muskego, WI (US)
- (73) Assignee: **Brady Worldwide, Inc.**, Milwaukee, WI (US)
- (**) Term: **15 Years**
- (21) Appl. No.: **29/561,200**
- (22) Filed: **Apr. 14, 2016**
- (51) **LOC (11) Cl.** **13-03**
- (52) **U.S. Cl.**
USPC **D13/178**
- (58) **Field of Classification Search**
USPC D13/173, 178; D8/394, 330, 331
CPC H01H 9/20; H01H 9/28; H01H 9/283;
H01H 9/28282; H01H 9/285; E05B 65/00
See application file for complete search history.

- (56) **References Cited**
- U.S. PATENT DOCUMENTS
- | | | | | |
|-----------|------|--------|--------------|-------------------------|
| 5,122,624 | A | 6/1992 | Benda | |
| 5,300,740 | A | 4/1994 | Benda | |
| 5,500,495 | A | 3/1996 | Benda et al. | |
| 6,617,532 | B1 * | 9/2003 | Turek | H01H 9/283
200/43.14 |
| 6,727,441 | B2 * | 4/2004 | Benda | H01H 9/283
200/43.11 |
| 6,791,040 | B1 * | 9/2004 | Puhalla | H01H 9/283
200/43.14 |
| D535,629 | S * | 1/2007 | Kalous | D13/178 |

- | | | | | |
|--------------|------|---------|-----------|-------------------------|
| 7,262,376 | B2 * | 8/2007 | Brojanac | H01H 9/283
200/43.14 |
| D564,337 | S * | 3/2008 | Brojanac | D13/178 |
| D564,859 | S * | 3/2008 | Brojanac | D13/178 |
| 7,371,980 | B2 * | 5/2008 | Marshall | H01H 9/283
200/43.11 |
| 8,629,359 | B2 * | 1/2014 | Hackett | H01H 9/283
200/43.14 |
| 8,748,759 | B2 * | 6/2014 | Howard | H01H 9/282
200/43.14 |
| 9,202,646 | B2 * | 12/2015 | Obenshain | H01H 9/20 |
| 9,208,964 | B2 * | 12/2015 | Dudgeon | H01H 9/283 |
| 9,373,459 | B1 * | 6/2016 | Mininberg | E05B 13/002 |
| 2004/0245077 | A1 | 12/2004 | Benda | |

* cited by examiner

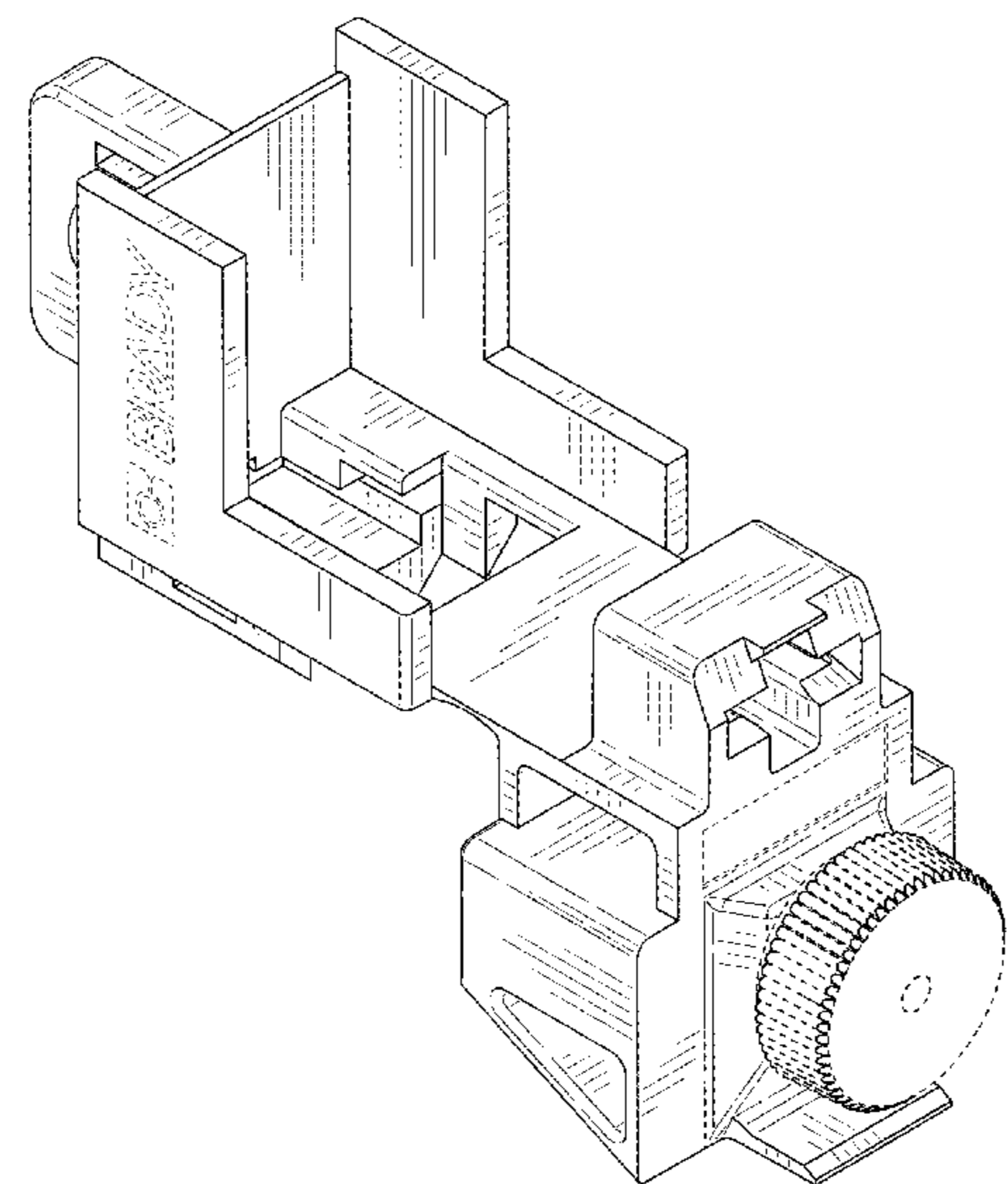
Primary Examiner — Selina Sikder
 (74) *Attorney, Agent, or Firm* — Quarles & Brady LLP

(57) **CLAIM**
 The ornamental design for a breaker lockout, as shown and described.

DESCRIPTION

FIG. 1 is an isometric view of a top, front, and left side of an ornamental design for a breaker lockout;
 FIG. 2 is a front elevational view of the breaker lockout of FIG. 1;
 FIG. 3 is a rear elevational view of the breaker lockout of FIG. 1;
 FIG. 4 is a right side elevational view of the breaker lockout of FIG. 1;
 FIG. 5 is a left side elevational view of the breaker lockout of FIG. 1;
 FIG. 6 is a top plan elevational view of the breaker lockout of FIG. 1; and,
 FIG. 7 is a bottom plan elevational view of the breaker lockout of FIG. 1.
 The dash-dash broken lines are included for the purpose of illustrating portions of the breaker lockout that form no part of the claimed design.

1 Claim, 7 Drawing Sheets



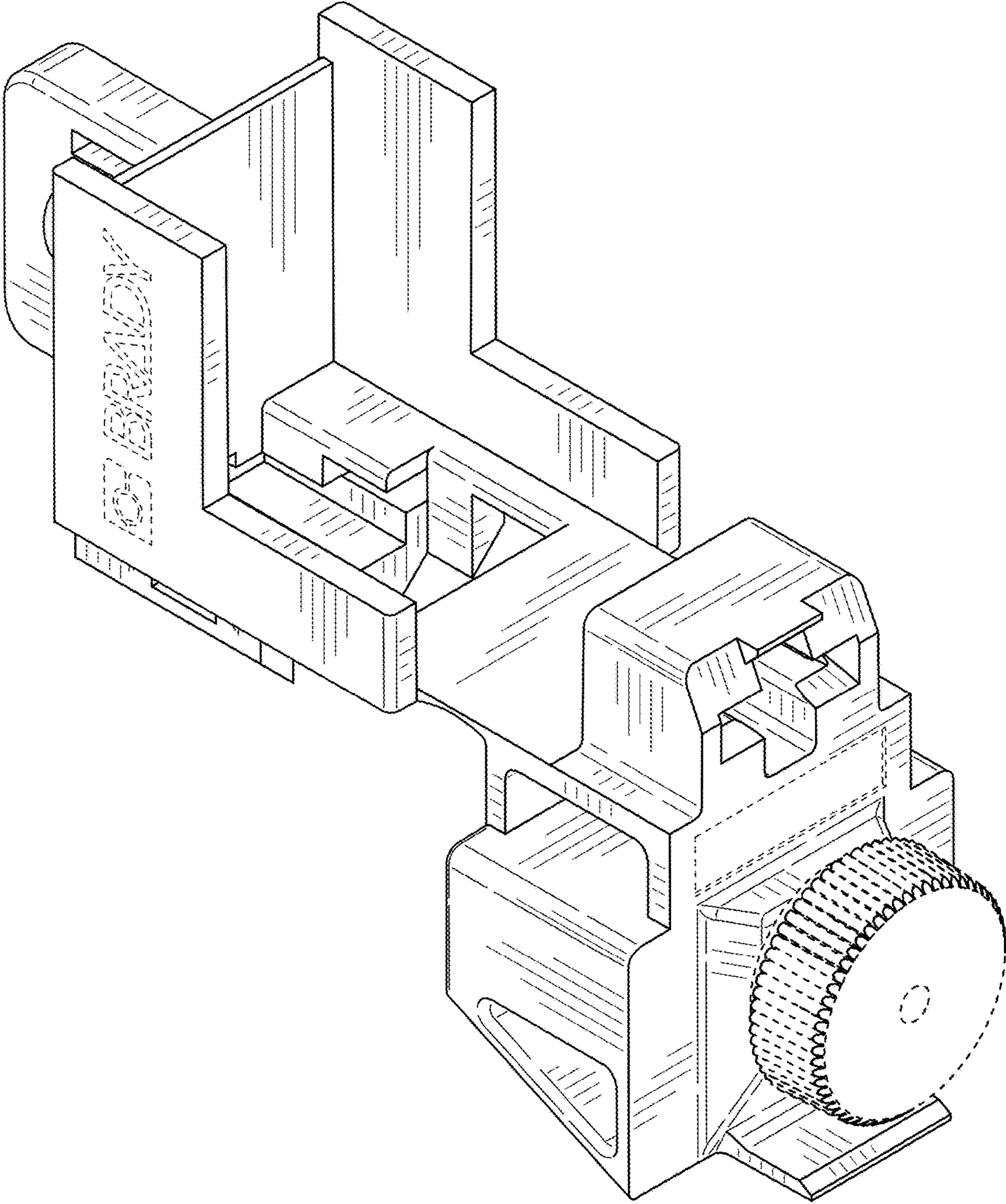


FIG. 1

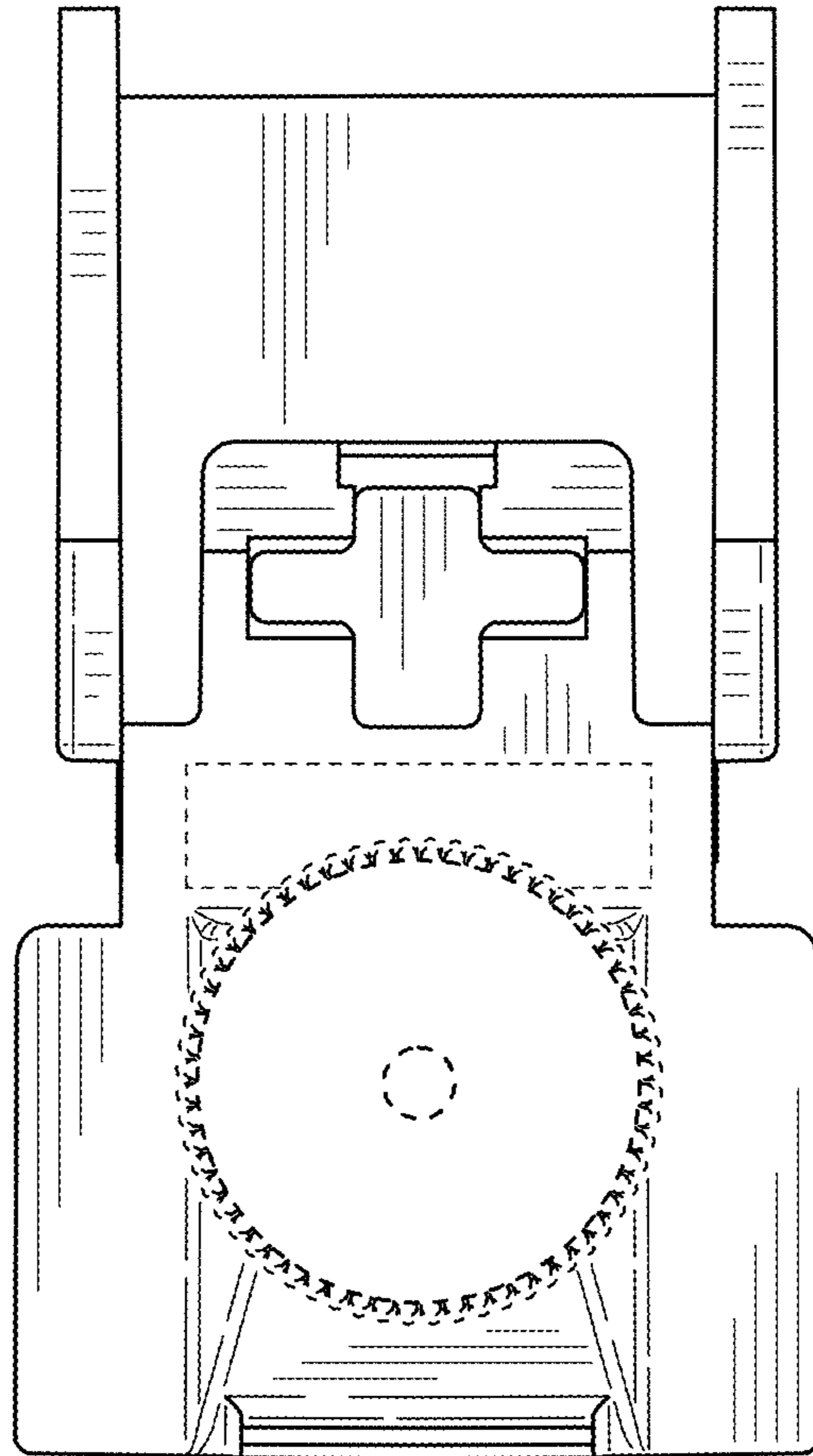


FIG. 2

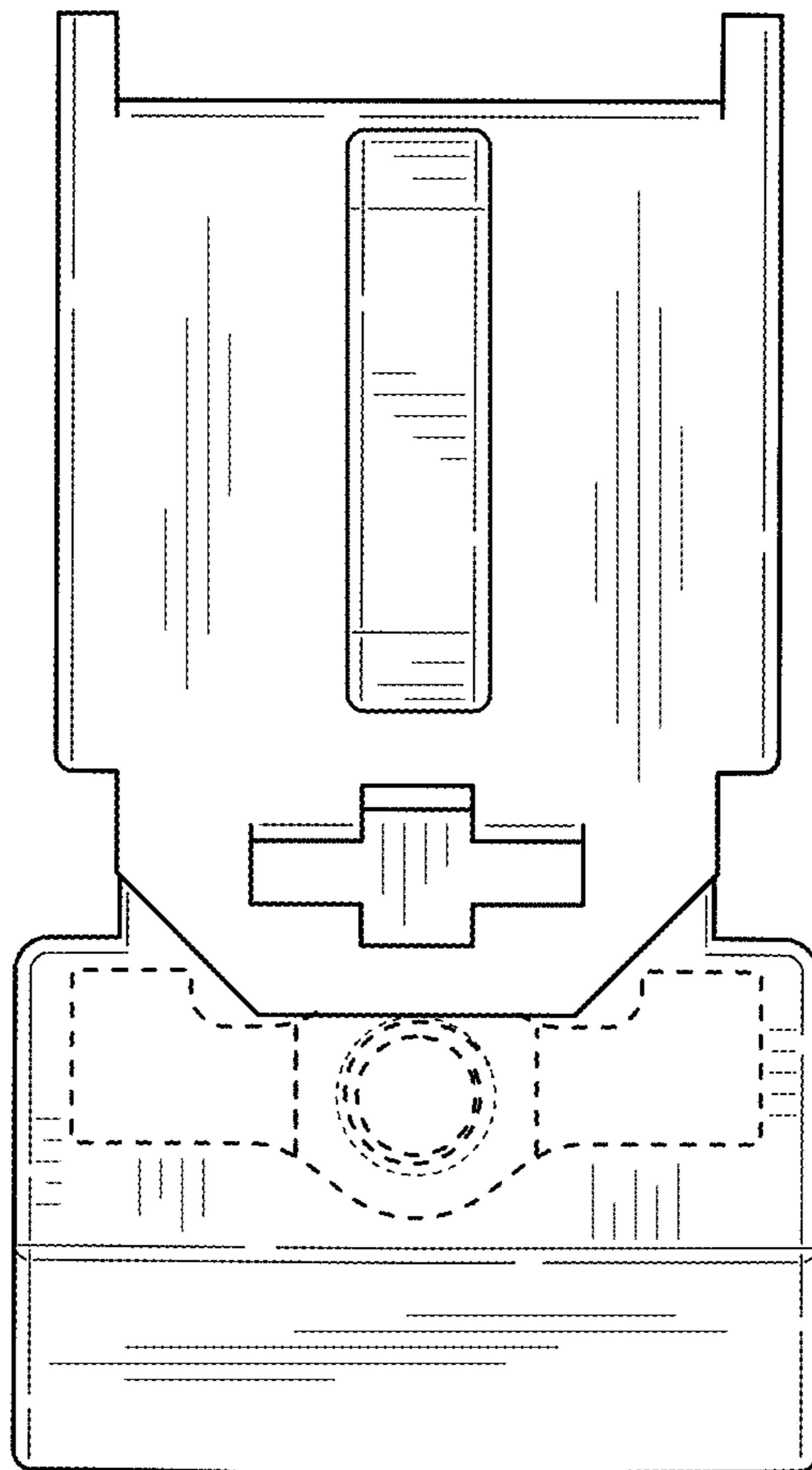


FIG. 3

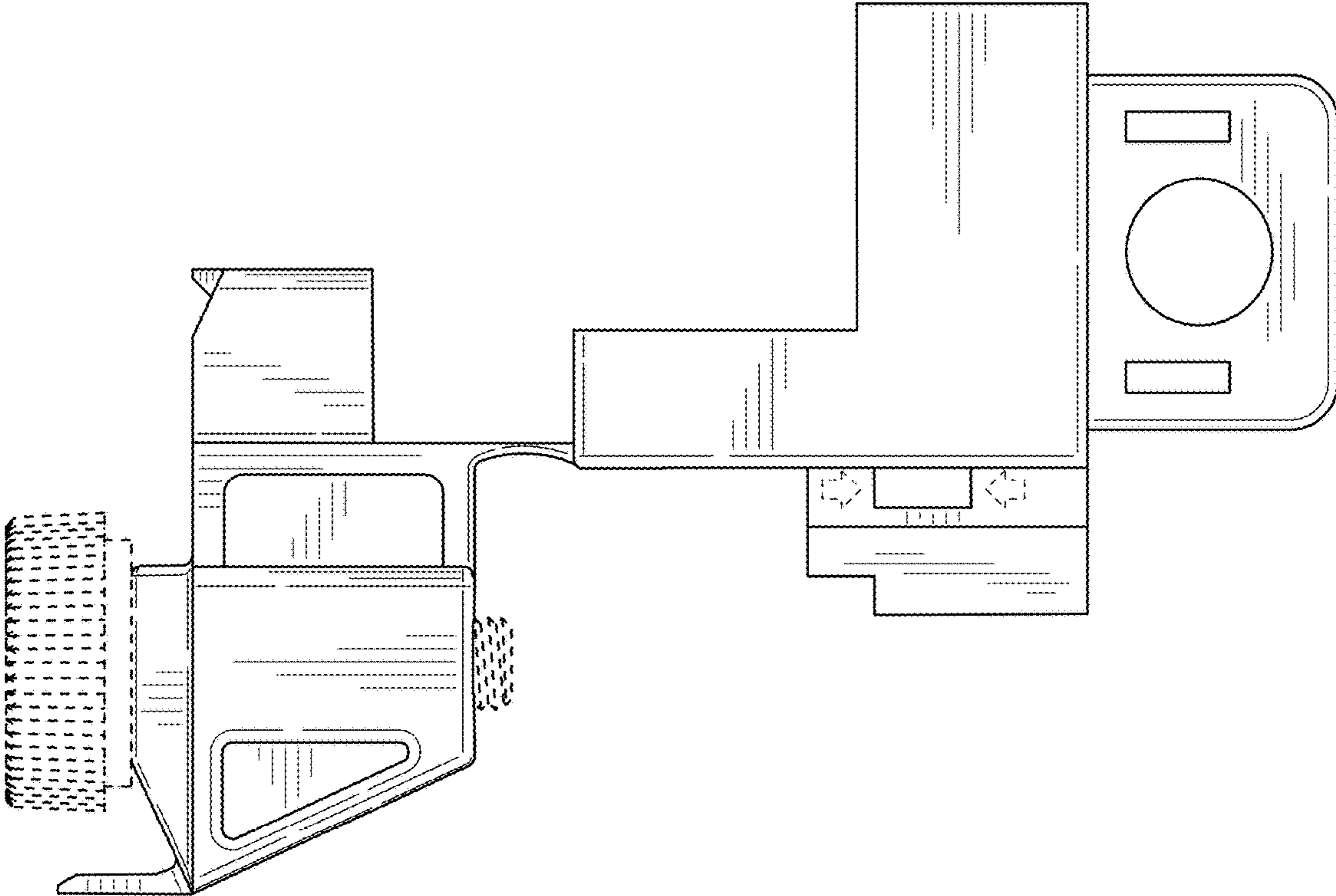


FIG. 4

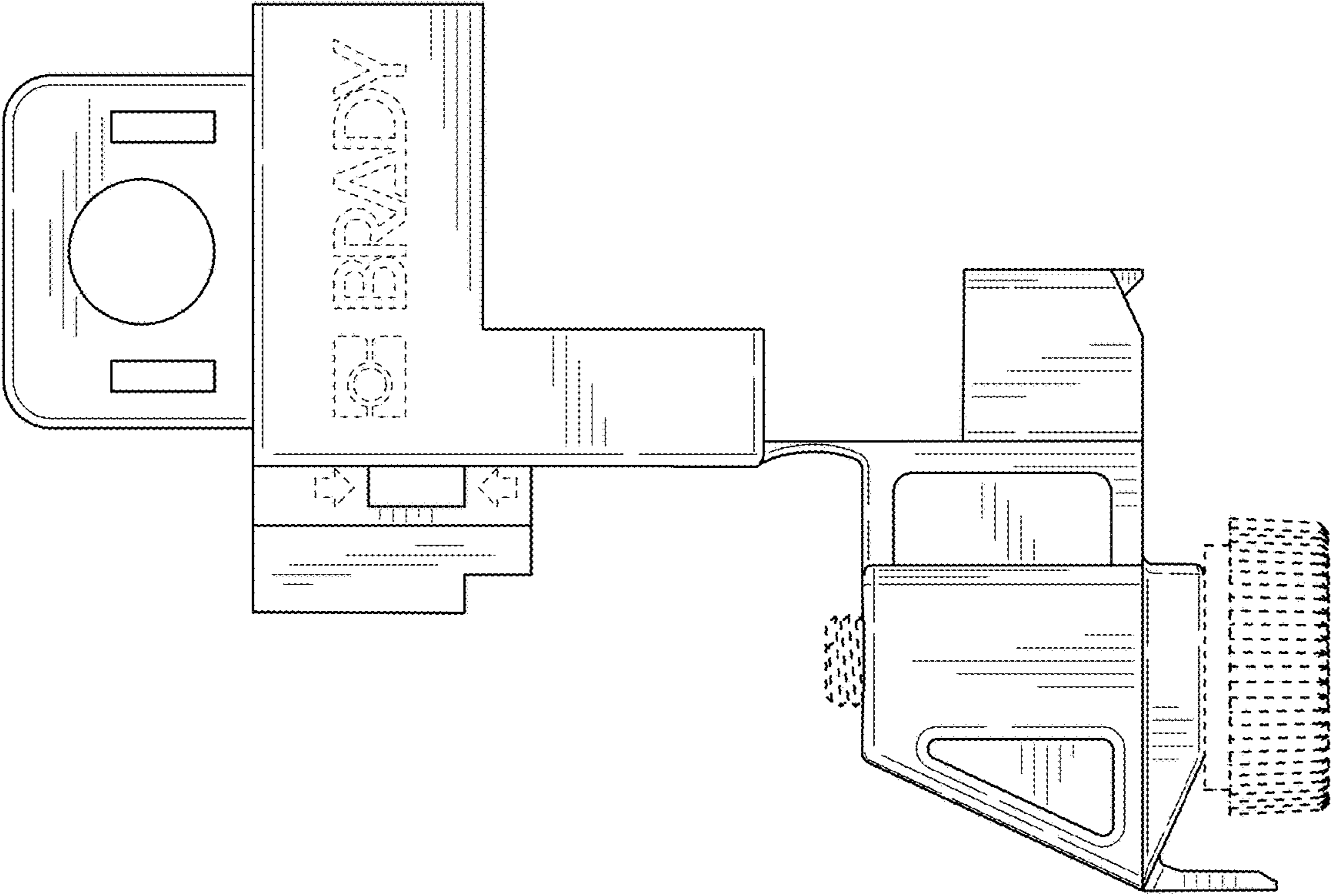


FIG. 5

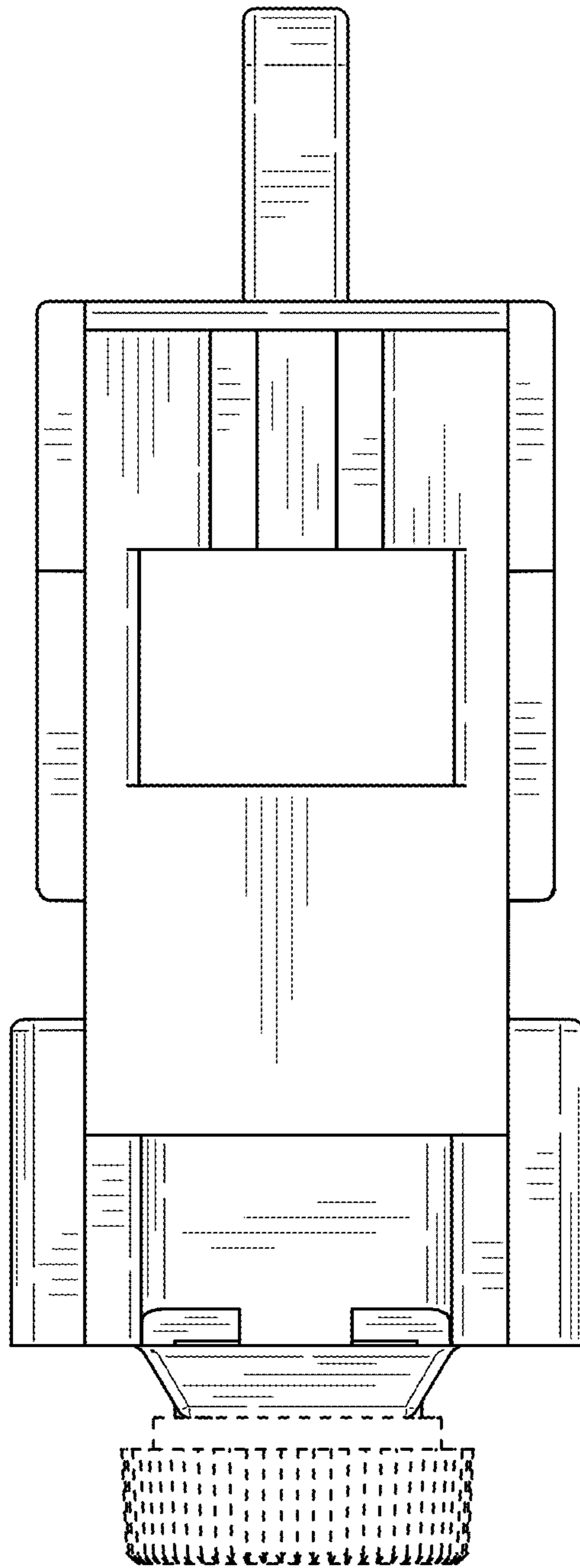


FIG. 6

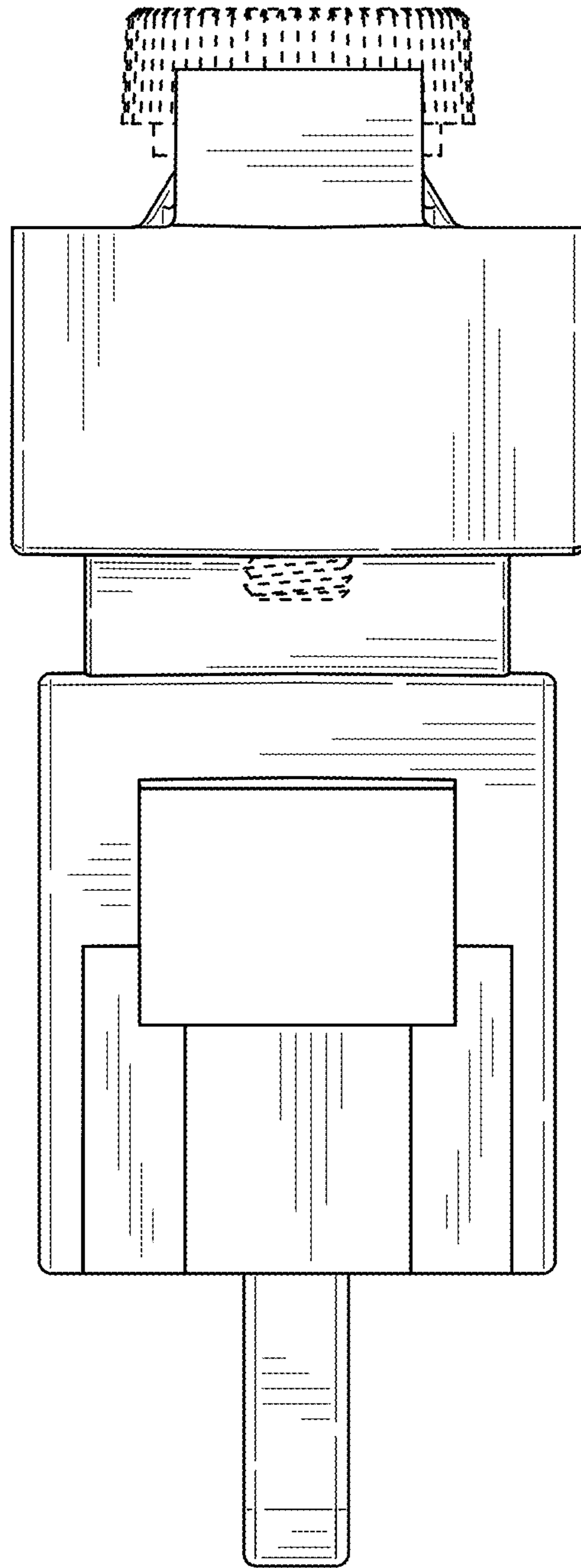


FIG. 7