



US00D808344S

(12) **United States Design Patent**  
**Hakkarainen et al.**

(10) **Patent No.:** **US D808,344 S**  
(45) **Date of Patent:** **\*\* Jan. 23, 2018**

- (54) **DIMMER SWITCH** 3,746,923 A \* 7/1973 Spira ..... H01C 10/50  
315/291
- (71) Applicant: **Lutron Electronics Co., Inc.,** D282,462 S \* 2/1986 Hart ..... D13/169  
Coopersburg, PA (US) 4,803,380 A \* 2/1989 Jacoby, Jr. .... H01H 9/02  
174/16.3
- (72) Inventors: **Susan Hakkarainen,** Doylestown, PA 4,816,626 A \* 3/1989 Valenzona ..... H01H 15/06  
(US); **Jason C. Killo,** Emmaus, PA 200/16 F  
(US); **Matthew Philip McDonald,** 4,880,950 A \* 11/1989 Carson ..... H01C 10/44  
Phoenixville, PA (US) 200/330
- (73) Assignee: **Lutron Electronics Co., Inc.,** 4,914,265 A \* 4/1990 Mongeau ..... H02G 3/14  
Coopersburg, PA (US) 174/67  
4,924,349 A \* 5/1990 Buehler ..... H02G 3/14  
174/55

(Continued)

(\*\*) Term: **15 Years**

(21) Appl. No.: **29/557,523**

(22) Filed: **Mar. 9, 2016**

(51) **LOC (11) Cl.** ..... **13-03**

(52) **U.S. Cl.**  
USPC ..... **D13/170**

(58) **Field of Classification Search**

USPC ..... D13/162, 169, 170, 173, 174; 174/66

CPC ..... H01C 10/38; H01H 9/02; H01H 9/0271;

H01H 9/16; H01H 9/18; H01H 9/161;

H01H 9/181; H01H 9/182; H01H 13/04;

H01H 13/14; H01H 13/20; H01H 13/30;

H01H 19/635; H01H 23/00; H01H 23/02;

H01H 23/025; H01H 23/04; H01H

23/145; H01H 23/148; H01H 23/205;

H01H 23/30; H01H 15/02; H01H 15/04;

H01H 15/06; H01H 15/10; H05B 37/02;

H05B 37/0254; H05B 37/0272; H05B

39/02; H05B 39/04; H05B 39/085; H05B

39/086; H05B 39/088

See application file for complete search history.

(56) **References Cited**

**U.S. PATENT DOCUMENTS**

3,362,004 A \* 1/1968 Bang ..... H01C 1/14  
338/183

D227,577 S \* 7/1973 Mayo ..... D13/170

**OTHER PUBLICATIONS**

Cooper Wiring Devices, Lighting Controls Line Card, 2007, 4 pages.

(Continued)

*Primary Examiner* — Selina Sikder

(74) *Attorney, Agent, or Firm* — Saidman DeisgnLaw Group, LLC

(57) **CLAIM**

The ornamental design for a dimmer switch, as shown and described.

**DESCRIPTION**

FIG. 1 is a front perspective view of a dimmer switch showing our new design;

FIG. 2 is a front view thereof;

FIG. 3 is a left side view thereof;

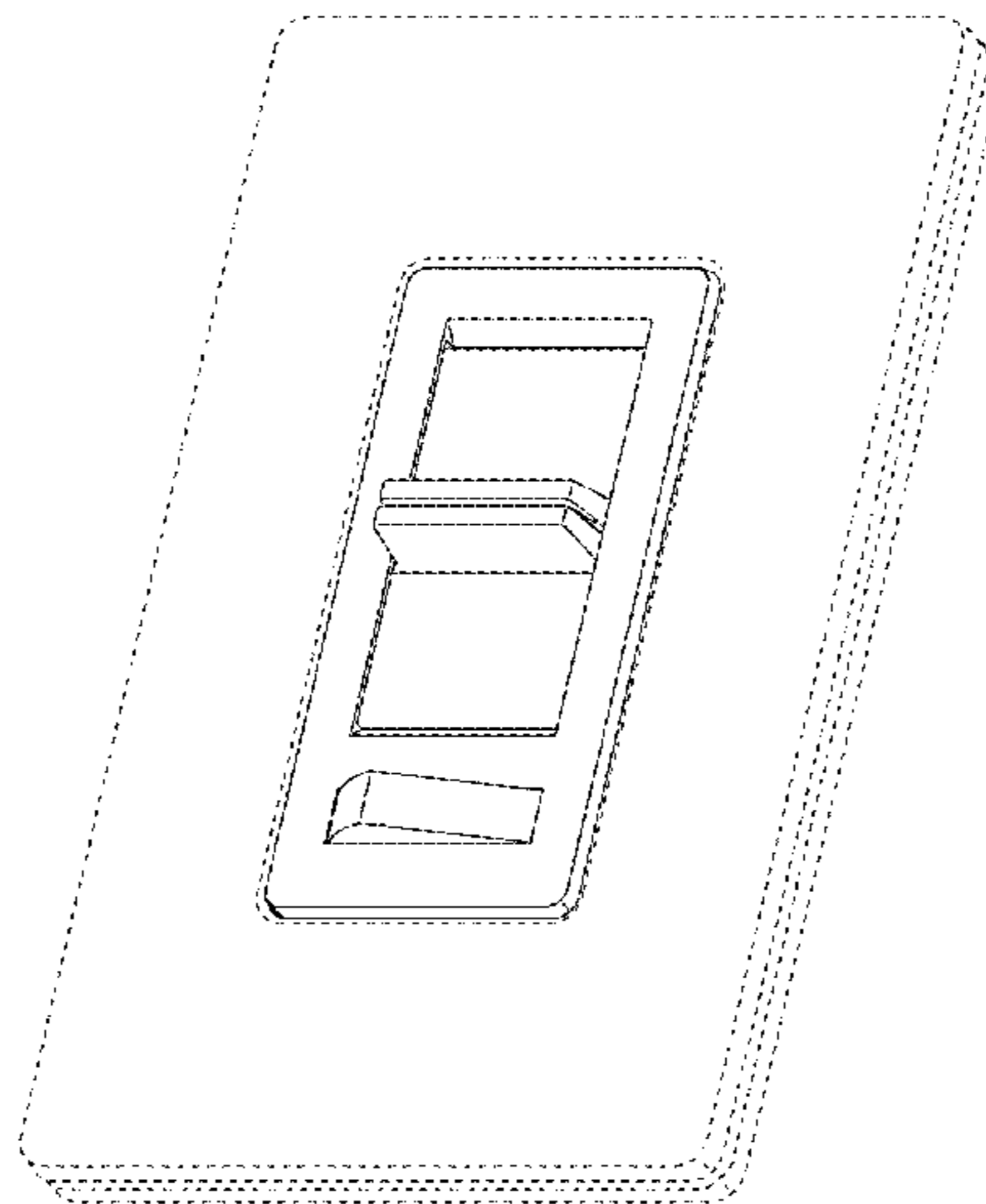
FIG. 4 is a right side view thereof;

FIG. 5 is a top view thereof; and,

FIG. 6 is a bottom view thereof.

The dashed broken lines represent structure or features which form no part of the claimed design; the broken lines themselves form no part of the claimed design.

**1 Claim, 2 Drawing Sheets**



(56)

References Cited

U.S. PATENT DOCUMENTS

4,939,383 A \* 7/1990 Tucker ..... H01C 10/38  
200/335  
4,947,054 A \* 8/1990 Flowers ..... H01H 3/0213  
200/547  
4,972,045 A \* 11/1990 Primeau ..... H01H 23/148  
174/66  
D316,250 S \* 4/1991 Mongeau ..... D13/170  
D335,282 S 5/1993 Jurell et al.  
D339,326 S \* 9/1993 Mayo ..... D13/170  
5,924,552 A \* 7/1999 Yu ..... H01H 9/02  
200/293  
D457,145 S \* 5/2002 Pagano ..... D13/169  
D539,235 S 3/2007 Mayo et al.  
D541,222 S 4/2007 Mayo et al.  
7,416,310 B1 \* 8/2008 Savicki, Jr. .... H01H 3/0213  
200/317  
D597,495 S 8/2009 Samuels et al.  
D597,496 S 8/2009 Samuels et al.  
7,579,566 B2 \* 8/2009 Sloan ..... H01C 10/30  
200/302.1  
D600,656 S \* 9/2009 Altonen ..... D13/170  
D616,838 S \* 6/2010 Samuels ..... D13/170  
D630,594 S 1/2011 Samuels et al.  
D630,595 S 1/2011 Samuels et al.

D645,828 S \* 9/2011 Su ..... D13/174  
2007/0272535 A1 \* 11/2007 Sloan ..... H01C 10/30  
200/500  
2009/0211889 A1 \* 8/2009 Ito ..... G05G 1/025  
200/335  
2016/0233785 A1 \* 8/2016 Newman, Jr. .... H02M 1/081

OTHER PUBLICATIONS

Cooper Wiring Devices, Full Slide Decorator Dimmers & Fan Speed Controls, 2007, 2 pages.  
Cooper Wiring Devices, Decorator Slide Dimmers & Fan Speed Controls, 2007, 2 pages.  
Leviton, Lighting and Fan Speed Controls Product Guide, 2006, 16 pages.  
Leviton, The Largest Selection of Wiring Devices for Construction and Maintenance, 2003, 6 pages.  
Lutron Electronics Co., Inc., Lumea C-L Dimmer Specification Submittal, Dec. 12, 2012, 5 pages.  
U.S. Appl. No. 29/557,519, filed Mar. 9, 2016 (unpublished).  
U.S. Appl. No. 29/557,520, filed Mar. 9, 2016 (unpublished).  
U.S. Appl. No. 29/557,521, filed Mar. 9, 2016 (unpublished).  
U.S. Appl. No. 29/557,522, filed Mar. 9, 2016 (unpublished).  
U.S. Appl. No. 29/557,527, filed Mar. 9, 2016 (unpublished).  
U.S. Appl. No. 29/557,528, filed Mar. 9, 2016 (unpublished).

\* cited by examiner

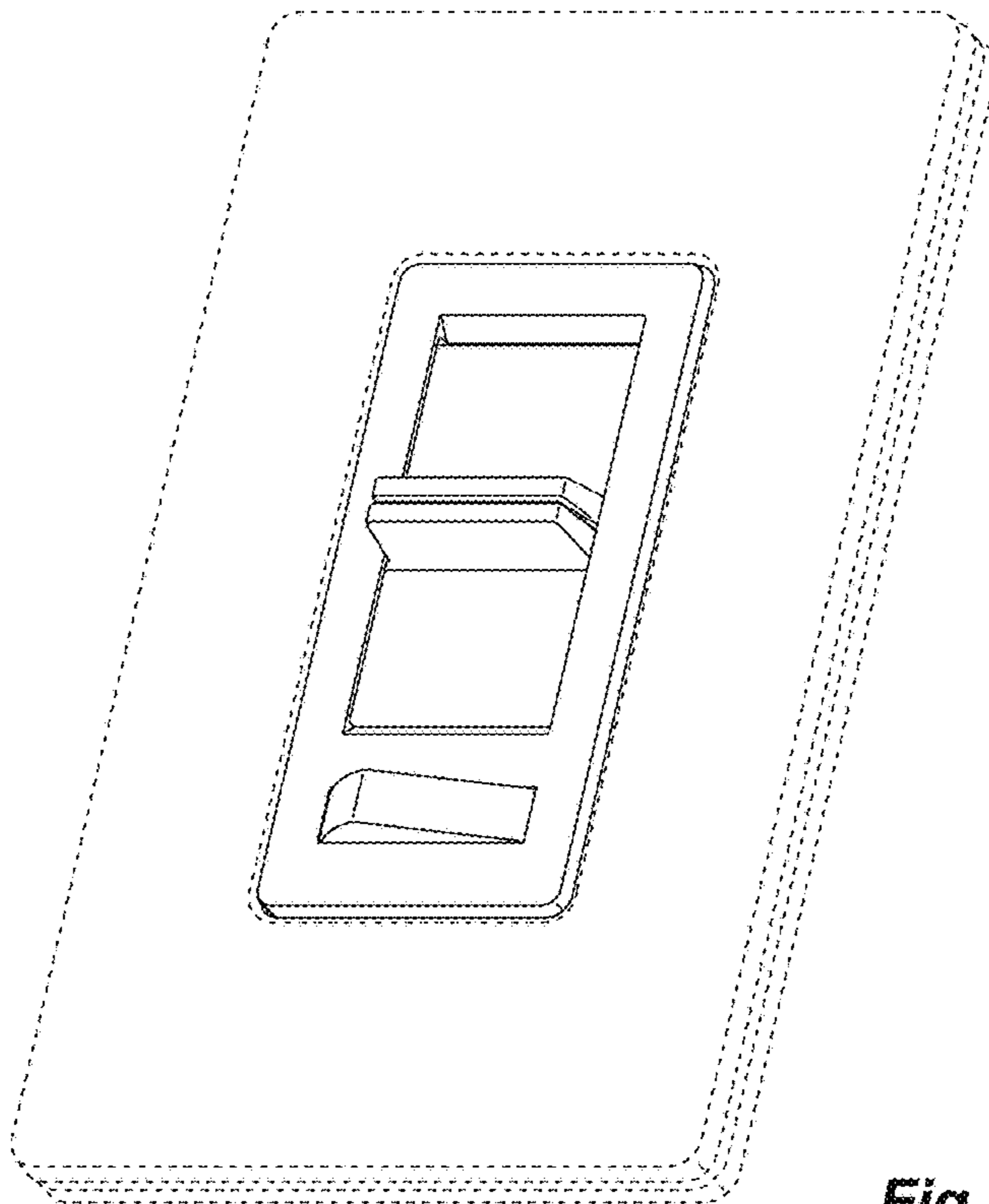


Fig. 1

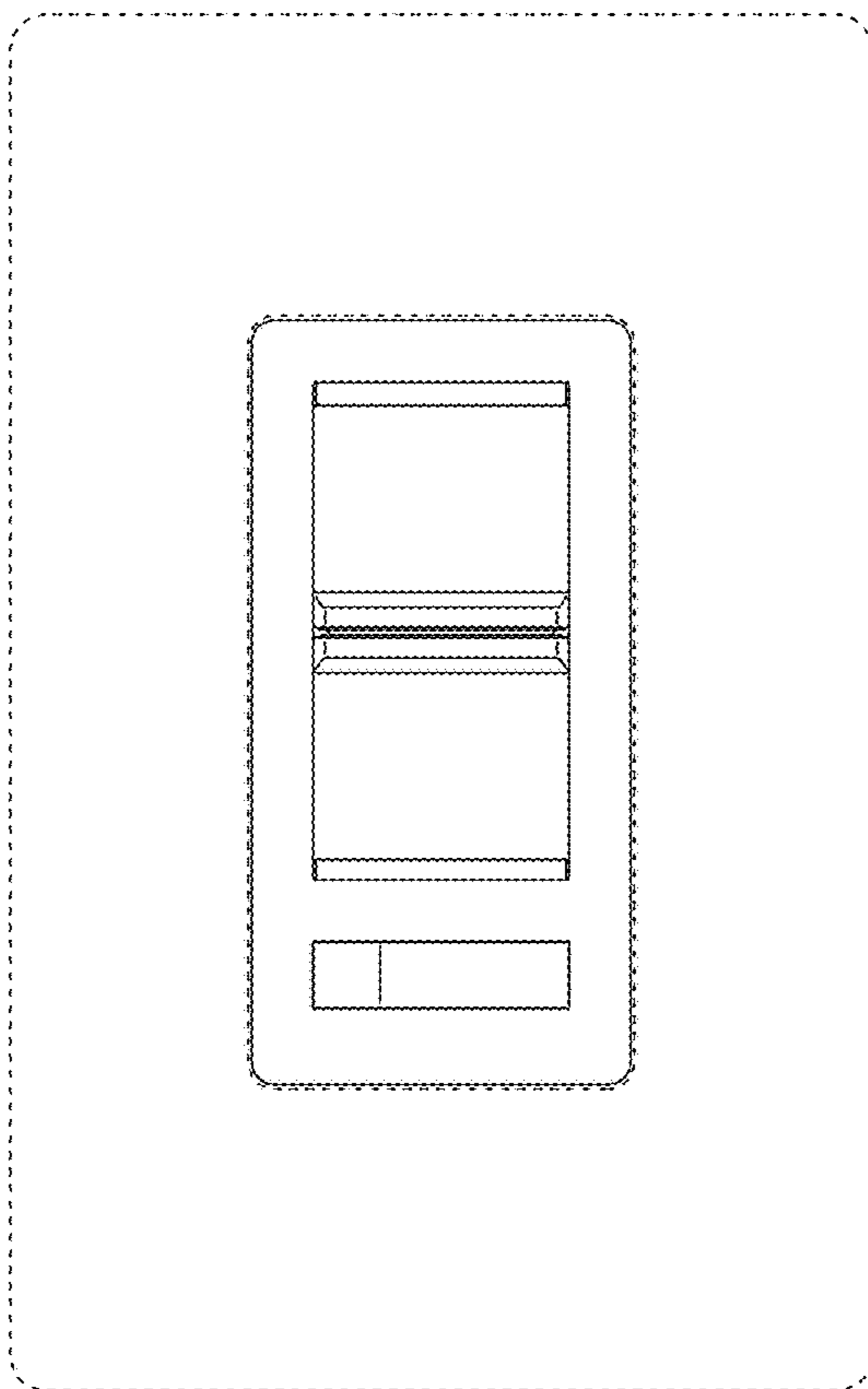
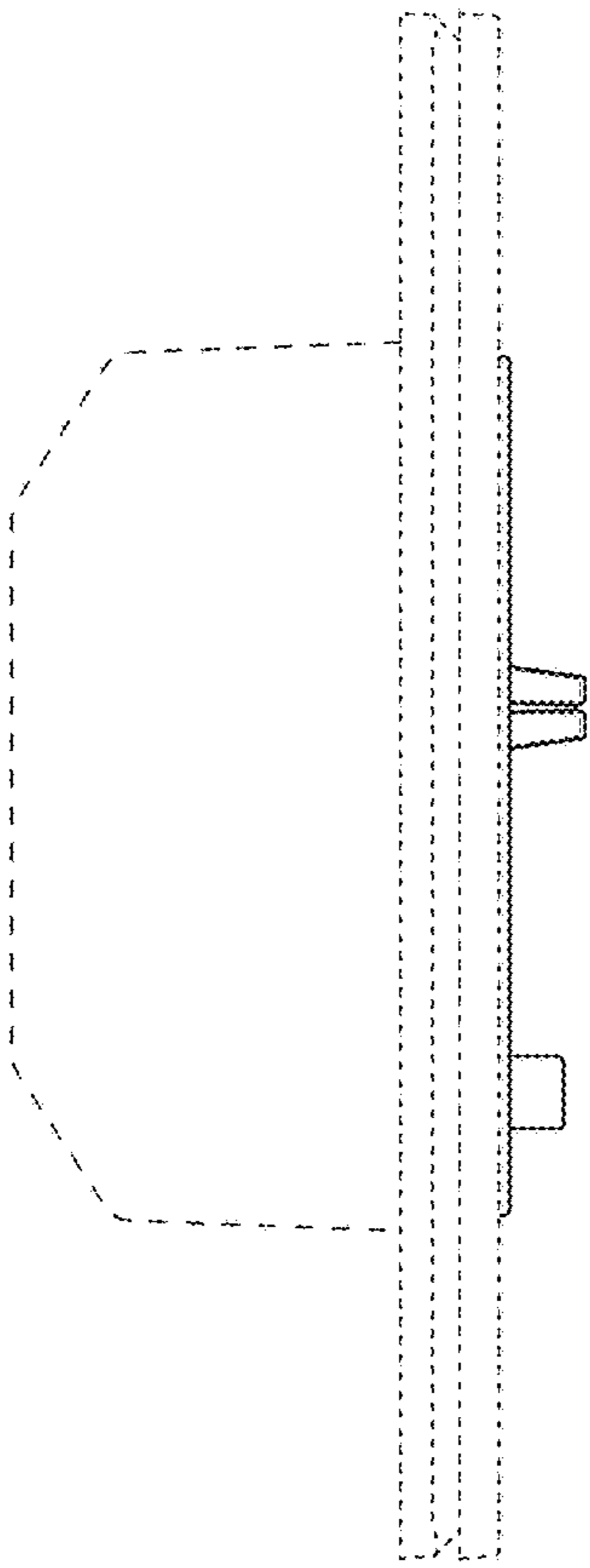
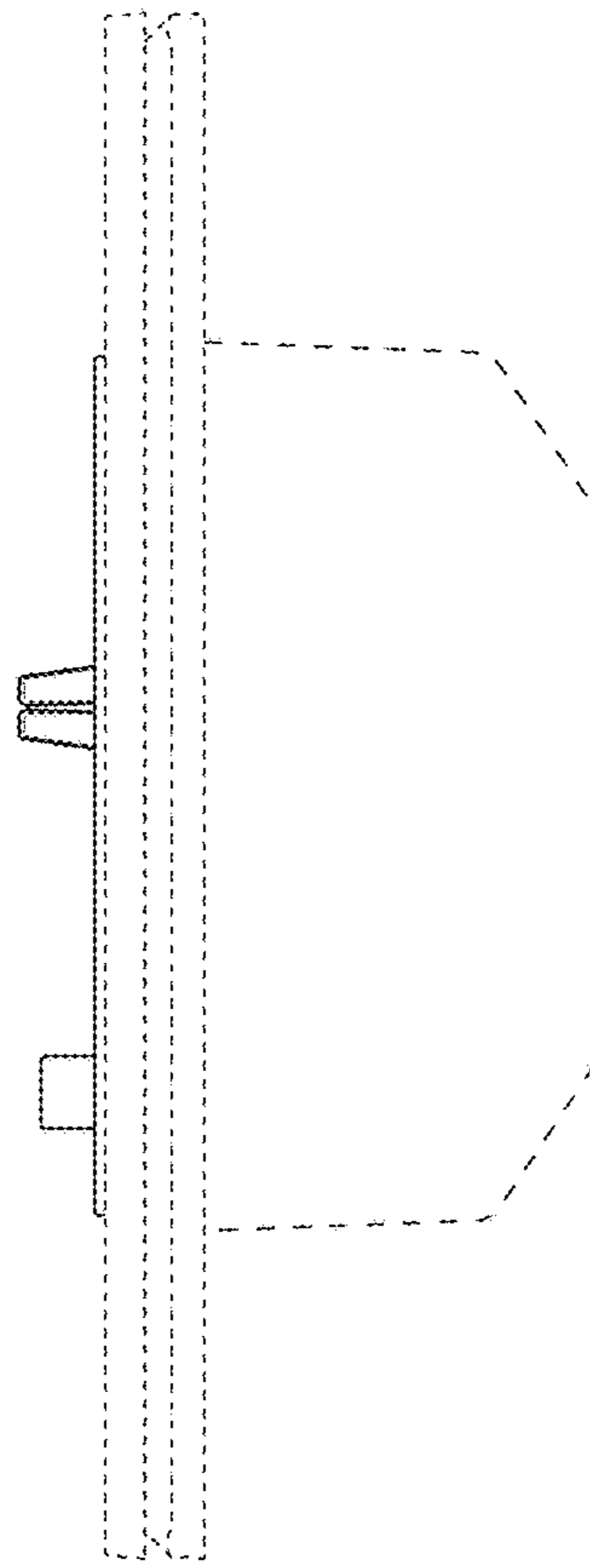


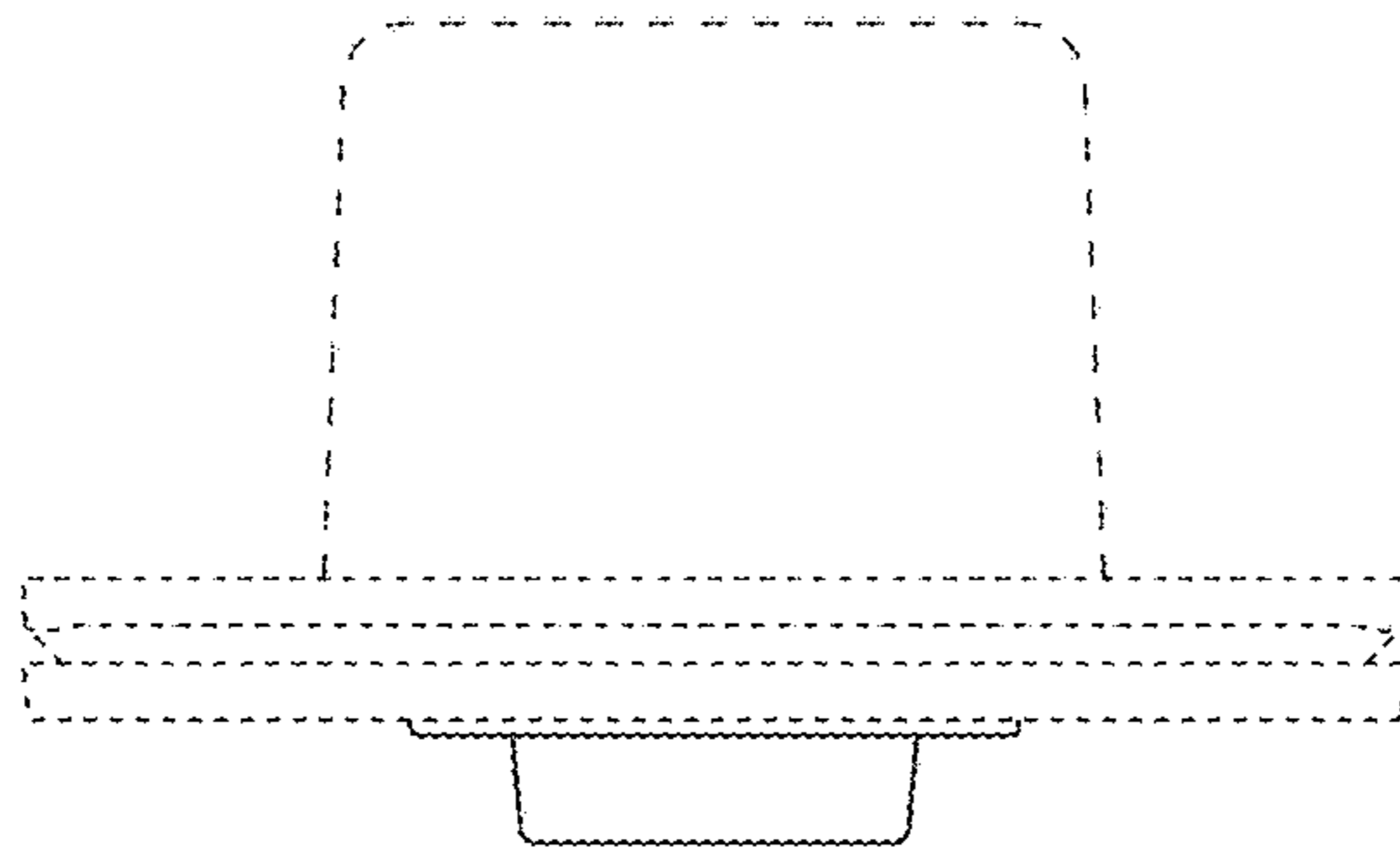
Fig. 2



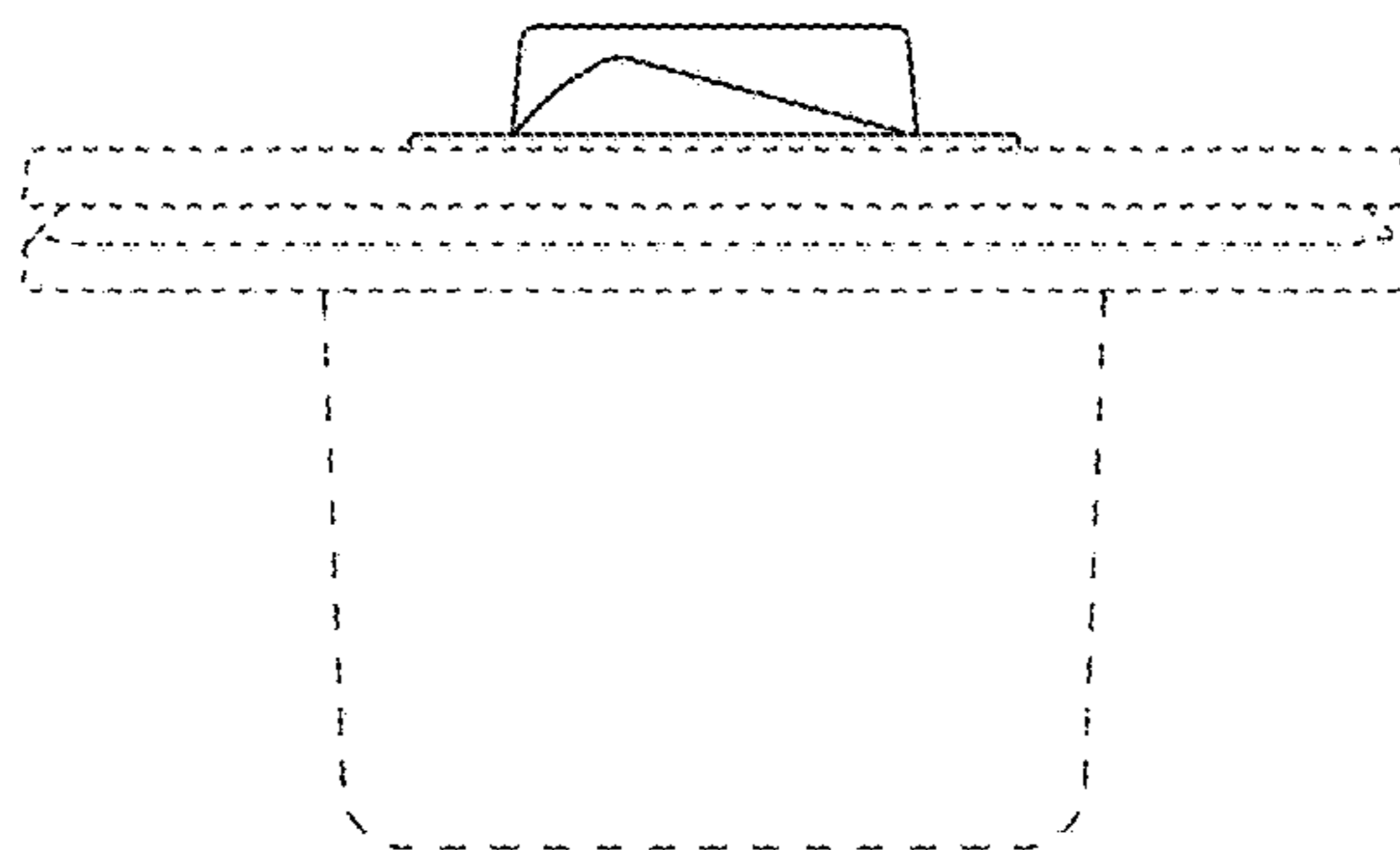
**Fig. 3**



**Fig. 4**



**Fig. 5**



**Fig. 6**