



US00D808340S

(12) **United States Design Patent**
Hultquist

(10) **Patent No.:** **US D808,340 S**

(45) **Date of Patent:** **** Jan. 23, 2018**

(54) **POWER DISTRIBUTION MODULE**

(71) Applicant: **Chief Enterprises, Inc.**, Elmhurst, IL
(US)

(72) Inventor: **Kevin Hultquist**, Bartlett, IL (US)

(**) Term: **15 Years**

(21) Appl. No.: **29/538,158**

(22) Filed: **Sep. 1, 2015**

(51) **LOC (11) Cl.** **13-03**

(52) **U.S. Cl.**
USPC **D13/147**

(58) **Field of Classification Search**
USPC D13/133, 146, 147, 154, 184, 199
CPC H01R 11/01; H01R 11/09; H05K 1/00;
H05K 1/11; H05K 1/14; H05K 5/06;
H02B 1/04; H02B 1/015; H02B 1/26;
H02B 1/18; B60R 16/033; B60L 1/00
See application file for complete search history.

(56) **References Cited**

U.S. PATENT DOCUMENTS

7,396,262 B2 * 7/2008 Korczynski B60R 16/0238
174/138 F
D585,838 S * 2/2009 Tiedemann D13/147

D629,363 S * 12/2010 Woodruff D13/147
D629,758 S * 12/2010 Woodruff D13/147
D633,445 S * 3/2011 Christiansen D13/147

* cited by examiner

Primary Examiner — Daniel Bui

(74) *Attorney, Agent, or Firm* — Meroni & Meroni, PC;
Charles F. Meroni, Jr.

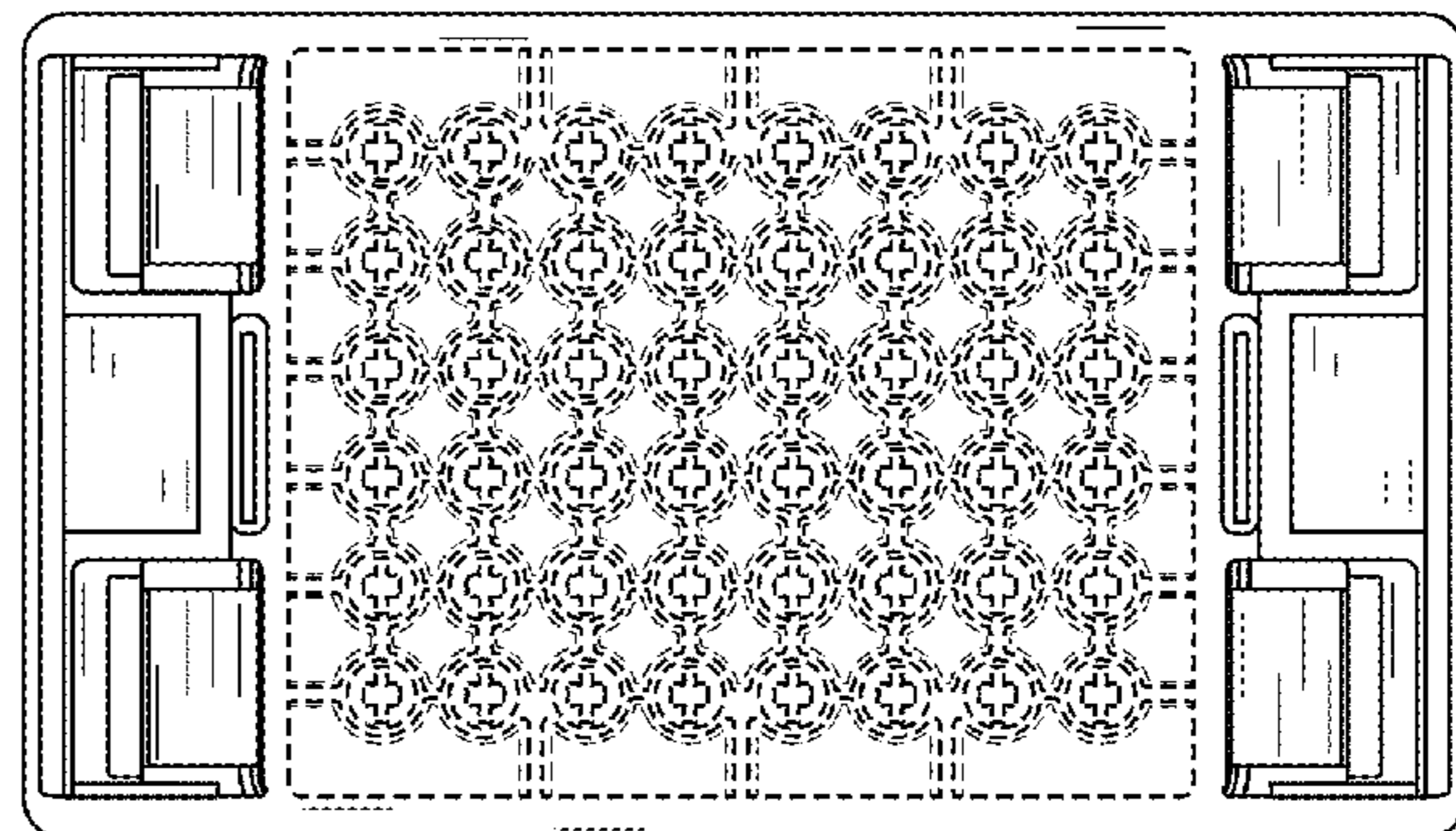
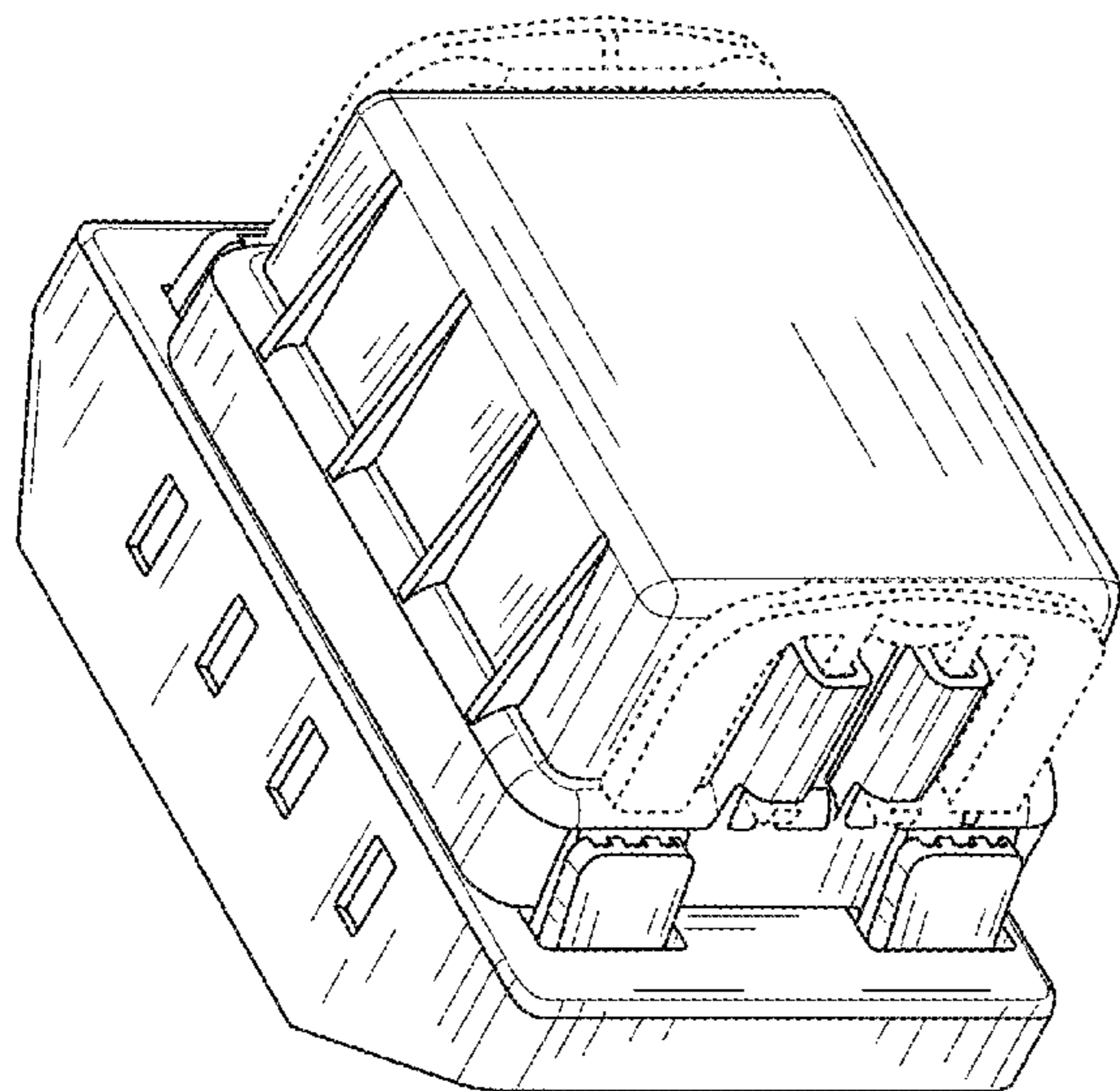
(57) **CLAIM**

The ornamental design of a power distribution module, as shown and described.

DESCRIPTION

FIG. 1 is a front, top and left side perspective view of a power distribution module showing my new design; FIG. 2 is a left side elevation view thereof; FIG. 3 is a right side elevation view thereof; FIG. 4 is a front end elevation view thereof; FIG. 5 is a rear elevation view thereof; FIG. 6 is a bottom plan view thereof; and, FIG. 7 is a top plan view thereof. The broken lines in the drawing views represent unclaimed portions of the power distribution module, which are shown for illustration purposes only and form no part of the claimed design.

1 Claim, 3 Drawing Sheets



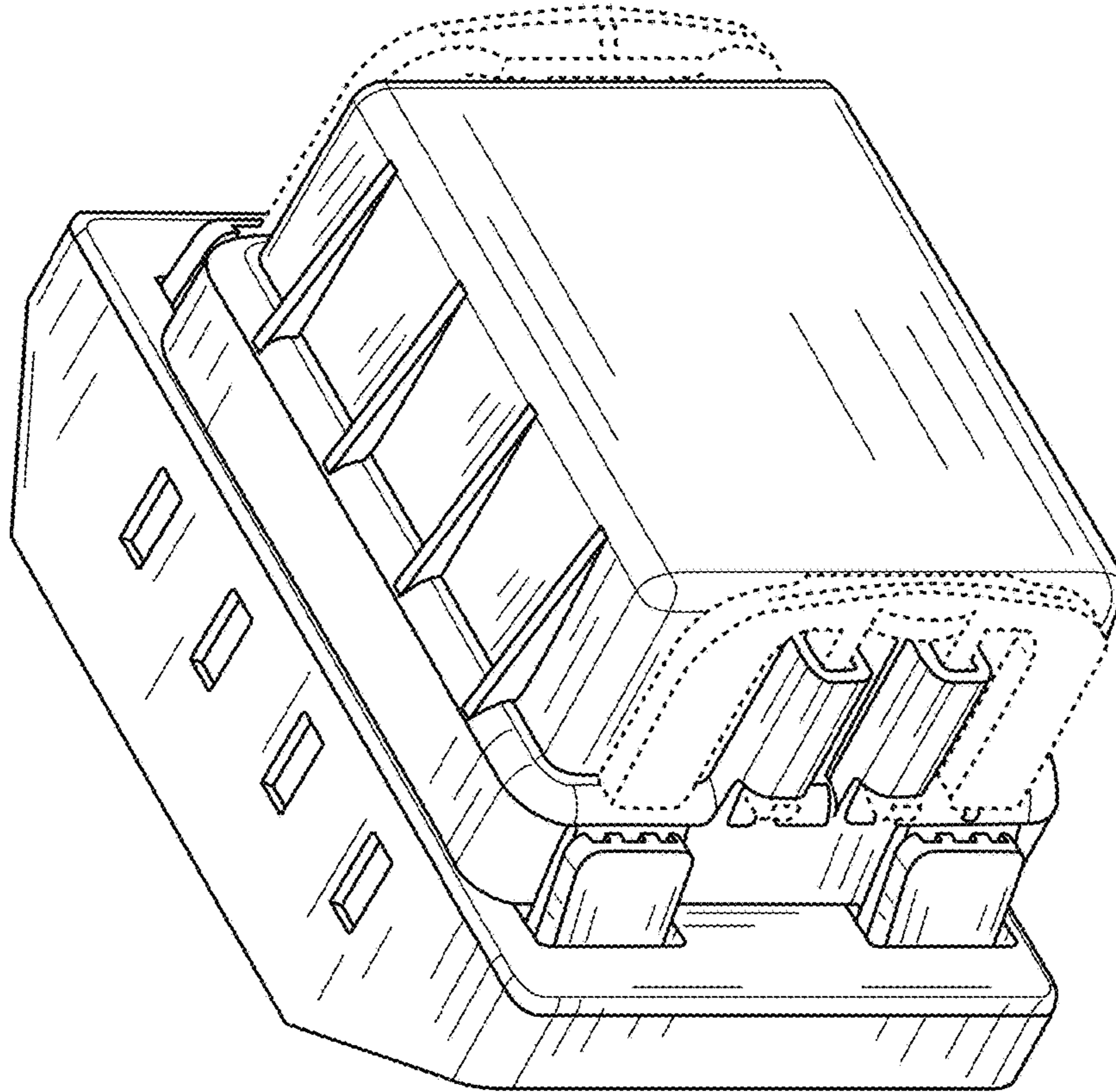


FIG. 1

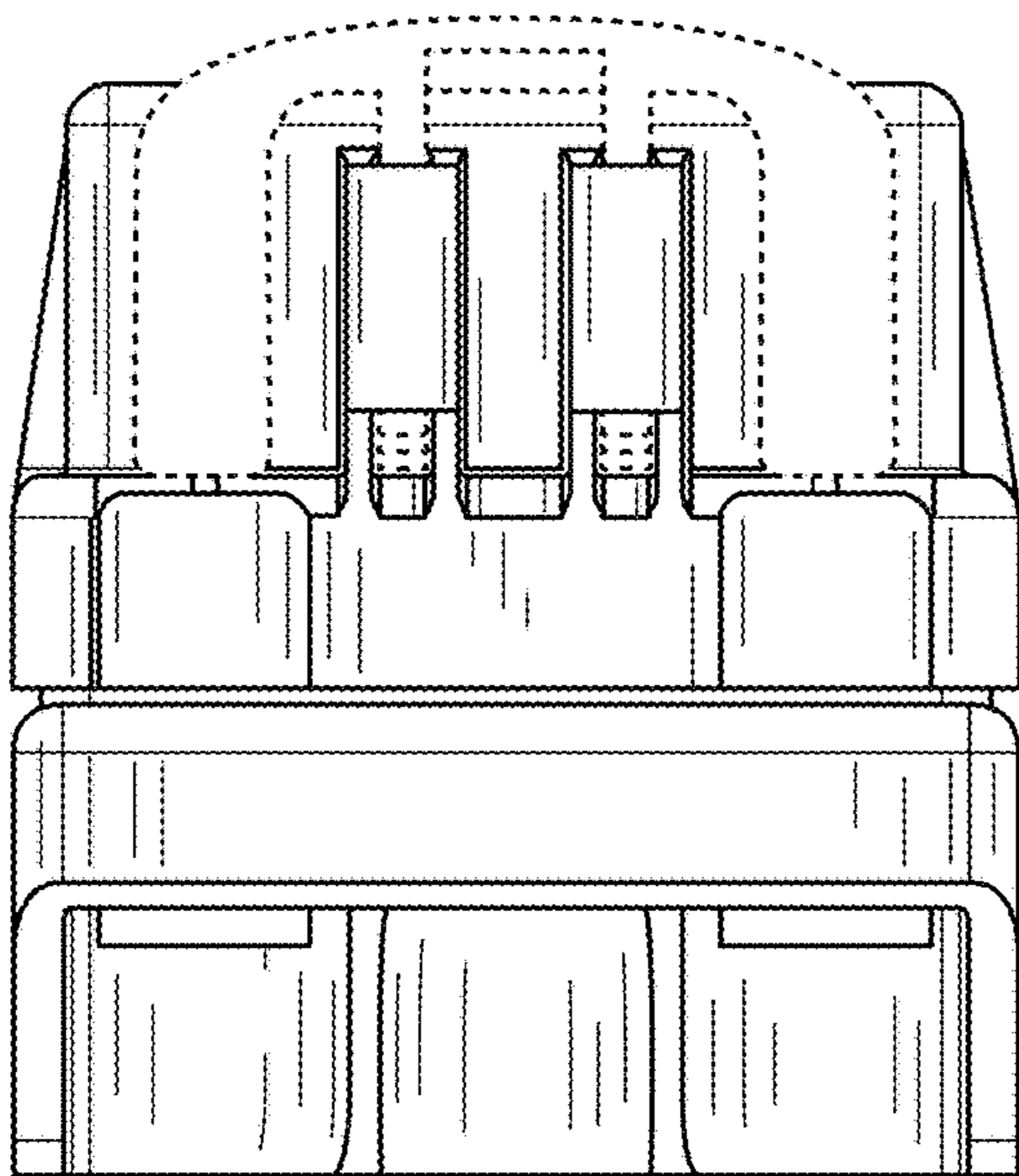


FIG. 2

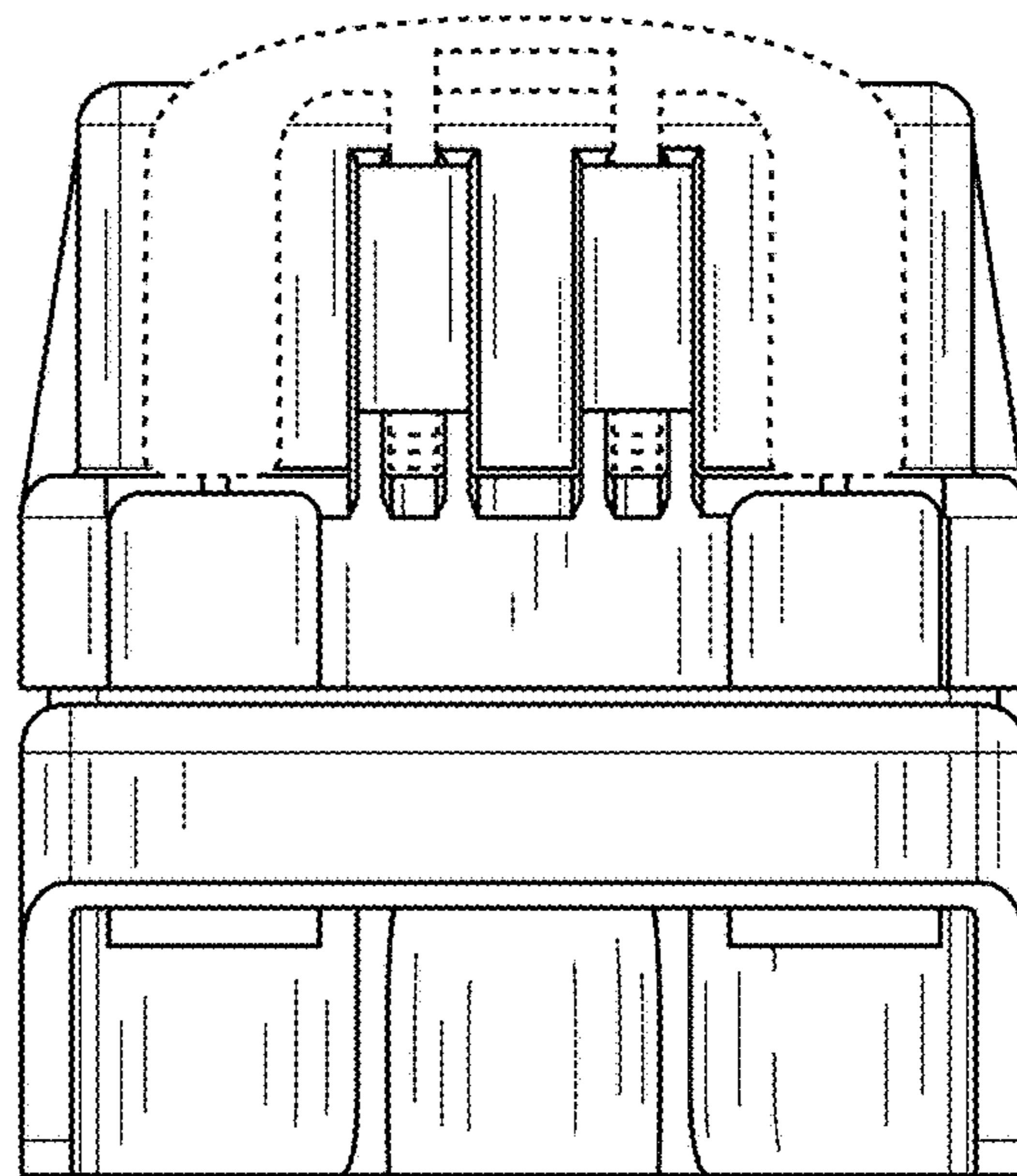


FIG. 3

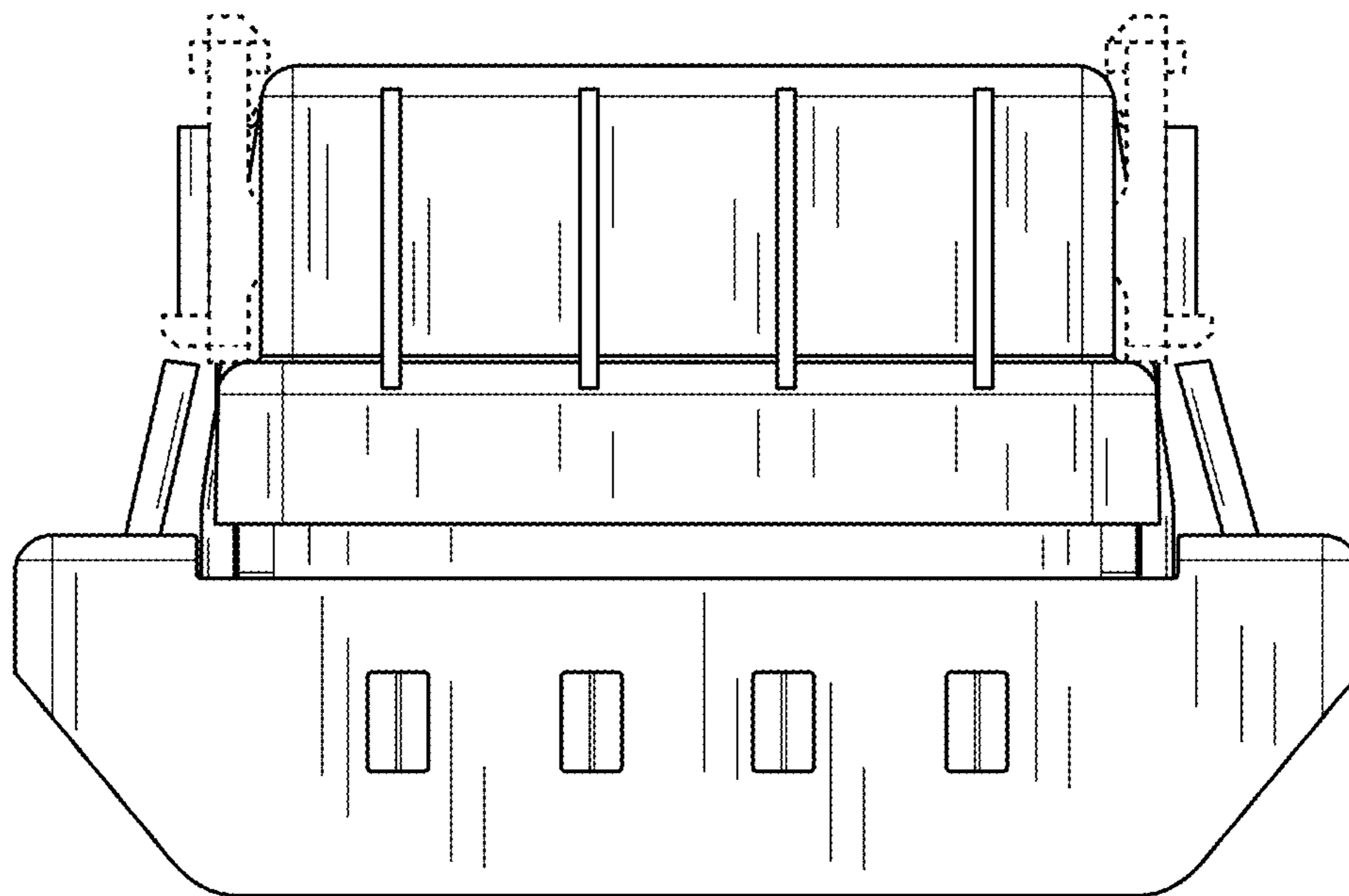


FIG. 4

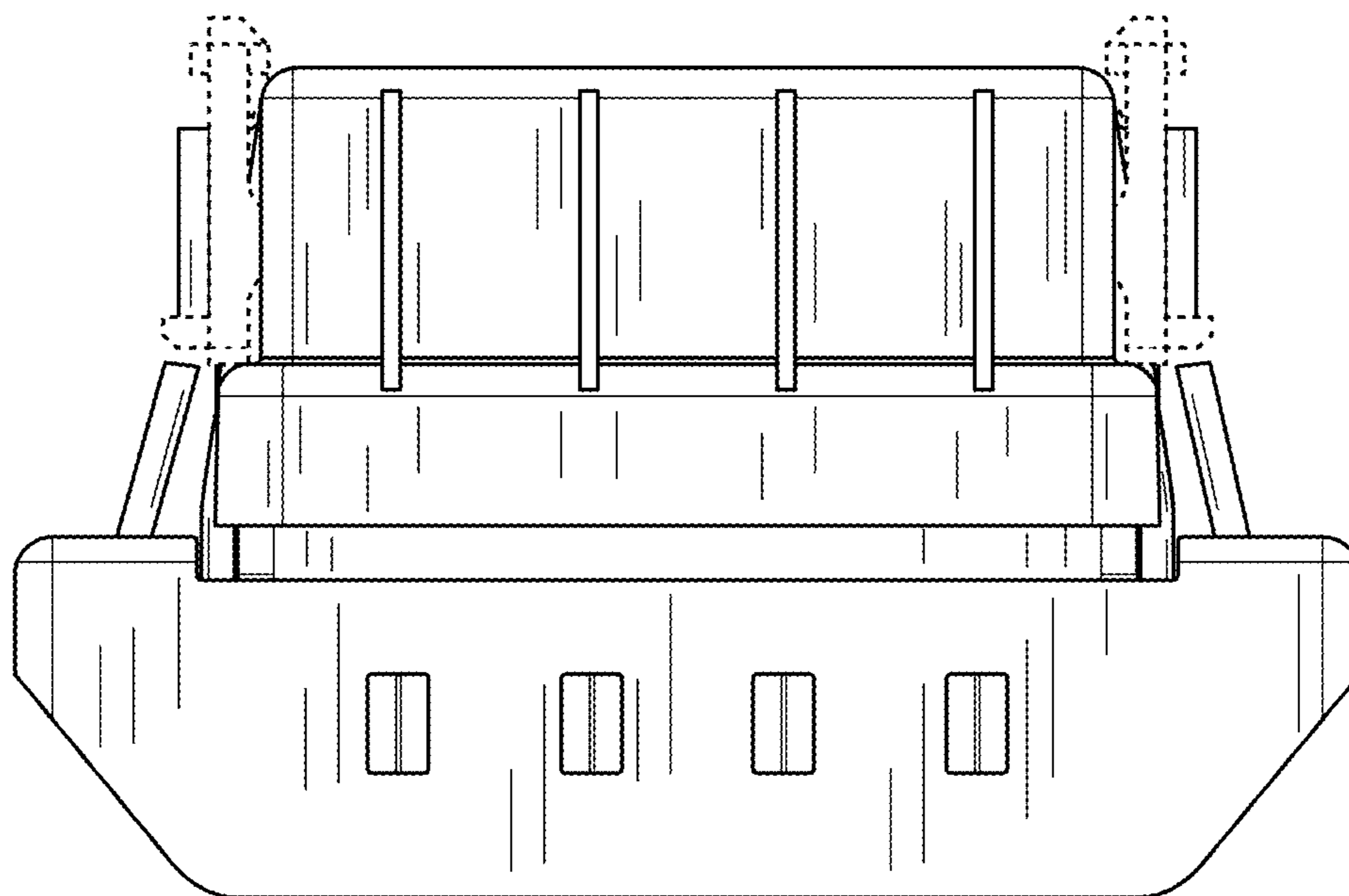


FIG. 5

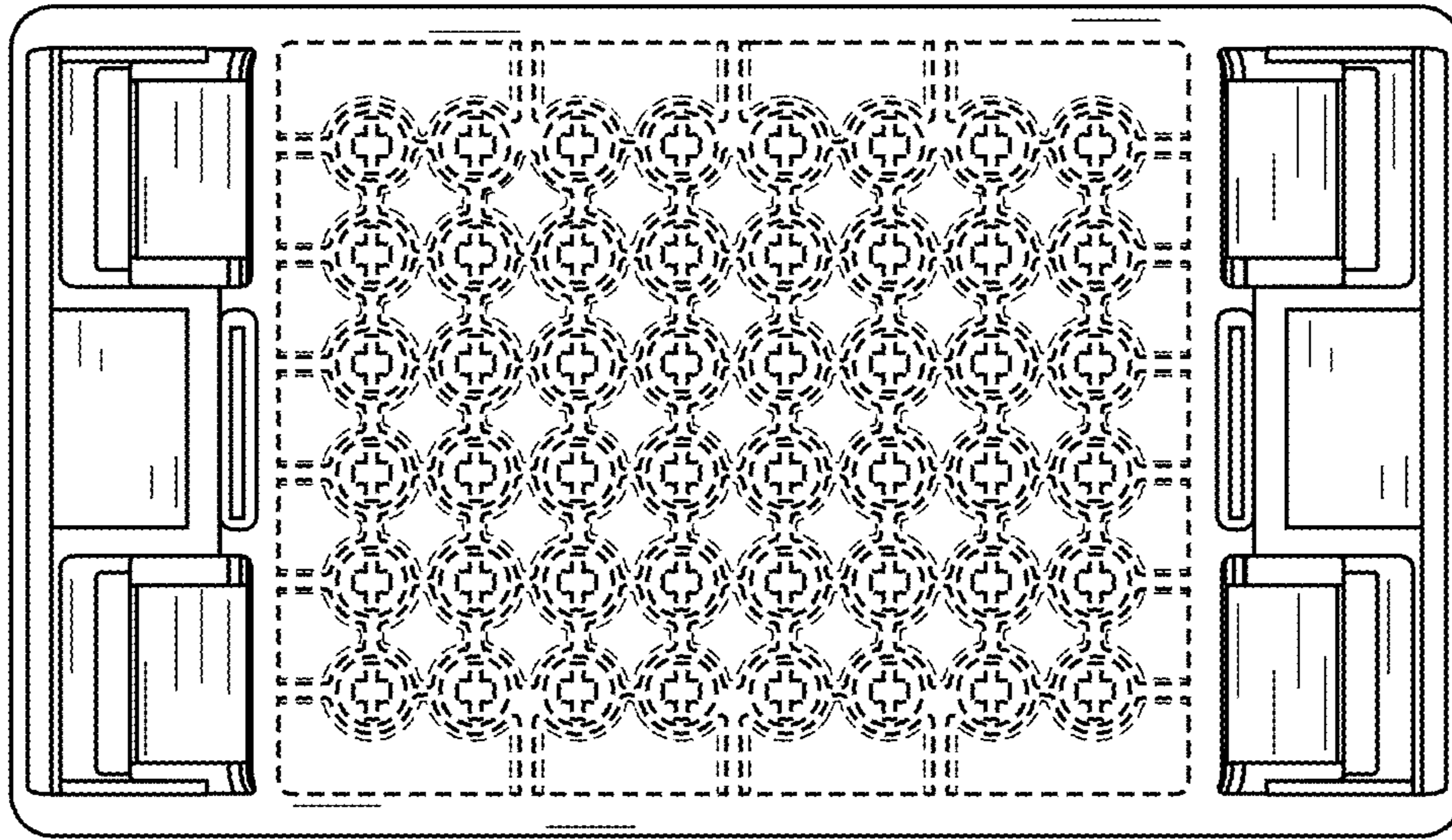


FIG. 6

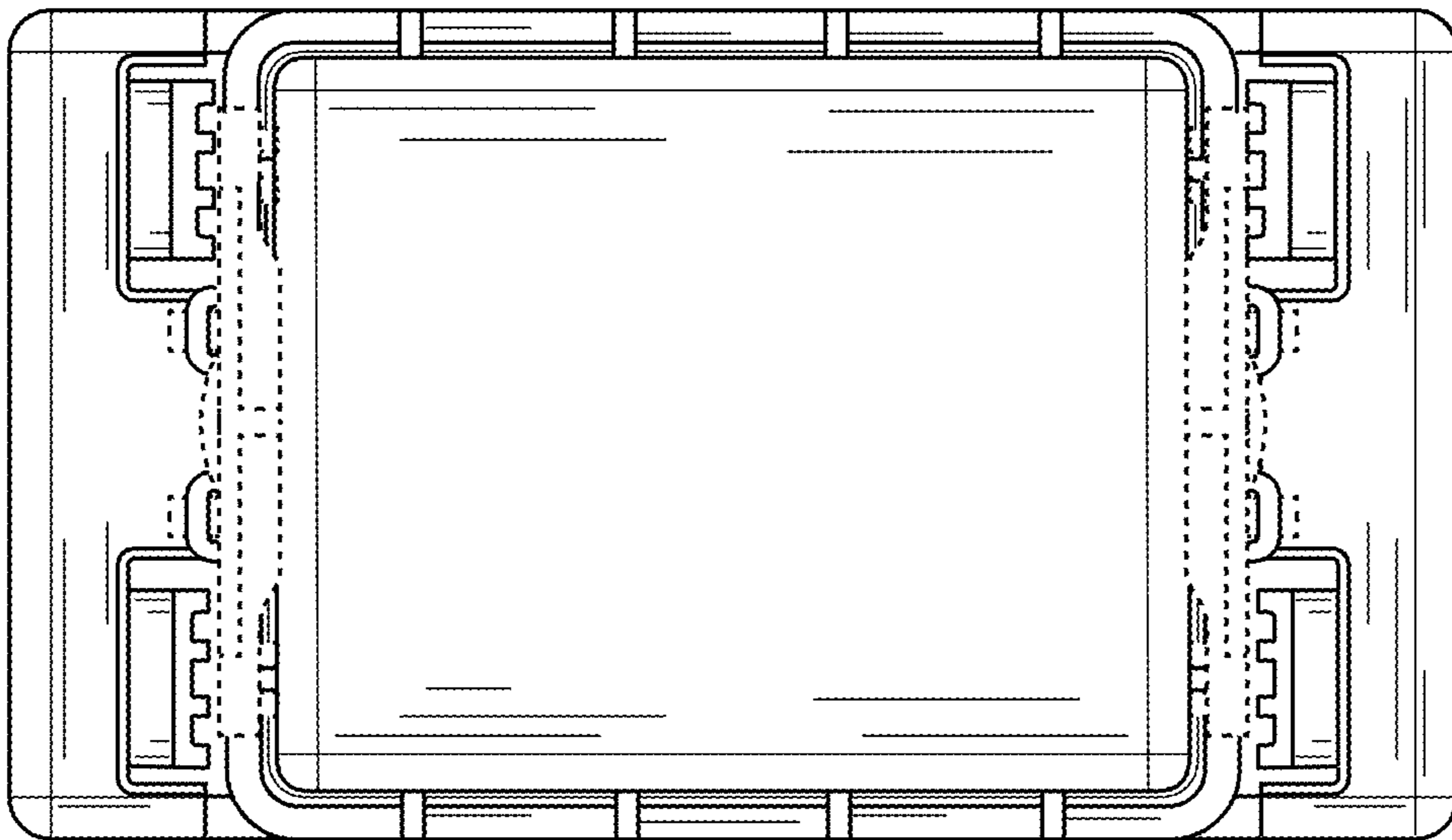


FIG. 7