



US00D808338S

(12) **United States Design Patent**
Messadek

(10) **Patent No.:** **US D808,338 S**
(45) **Date of Patent:** **** Jan. 23, 2018**

(54) **CONNECTOR**

(71) Applicant: **Karim Messadek**, Paris (FR)

(72) Inventor: **Karim Messadek**, Paris (FR)

(**) Term: **15 Years**

(21) Appl. No.: **29/581,174**

(22) Filed: **Oct. 17, 2016**

(30) **Foreign Application Priority Data**

Apr. 19, 2016 (EM) 003074582

(51) **LOC (11) Cl.** **13-03**

(52) **U.S. Cl.**
USPC **D13/133**

(58) **Field of Classification Search**
USPC D13/101, 110, 118, 120, 123, 133, 134,
D13/146-149, 152-154, 173-175, 177,
D13/178, 184, 199
CPC H01R 13/00; H01R 13/02; H01R 13/11;
H01R 13/40; H01R 13/51; H01R 13/533;
H01R 13/64; H01R 13/65; H01R 13/66;
H01R 13/74; H01R 24/60; H01R 13/18;
H01R 13/52; H01R 13/648; H01R 24/00;
H01R 24/58; H01R 43/16; H04B 14/00;
G05G 5/00; G10H 1/32

See application file for complete search history.

(56) **References Cited**

U.S. PATENT DOCUMENTS

4,386,820 A * 6/1983 Dola H01R 13/6453
439/396
D324,034 S * 2/1992 Williams D13/156
5,176,536 A * 1/1993 Ganger H01R 13/502
439/582
5,180,317 A * 1/1993 Franks, Jr. H01R 24/58
439/669
6,406,313 B1 * 6/2002 Victor H01R 27/00
439/175

D531,959 S * 11/2006 Kondas D13/147
D559,781 S * 1/2008 Victor D13/133
D791,075 S * 7/2017 Kim D13/107
2004/0147171 A1 * 7/2004 Lai H01R 24/58
439/701
2010/0330829 A1 * 12/2010 Yang H01R 13/052
439/166

(Continued)

OTHER PUBLICATIONS

¼ IN Right Angle Mono Male Solder Connector—Flat Pancake, dated Jun. 30, 2015, [online], [site visited Aug. 16, 2017]. Available from Internet, <URL: <https://www.showmecables.com/1-4-inch-metal-mono-plug-right-angle>>.*

(Continued)

Primary Examiner — Thomas Johannes
Assistant Examiner — Shawn T Gingrich
(74) *Attorney, Agent, or Firm* — PatentFile, LLC; Bradley C. Fach

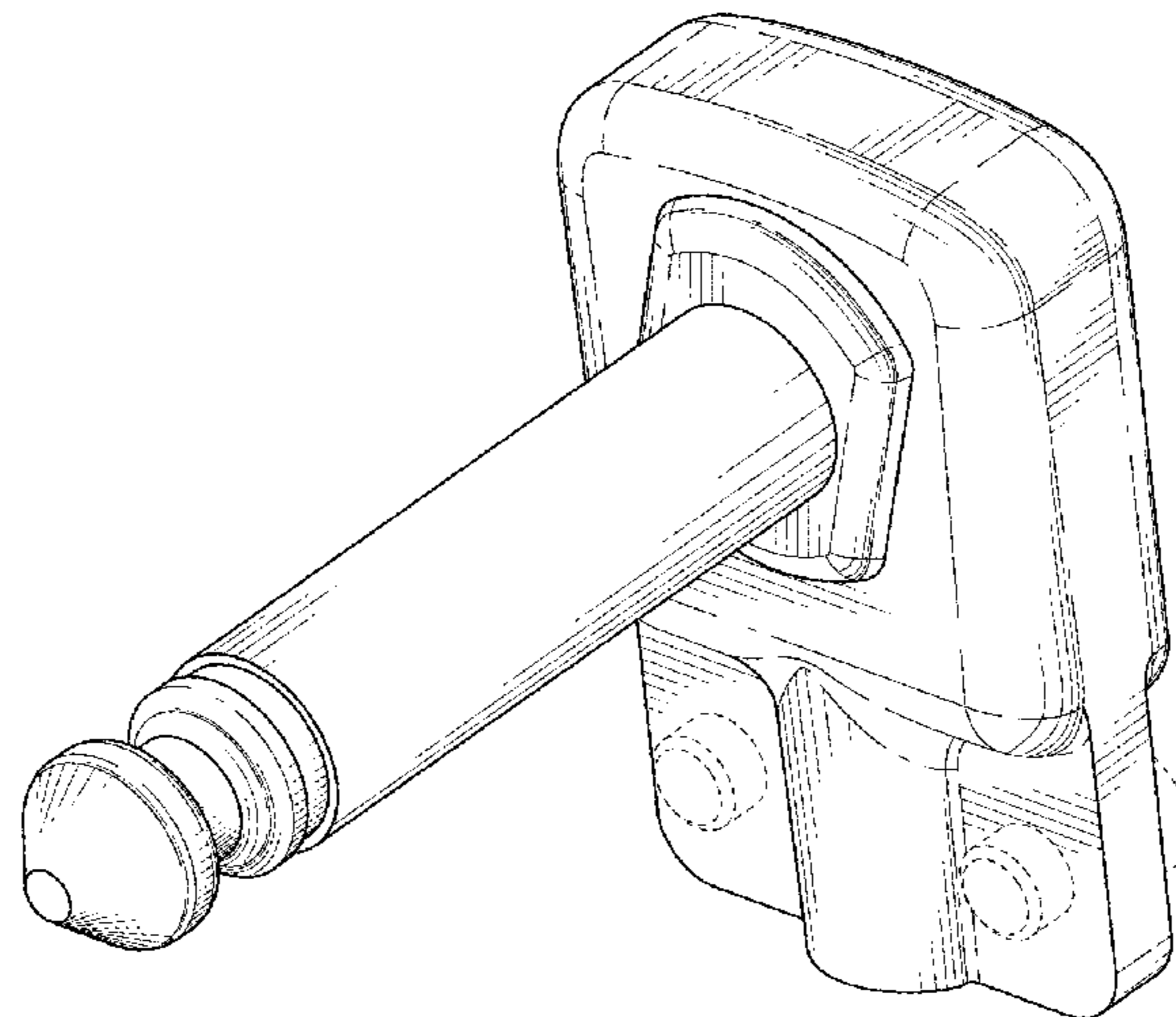
(57) **CLAIM**

The ornamental design for a connector, as shown and described.

DESCRIPTION

FIG. 1 is a front perspective view of a connector of the present invention, showing the new, original, and ornamental design;
FIG. 2 is a right side view thereof;
FIG. 3 is a left side view thereof;
FIG. 4 is a front view thereof;
FIG. 5 is a rear view thereof;
FIG. 6 is a top plan view thereof; and,
FIG. 7 is a bottom plan view thereof.
The broken lines shown in the drawings are included for the purpose of illustrating unclaimed portions of the connector and environmental structure, and form no part of the claimed design.

1 Claim, 4 Drawing Sheets



(56)

References Cited

U.S. PATENT DOCUMENTS

2014/0349522 A1* 11/2014 Choi H01R 12/71
439/669
2015/0098201 A1* 4/2015 Naito H01R 13/56
361/753
2016/0072236 A1* 3/2016 Rois H01R 13/62
381/74

OTHER PUBLICATIONS

GLS Audio ¼" right angle plugs, dated Jun. 30, 2015, [online], [site visited Jul. 1, 2010]. Available from Internet, <URL: https://www.amazon.com/GLS-Audio-Profile-Pancake-Speaker/dp/B003U1C78W/ref=sr_1_fkmr0_1?ie=UTF8&qid=1502895792&sr=8-1-fkmr0&keywords=square+plug+pancake>.*

* cited by examiner

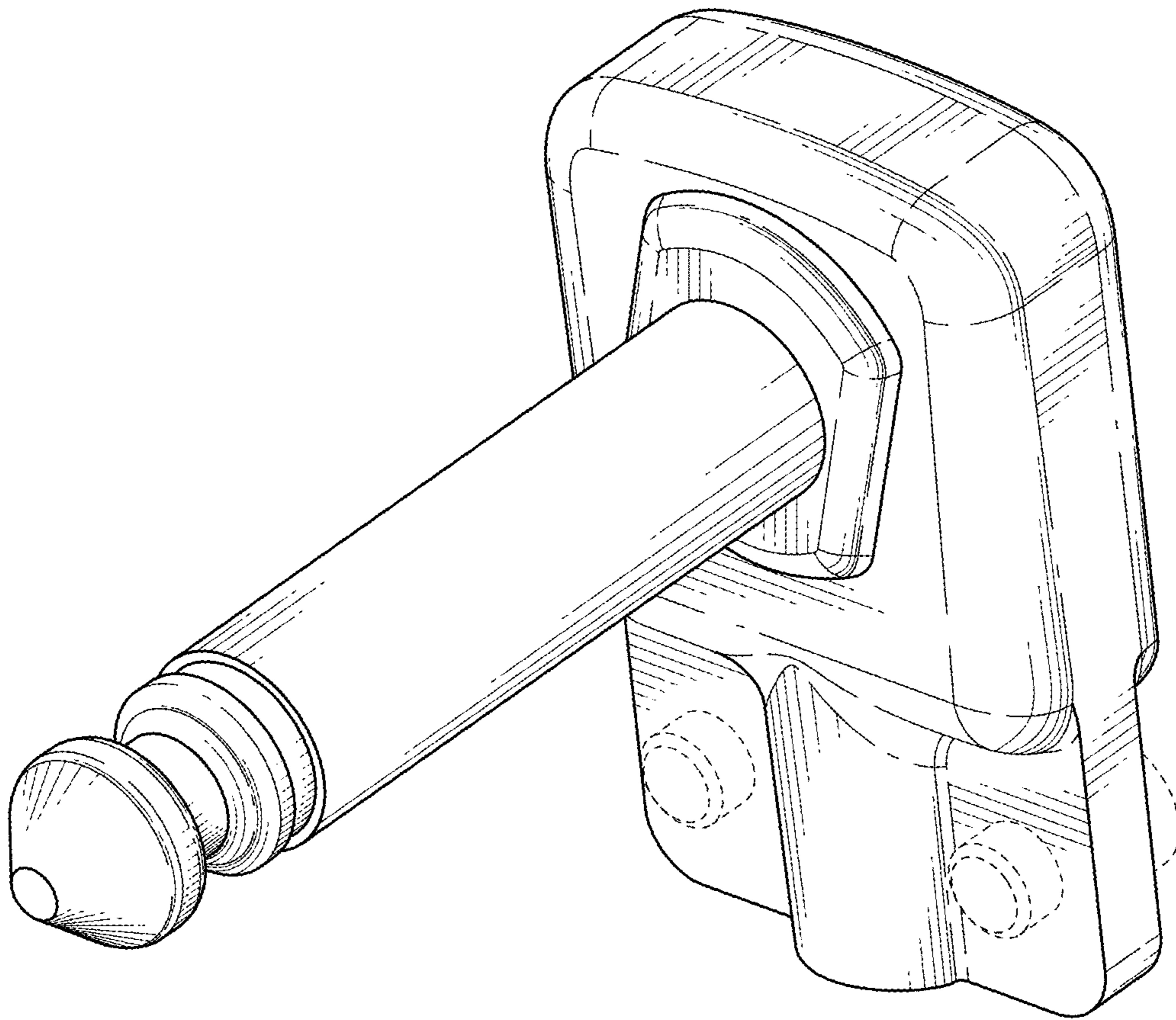


FIG. 1

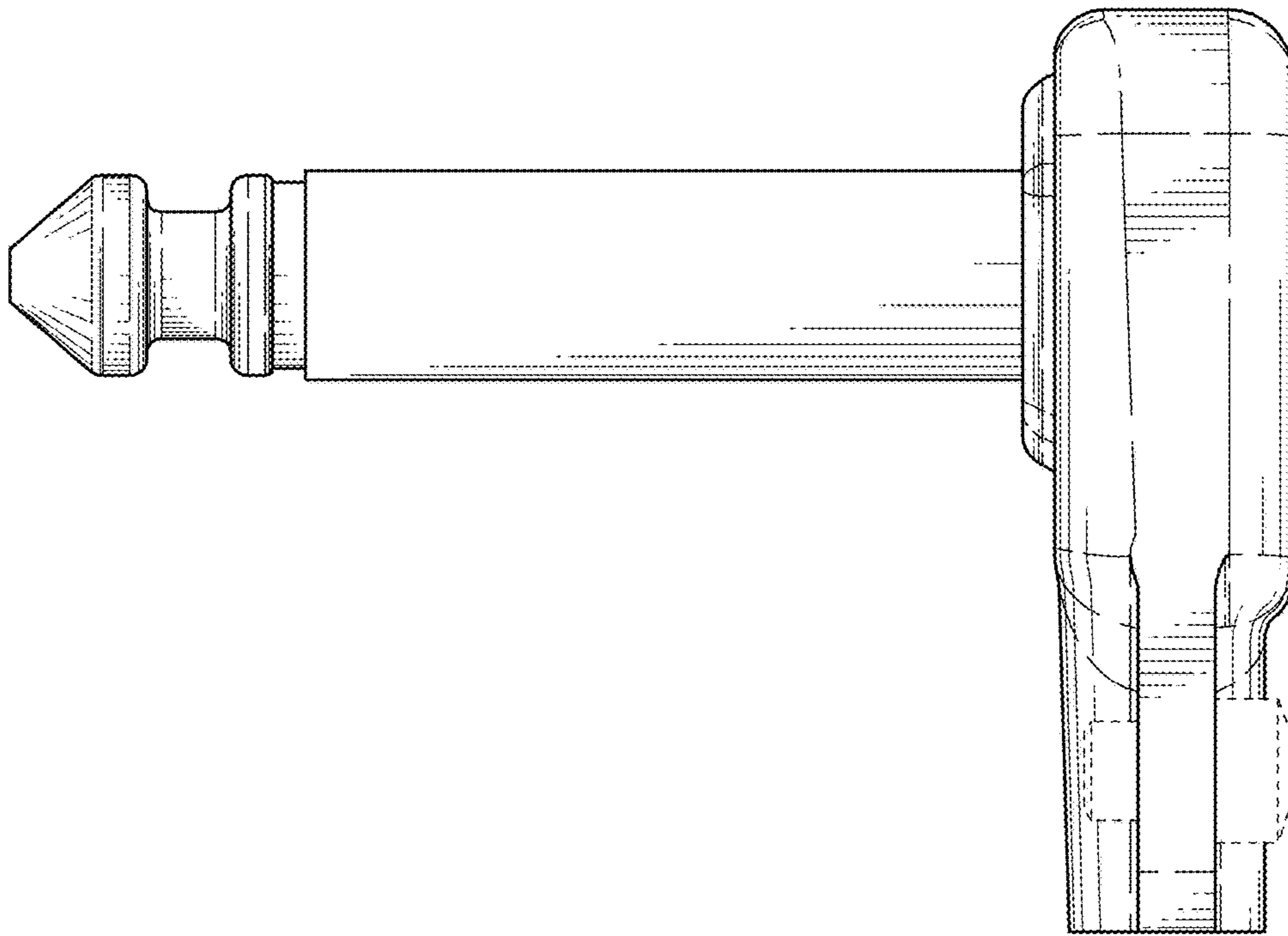


FIG. 2

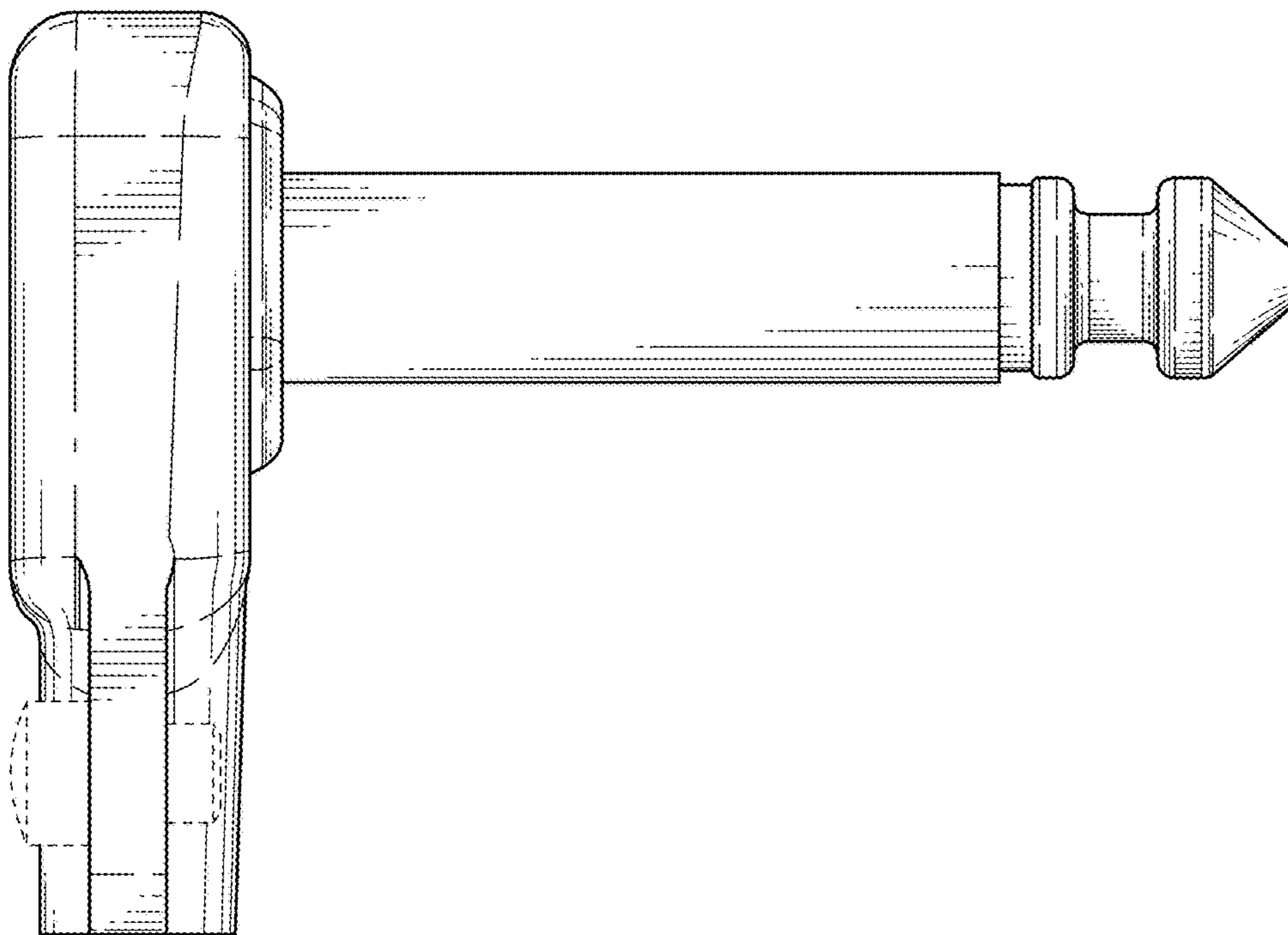


FIG. 3

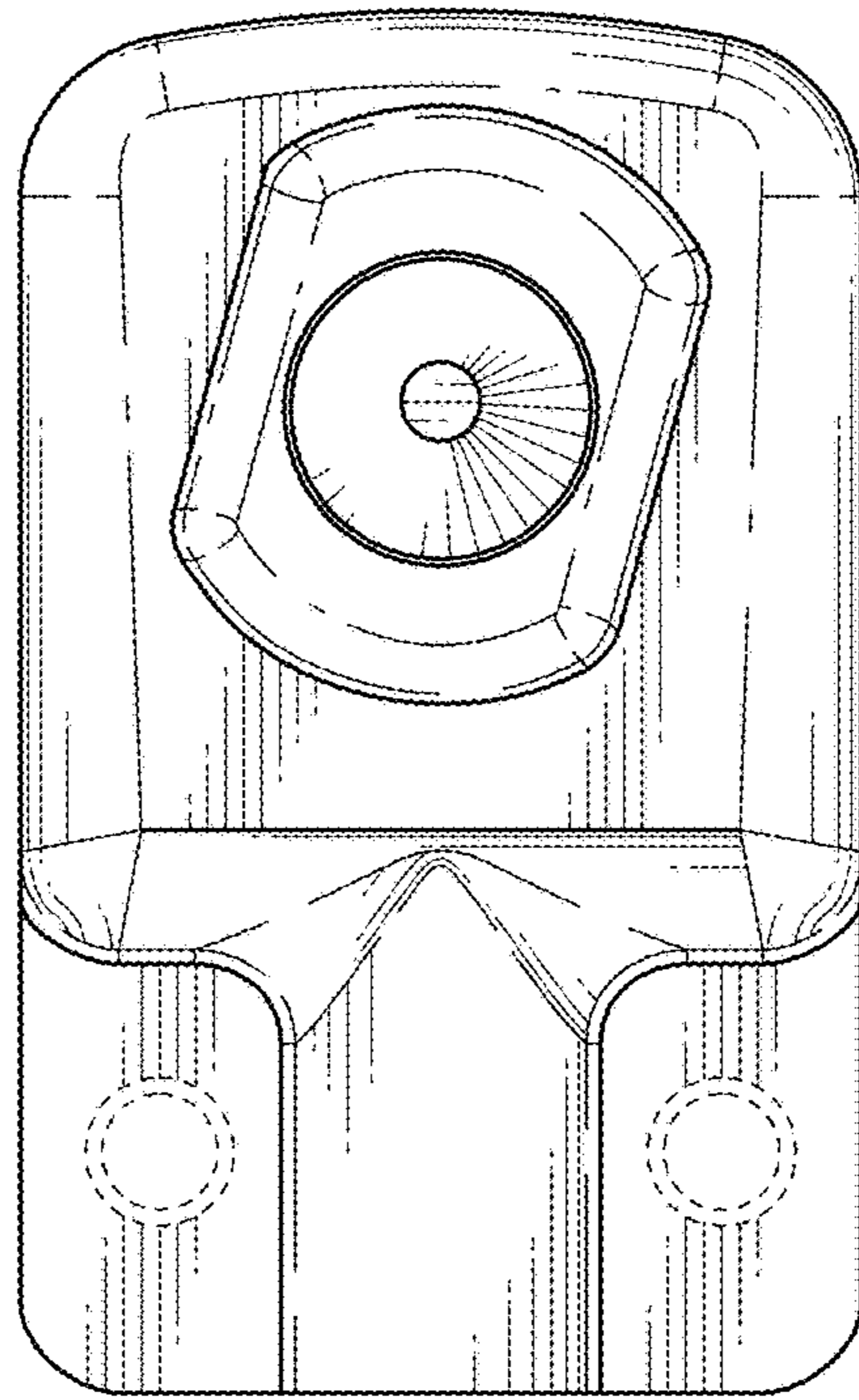


FIG. 4

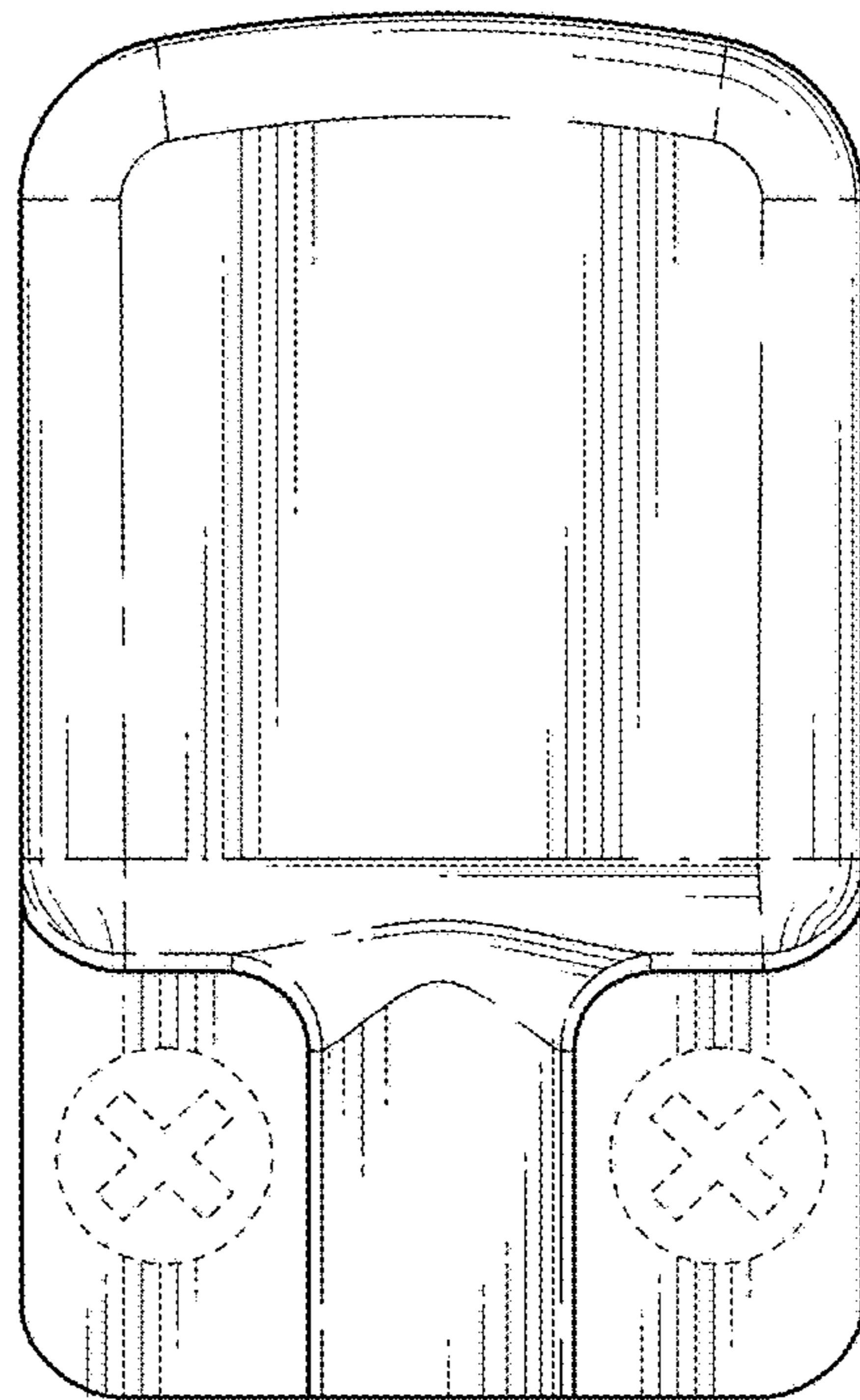


FIG. 5

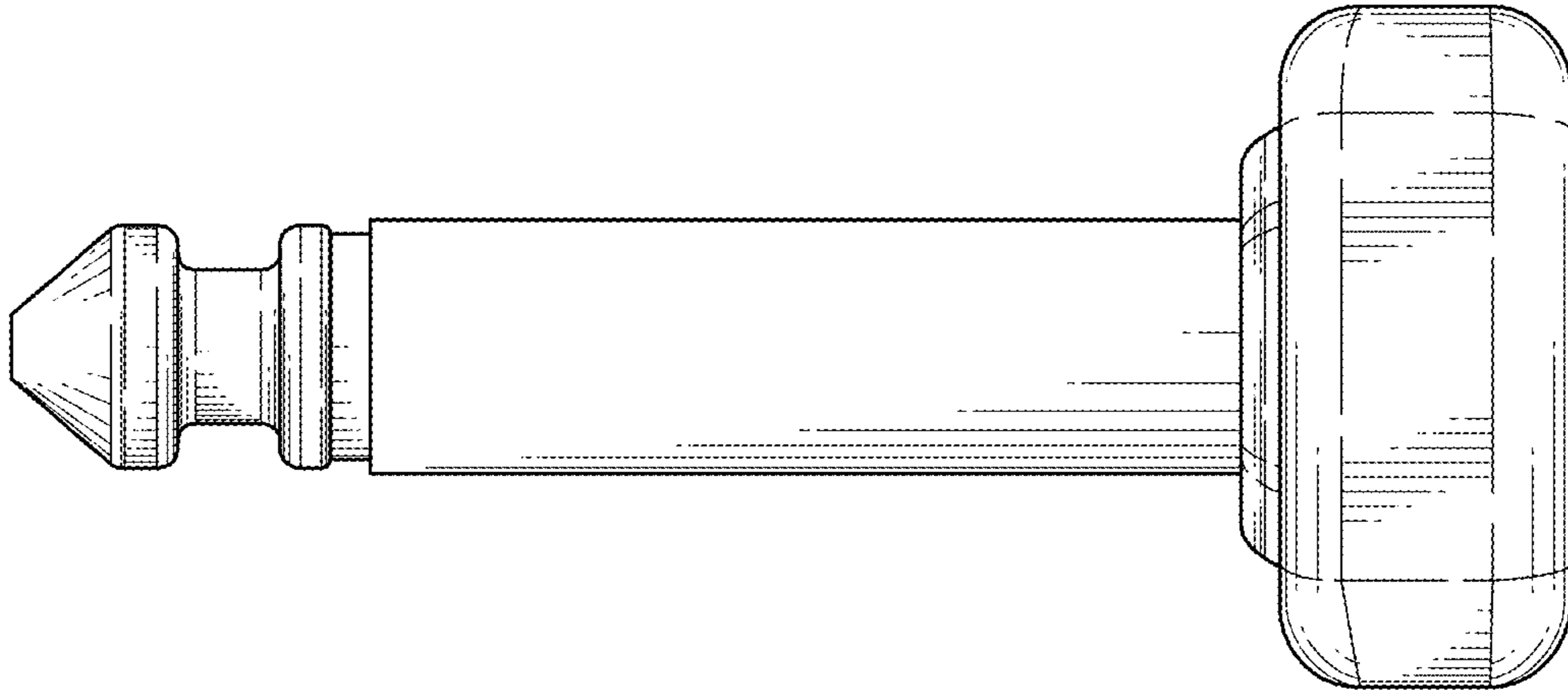


FIG. 6

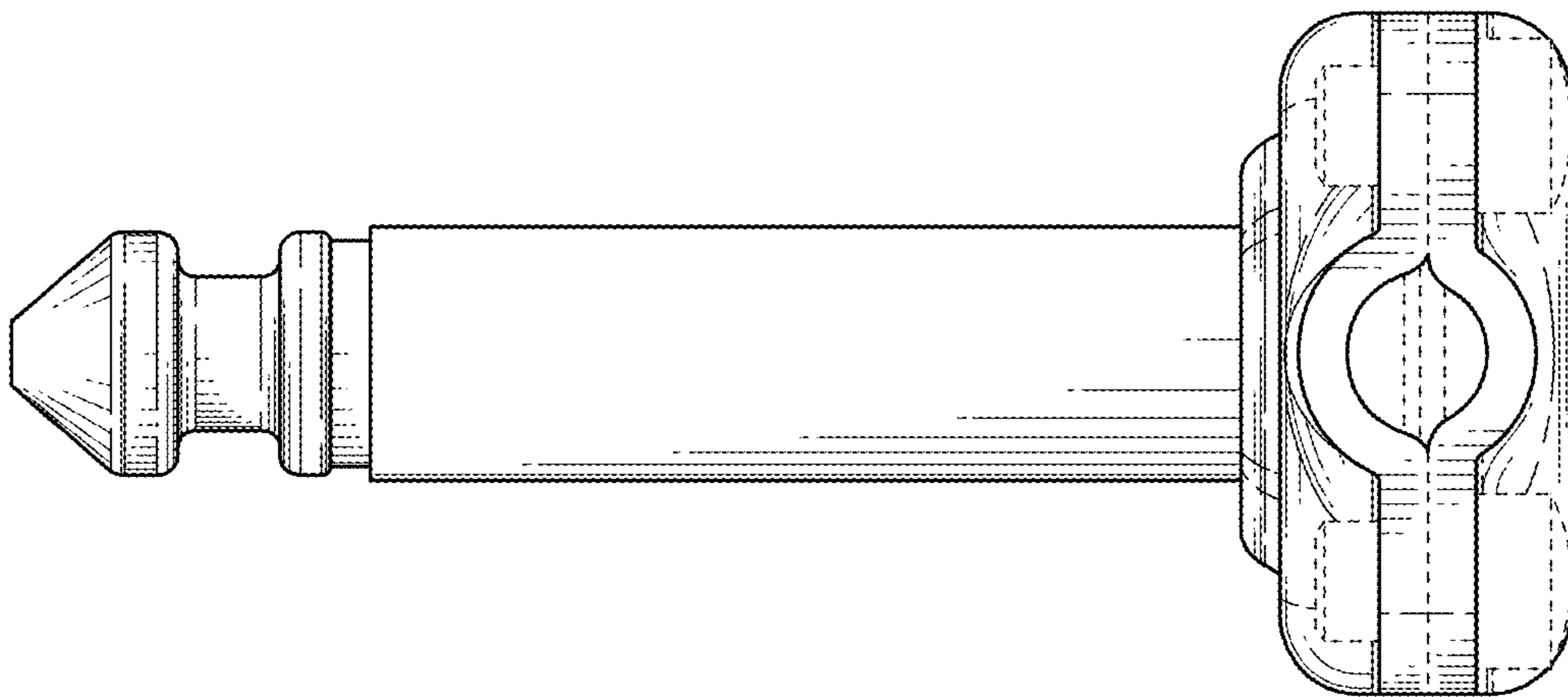


FIG. 7