



US00D808337S

(12) **United States Design Patent**  
**Roberts et al.**

(10) **Patent No.:** **US D808,337 S**  
(45) **Date of Patent:** **\*\* Jan. 23, 2018**

- (54) **POWER ADAPTER**
- (71) Applicant: **Google Inc.**, Mountain View, CA (US)
- (72) Inventors: **Rachael Elizabeth Roberts**, San Francisco, CA (US); **Bernardo Núñez Rojas**, San Francisco, CA (US); **Phan Thao Benno Dang**, San Francisco, CA (US)
- (73) Assignee: **Google LLC**, Mountain View, CA (US)
- (\*\*) Term: **15 Years**
- (21) Appl. No.: **29/574,173**
- (22) Filed: **Aug. 12, 2016**

- D222,826 S \* 1/1972 Newman ..... D9/687
- D244,355 S \* 5/1977 Mazie ..... D9/432
- D246,129 S \* 10/1977 Klamer ..... D21/499
- D276,225 S 11/1984 Powel
- D278,032 S 3/1985 de Mourgues
- D292,700 S 11/1987 Rauch
- D306,933 S \* 4/1990 Holewinski ..... D9/529
- D308,962 S 7/1990 Duk
- D324,685 S 3/1992 Strohbeen
- 5,115,966 A \* 5/1992 McKibben ..... B65D 5/76  
206/229
- D375,291 S 11/1996 Cheung
- D408,786 S 4/1999 Goto
- 5,957,280 A \* 9/1999 Focke ..... B65D 5/549  
206/264
- D430,025 S \* 8/2000 Kelsey ..... D9/432
- D433,941 S \* 11/2000 Kelsey ..... D9/432
- D436,345 S 1/2001 Lentine

(Continued)

**Related U.S. Application Data**

- (62) Division of application No. 29/501,588, filed on Sep. 5, 2014, now Pat. No. Des. 772,160.
- (51) **LOC (11) Cl.** ..... **13-02**
- (52) **U.S. Cl.**  
USPC ..... **D13/110**
- (58) **Field of Classification Search**  
USPC .... D13/110, 103, 107, 108, 118, 119, 138.1, D13/138.2, 139.1, 139.2, 184, 199; 320/111; D14/253, 432, 433, 434; 439/131, 172; D9/432, 526; D28/83  
CPC ..... H01R 25/00; H01R 31/06; H02J 7/0062  
See application file for complete search history.

**References Cited**

**U.S. PATENT DOCUMENTS**

- 1,511,855 A 10/1924 Wentz
- D110,333 S 7/1938 Aizic
- 2,500,987 A \* 3/1950 Harpster ..... H01R 31/02  
439/652
- 2,542,180 A \* 2/1951 Chemlinski ..... A24F 27/14  
206/45.2

*Primary Examiner* — Derrick Holland  
*Assistant Examiner* — Jennifer O King  
(74) *Attorney, Agent, or Firm* — Lerner, David, Littenberg, Krumholz & Mentlik, LLP

(57) **CLAIM**

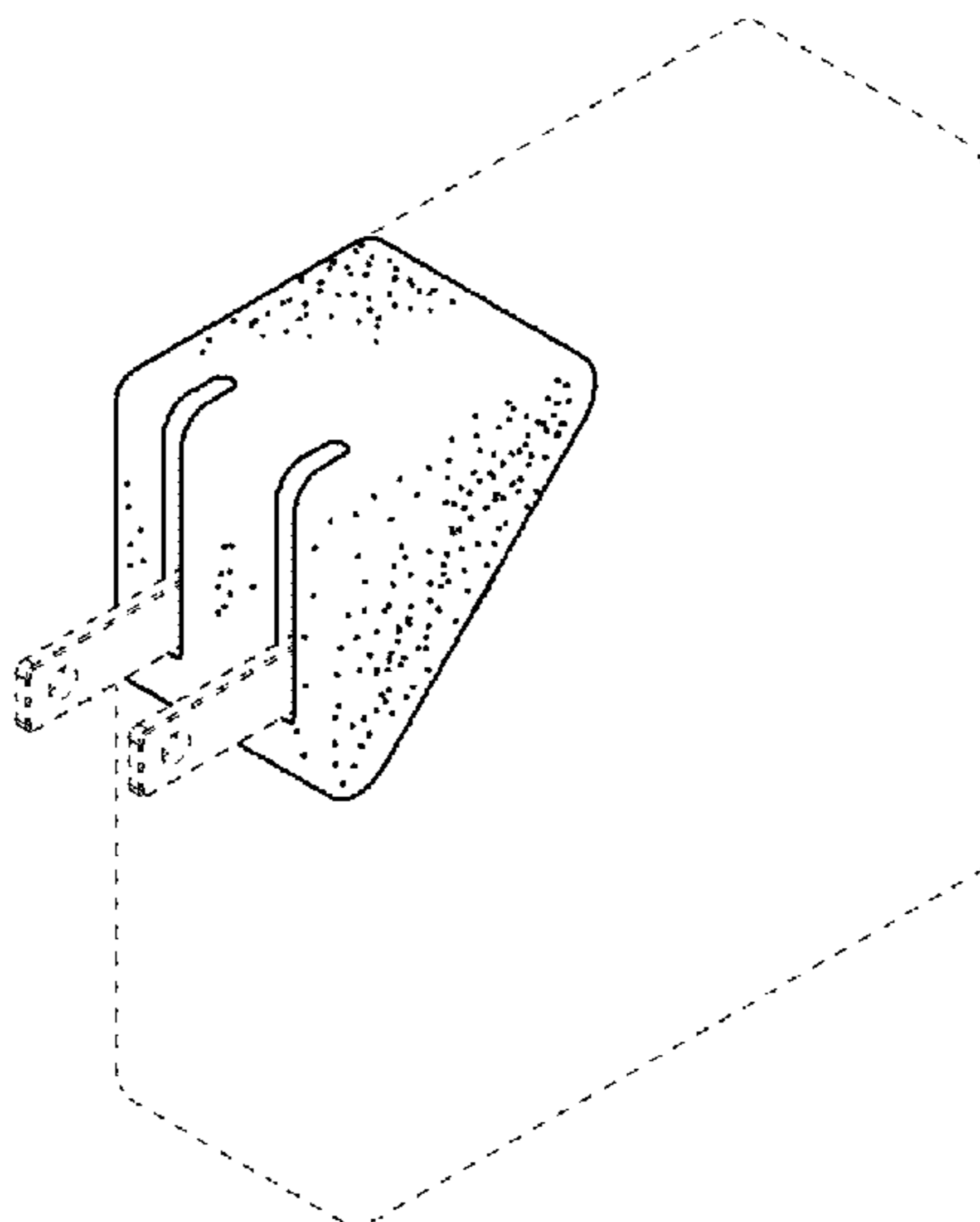
The ornamental design for a power adapter, as shown and described.

**DESCRIPTION**

FIG. 1 is a front perspective view of a power adapter; FIG. 2 is a front elevation view thereof; FIG. 3 is a rear elevation view thereof; FIG. 4 is a left side elevation view thereof; FIG. 5 is a right side elevation view thereof; FIG. 6 is a top view thereof; and, FIG. 7 is a bottom view thereof.

The broken lines shown represent unclaimed subject matter and form no part of the claimed design. The stipple shading shown in the figures represents a contrast in appearance from the non-stippled filled areas.

**1 Claim, 4 Drawing Sheets**



(56)

References Cited

U.S. PATENT DOCUMENTS

D440,937 S *	4/2001	Germagian .....	D13/110	D660,795 S	5/2012	Wen et al.	
D478,310 S	8/2003	Andre et al.		8,222,773 B2	7/2012	De Iuliis et al.	
D478,546 S	8/2003	Andre et al.		8,232,672 B2	7/2012	De Iuliis et al.	
D484,853 S	1/2004	Alviar		D676,421 S	2/2013	Garrett	
D512,963 S	12/2005	Lee		D677,158 S	3/2013	Delaney et al.	
D517,985 S	3/2006	Hirabayashi et al.		8,388,352 B1	3/2013	ChongYu et al.	
D519,922 S	5/2006	Andre et al.		8,398,430 B1	3/2013	Queru	
D530,447 S *	10/2006	Velloni .....	D27/189	D680,491 S *	4/2013	Paschke .....	D13/108
D548,187 S	8/2007	Holland		8,408,924 B1	4/2013	Queru	
D559,783 S	1/2008	Matzdorff et al.		8,512,056 B2	8/2013	Wen et al.	
D573,951 S *	7/2008	Schwartz .....	D13/139.1	8,579,641 B1	11/2013	Queru	
7,422,437 B1	9/2008	Lin et al.		8,579,656 B2	11/2013	Huang	
7,435,091 B1	10/2008	Cruz		8,641,459 B1	2/2014	Matsuoka et al.	
D586,221 S	2/2009	Shaikh		8,674,558 B2	3/2014	De Iuliis et al.	
D588,065 S	3/2009	Wadsworth et al.		8,708,722 B1	4/2014	Walliser et al.	
7,497,707 B2	3/2009	Wu et al.		D704,632 S	5/2014	On et al.	
D596,571 S	7/2009	Green		D706,220 S	6/2014	Zaslavsky et al.	
7,573,159 B1	8/2009	DeIuliis et al.		D711,237 S	8/2014	Fleischhacker	
7,604,511 B1	10/2009	Johnson		D714,249 S	9/2014	Carney et al.	
7,658,625 B2	2/2010	Jubelirer et al.		D716,225 S	10/2014	Akana et al.	
D620,485 S	7/2010	Corrigan et al.		D734,895 S	7/2015	Liu	
D620,889 S *	8/2010	Smith .....	D13/108	D735,130 S	7/2015	Huang	
7,926,673 B2	4/2011	Nilsson		D756,913 S *	5/2016	Esses .....	D13/107
7,946,868 B1	5/2011	Chen		D776,617 S *	1/2017	Lagerstedt .....	D13/138.2
D647,476 S	10/2011	Ciou		2016/0056649 A1 *	2/2016	Chen .....	H02J 7/0042 320/111
D652,380 S	1/2012	Chen et al.		2016/0141903 A1 *	5/2016	Chen .....	H02J 7/0052 320/111
				2017/0025886 A1 *	1/2017	Rohmer .....	H02J 7/0044

\* cited by examiner

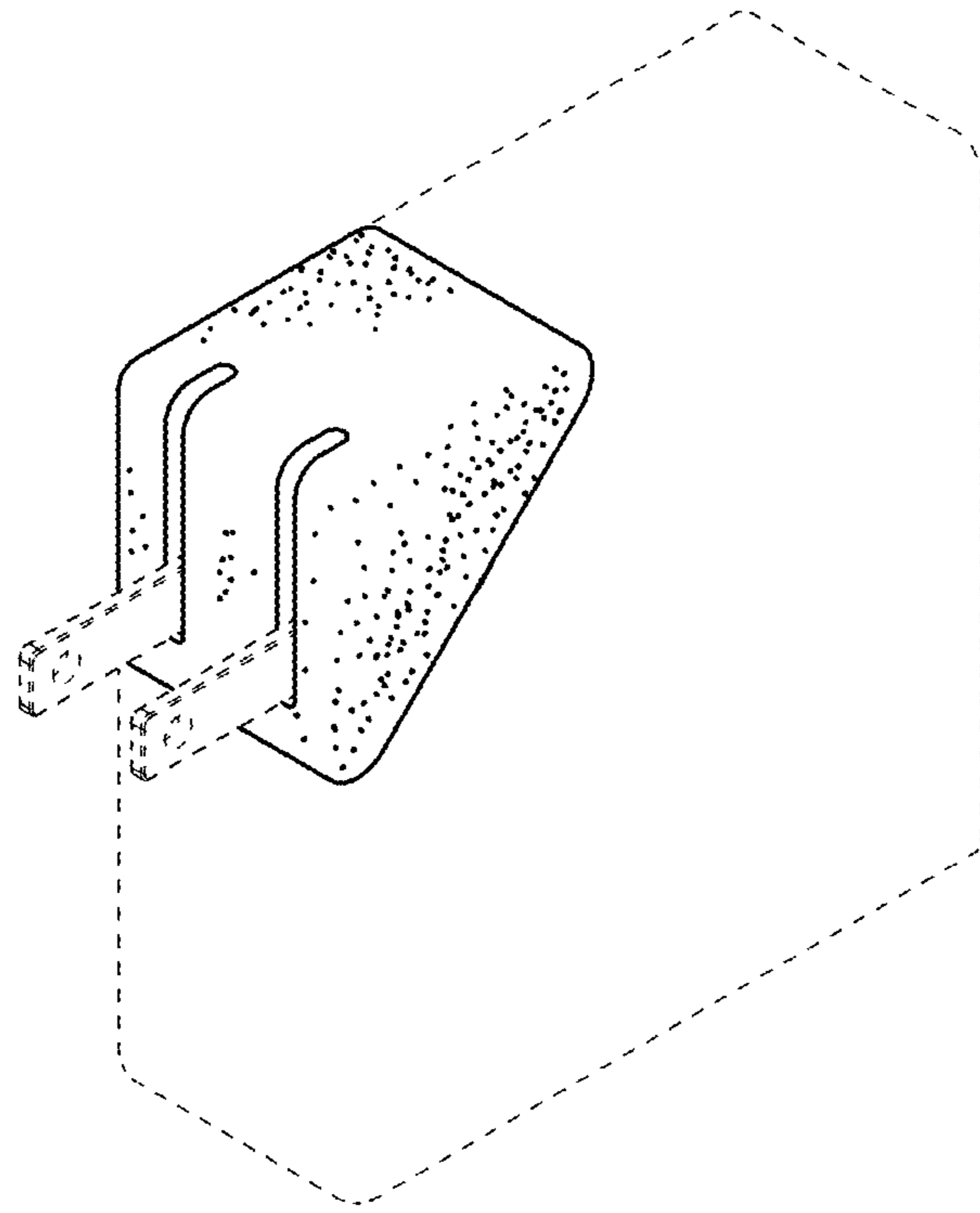


FIG. 1

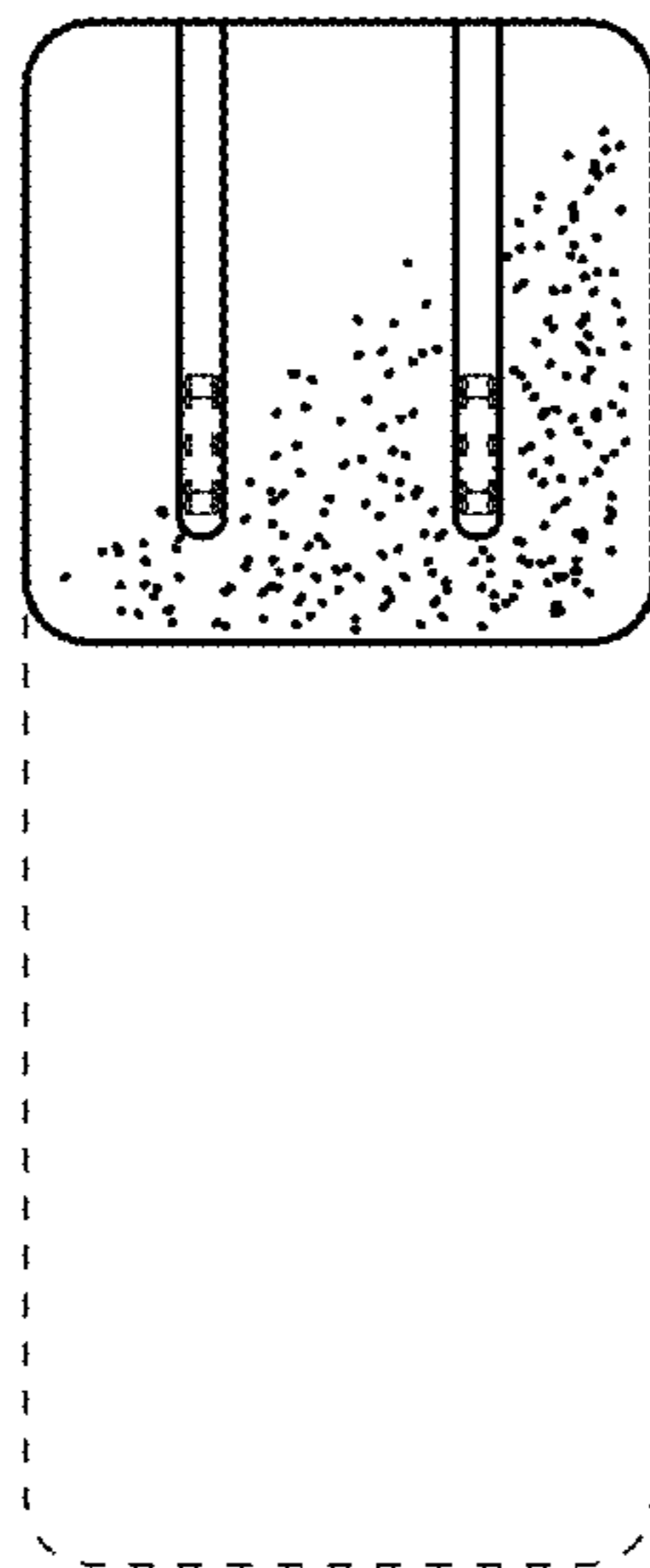
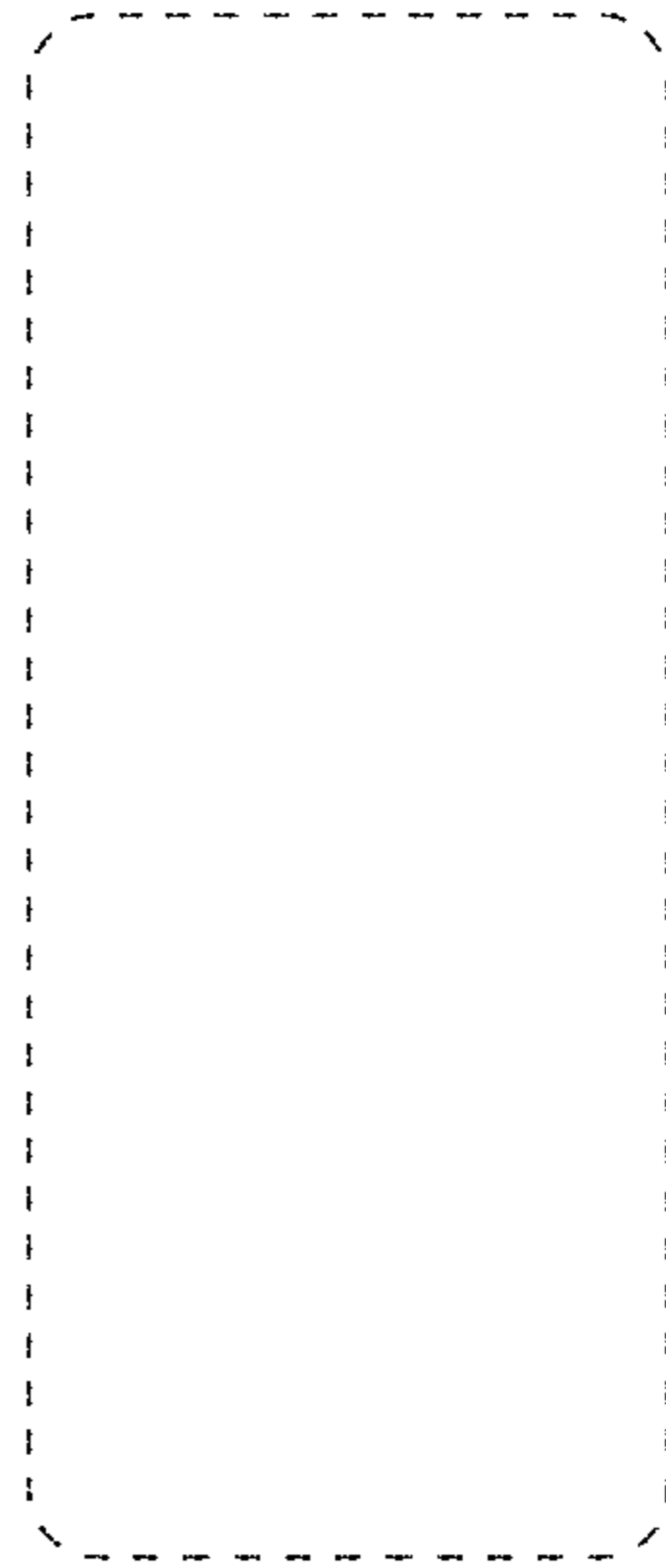
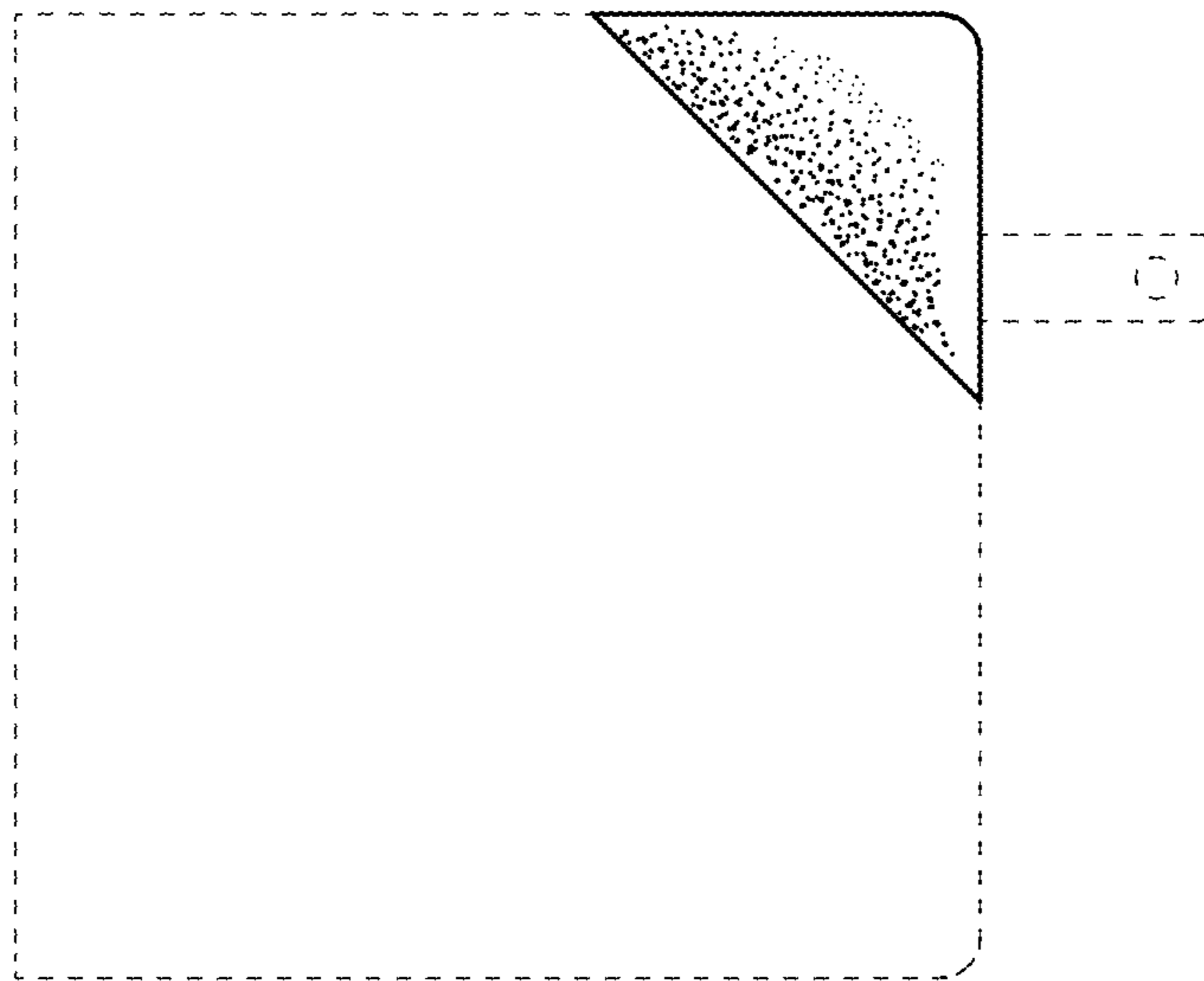


FIG. 2



**FIG. 3**



**FIG. 4**

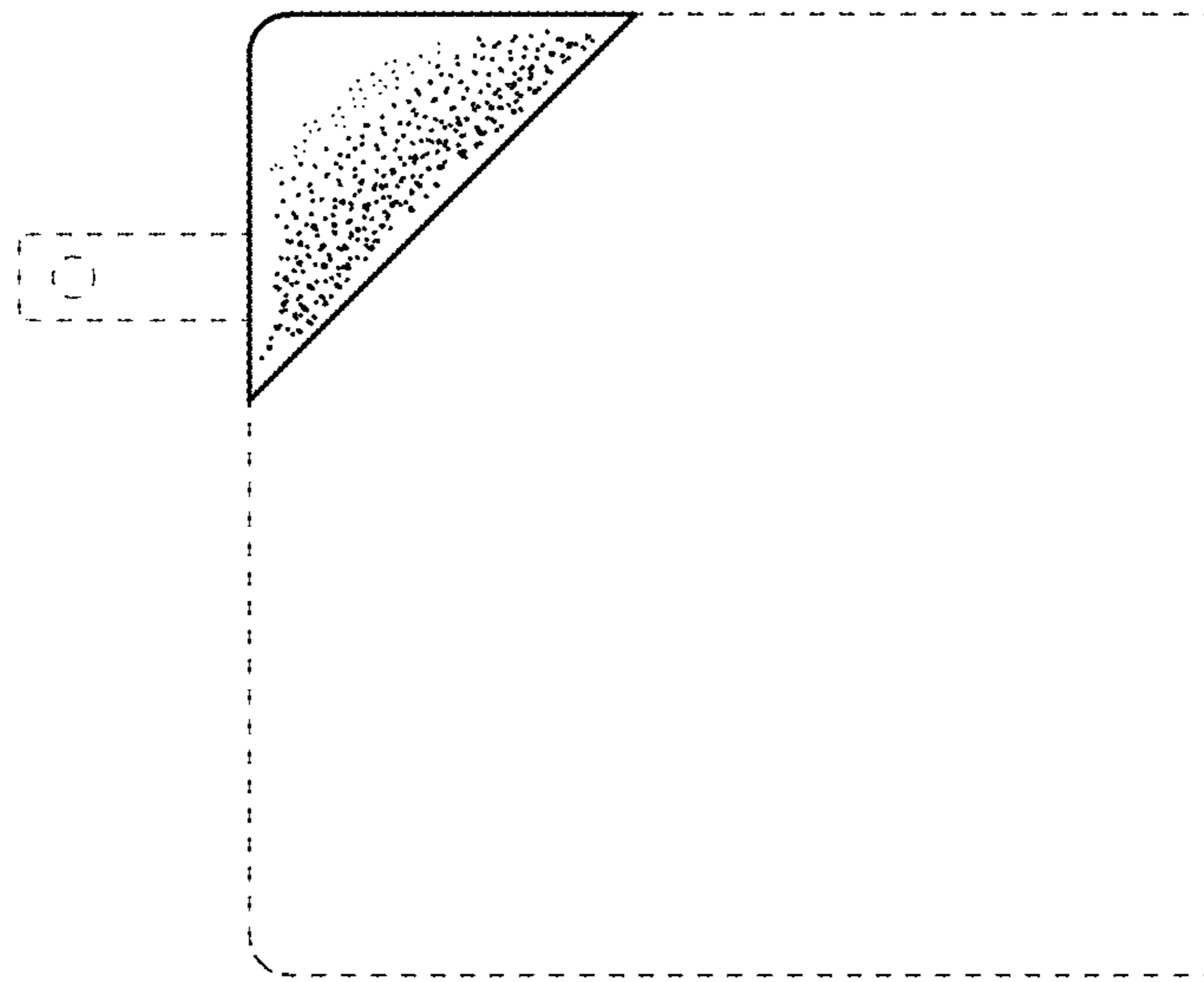


FIG. 5

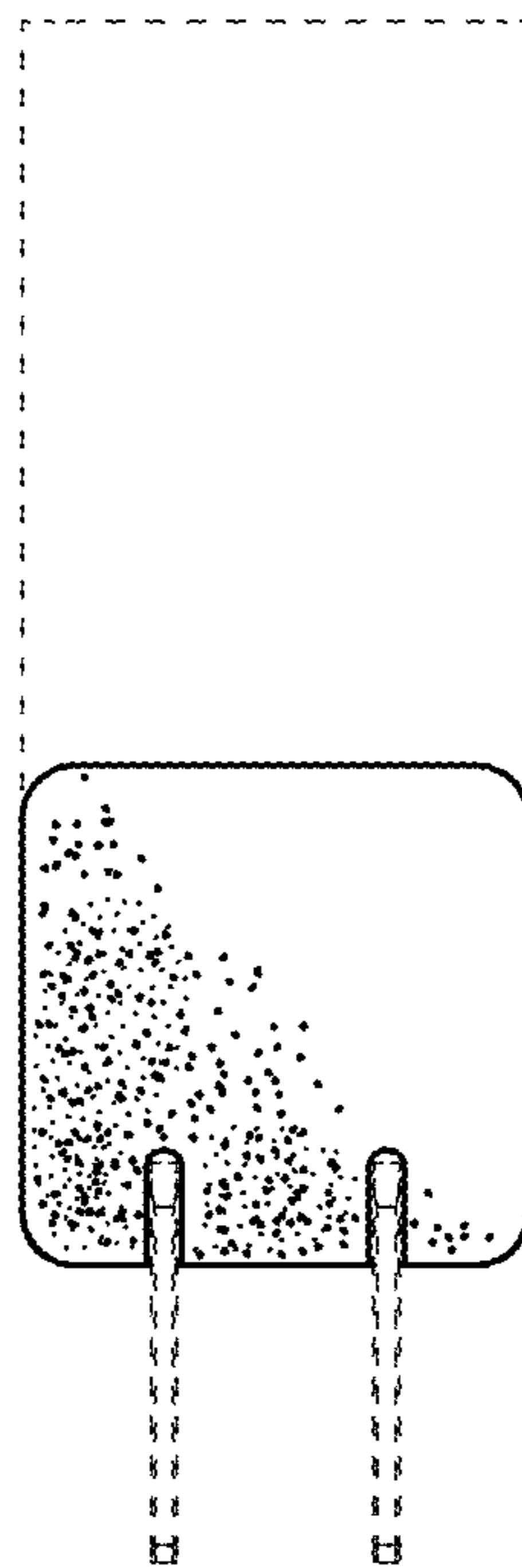


FIG. 6

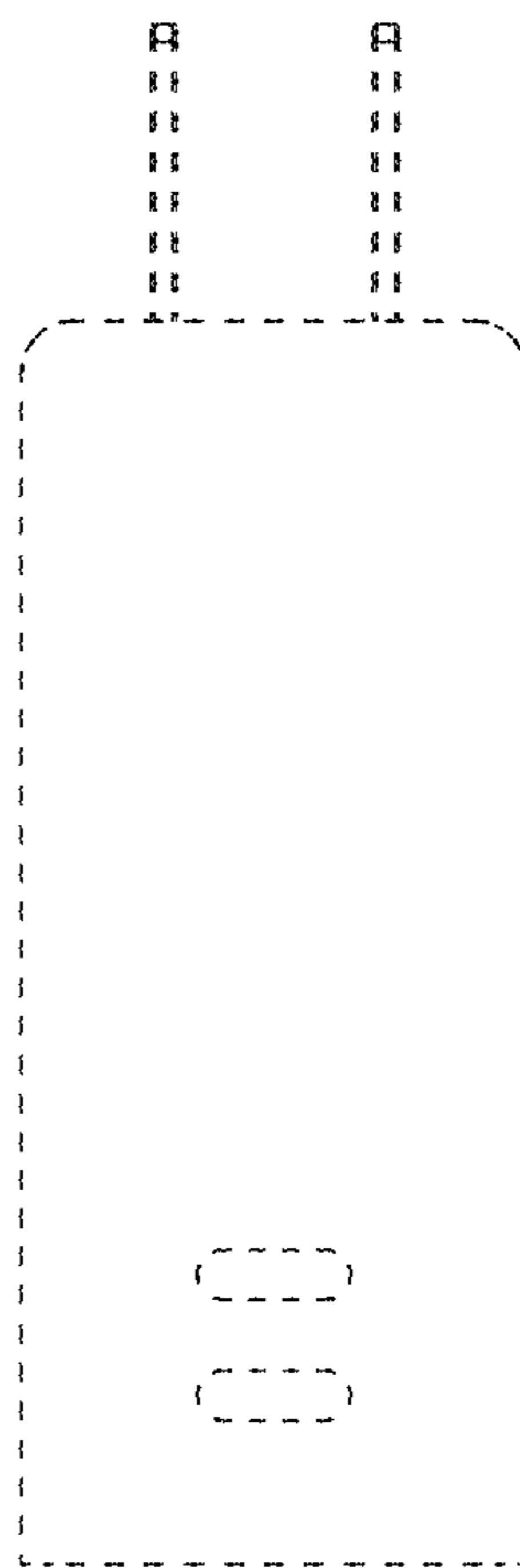


FIG. 7