



US00D808336S

(12) **United States Design Patent** (10) **Patent No.:** **US D808,336 S**
Chien et al. (45) **Date of Patent:** **** Jan. 23, 2018**

(54) **UNINTERRUPTIBLE POWER SUPPLY**

(71) Applicant: **SCHNEIDER ELECTRIC IT CORPORATION**, West Kingston, RI (US)

(72) Inventors: **Yuchen Chien**, Taipei (TW); **Wen Sung Wu**, New Taipei (TW); **Chung-Hui Chen**, New Taipei (TW); **Chia Pin Wu**, Keelung (TW); **Gabriela Isabel Rubio Barraza**, Nuevo Leon (MX)

(73) Assignee: **SCHNEIDER ELECTRIC IT CORPORATION**, West Kingston, RI (US)

(**) Term: **15 Years**

(21) Appl. No.: **29/554,422**

(22) Filed: **Feb. 11, 2016**

(51) **LOC (11) Cl.** **13-02**

(52) **U.S. Cl.**
USPC **D13/110**

(58) **Field of Classification Search**
USPC D13/110, 101, 103, 107, 108; 307/23, 307/150-152; 361/600, 601, 622, 702, 361/703, 730, 796, 809; 363/141, 142; D15/149
CPC H02M 7/00; H02M 7/02; H02M 7/003; H05K 5/00; H05K 5/0017; H05K 7/00; H05K 7/1427; H05K 7/20918; H02J 9/06; H02J 9/061; H02J 7/00; H02J 7/02; H02J 7/0045; H02J 7/0054; H02J 7/0062; H01M 10/488

See application file for complete search history.

(56) **References Cited**

U.S. PATENT DOCUMENTS

D396,688 S * 8/1998 Lin D13/110
D440,937 S 4/2001 Germagian et al.

D456,352 S 4/2002 Germagian et al.
D480,684 S * 10/2003 Ho D13/110
D482,653 S * 11/2003 Cho D13/110
D506,976 S 7/2005 Dechene et al.
D509,184 S 9/2005 Schuttler et al.
D530,276 S 10/2006 Albano et al.
D535,948 S * 1/2007 Lee D13/139.8
D551,620 S * 9/2007 McClelland, II D13/110
D601,956 S 10/2009 Liu et al.
D606,937 S * 12/2009 Brookshire D13/110
D670,243 S * 11/2012 McGuire D13/110

* cited by examiner

Primary Examiner — Derrick Holland

(74) *Attorney, Agent, or Firm* — Lando & Anastasi, LLP

(57) **CLAIM**

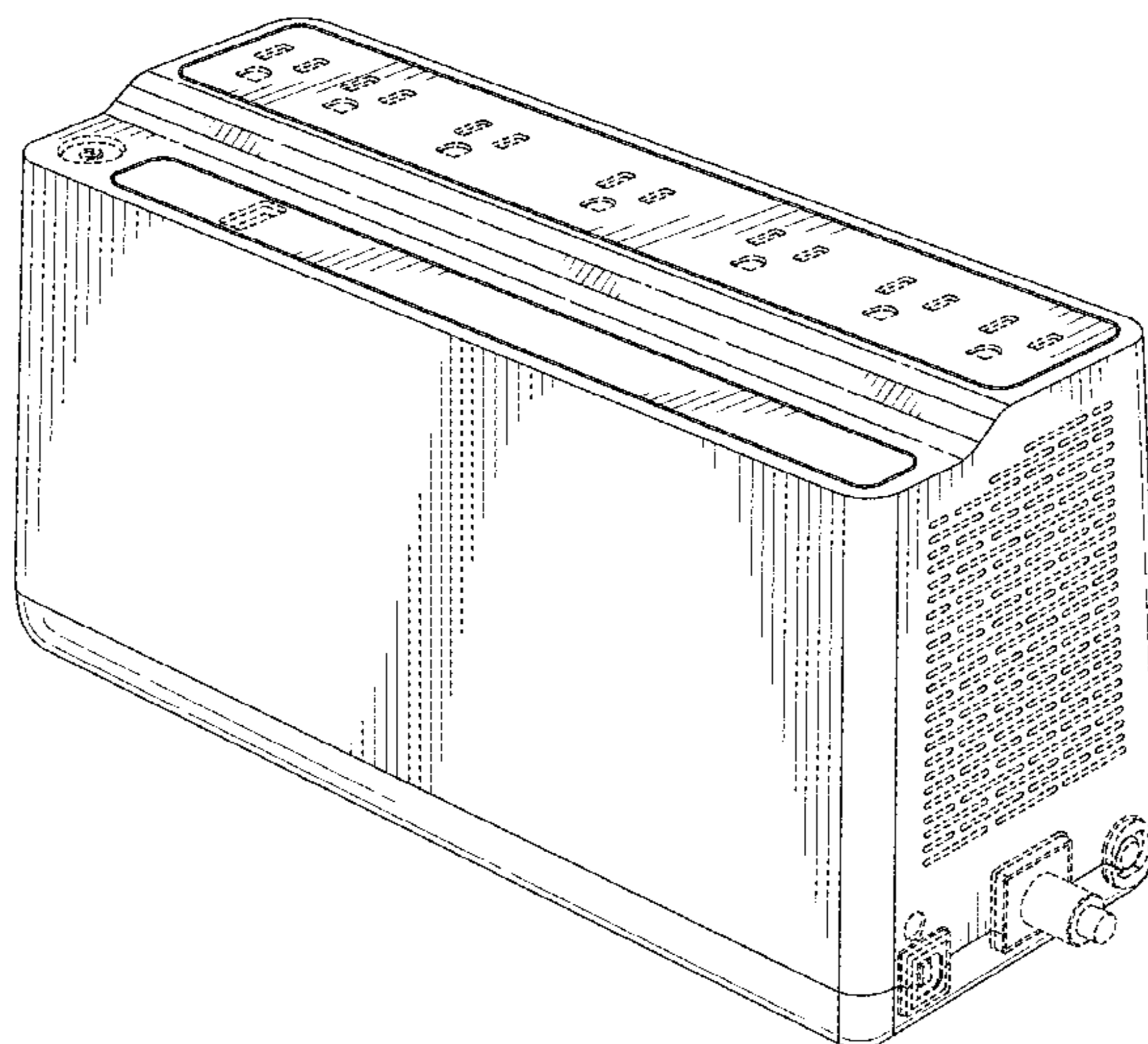
The ornamental design for an uninterruptible power supply, as shown and described.

DESCRIPTION

FIG. 1 is a perspective view of an uninterruptible power supply design of an embodiment of the present disclosure; FIG. 2 is a top plan view thereof; FIG. 3 is a bottom plan view thereof; FIG. 4 is a left side elevational view thereof; FIG. 5 is a right side elevational view thereof; FIG. 6 is a front elevational view thereof; FIG. 7 is a back elevational view thereof; FIG. 8 is a perspective view of an uninterruptible power supply design of another embodiment of the present disclosure; FIG. 9 is a top plan view thereof; FIG. 10 is a bottom plan view thereof; FIG. 11 is a left side elevational view thereof; FIG. 12 is a right side elevational view thereof; FIG. 13 is a front elevational view thereof; and, FIG. 14 back elevational view thereof.

The broken lines shown represent unclaimed subject matter and form no part of the claimed design.

1 Claim, 14 Drawing Sheets



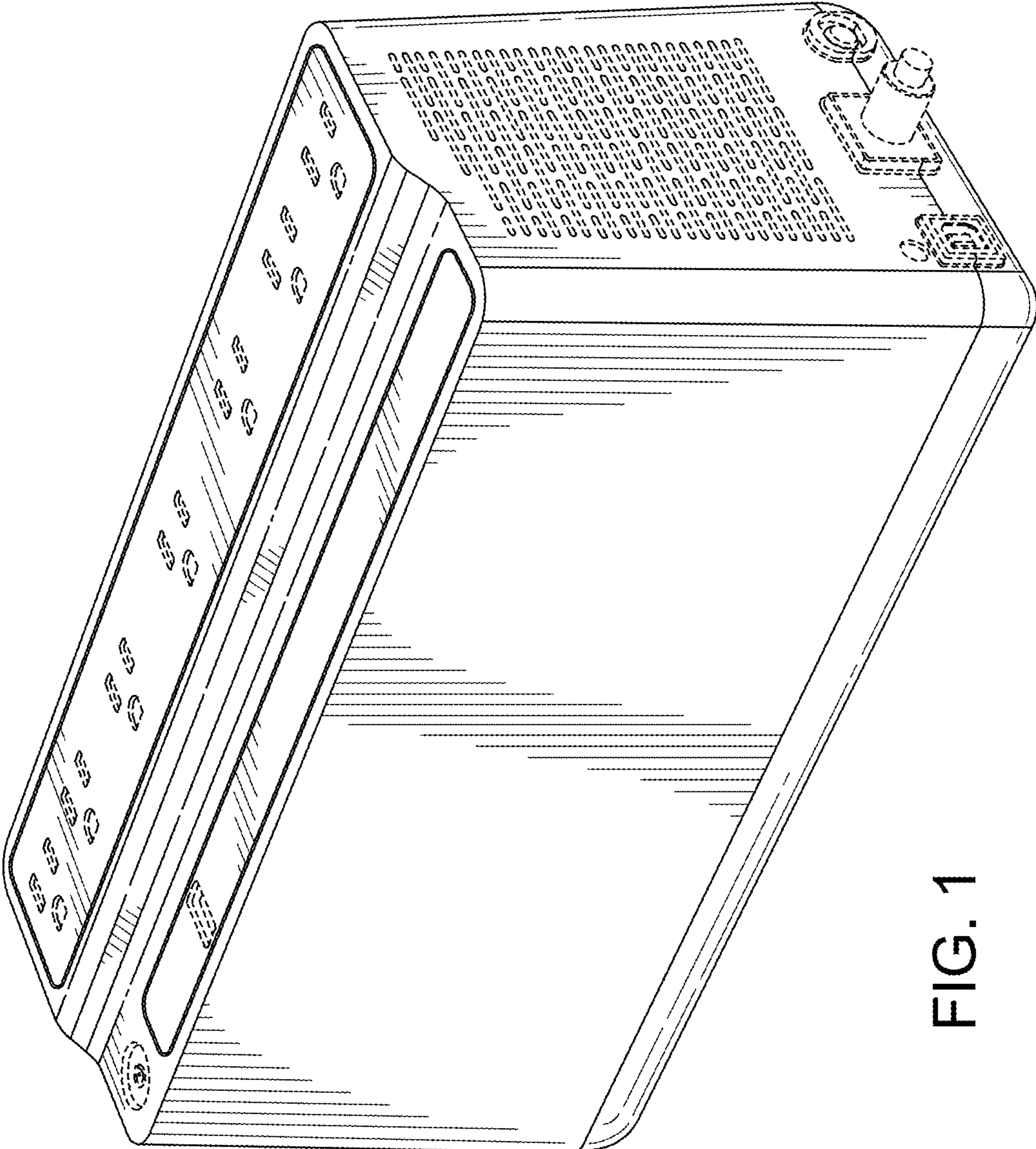


FIG. 1

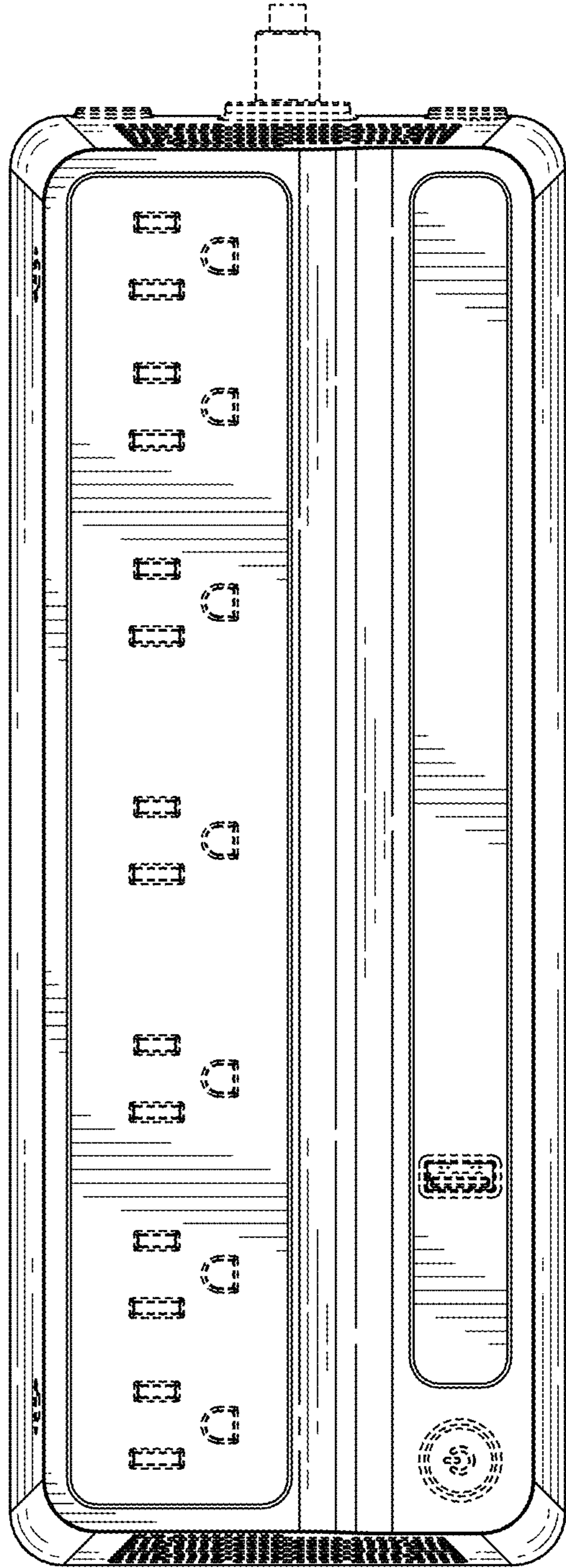


FIG. 2

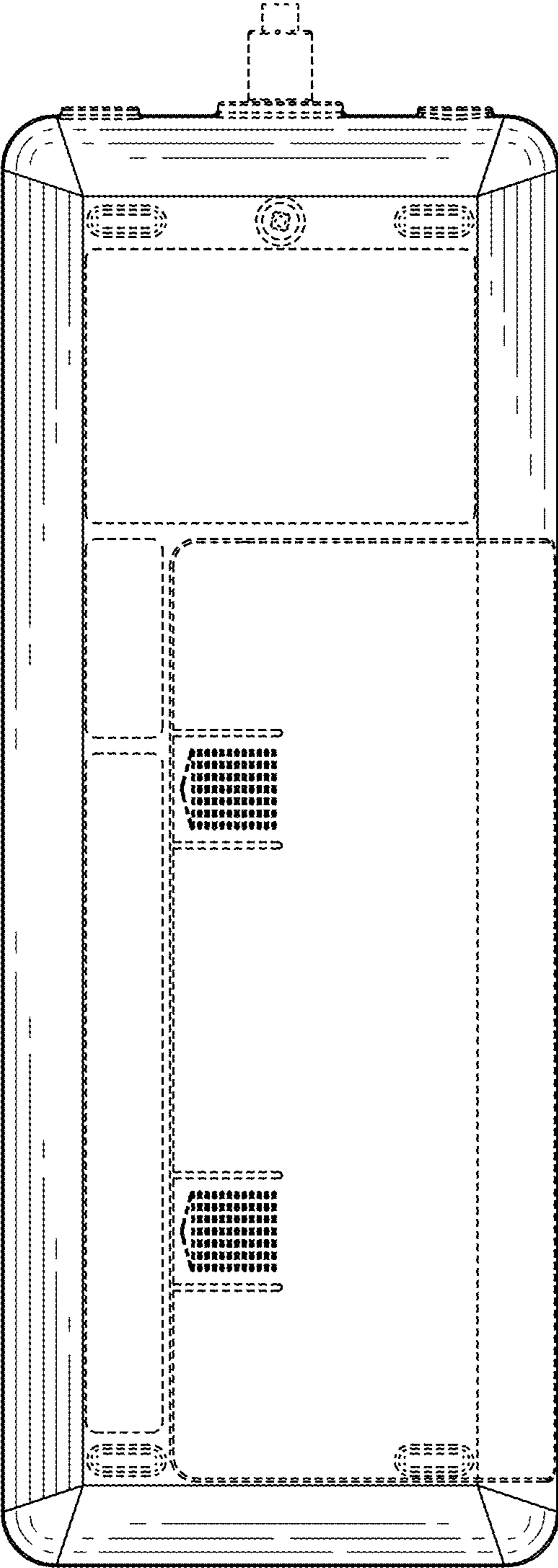


FIG. 3

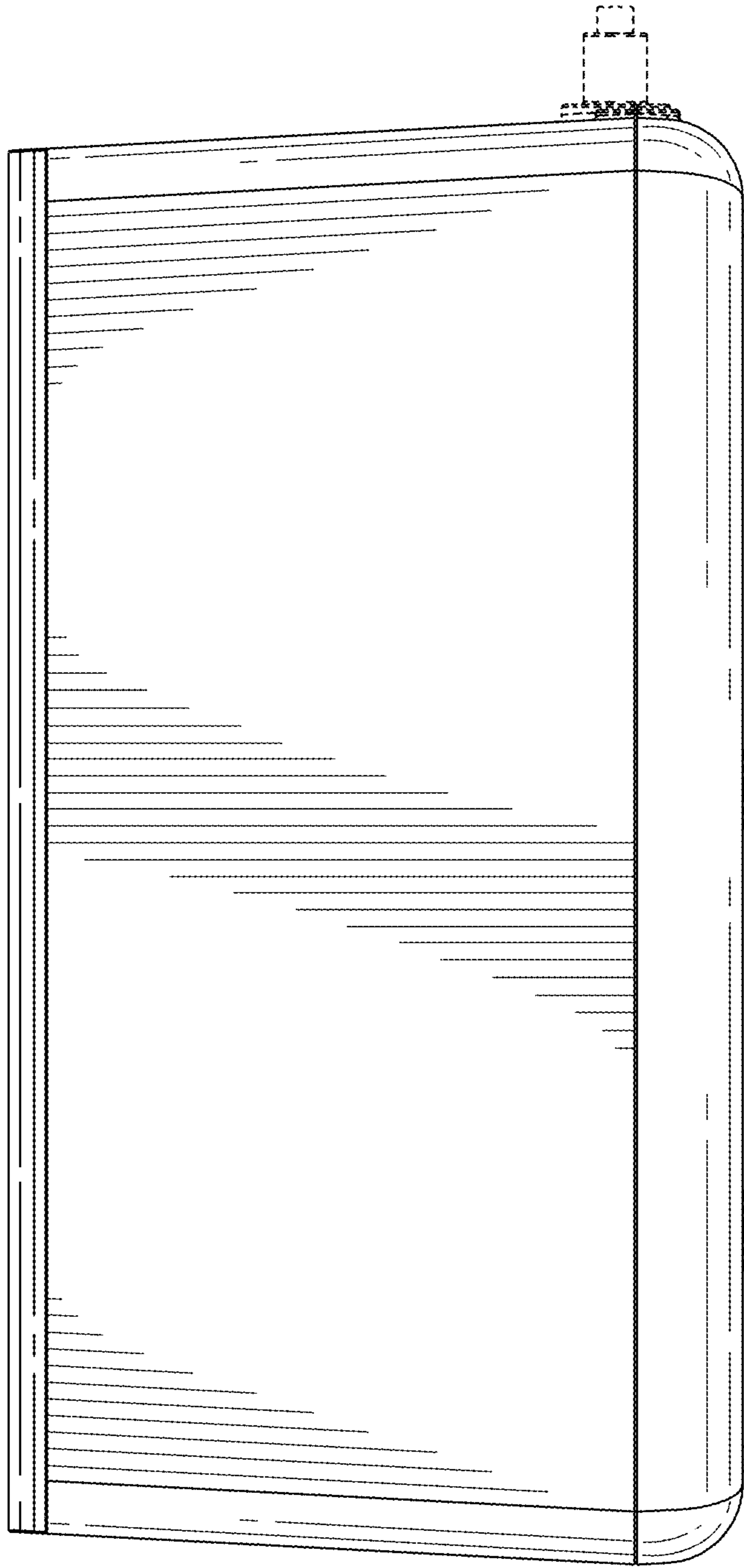


FIG. 4

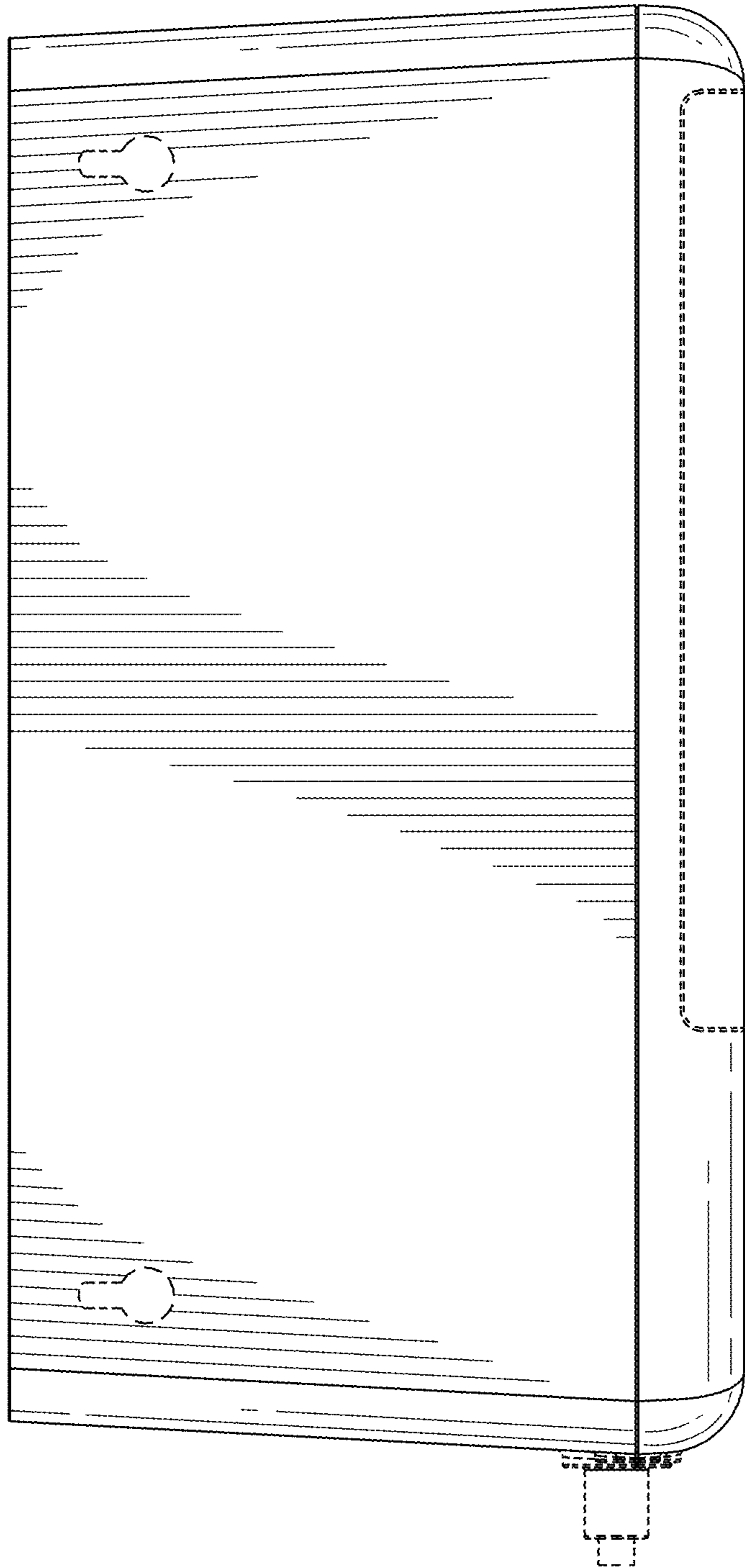


FIG. 5

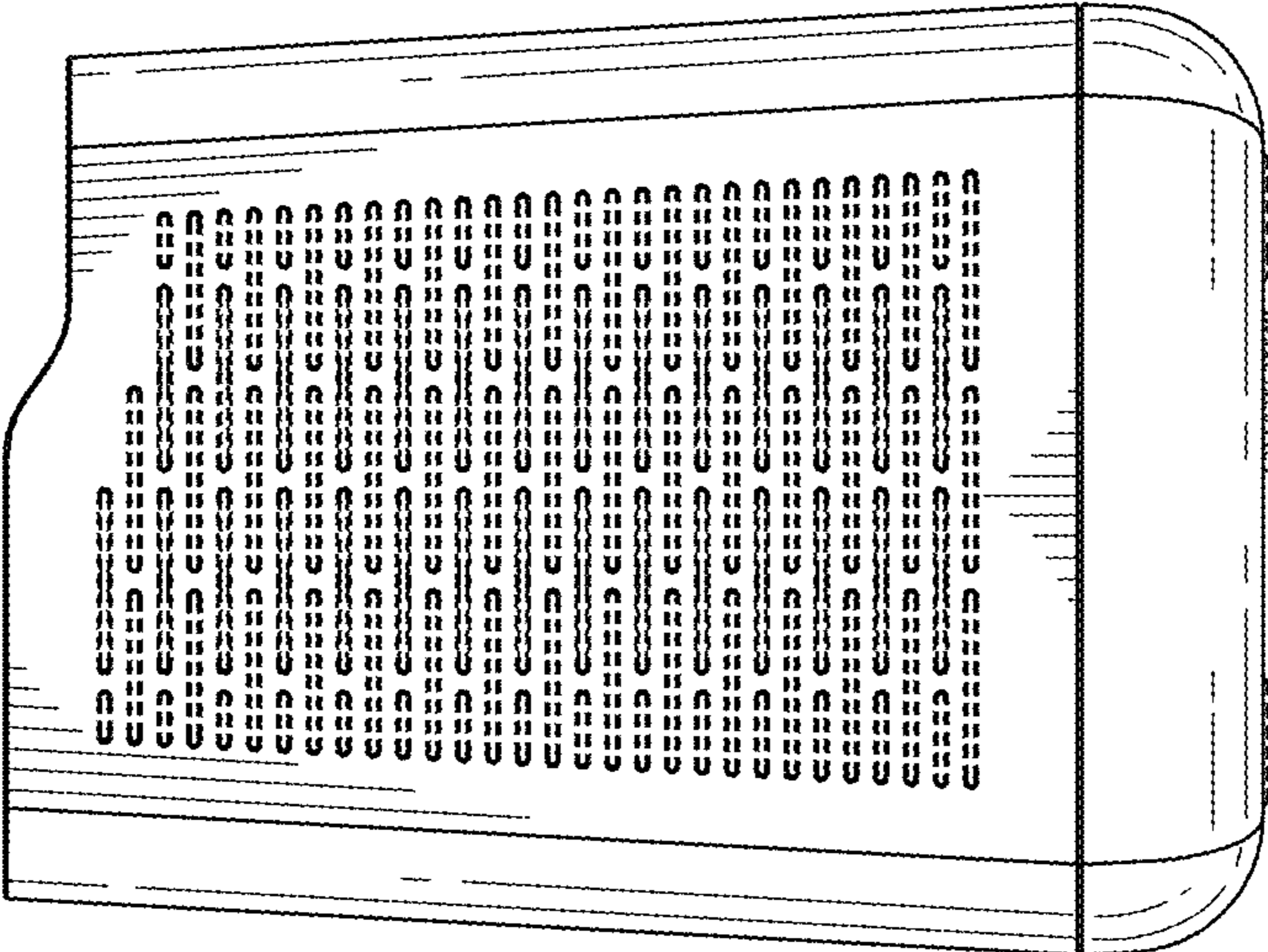


FIG. 6

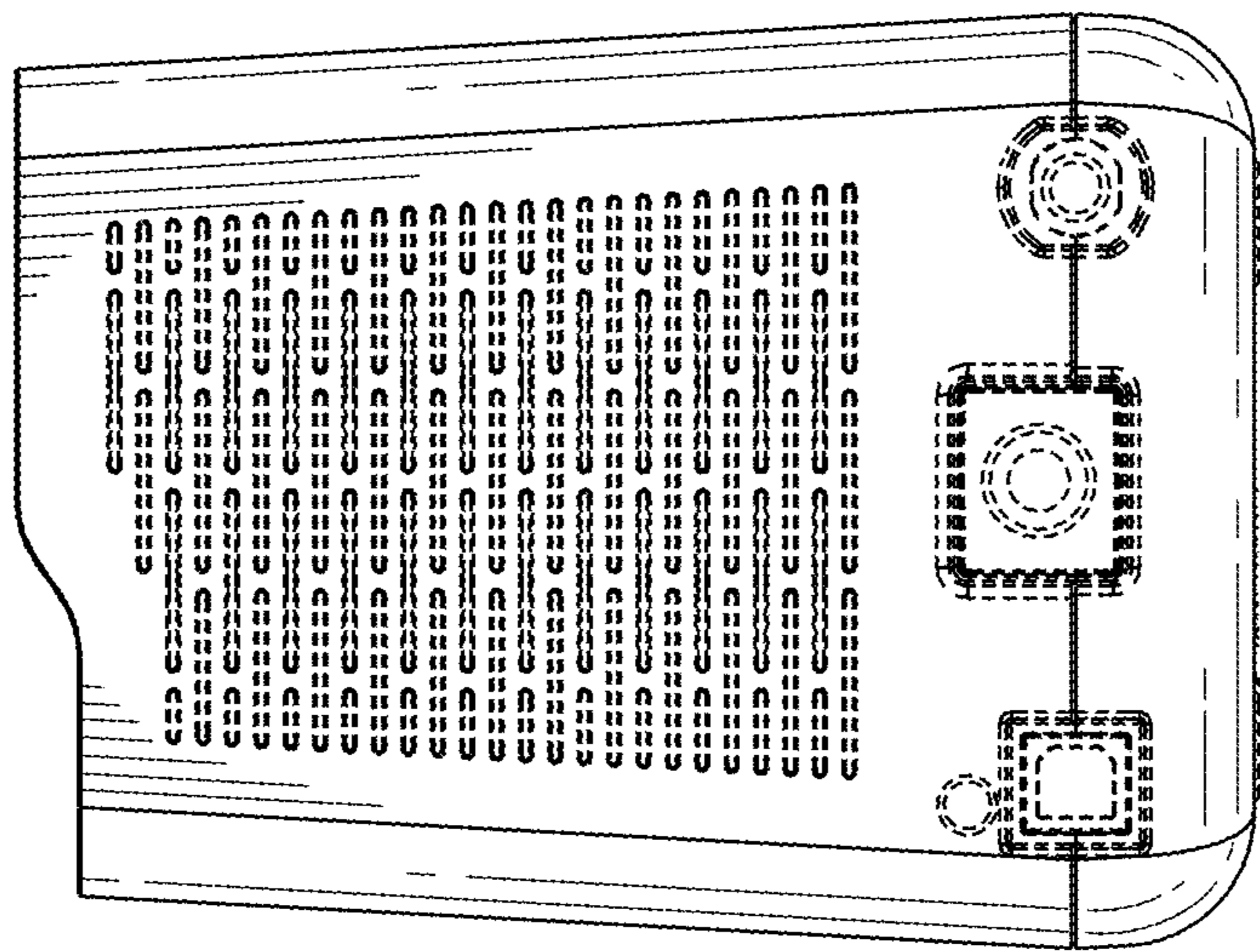


FIG. 7

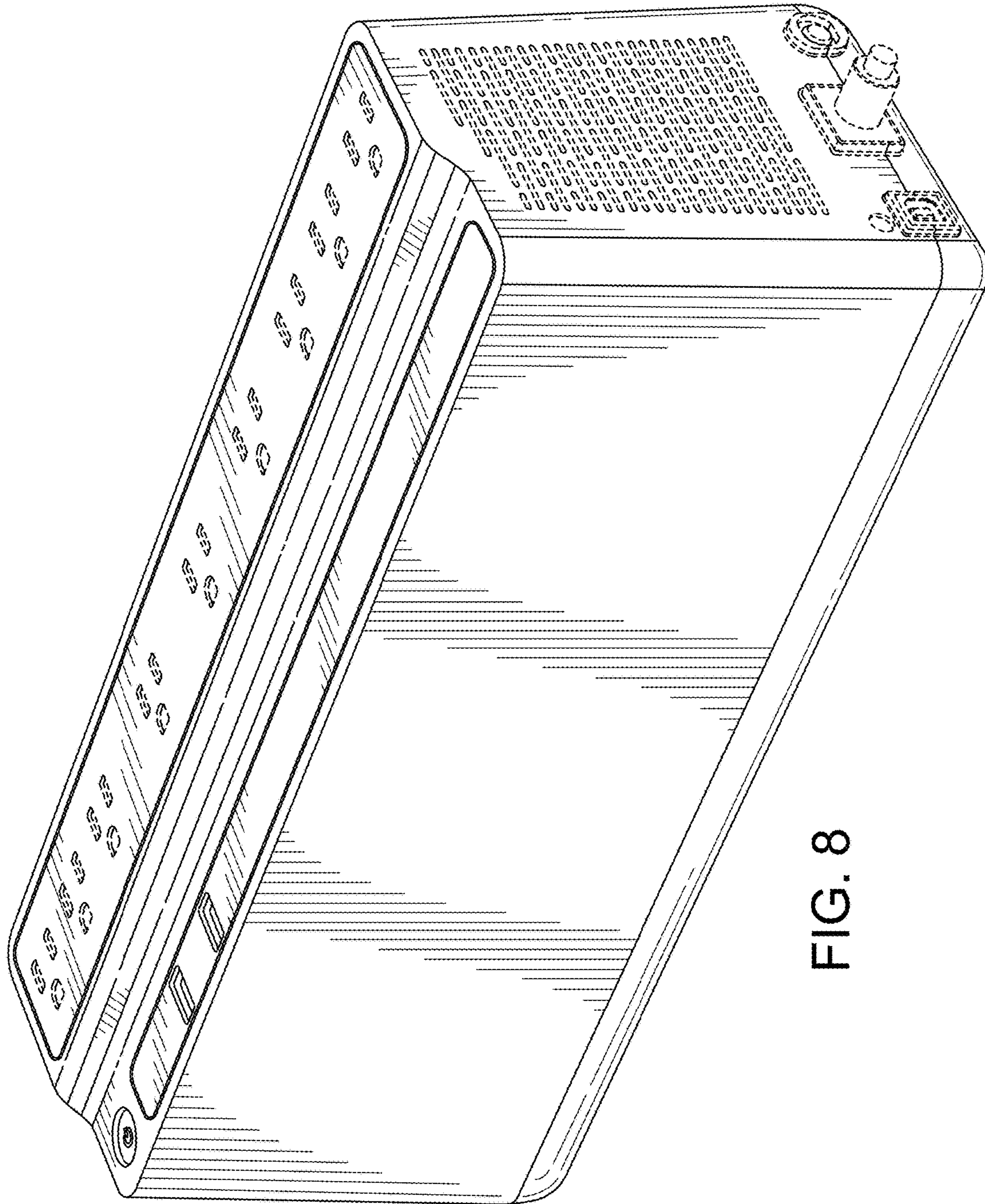


FIG. 8

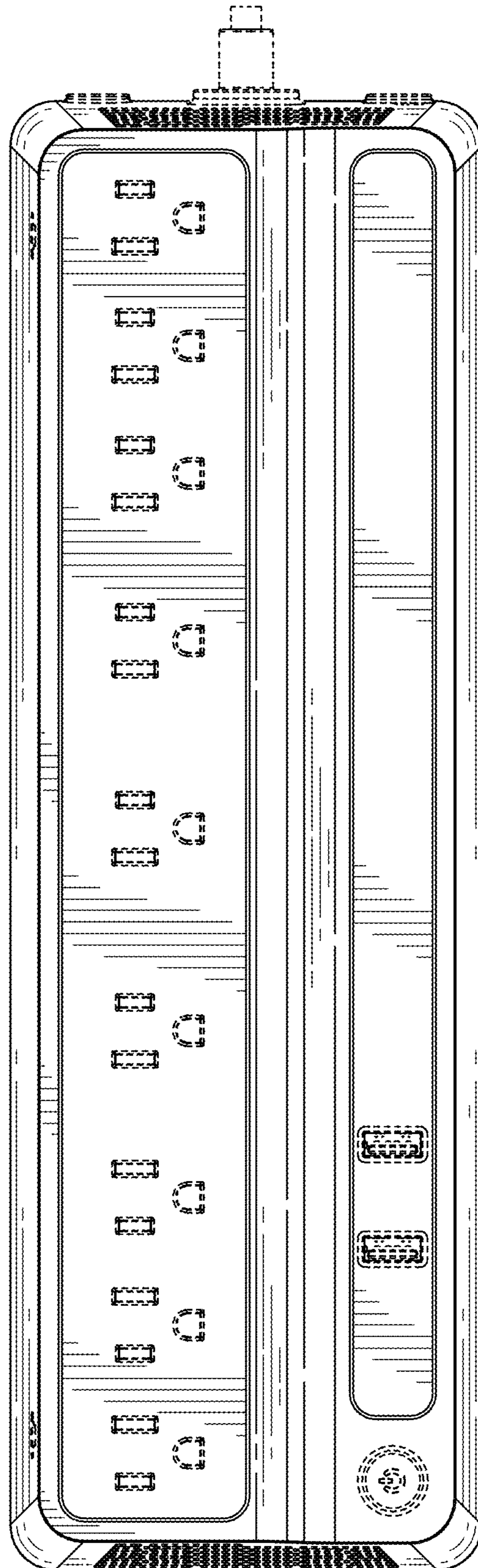


FIG. 9

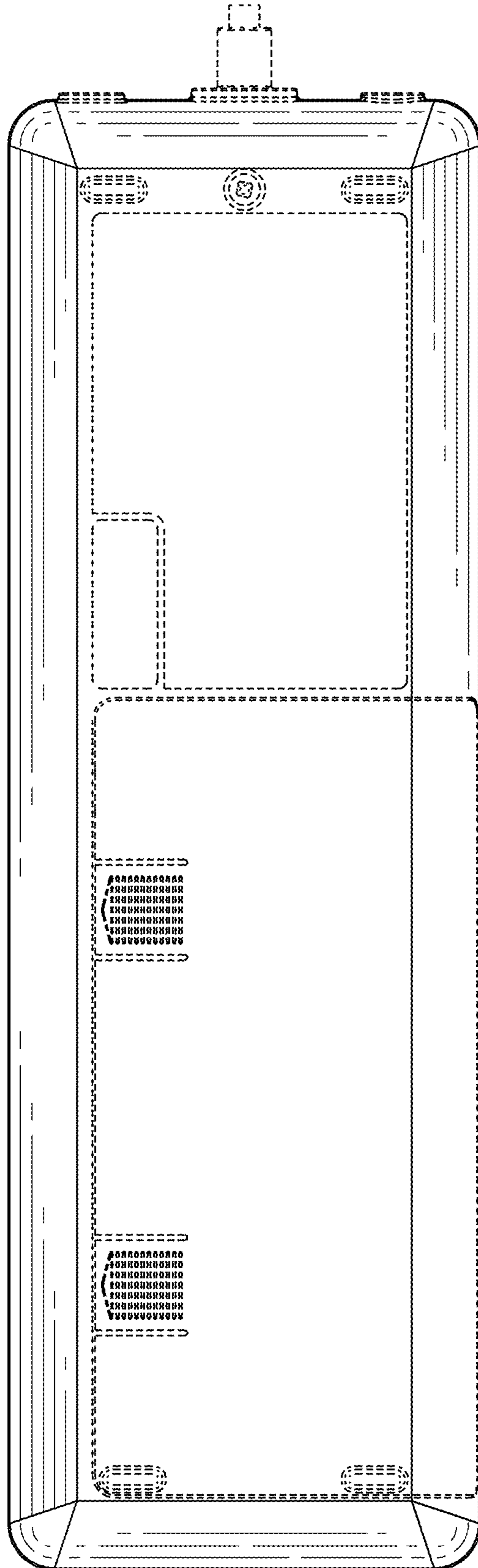


FIG. 10

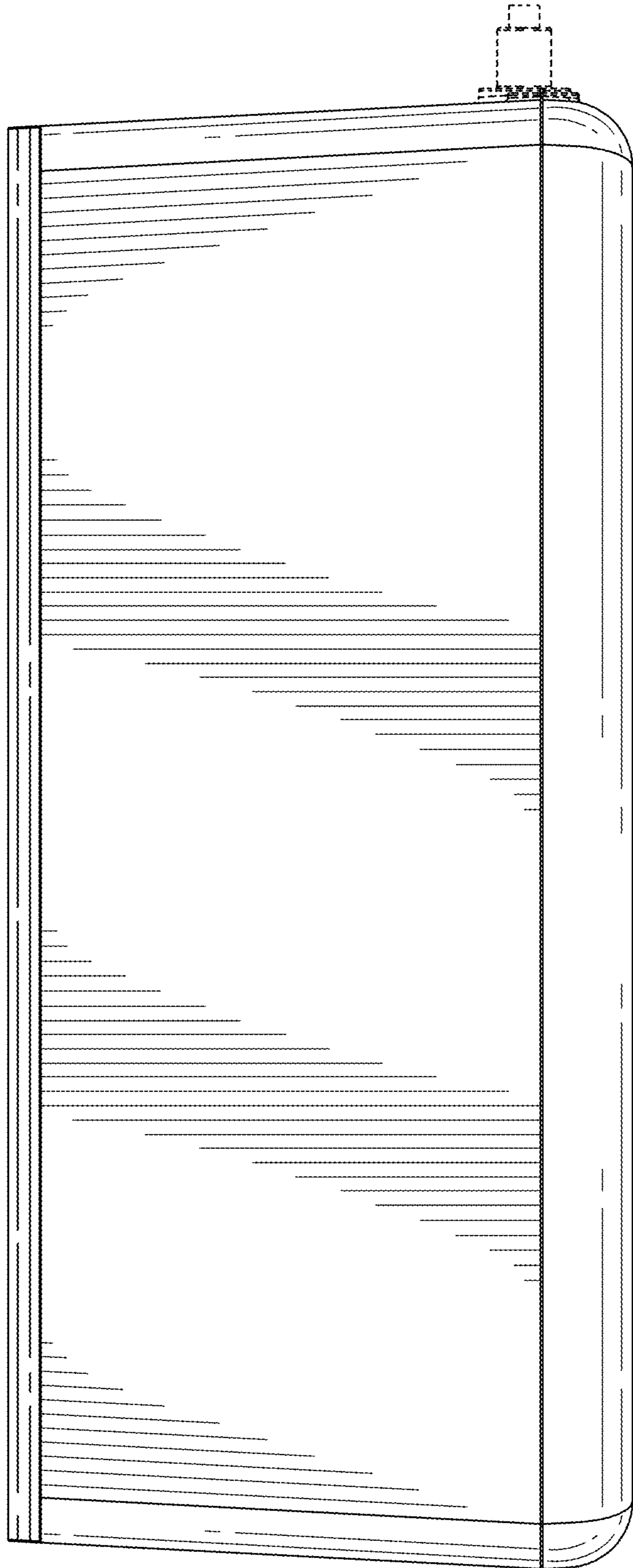


FIG. 11

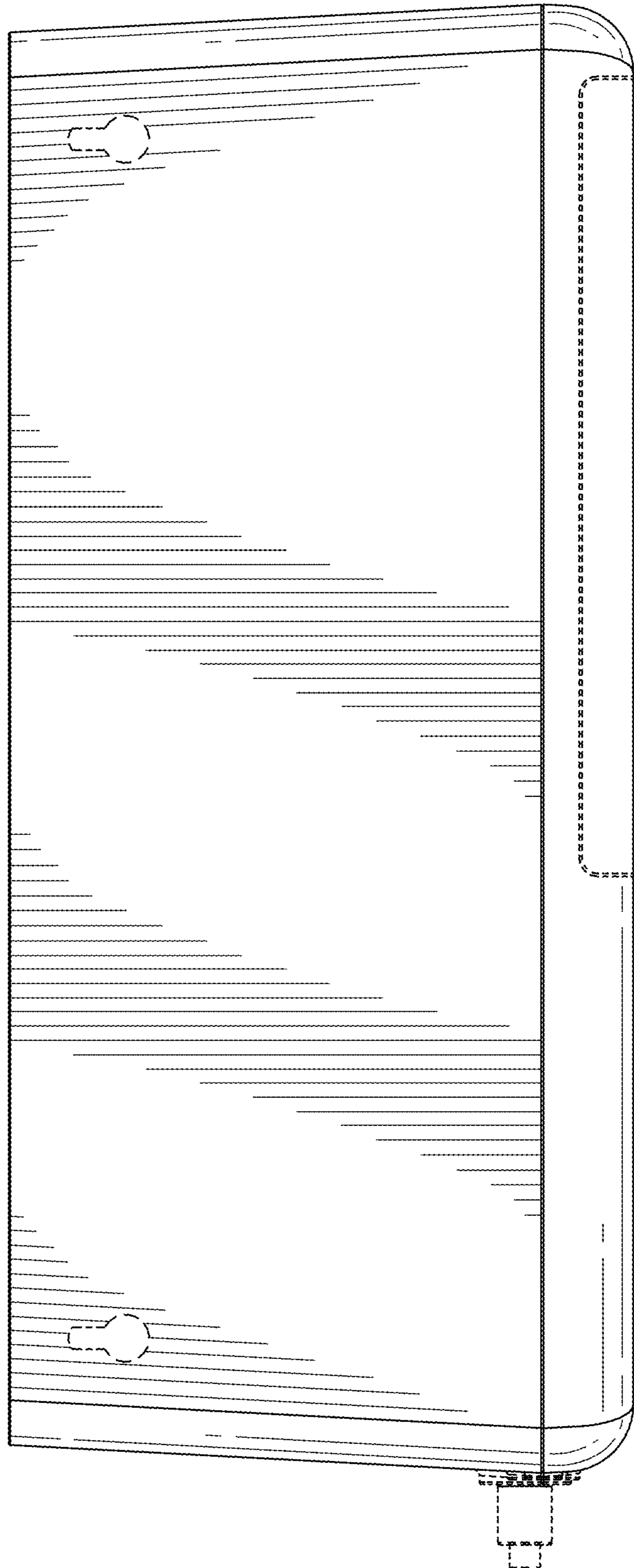


FIG. 12

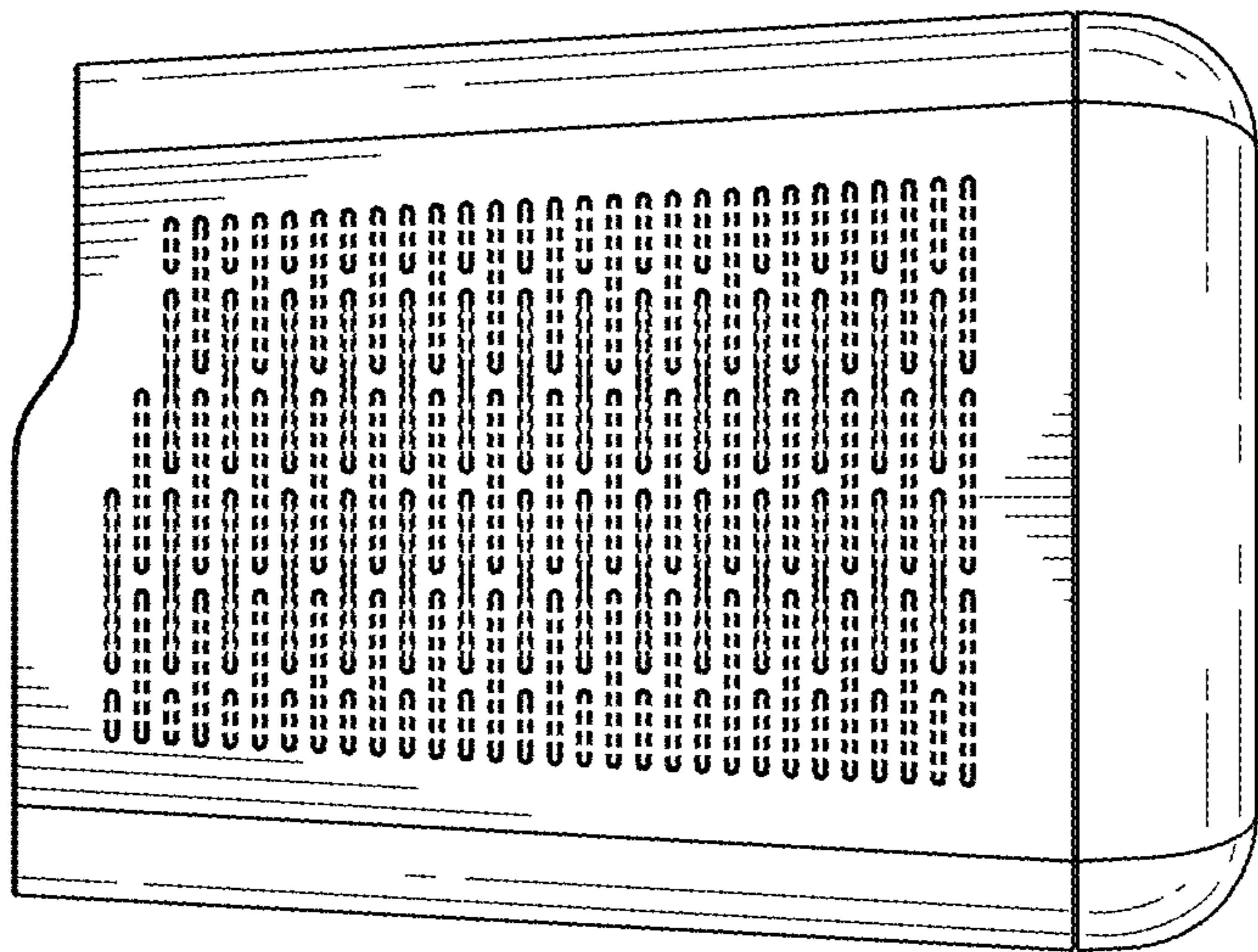


FIG. 13

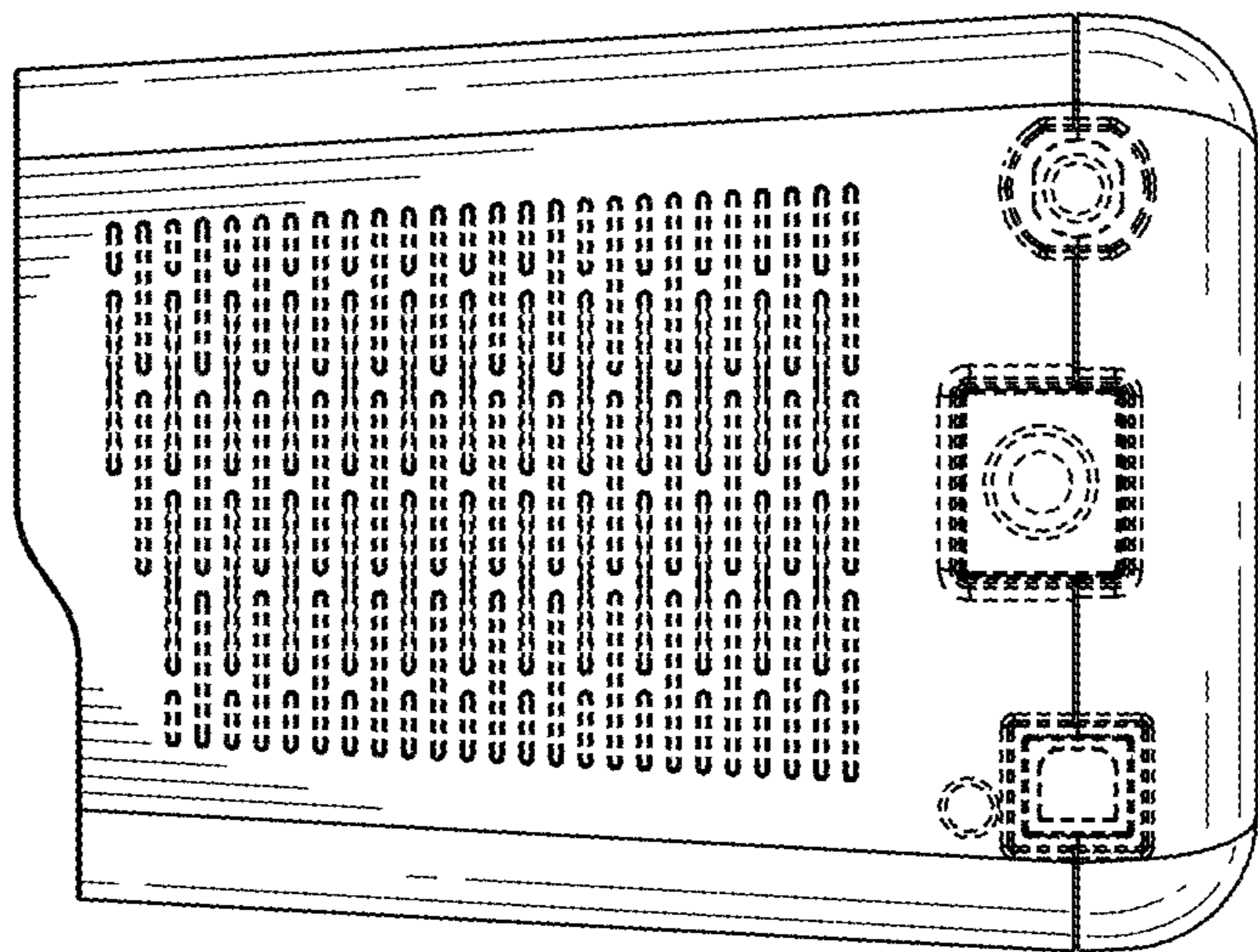


FIG. 14