



US00D808334S

(12) **United States Design Patent**
Dingle

(10) **Patent No.:** **US D808,334 S**

(45) **Date of Patent:** **** Jan. 23, 2018**

(54) **GAME CONTROLLER POWER PACK**

(71) Applicant: **Performance Designed Products LLC**,
Burbank, CA (US)

(72) Inventor: **Christopher K. Dingle**, Los Angeles,
CA (US)

(73) Assignee: **Performance Designed Products LLC**,
Burbank, CA (US)

(**) Term: **15 Years**

(21) Appl. No.: **29/558,591**

(22) Filed: **Mar. 18, 2016**

(51) **LOC (11) Cl.** **13-02**

(52) **U.S. Cl.**
USPC **D13/103**

(58) **Field of Classification Search**
USPC D13/102-103, 118-119, 107-110, 184,
D13/104-106, 199

CPC Y02E 60/12; Y02E 60/122; Y02E 60/124;
Y02E 60/50; H01M 2/02; H01M 2/022;
H01M 2/0202; H01M 2/0207; H01M
2/0212; H01M 2/1061; H01M 2/1022;
H01M 2/1055; H01M 2/1066; H01M
2/105; H01M 2/204; H01M 10/4257;
H01M 10/0436; H01M 10/48

See application file for complete search history.

(56) **References Cited**

U.S. PATENT DOCUMENTS

D382,536 S * 8/1997 Amero, Jr. D13/103
D443,584 S * 6/2001 Breyton D13/103

D574,326 S * 8/2008 Lim D13/110
D618,167 S * 6/2010 Tiffe D13/103
D659,636 S * 5/2012 Okuda D13/108
D694,708 S * 12/2013 Kim D13/108
D709,824 S * 7/2014 Evans D13/103
D752,509 S * 3/2016 Lin D13/103
D752,510 S * 3/2016 Lin D13/103
D769,814 S * 10/2016 Lin D13/103
D790,454 S * 6/2017 Lee D13/103

* cited by examiner

Primary Examiner — Rosemary K Tarcza

(74) *Attorney, Agent, or Firm* — Sheppard, Mullin,
Richter & Hampton LLP; Daniel Yannuzzi

(57) **CLAIM**

I claim an ornamental design for a game controller power pack, as shown and described.

DESCRIPTION

FIG. 1 is a front perspective view of a game controller power pack;

FIG. 2 is a front view of a game controller power pack;

FIG. 3 is a rear view of a game controller power pack;

FIG. 4 is a side view of a game controller power pack;

FIG. 5 is a side view of a game controller power pack;

FIG. 6 is a top view of a game controller power pack;

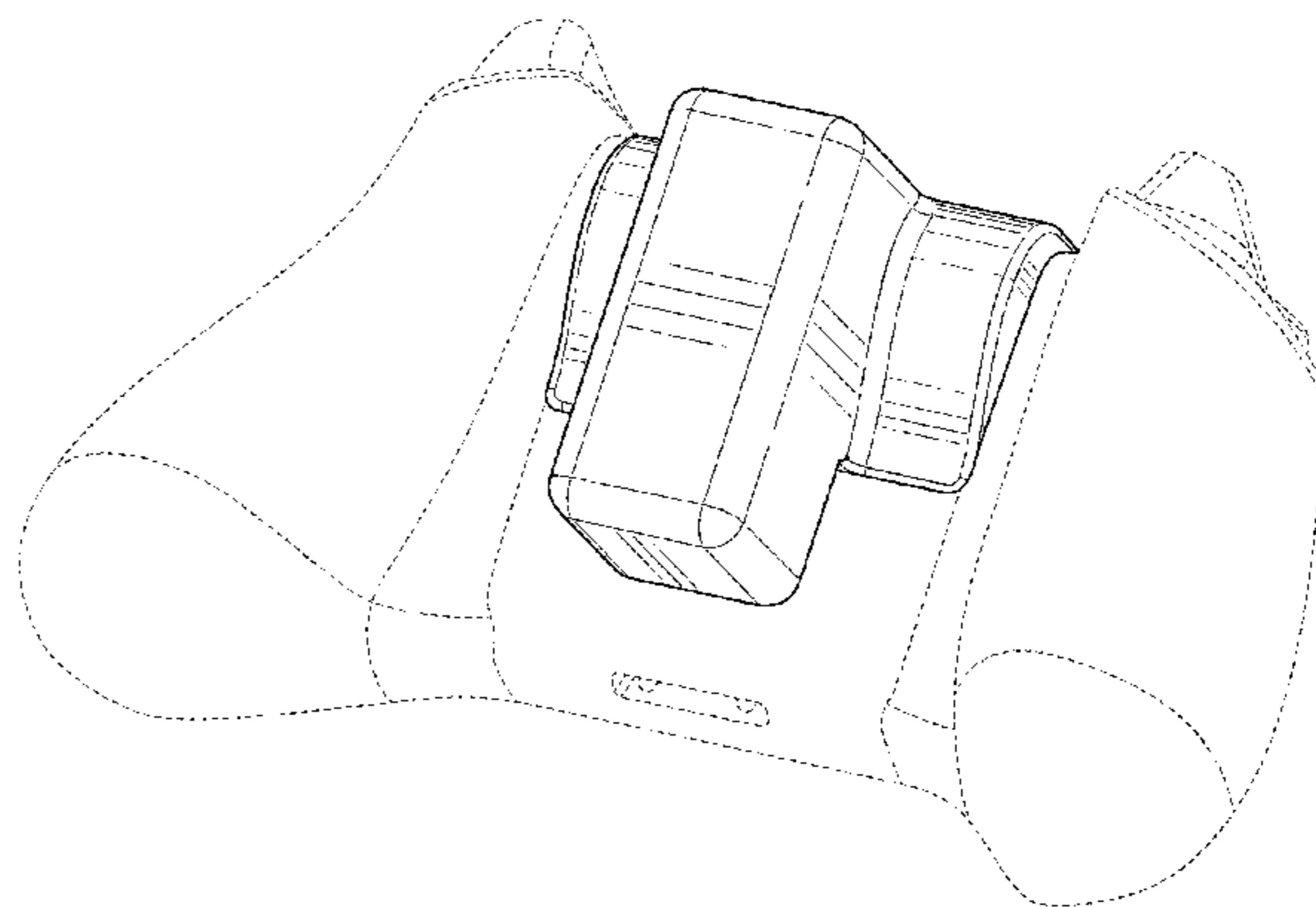
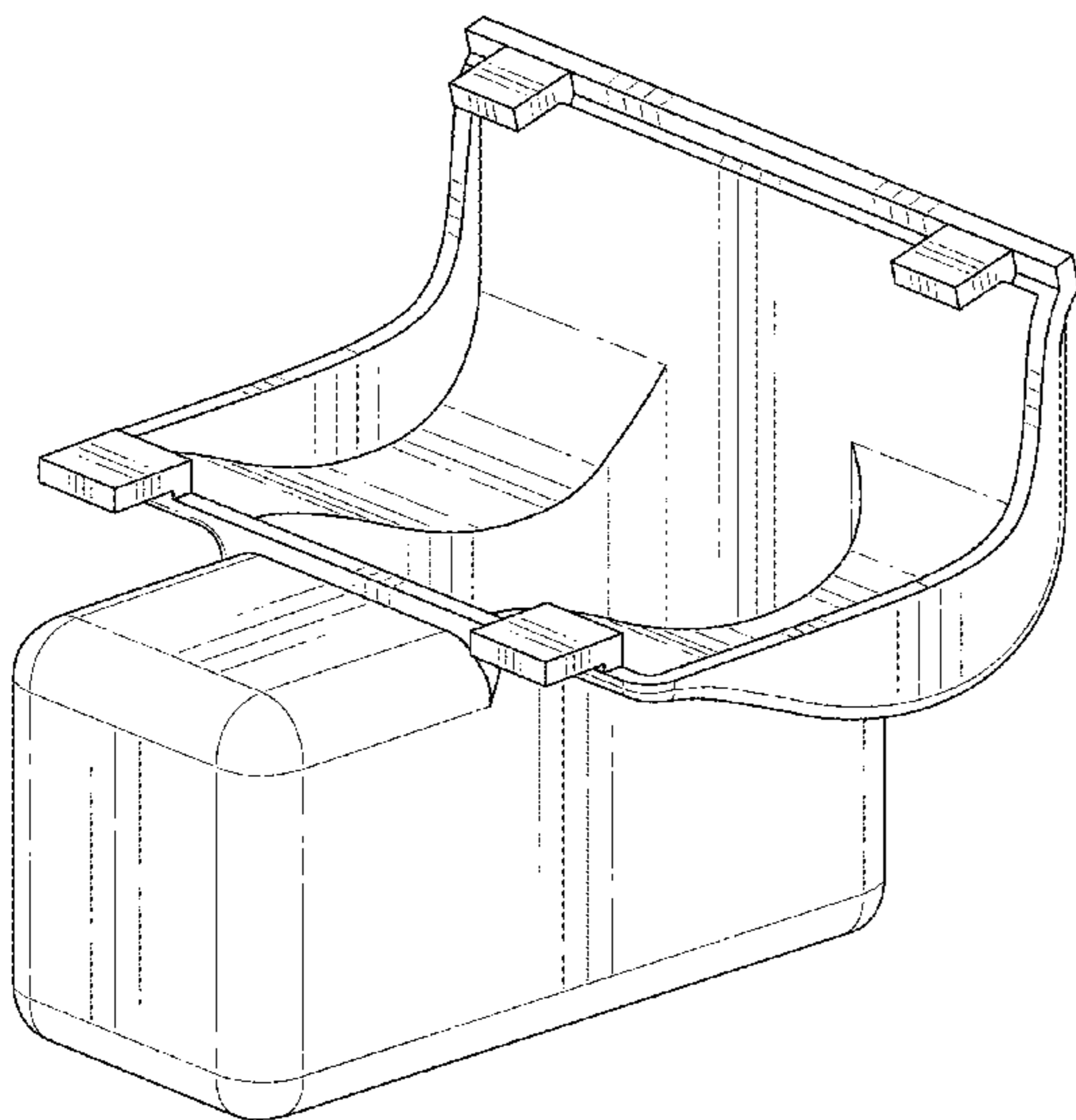
FIG. 7 is a bottom view of a game controller power pack;

FIG. 8 is a rear perspective view of a game controller power pack, with a game controller shown in broken lines; and,

FIG. 9 is a front perspective view of a game controller power pack, with a game controller shown in broken lines.

The broken lines shown in the drawings are included for the purpose of illustrating environmental structure and form no part of the claimed design.

1 Claim, 6 Drawing Sheets



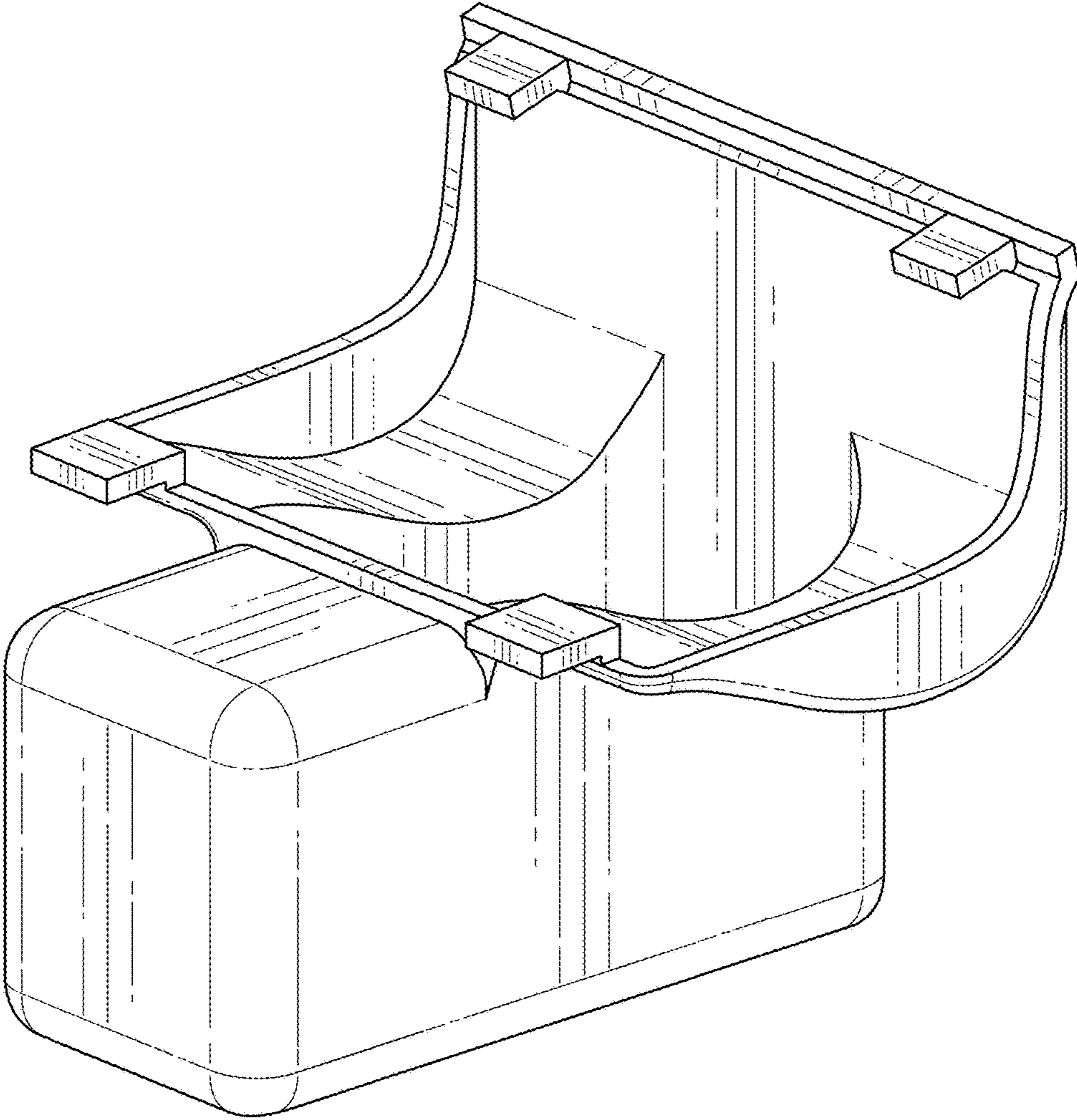


FIG. 1

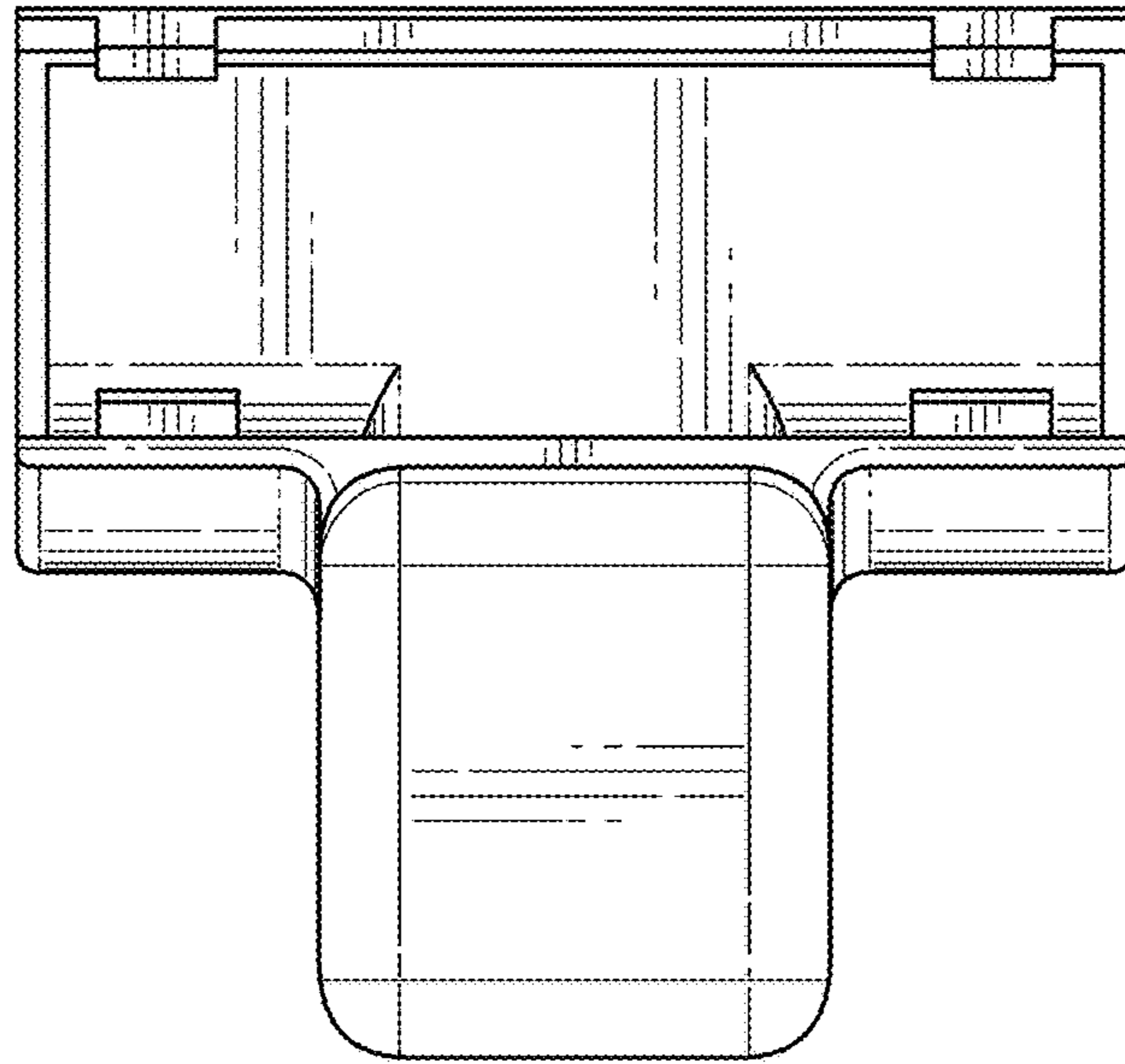


FIG. 2

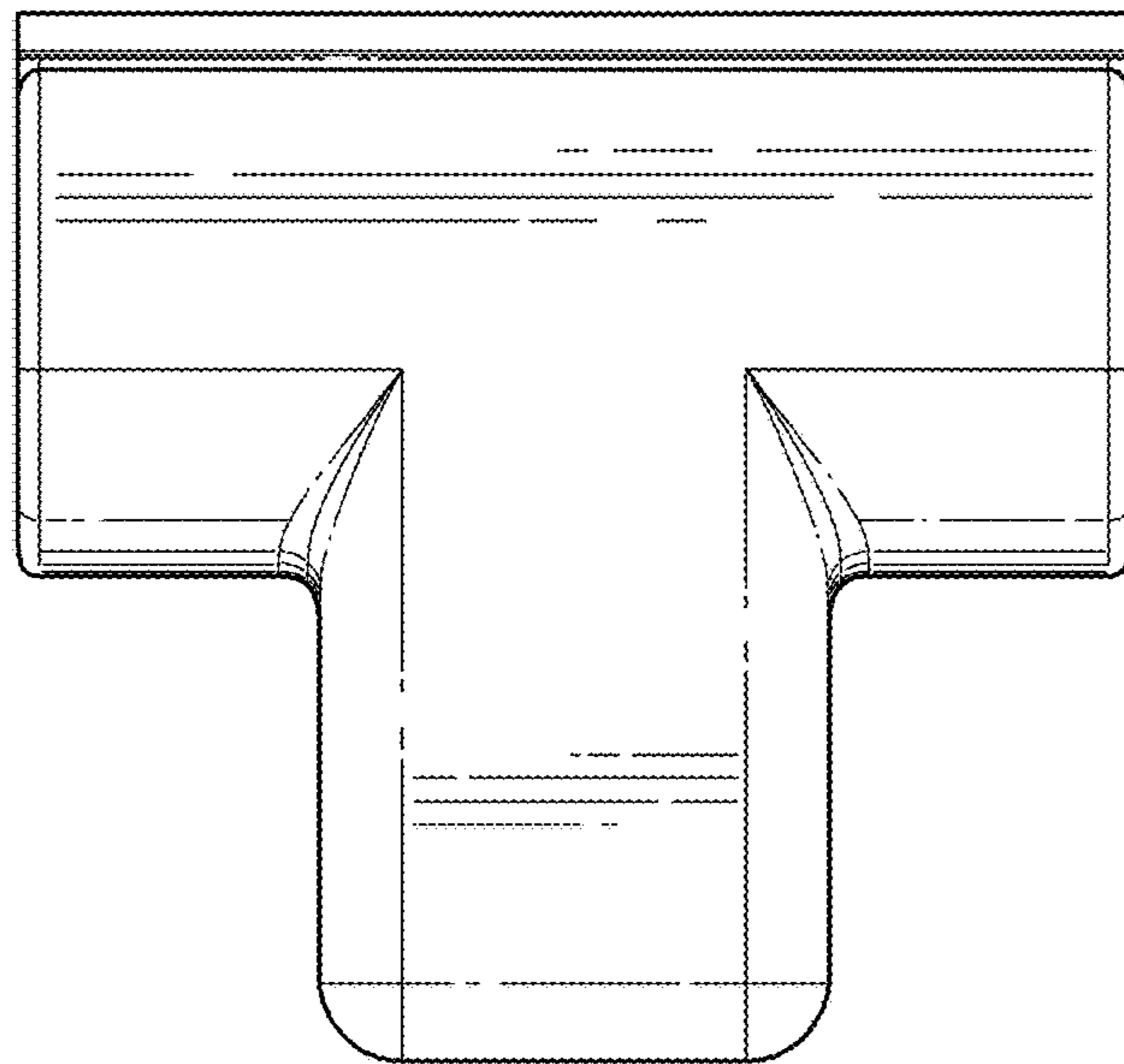


FIG. 3

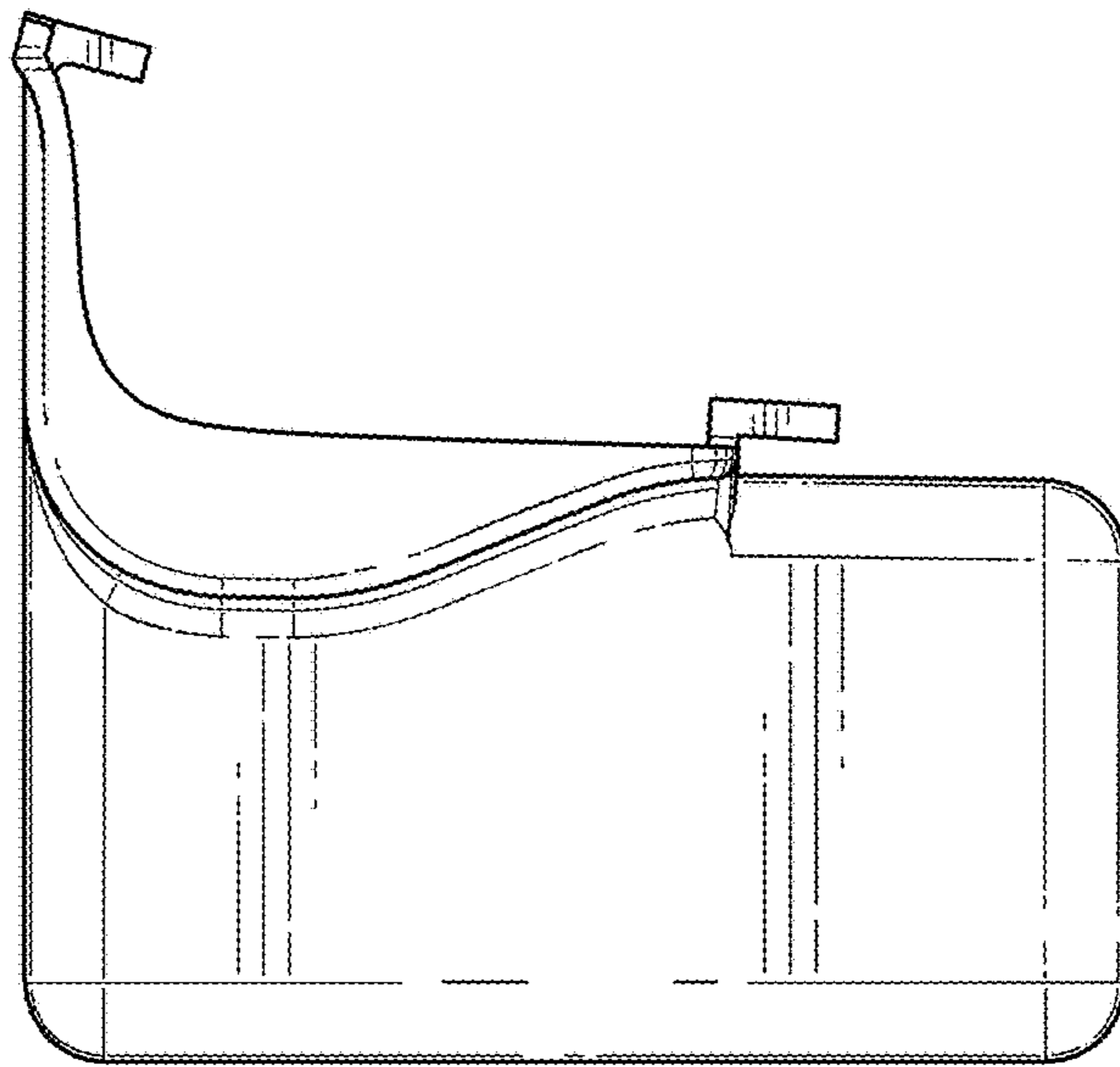


FIG. 4

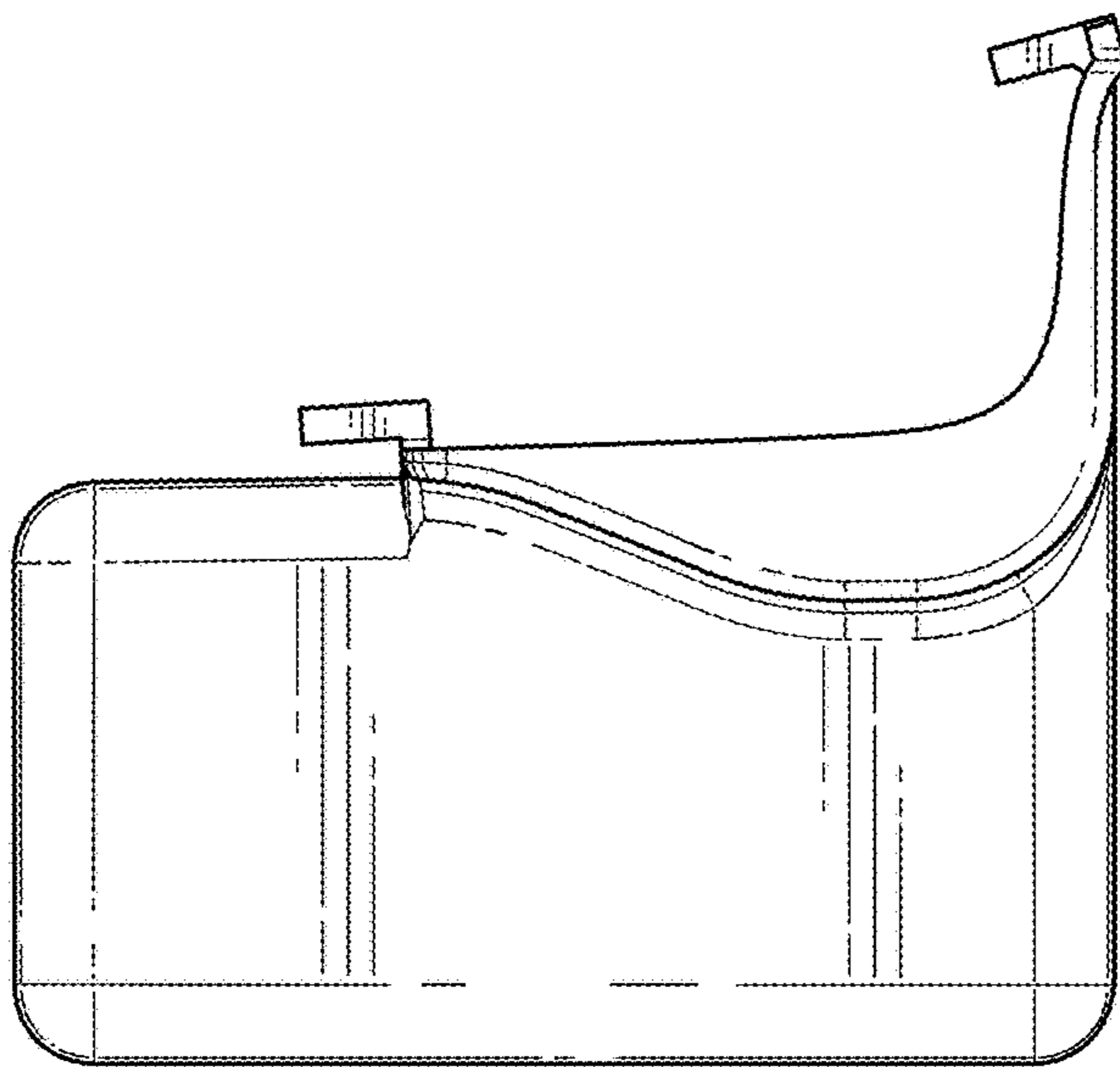


FIG. 5

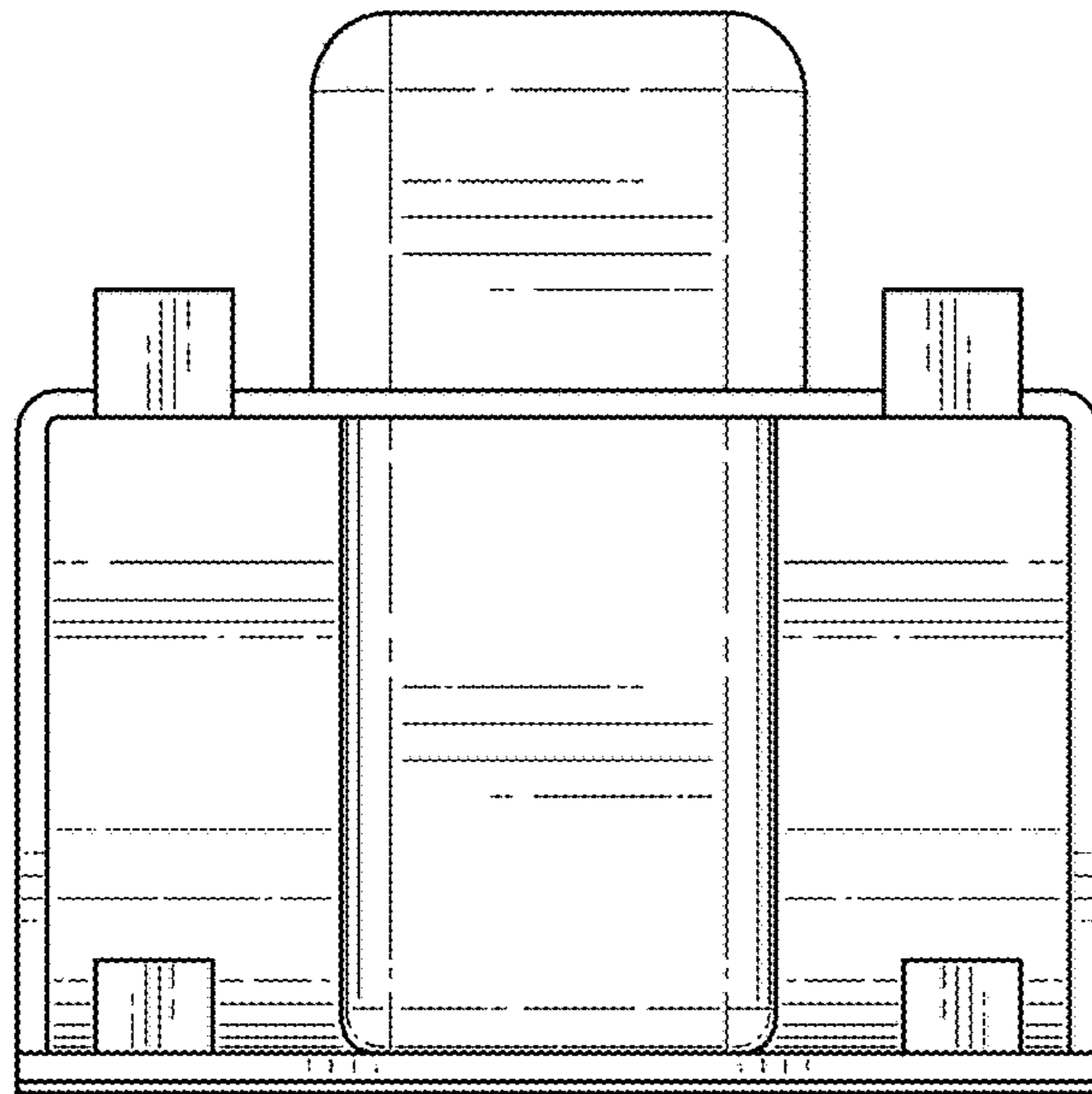


FIG. 6

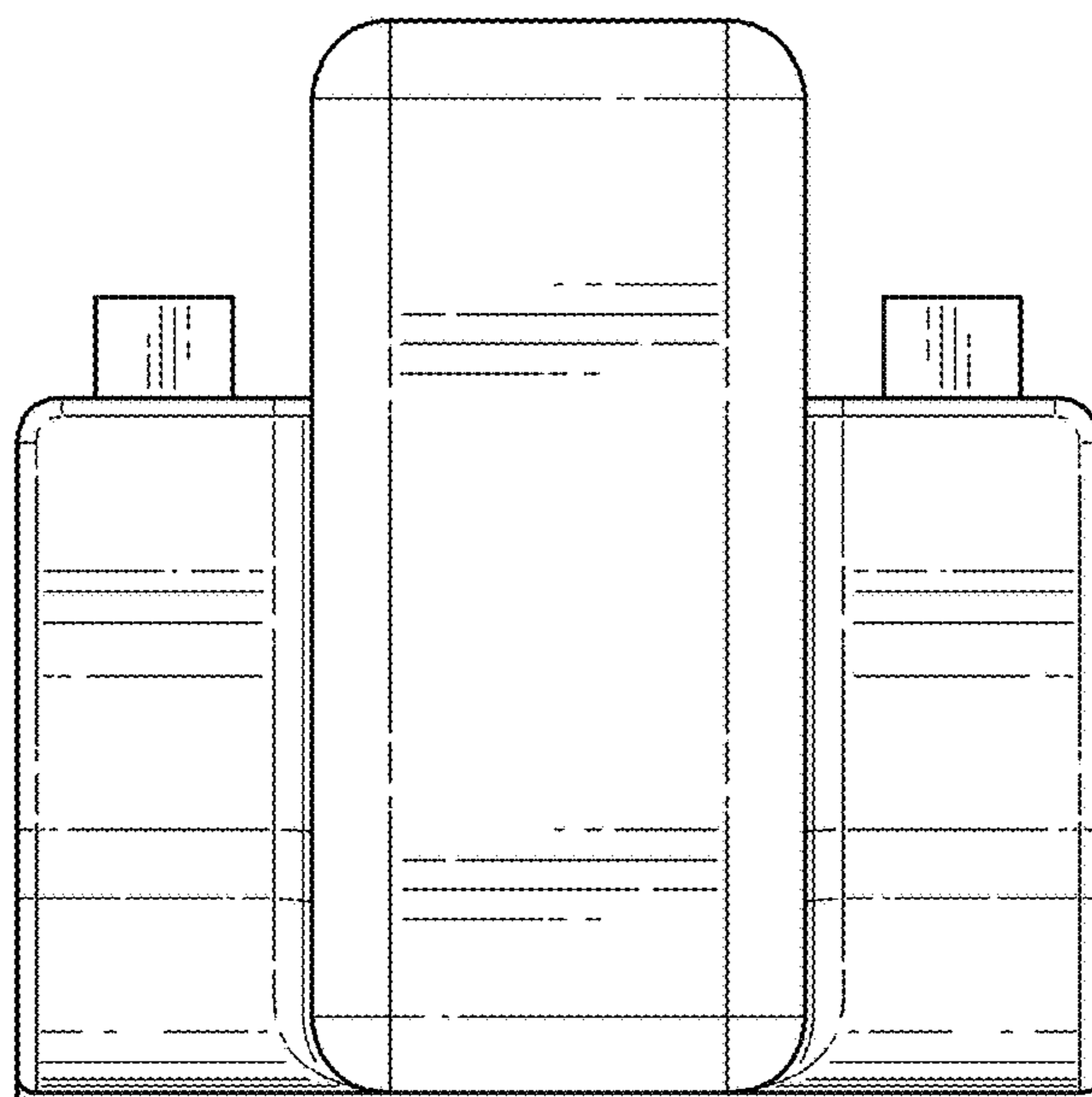


FIG. 7

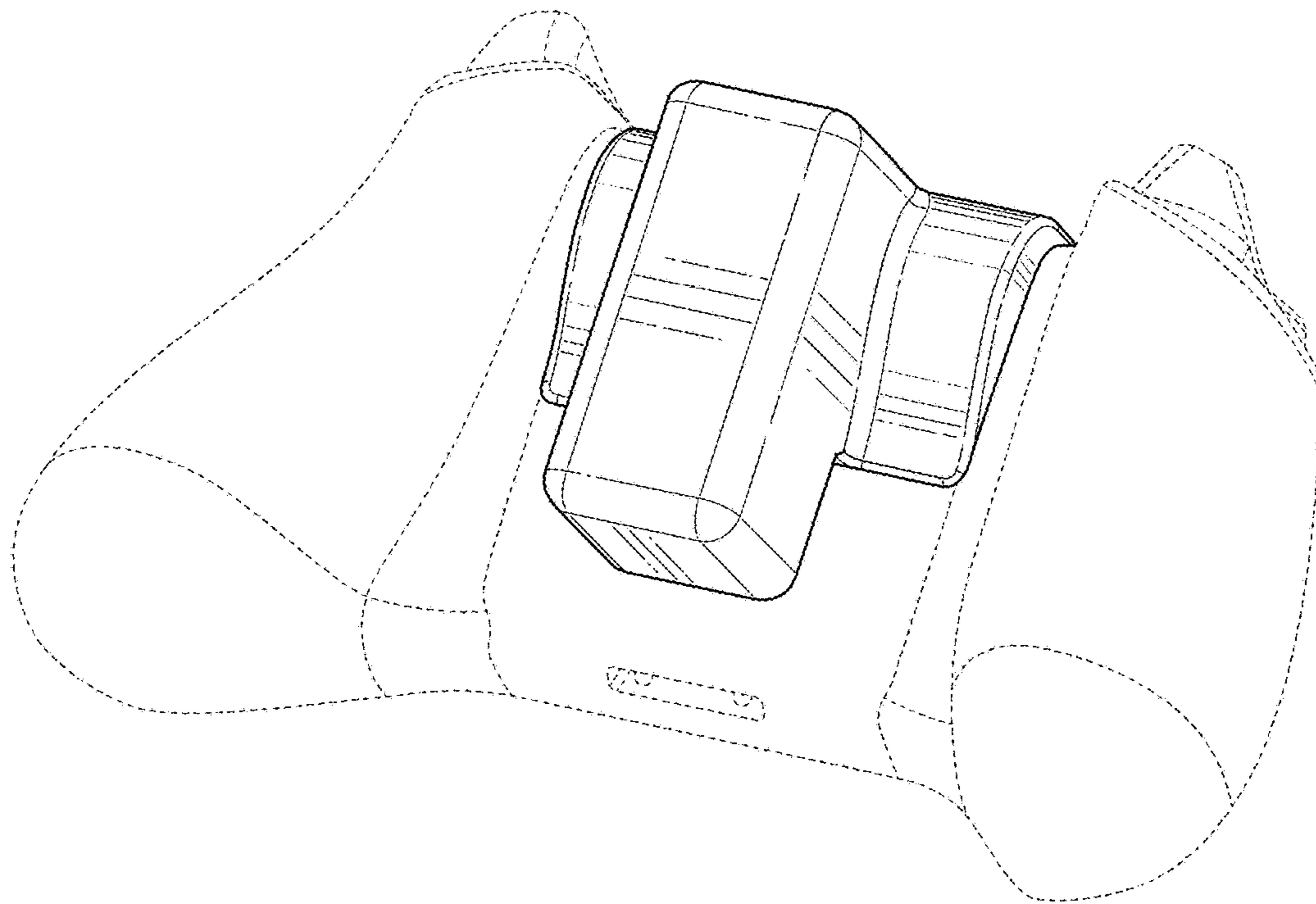


FIG. 8

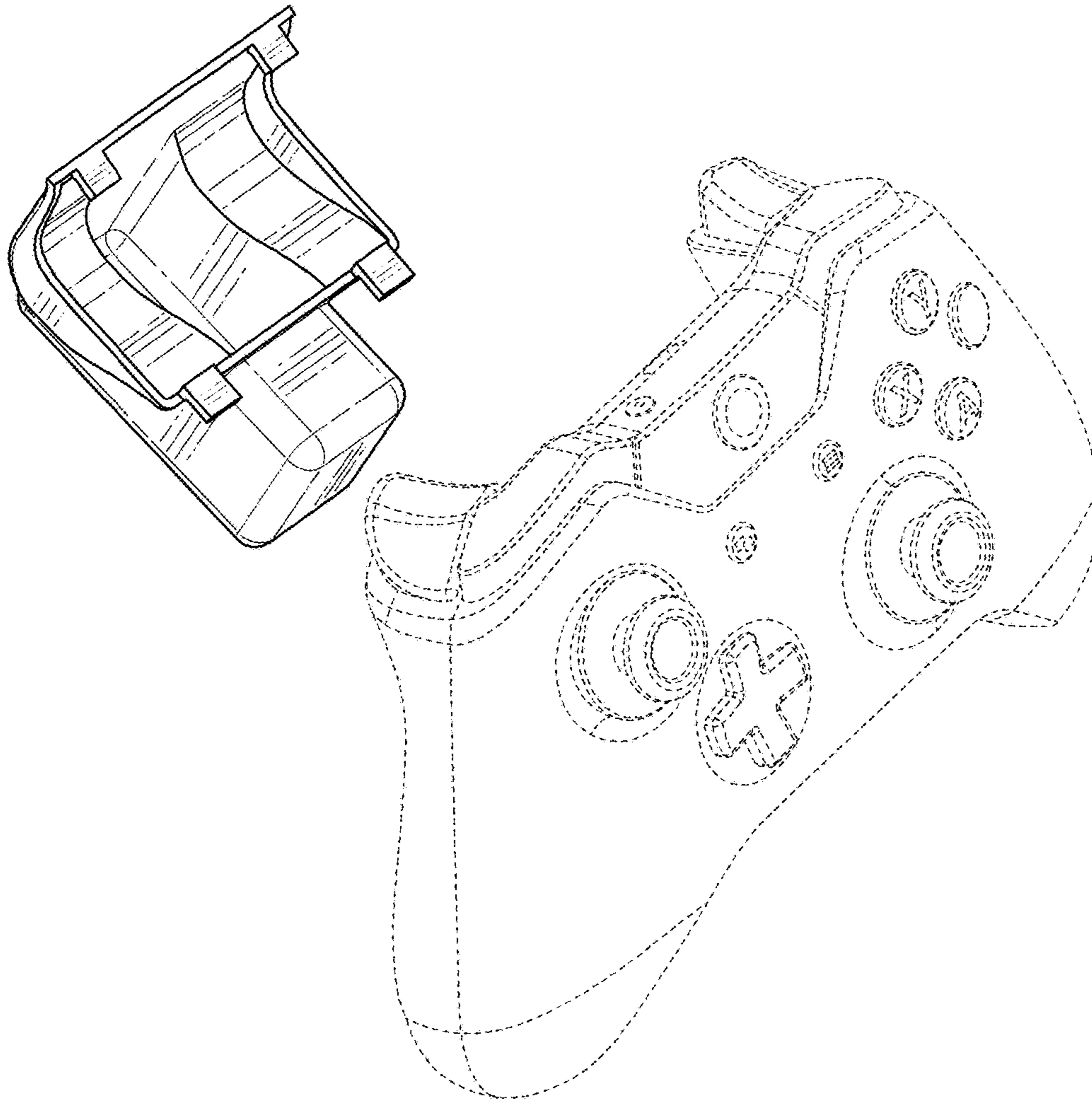


FIG. 9