



US00D808330S

(12) **United States Design Patent** (10) **Patent No.:** **US D808,330 S**
Kuwahara et al. (45) **Date of Patent:** **** Jan. 23, 2018**

(54) **CENTER CONSOLE FOR AUTOMOBILE**

D770,968 S * 11/2016 Willis D12/415
D781,210 S * 3/2017 Itou D12/419
D792,834 S * 7/2017 Ito D12/419

(71) Applicant: **Nissan Motor Co., Ltd.**, Yokohama,
Kanagawa (JP)

FOREIGN PATENT DOCUMENTS

(72) Inventors: **Hirotda Kuwahara**, Kanagawa (JP);
Satoru Hasegawa, Kanagawa (JP)

JP D1267418 S 3/2009
JP D1397706 S 9/2010
JP D1481504 S 10/2014
JP D1503268 S 7/2015
JP D1549100 S 5/2017
JP D1537684 S 10/2017

(73) Assignee: **Nissan Motor Co., Ltd.**, Yokohama
(JP)

(**) Term: **15 Years**

* cited by examiner

(21) Appl. No.: **29/586,676**

Primary Examiner — Katrina A Betton

(22) Filed: **Dec. 6, 2016**

(74) *Attorney, Agent, or Firm* — Global IP Counselors,
LLP

(30) **Foreign Application Priority Data**

(57) **CLAIM**

Jun. 10, 2016 (JP) 2016-012438

The ornamental design for a center console for an automo-
bile, as shown and described.

(51) **LOC (11) Cl.** **12-16**

DESCRIPTION

(52) **U.S. Cl.**
USPC **D12/419**

(58) **Field of Classification Search**
USPC D12/415-420, 400, 195, 191, 106, 345,
D12/96, 99
CPC B60R 7/08
See application file for complete search history.

FIG. 1 is a front elevational view of a center console for an
automobile in accordance with our new design;
FIG. 2 is a rear elevational view thereof;
FIG. 3 is a top plan view thereof;
FIG. 4 is a bottom plan view thereof;
FIG. 5 is a right side elevational view thereof;
FIG. 6 is a left side elevational view thereof;
FIG. 7 is a first perspective view thereof; and,
FIG. 8 is a second perspective view thereof.

(56) **References Cited**

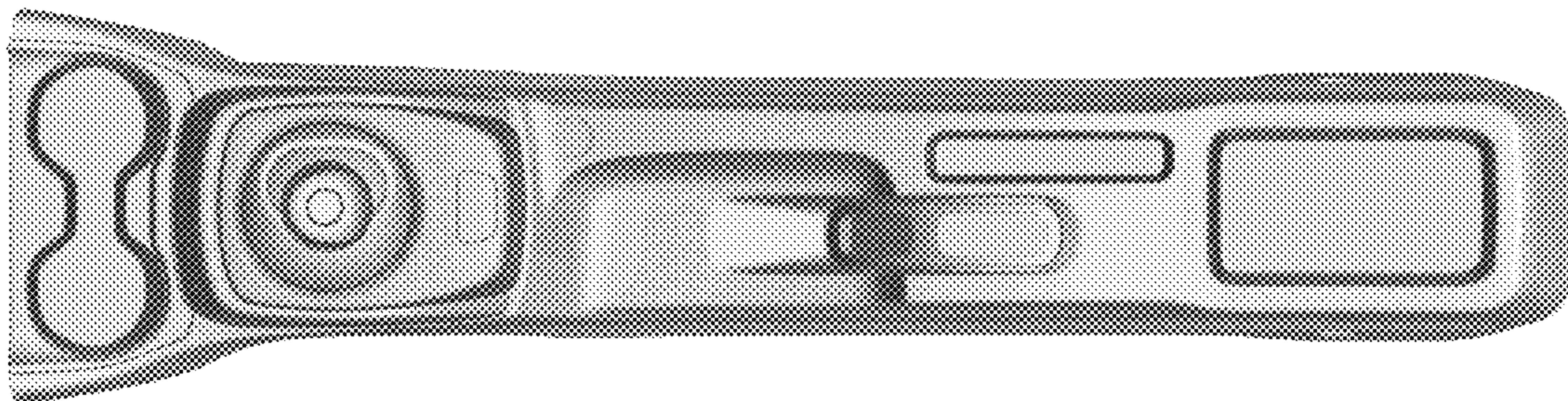
U.S. PATENT DOCUMENTS

D522,957 S * 6/2006 Miyashita D12/415
D568,232 S * 5/2008 Motozaki D12/421
D718,218 S * 11/2014 Tanaka D12/424
D724,521 S * 3/2015 Ashley D12/419
D725,583 S * 3/2015 Seki D12/419
9,199,579 B2 * 12/2015 Gillis B60R 7/04
D766,811 S * 9/2016 Shouno D12/419
D766,812 S * 9/2016 Kabata D12/423
D770,361 S * 11/2016 Chan D12/419

The center console is configured to be mounted to an
automobile. The inside surfaces of the center console, shown
in broken lines in FIGS. 1, 4, 6 and 7, form no part of the
claimed design since the inside surfaces are hidden when the
center console is mounted to the automobile.

A second embodiment of our new design is a mirror image
of the center console for automobiles shown in FIGS. 1-8.

1 Claim, 8 Drawing Sheets



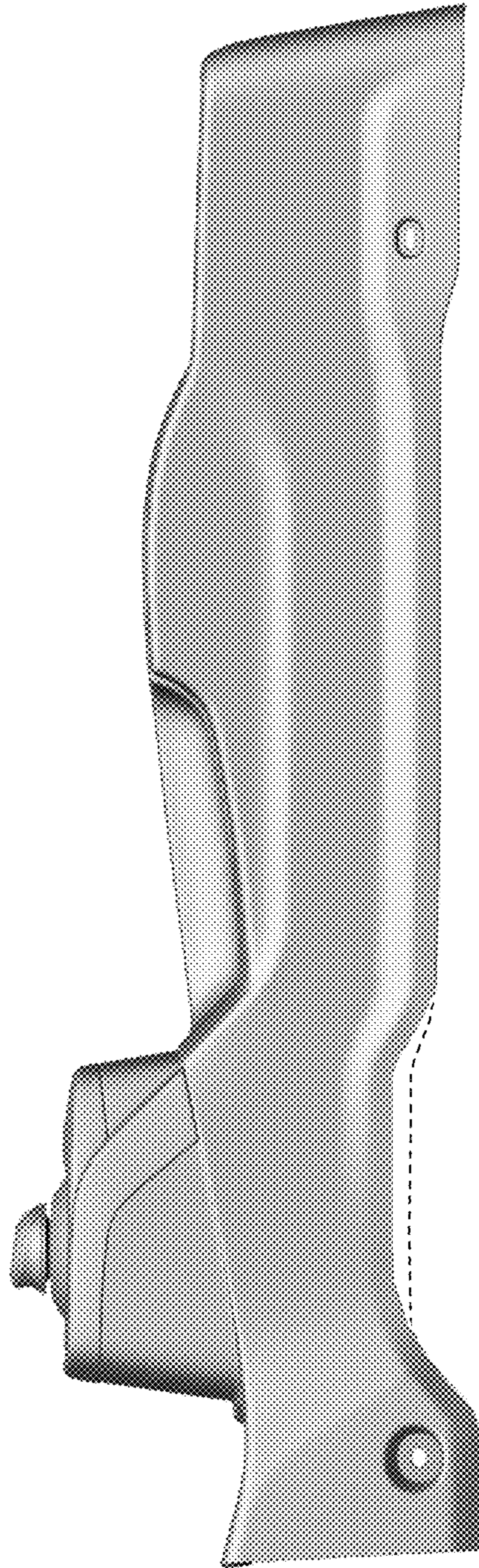


FIG. 1

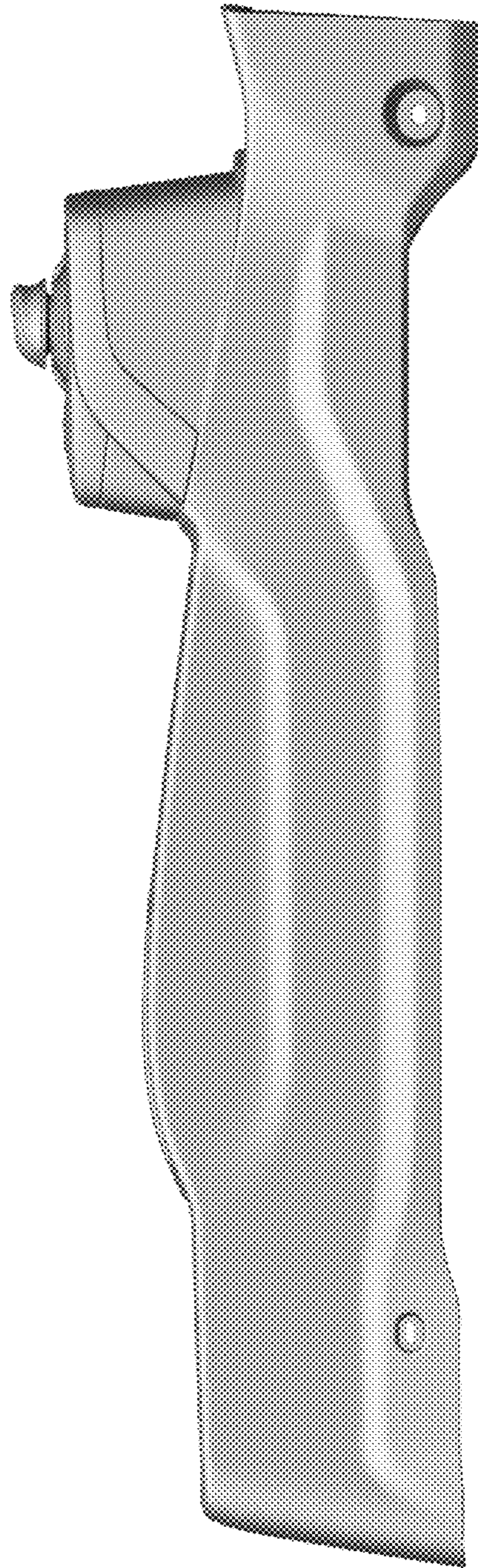


FIG. 2

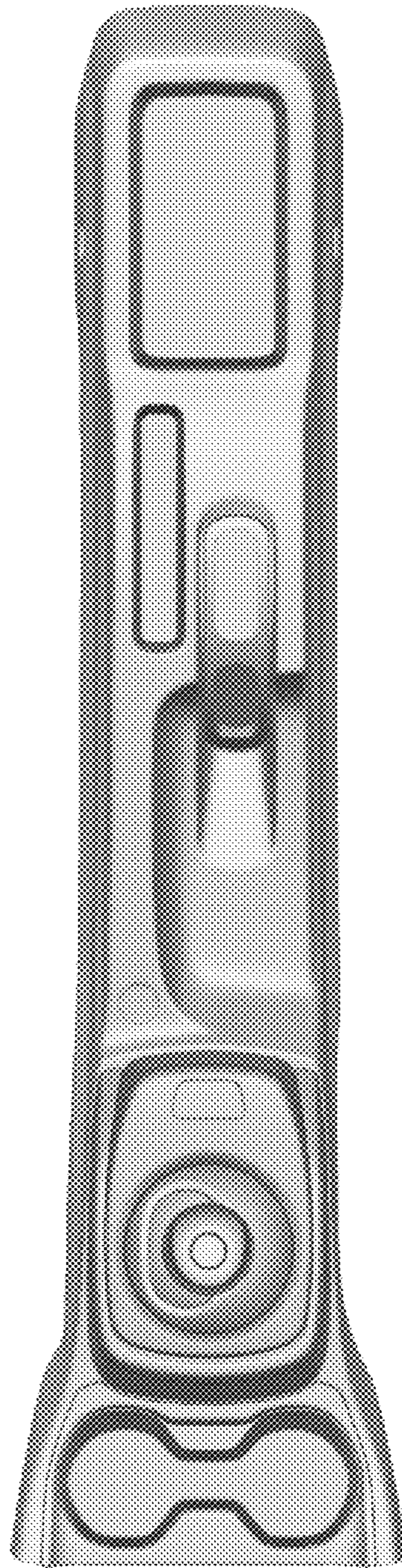


FIG. 3

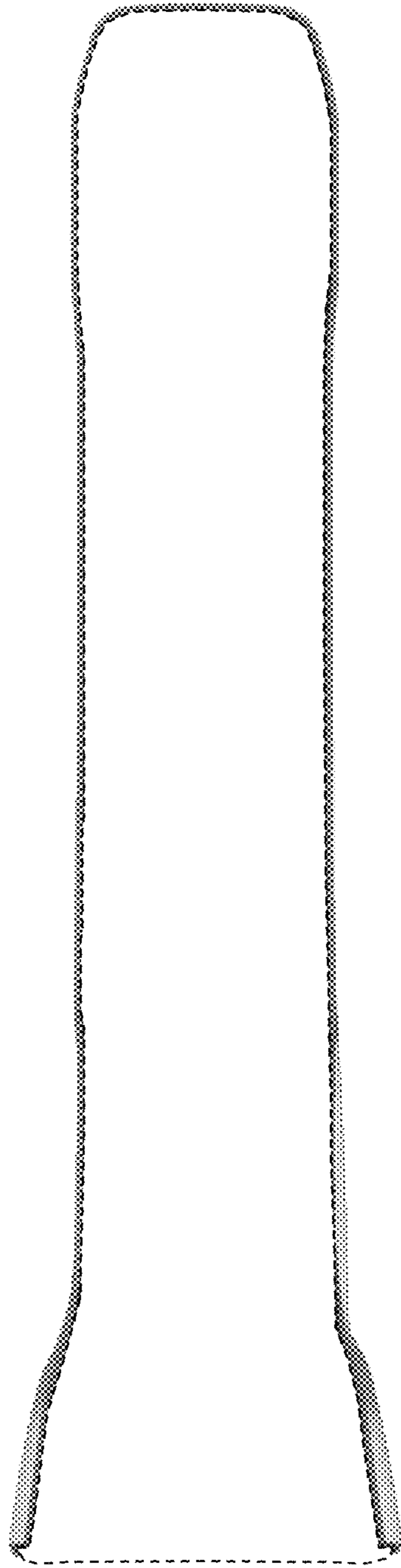


FIG. 4

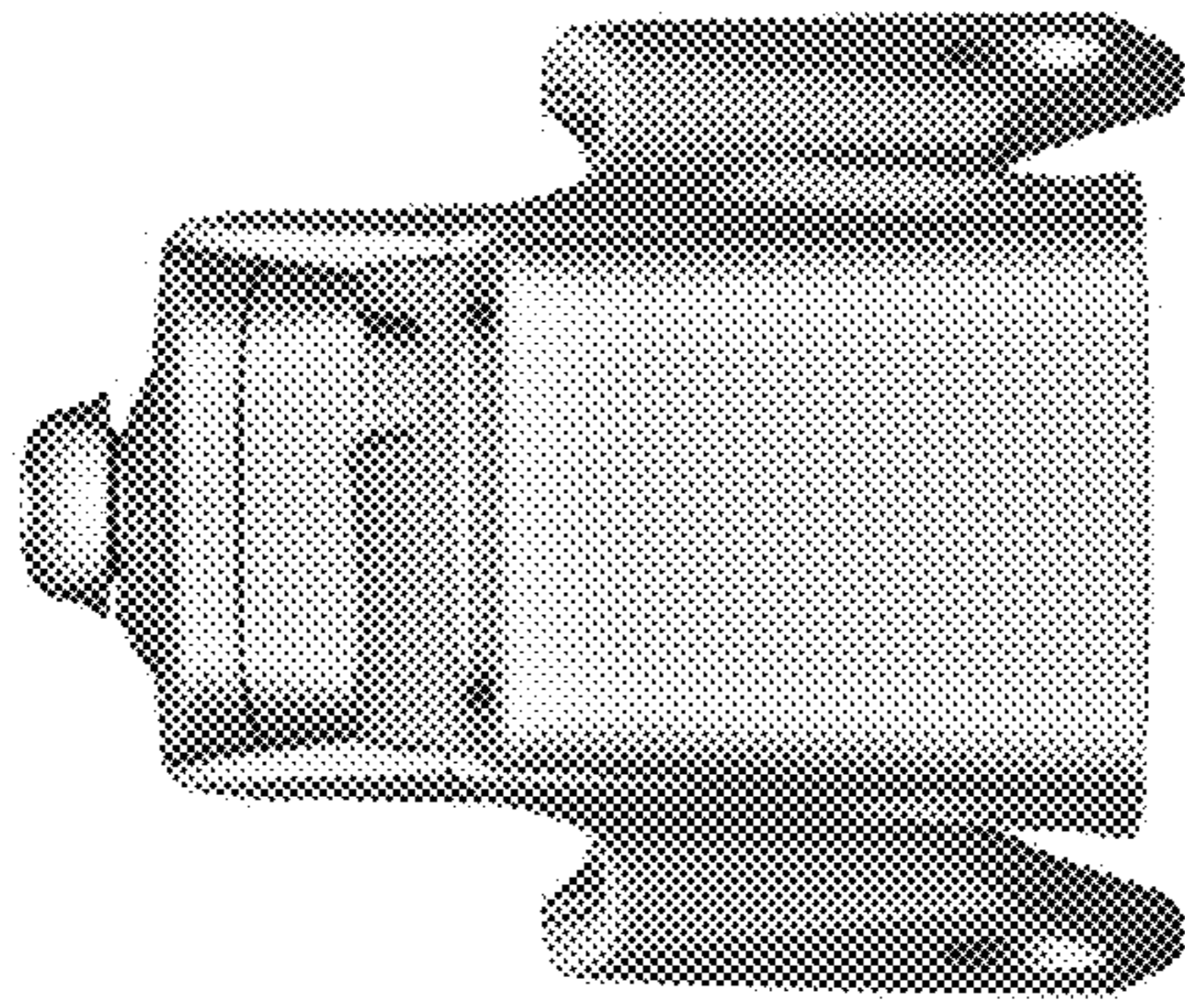


FIG. 5

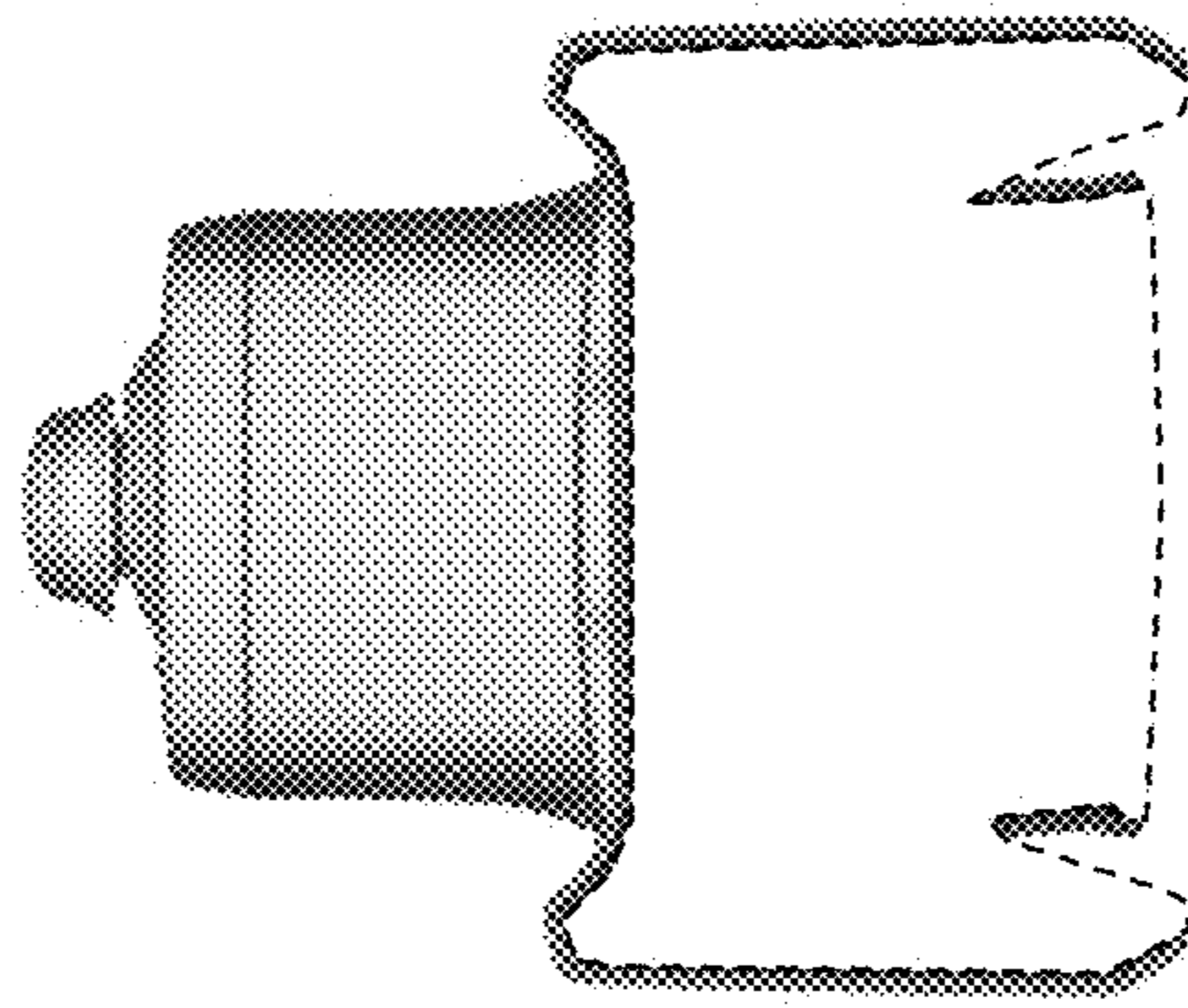


FIG. 6

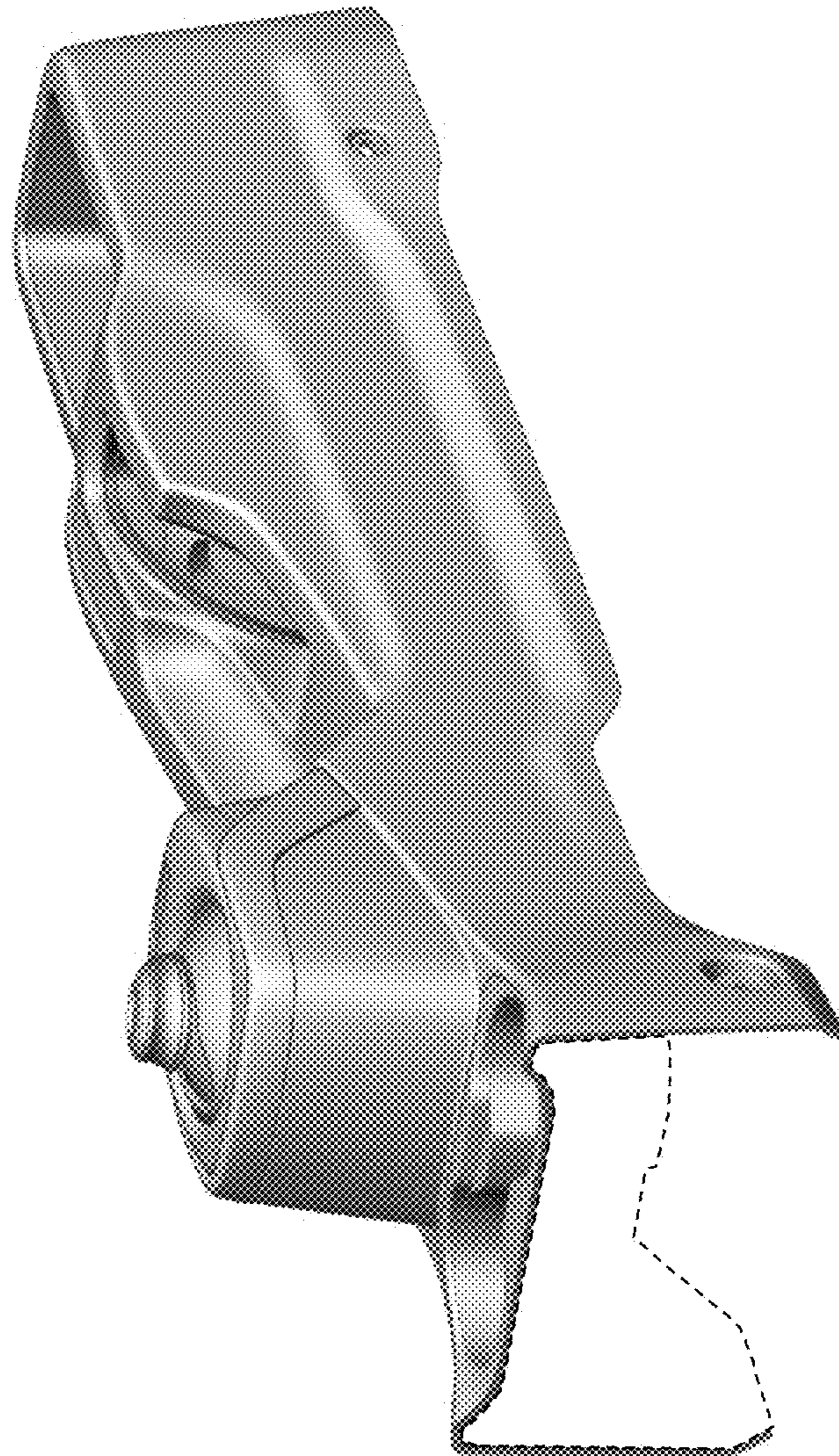


FIG. 7

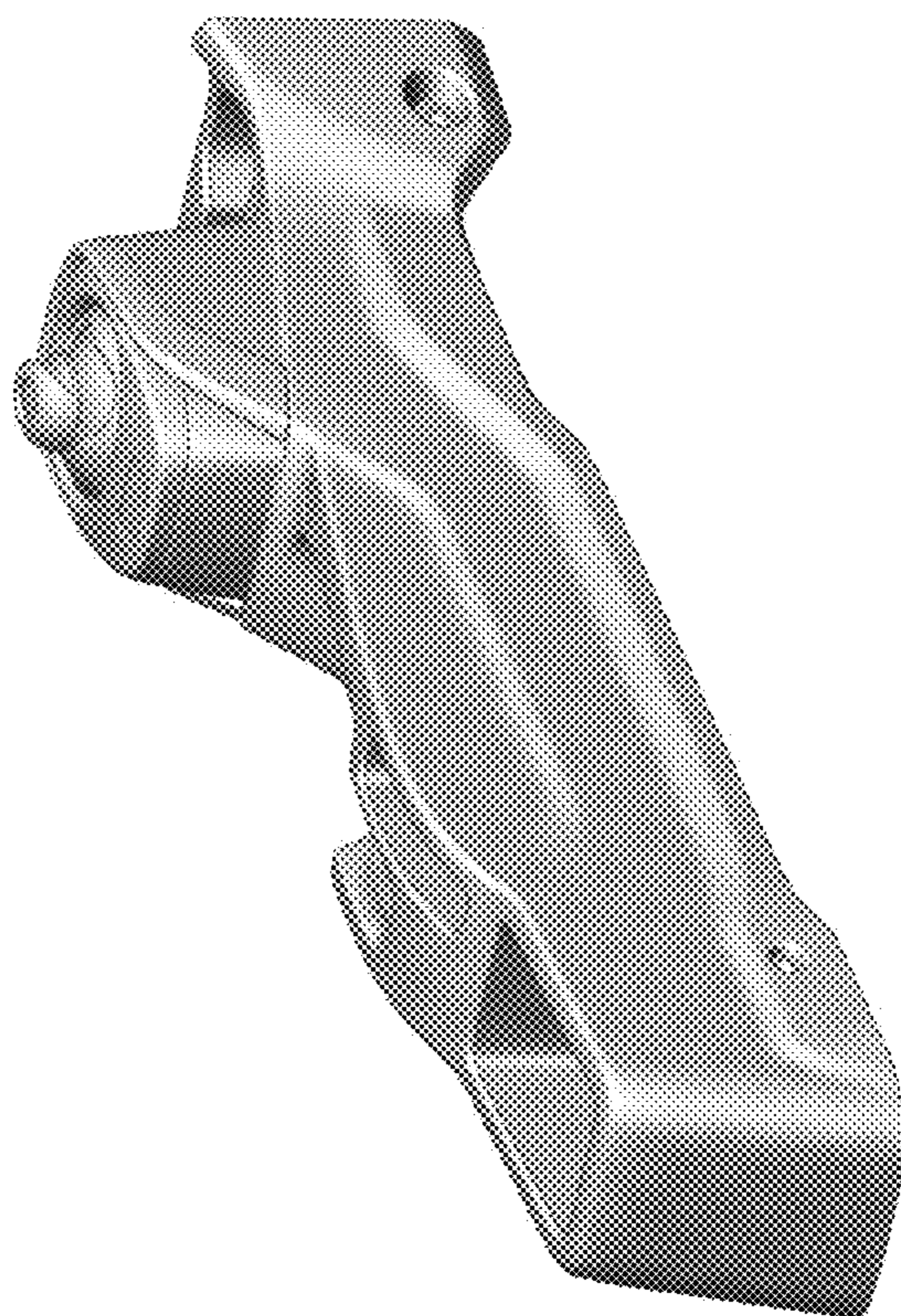


FIG. 8