



US00D808329S

(12) **United States Design Patent**
Parks

(10) **Patent No.:** **US D808,329 S**

(45) **Date of Patent:** **** Jan. 23, 2018**

(54) **LENTICULAR AIRCRAFT**

(71) Applicant: **Aurora Flight Sciences Corporation**,
Manassas, VA (US)

(72) Inventor: **Robert W. Parks**, San Jose, CA (US)

(73) Assignee: **Aurora Flight Sciences Corporation**,
Manassas, VA (US)

(**) Term: **15 Years**

(21) Appl. No.: **29/591,260**

(22) Filed: **Jan. 18, 2017**

(51) **LOC (11) Cl.** **12-07**

(52) **U.S. Cl.**

USPC **D12/328**

(58) **Field of Classification Search**

USPC D12/3, 16.1, 319-345; D21/436-455

CPC B64C 39/024; B64C 2201/108

See application file for complete search history.

(56) **References Cited**

U.S. PATENT DOCUMENTS

D145,904 S	*	11/1946	Neumann	244/65
D145,905 S	*	11/1946	Neumann	244/65
D145,906 S	*	11/1946	Neumann	244/65
D174,678 S	*	5/1955	Cochran	244/12.1
D174,679 S	*	5/1955	Cochran	244/12.1
D180,559 S	*	7/1957	Johnson	D21/444
D183,349 S	*	8/1958	Johnson	244/12.2
D188,226 S	*	6/1960	Jones	D12/333
D188,359 S	*	7/1960	Le Bel	244/12.3
D189,835 S	*	2/1961	Wiley	D12/330
D192,195 S	*	2/1962	Stepniewski	D12/330
D193,452 S	*	8/1962	Rellis	D12/330
D196,213 S	*	9/1963	Paxhia	D12/330
D197,447 S	*	2/1964	Friedrich	244/12.2
D203,781 S	*	2/1966	Peto	D12/330

(Continued)

Primary Examiner — Robert M. Spear

Assistant Examiner — Marissa J Cash

(74) *Attorney, Agent, or Firm* — Michael Stanley Tomsa;
McAndrews, Held & Malloy, Ltd.; Eugene H. Nahm

(57) **CLAIM**

The ornamental design for a lenticular aircraft, as shown and described.

DESCRIPTION

FIG. 1 is a top perspective view of a lenticular aircraft showing my new design according to a first embodiment;

FIG. 2 is a bottom perspective view thereof;

FIG. 3 is a front elevation view thereof;

FIG. 4 is a rear elevation view thereof;

FIG. 5 is a left-side elevation view thereof;

FIG. 6 is a right-side elevation view thereof;

FIG. 7 is a top plan view thereof;

FIG. 8 is a bottom plan view thereof;

FIG. 9 is a top perspective view of a lenticular aircraft showing my new design according to a second embodiment;

FIG. 10 is a bottom perspective view thereof;

FIG. 11 is a front elevation view thereof;

FIG. 12 is a rear elevation view thereof;

FIG. 13 is a left-side elevation view thereof;

FIG. 14 is a right-side elevation view thereof;

FIG. 15 is a top plan view thereof;

FIG. 16 is a bottom plan view thereof;

FIG. 17 is a top perspective view of a lenticular aircraft showing my new design according to a third embodiment;

FIG. 18 is a bottom perspective view thereof;

FIG. 19 is a front elevation view thereof;

FIG. 20 is a rear elevation view thereof;

FIG. 21 is a left-side elevation view thereof;

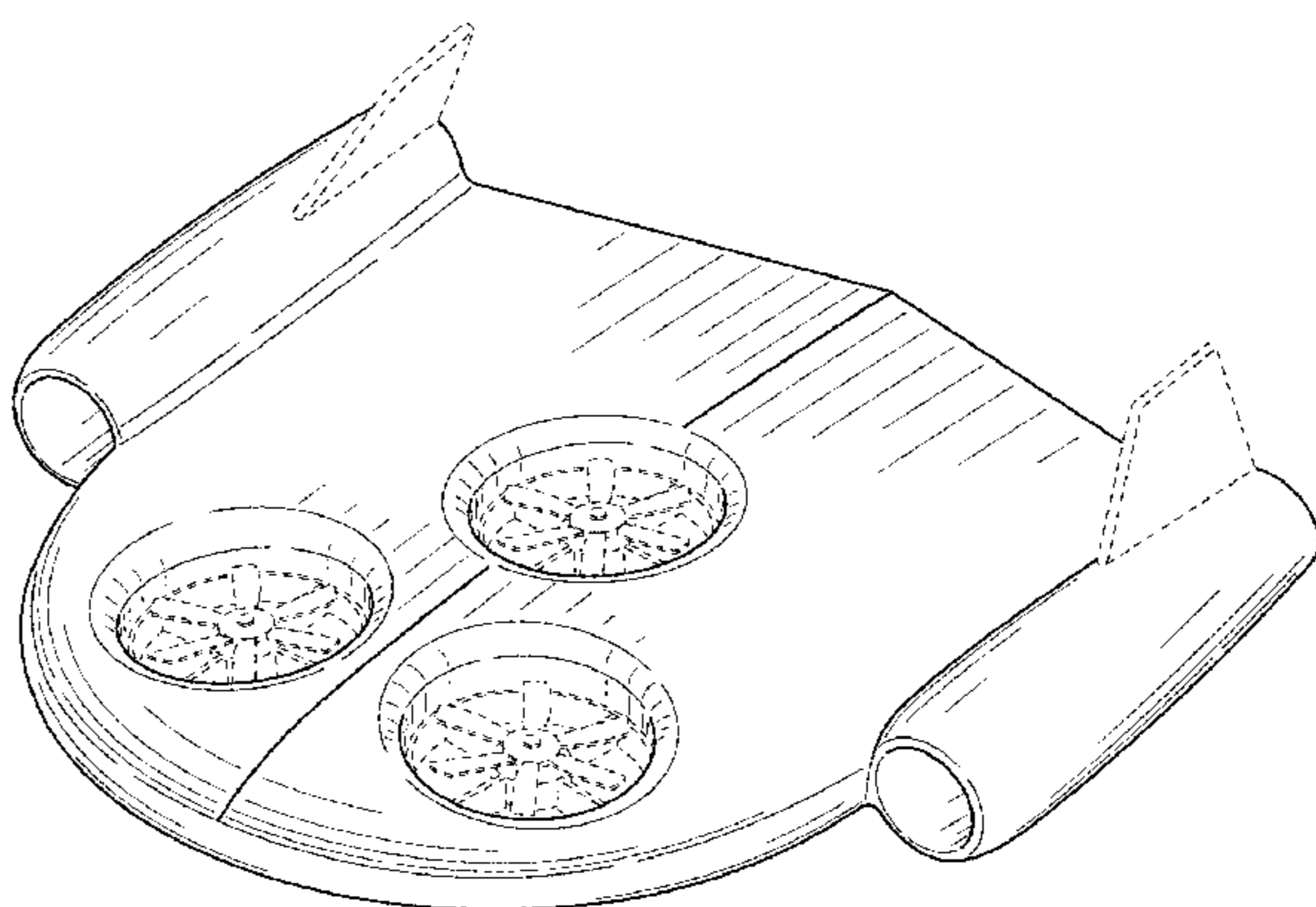
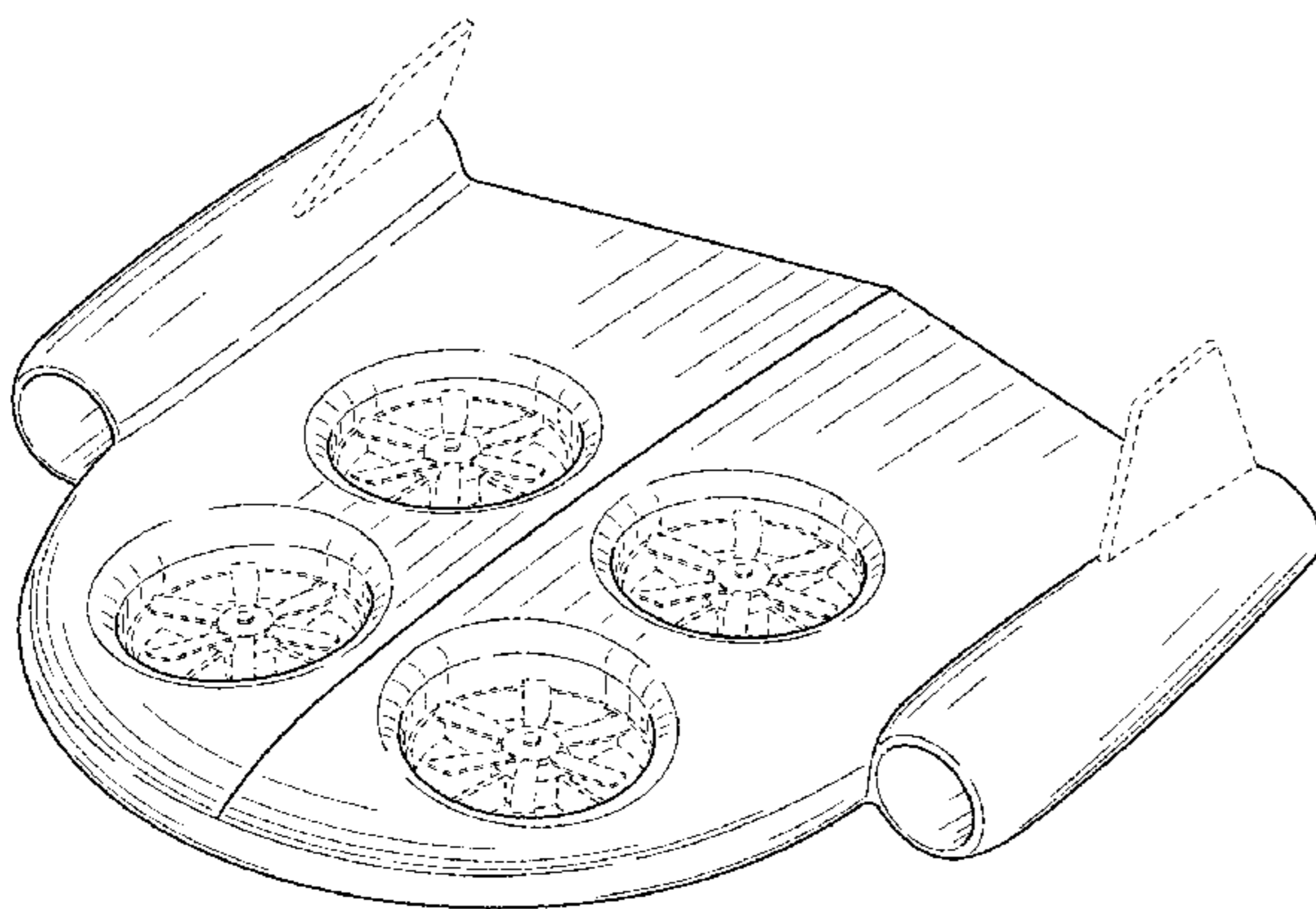
FIG. 22 is a right-side elevation view thereof;

FIG. 23 is a top plan view thereof; and,

FIG. 24 is a bottom plan view thereof.

The broken lines in the drawings illustrate portions of the lenticular aircraft that form no part of the claimed design.

1 Claim, 15 Drawing Sheets



(56)

References Cited

U.S. PATENT DOCUMENTS

D220,727 S * 5/1971 Sawyer D12/333
 D231,976 S * 7/1974 Torrell D12/325
 D238,938 S * 2/1976 Moller D12/325
 D274,512 S * 7/1984 Clifton D12/326
 4,469,294 A * 9/1984 Clifton B64C 29/0025
 244/10
 D278,226 S * 4/1985 Henderson D12/319
 D302,676 S * 8/1989 Clifton D12/326
 D319,041 S * 8/1991 Phillips 244/36
 5,259,571 A * 11/1993 Blazquez B64C 39/001
 244/12.2
 5,273,128 A * 12/1993 Clendening B60V 1/14
 180/120
 5,320,305 A * 6/1994 Oatway B64C 29/0025
 244/12.3
 D365,545 S * 12/1995 Wainfan D12/331
 D371,536 S * 7/1996 Jones D12/333
 D396,842 S * 8/1998 Jones D12/333
 5,873,545 A * 2/1999 Kapin B60V 3/08
 244/100 A
 D418,805 S * 1/2000 Cycon 244/12.3
 D454,109 S * 3/2002 Moshier D12/319
 D486,775 S * 2/2004 Reinhard D12/319
 D488,426 S * 4/2004 Hall D12/319
 D489,315 S * 5/2004 Dauvergne D12/319
 D493,411 S * 7/2004 Fong D12/319
 D496,900 S * 10/2004 Bulaga D12/319
 D500,008 S * 12/2004 Bulaga D12/345
 D541,206 S * 4/2007 Brunner D12/325

D543,928 S * 6/2007 Sanders, Jr. B64C 27/12
 D12/319
 7,267,300 B2 * 9/2007 Heath B64C 15/14
 244/12.3
 D592,582 S * 5/2009 Tamm D12/319
 7,866,601 B2 * 1/2011 Balaskovic B64B 1/06
 244/30
 D665,333 S * 8/2012 Oliver D12/326
 8,297,550 B2 * 10/2012 Balaskovic B64B 1/34
 244/96
 D670,638 S * 11/2012 Goelet D12/319
 D696,618 S * 12/2013 Wang D12/326
 8,596,571 B2 * 12/2013 Goelet B64B 1/06
 244/13
 8,894,002 B2 * 11/2014 Goelet B64B 1/005
 244/26
 D740,201 S * 10/2015 Wang D12/326
 D772,756 S * 11/2016 Gambus D12/16.1
 9,745,042 B2 * 8/2017 Goelet B64B 1/68
 9,783,291 B2 * 10/2017 Kummer B64C 29/0025
 9,802,690 B2 * 10/2017 Goelet B64B 1/08
 2004/0245374 A1 * 12/2004 Morgan B64C 5/02
 244/12.3
 2007/0246601 A1 * 10/2007 Layton B64C 29/0025
 244/12.2
 2009/0008510 A1 * 1/2009 Posva B64C 15/14
 244/7 R
 2016/0368600 A1 * 12/2016 Frolov G08G 5/0021
 2017/0269609 A1 * 9/2017 Bradlow G05D 1/102
 2017/0274983 A1 * 9/2017 Beckman B64C 11/48
 2017/0285661 A1 * 10/2017 Harada G05D 1/101
 2017/0300067 A1 * 10/2017 Douglas G05D 1/0858

* cited by examiner

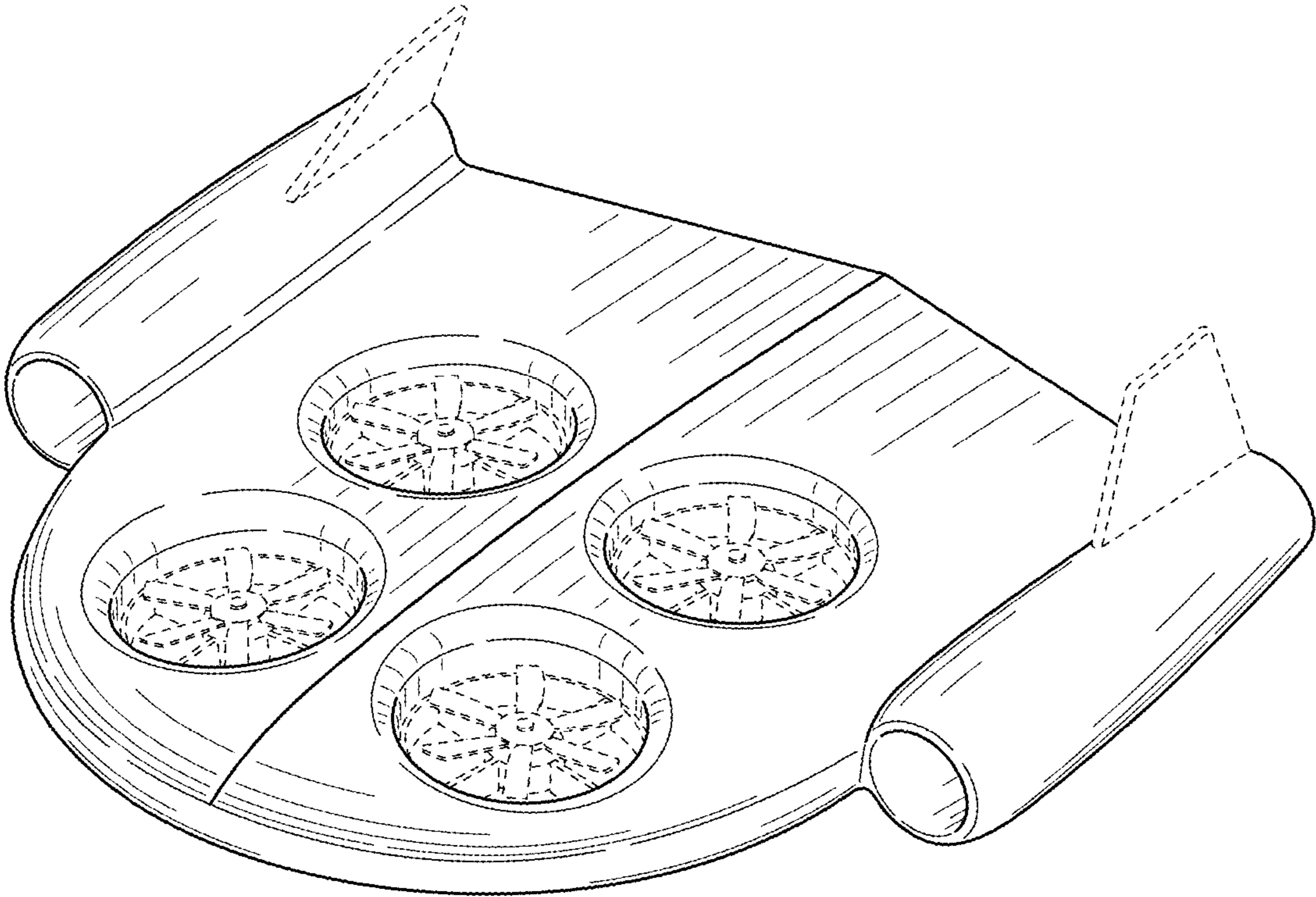


FIG. 1

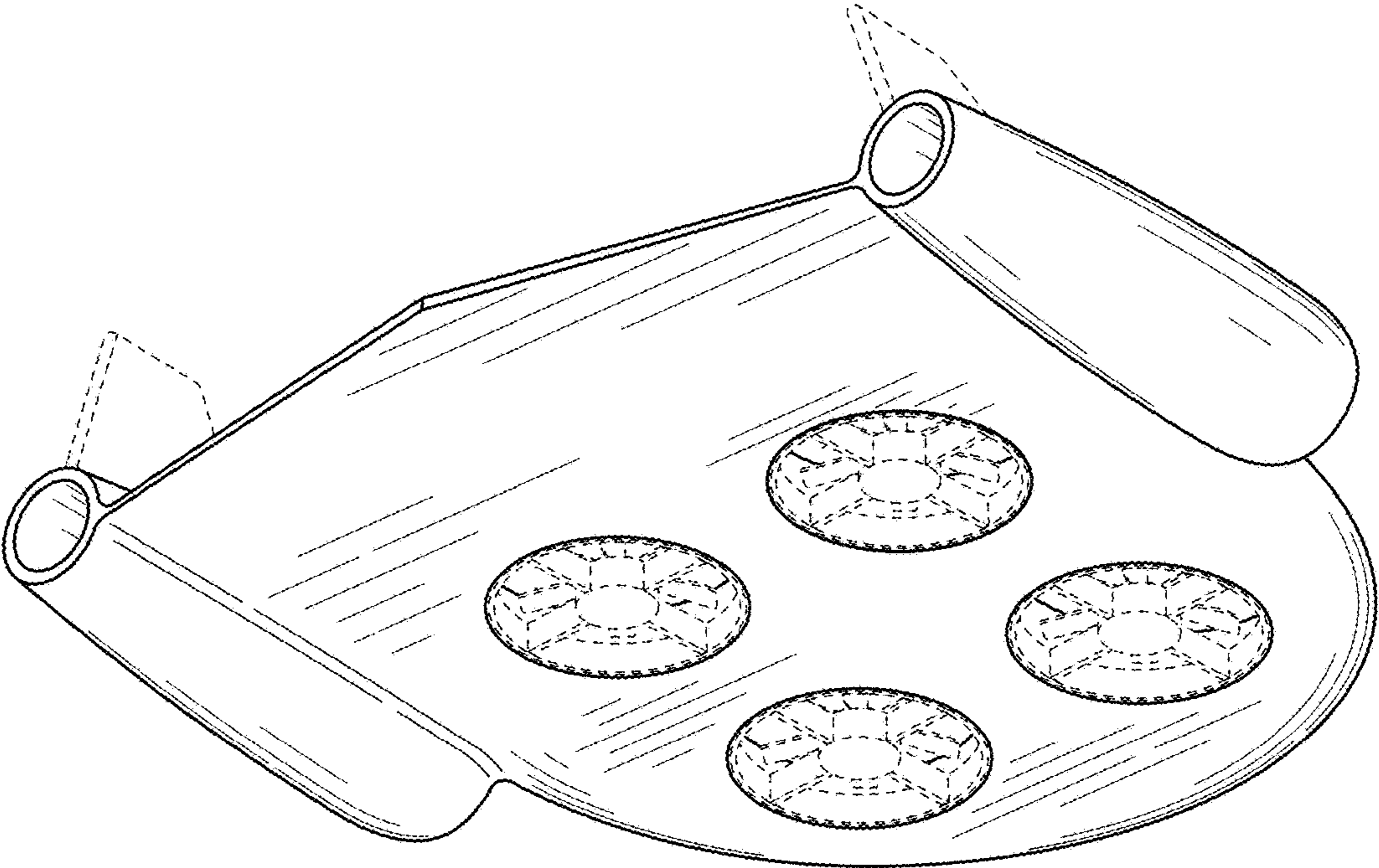


FIG. 2

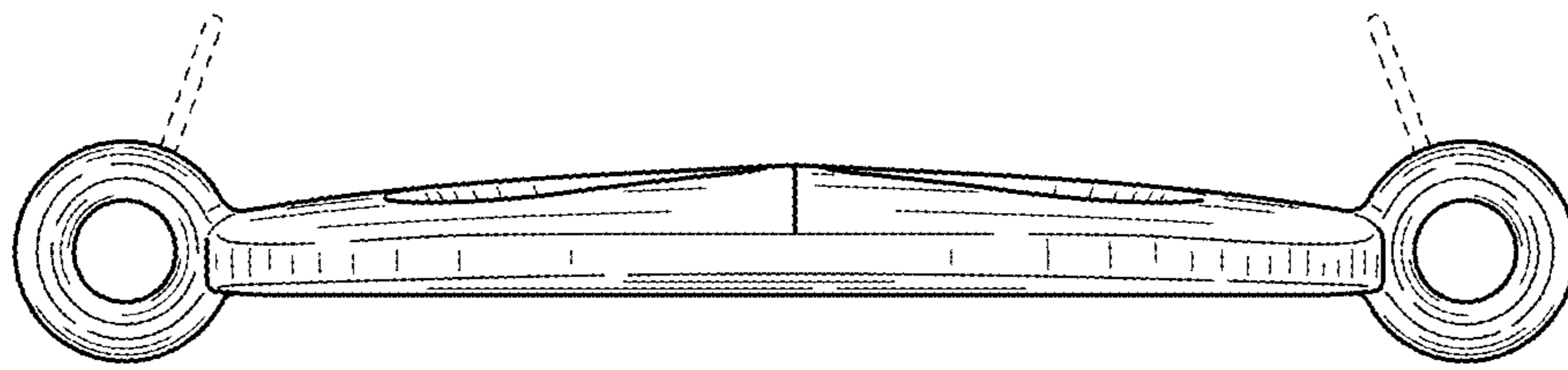


FIG. 3

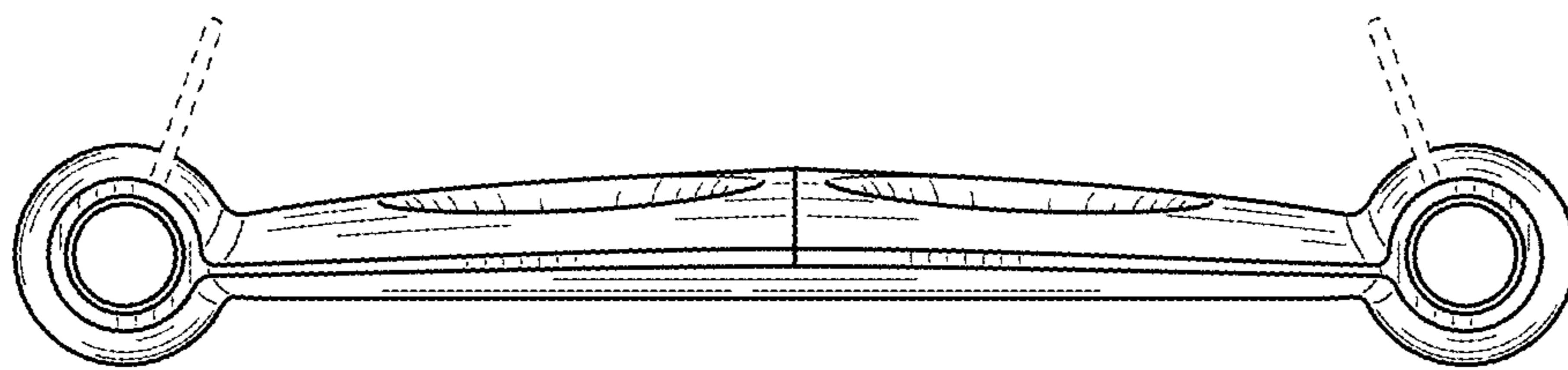


FIG. 4

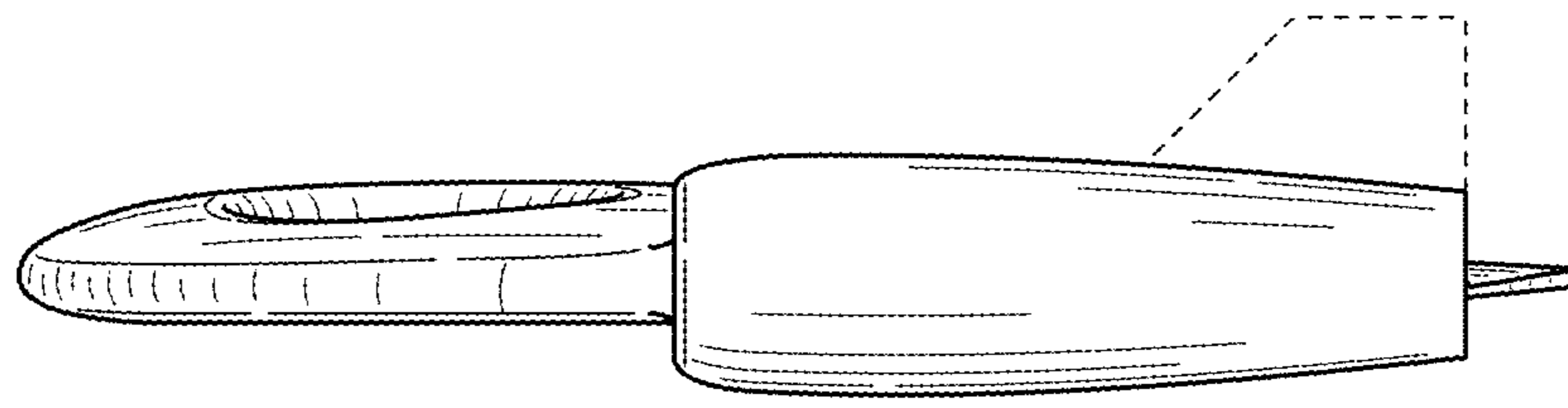


FIG. 5

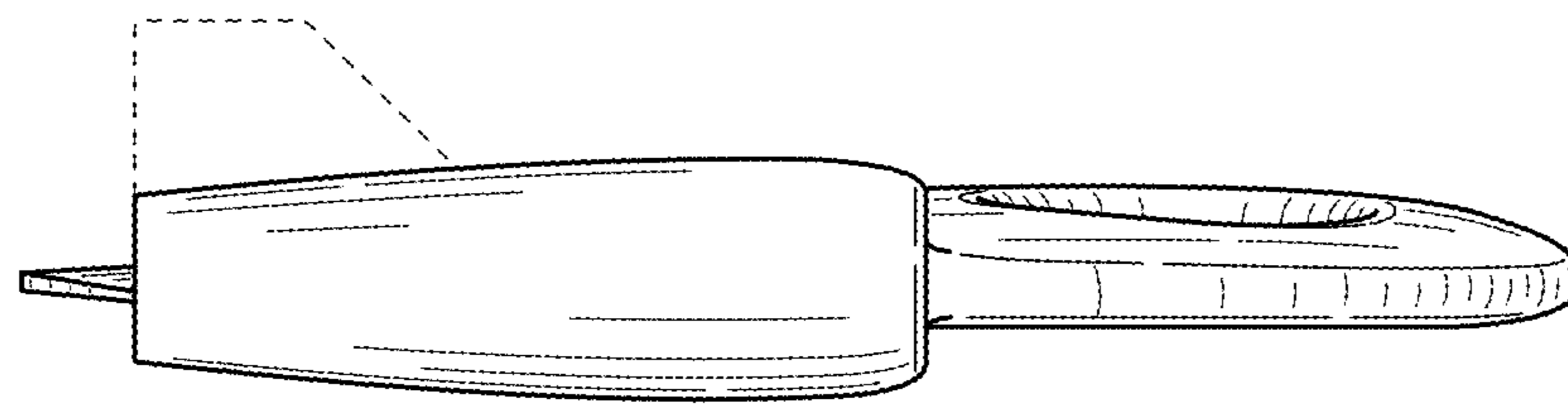


FIG. 6

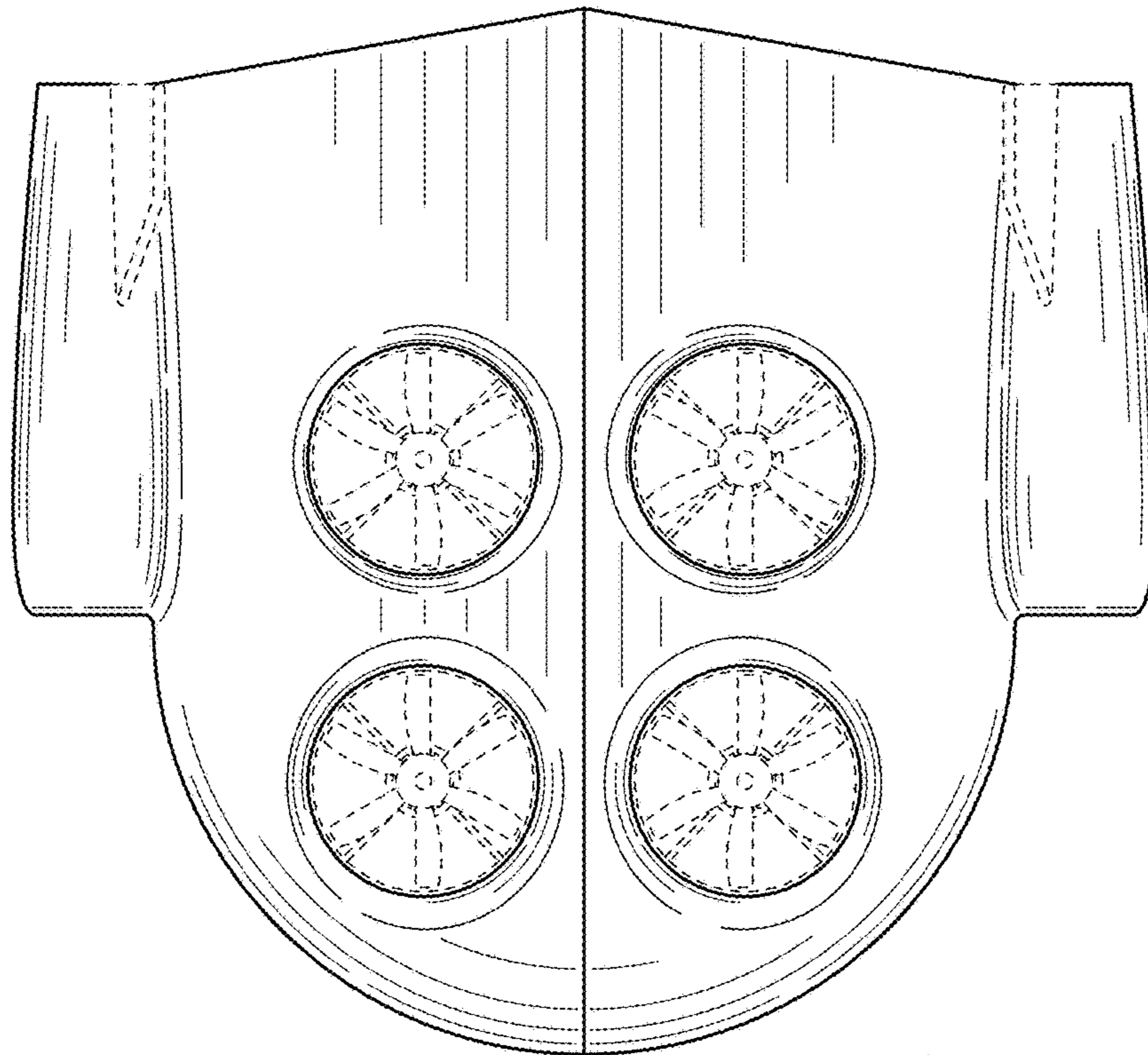


FIG. 7

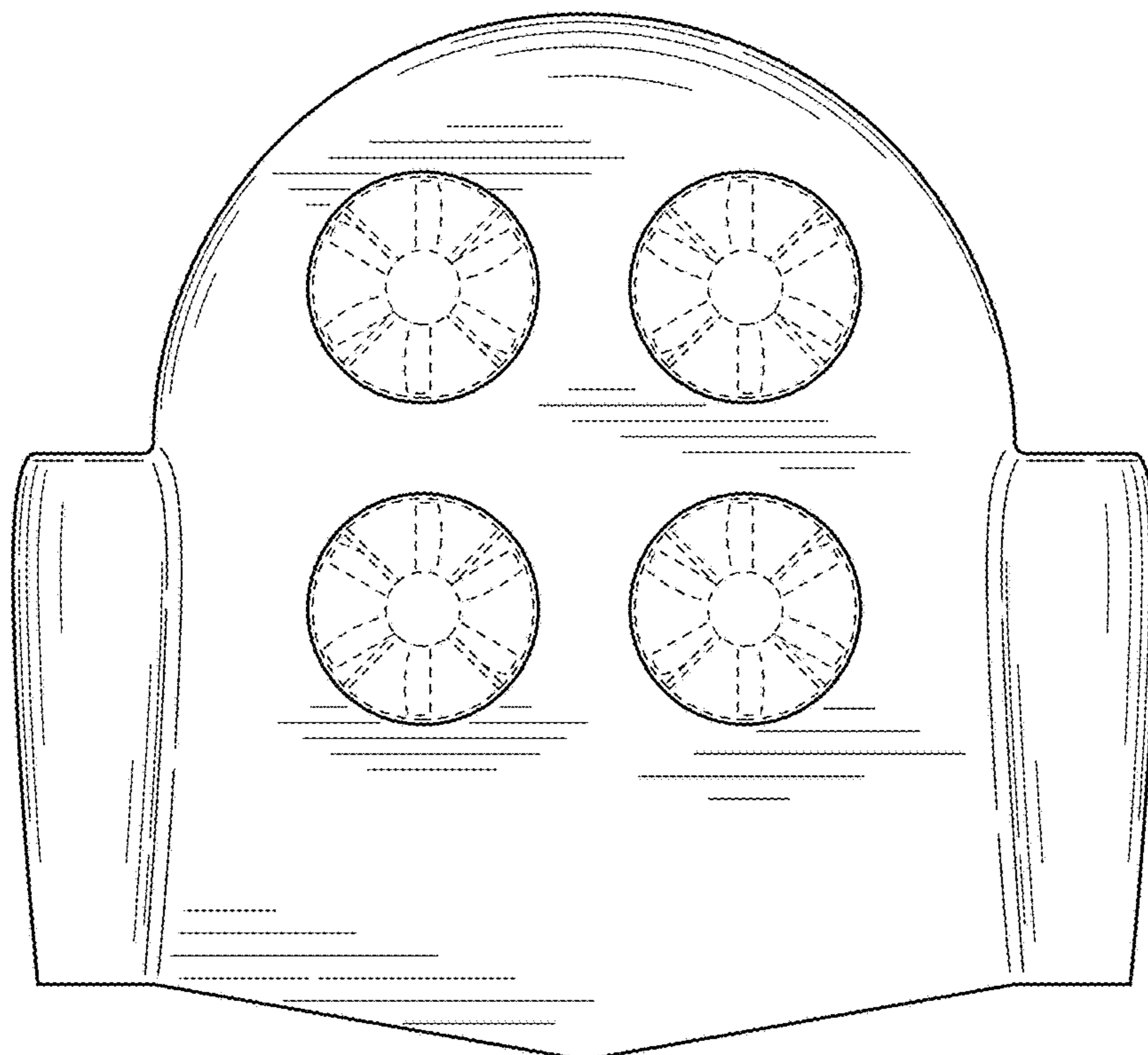


FIG. 8

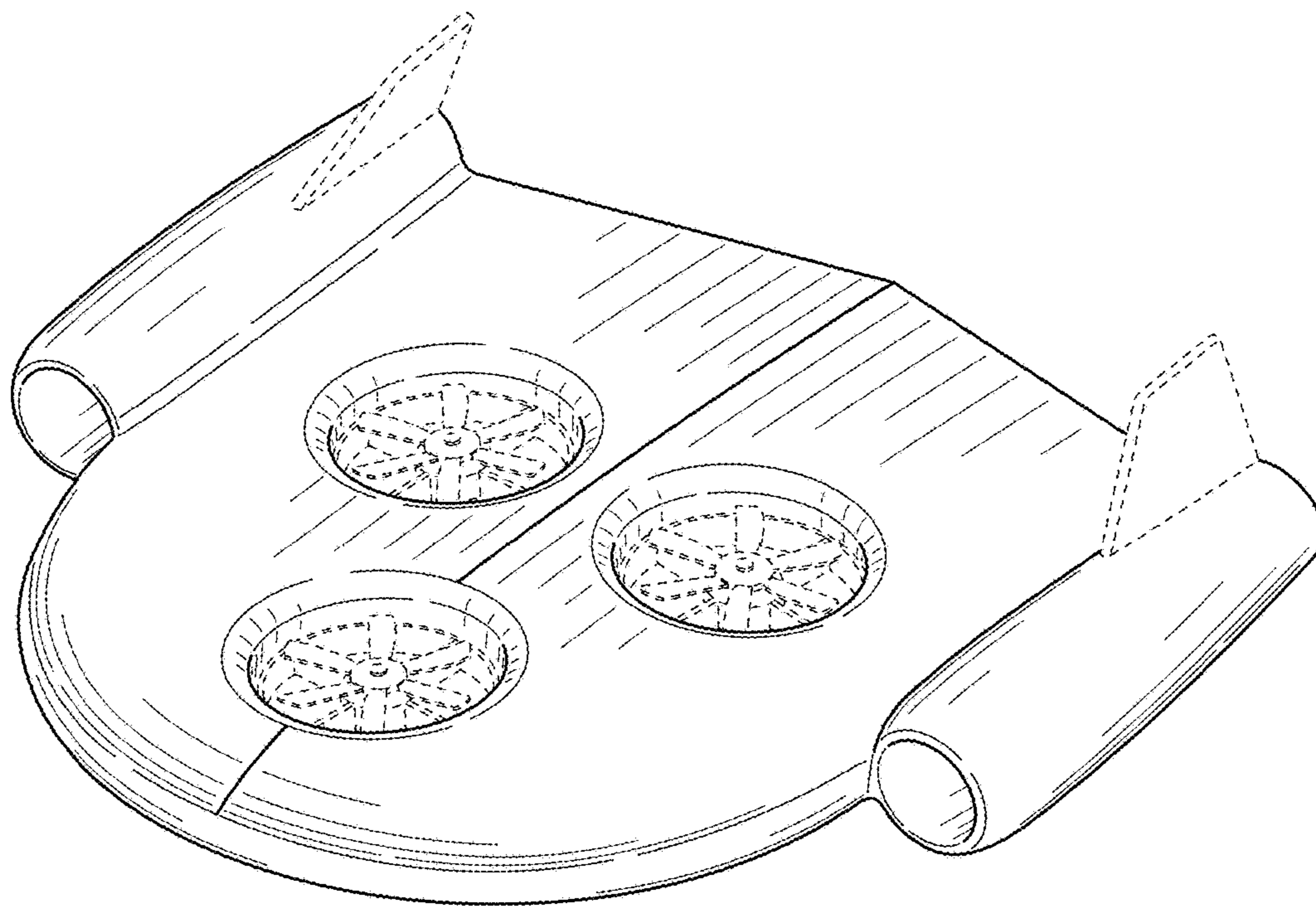


FIG. 9

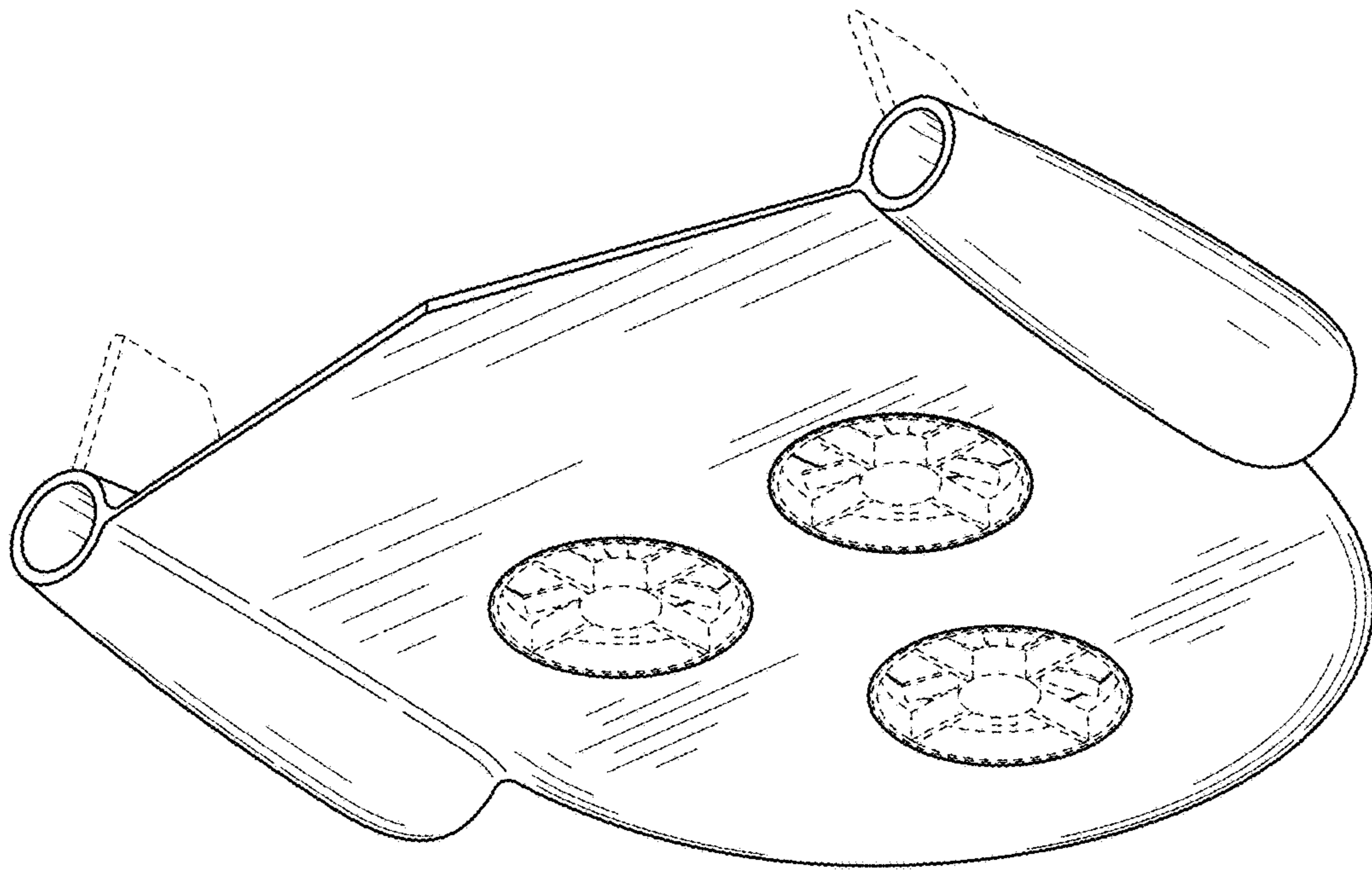


FIG. 10

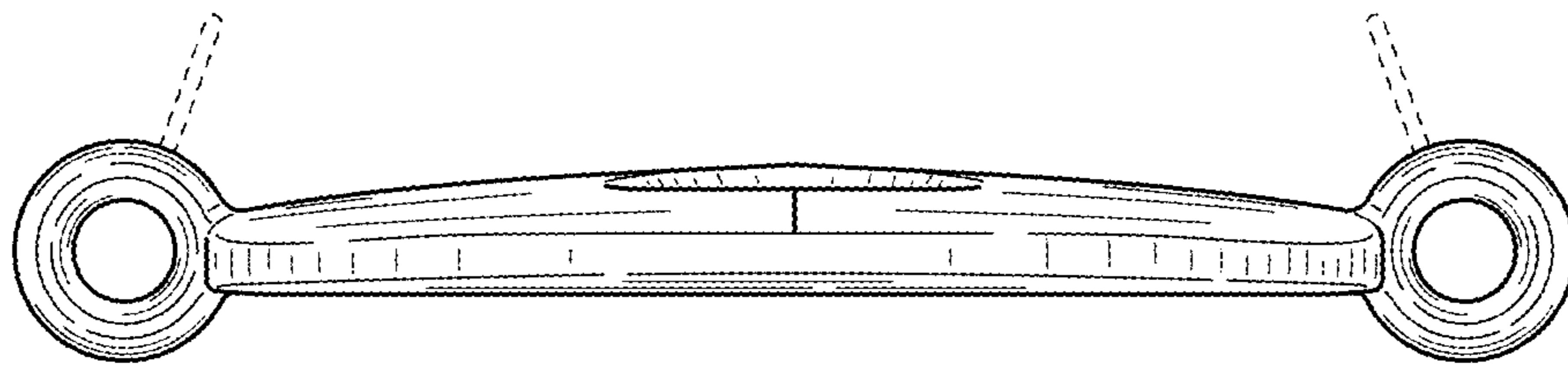


FIG. 11

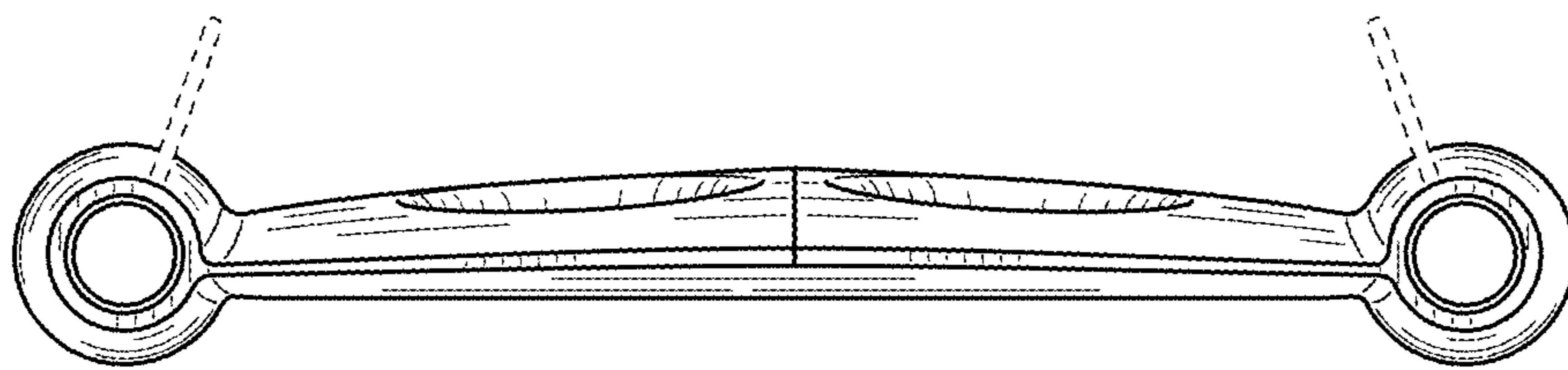


FIG. 12

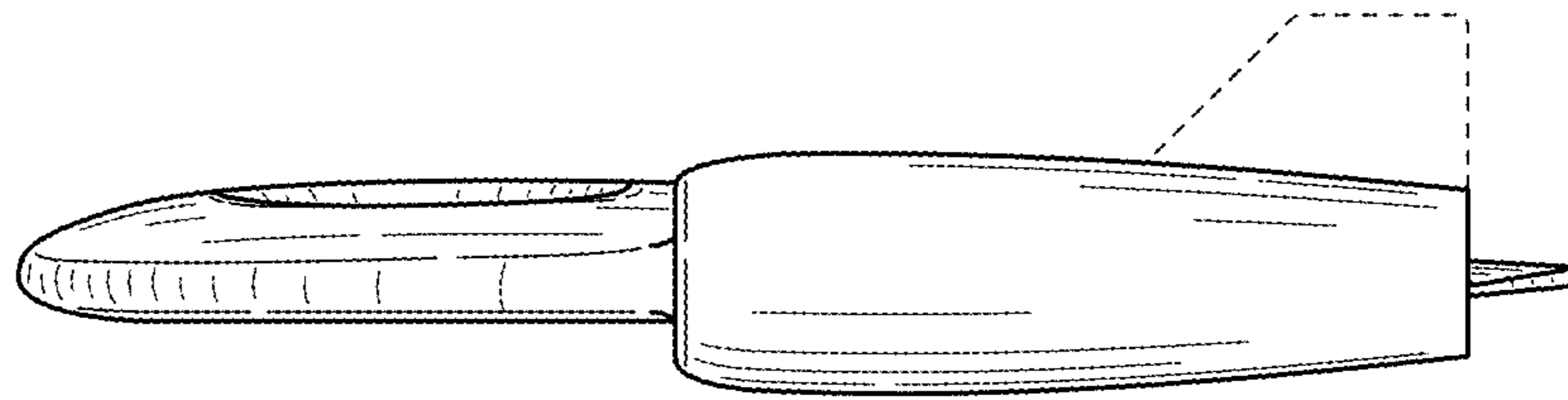


FIG. 13

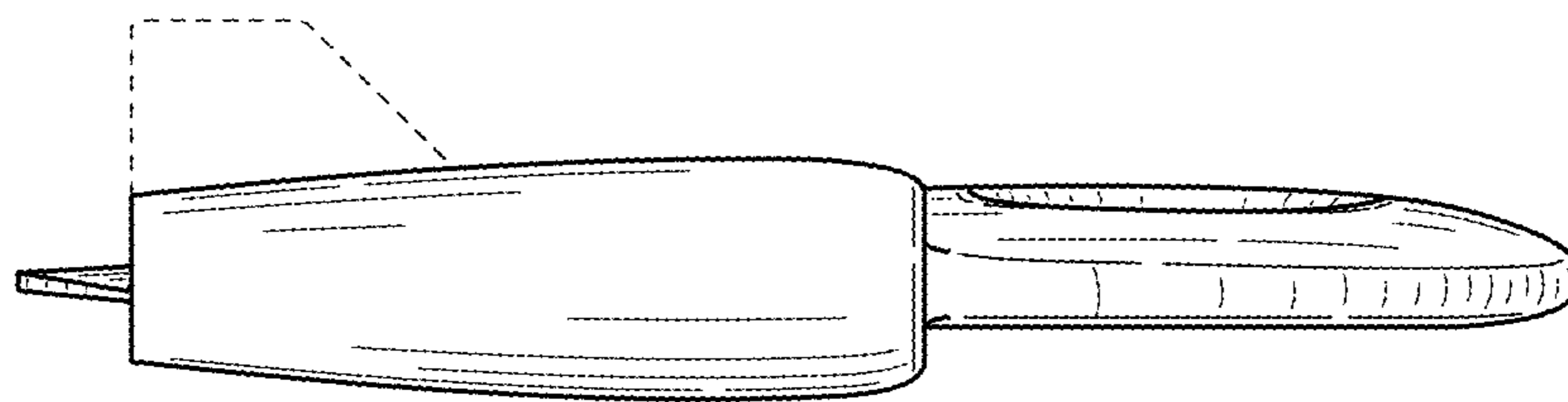


FIG. 14

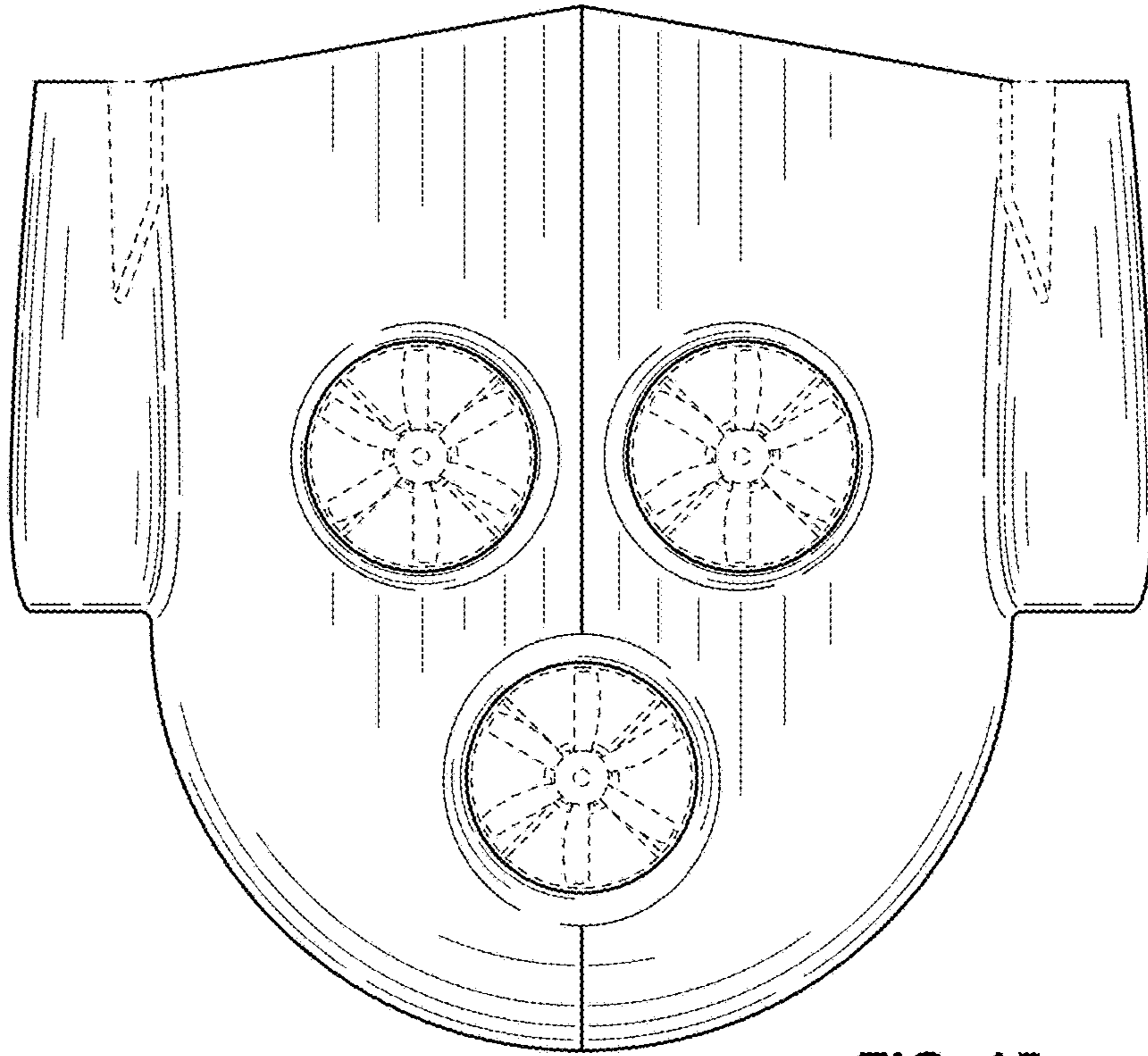


FIG. 15

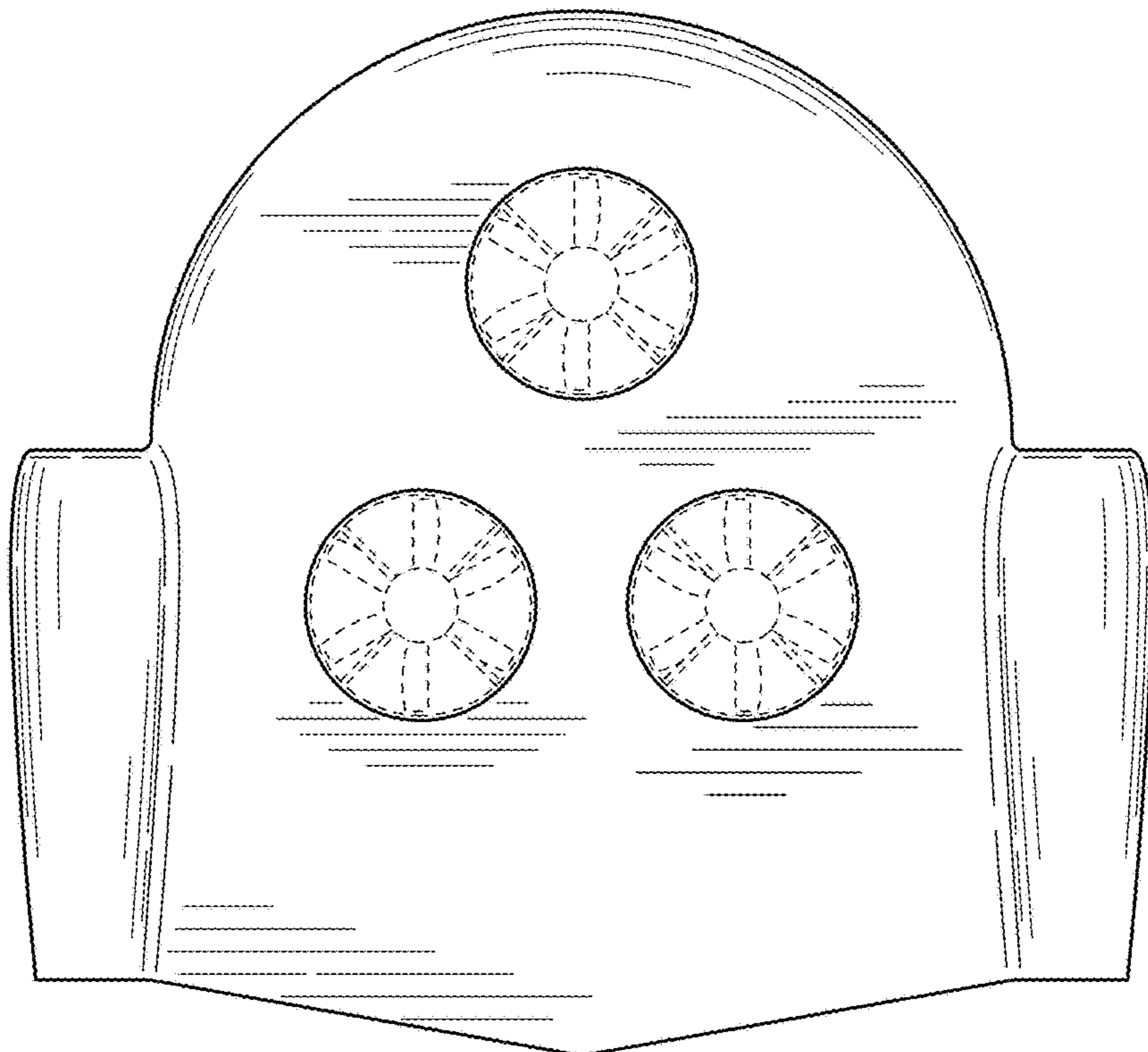


FIG. 16

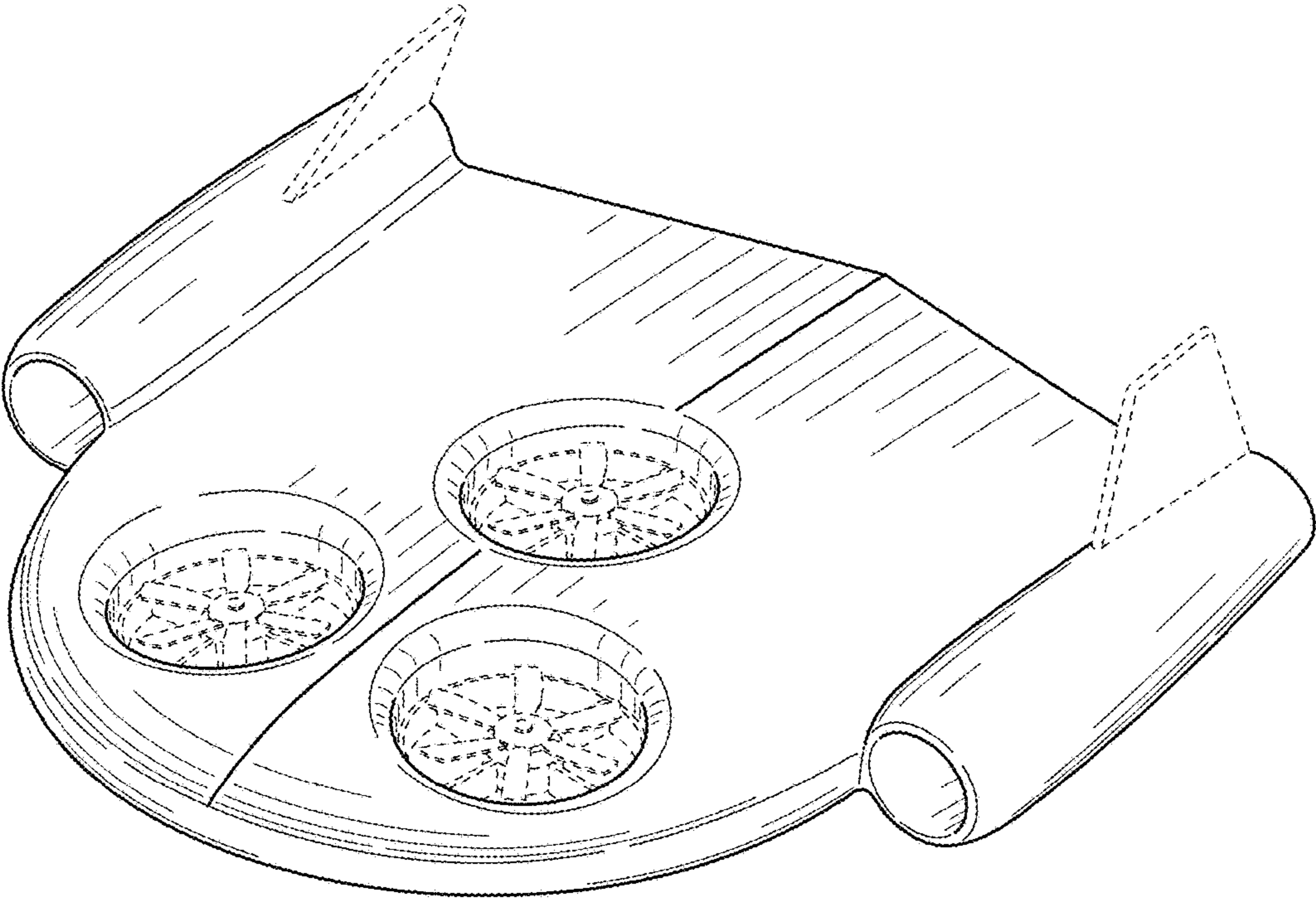


FIG. 17

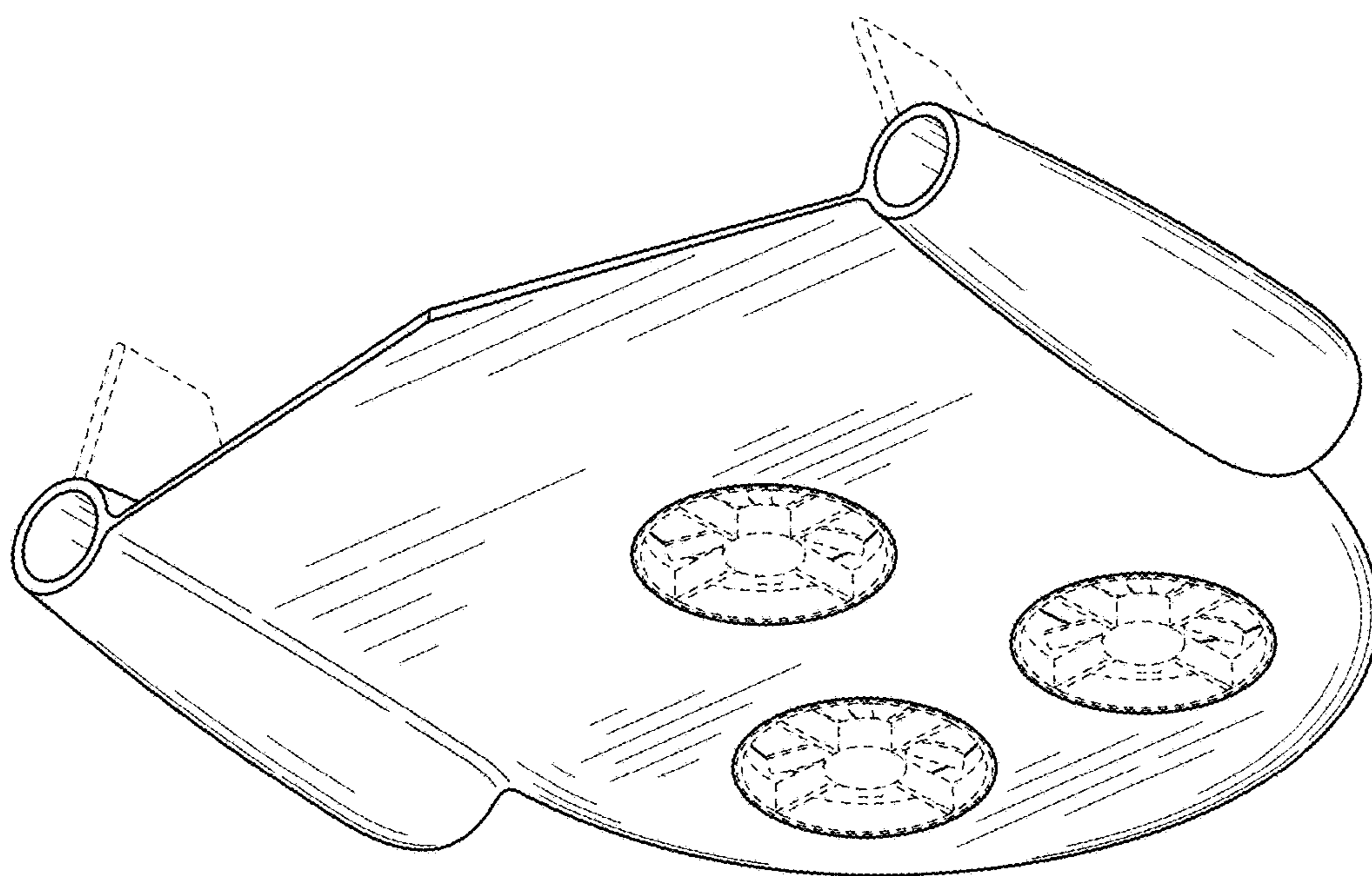


FIG. 18

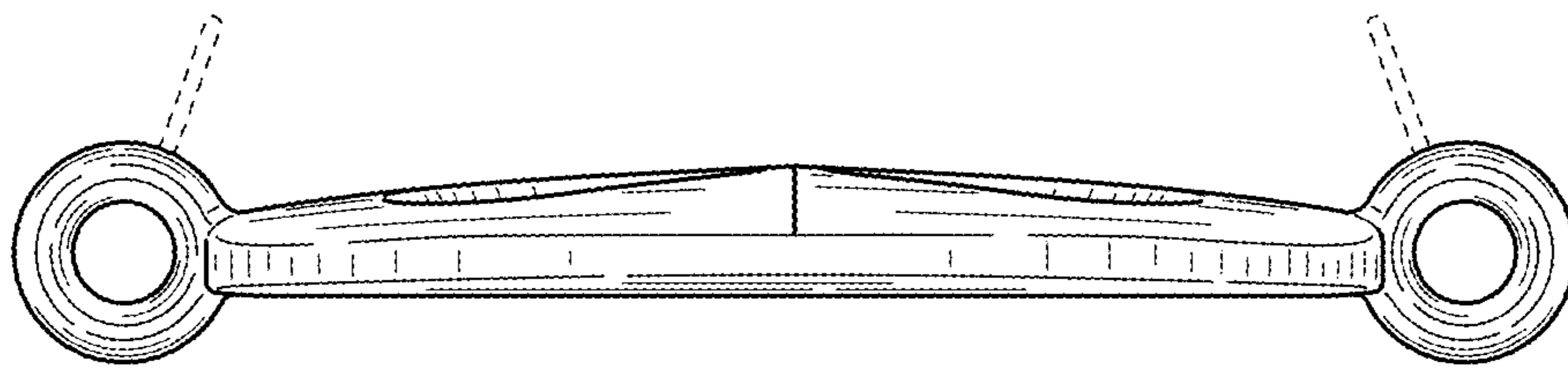


FIG. 19

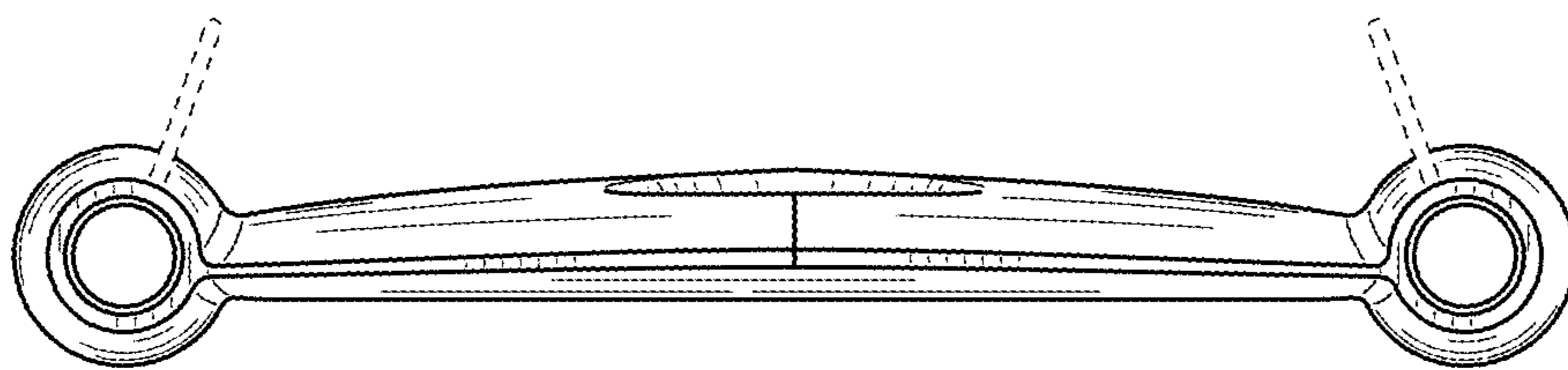


FIG. 20

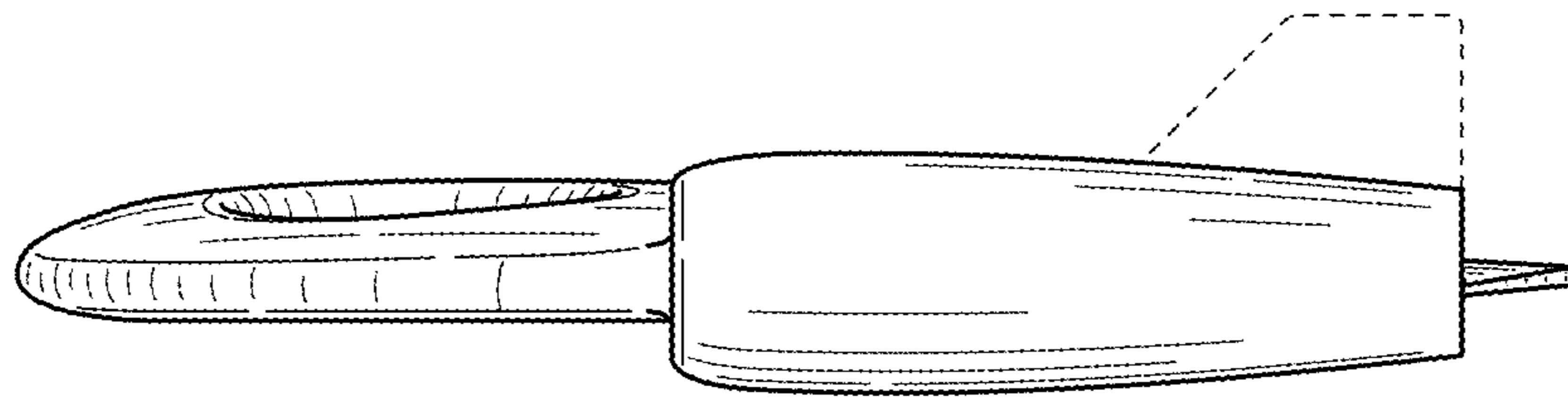


FIG. 21

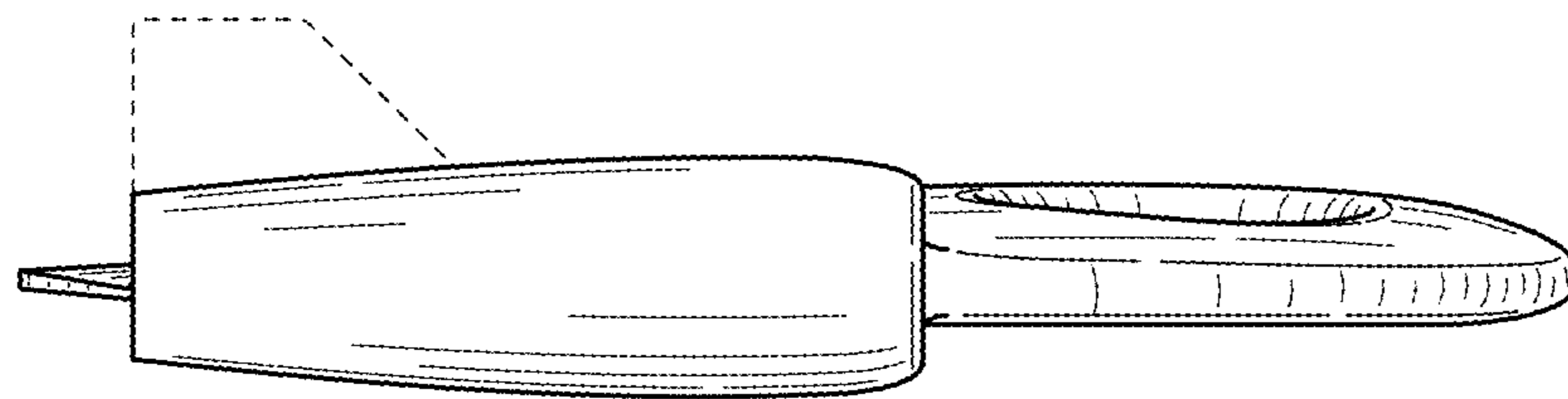


FIG. 22

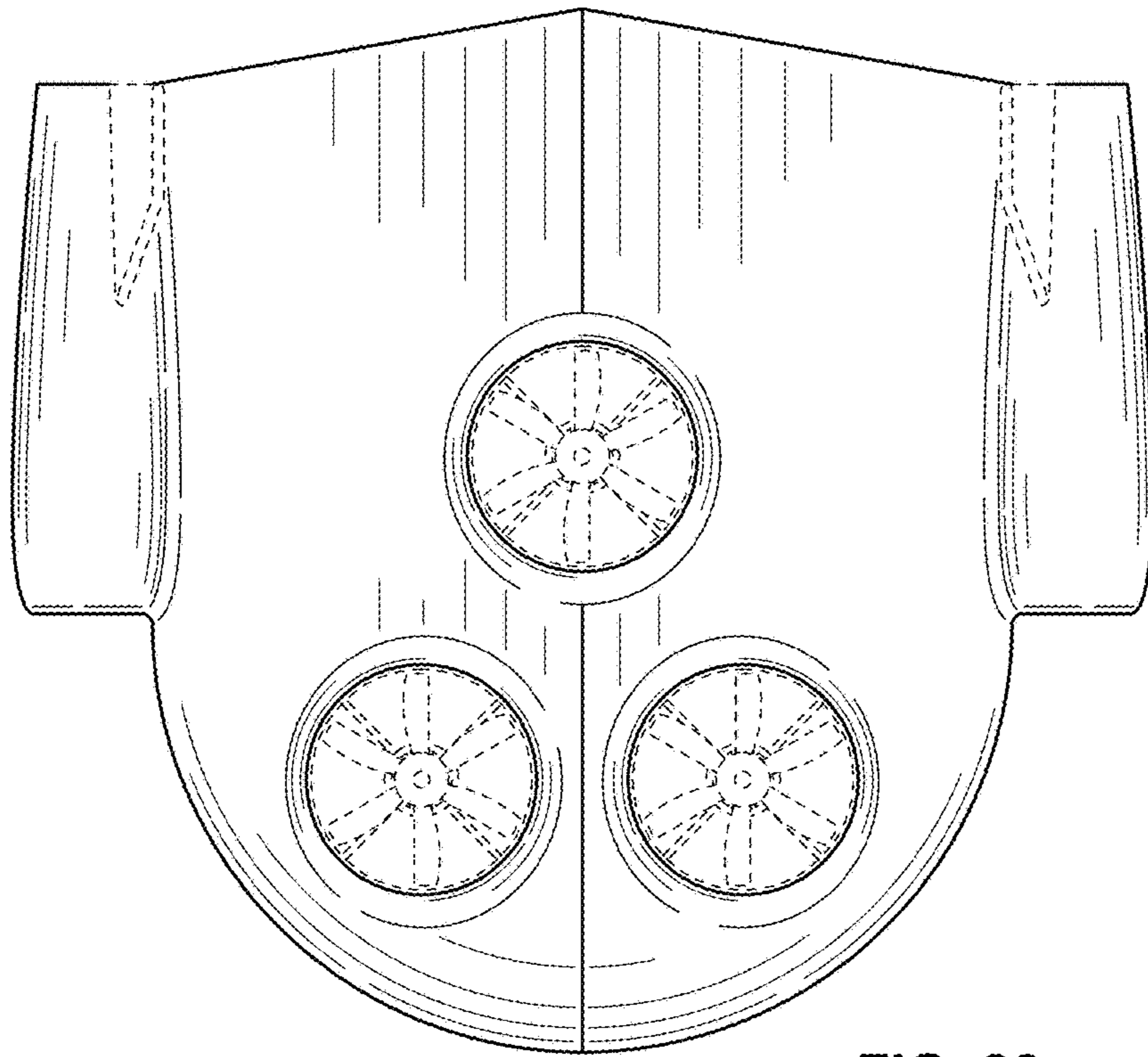


FIG. 23

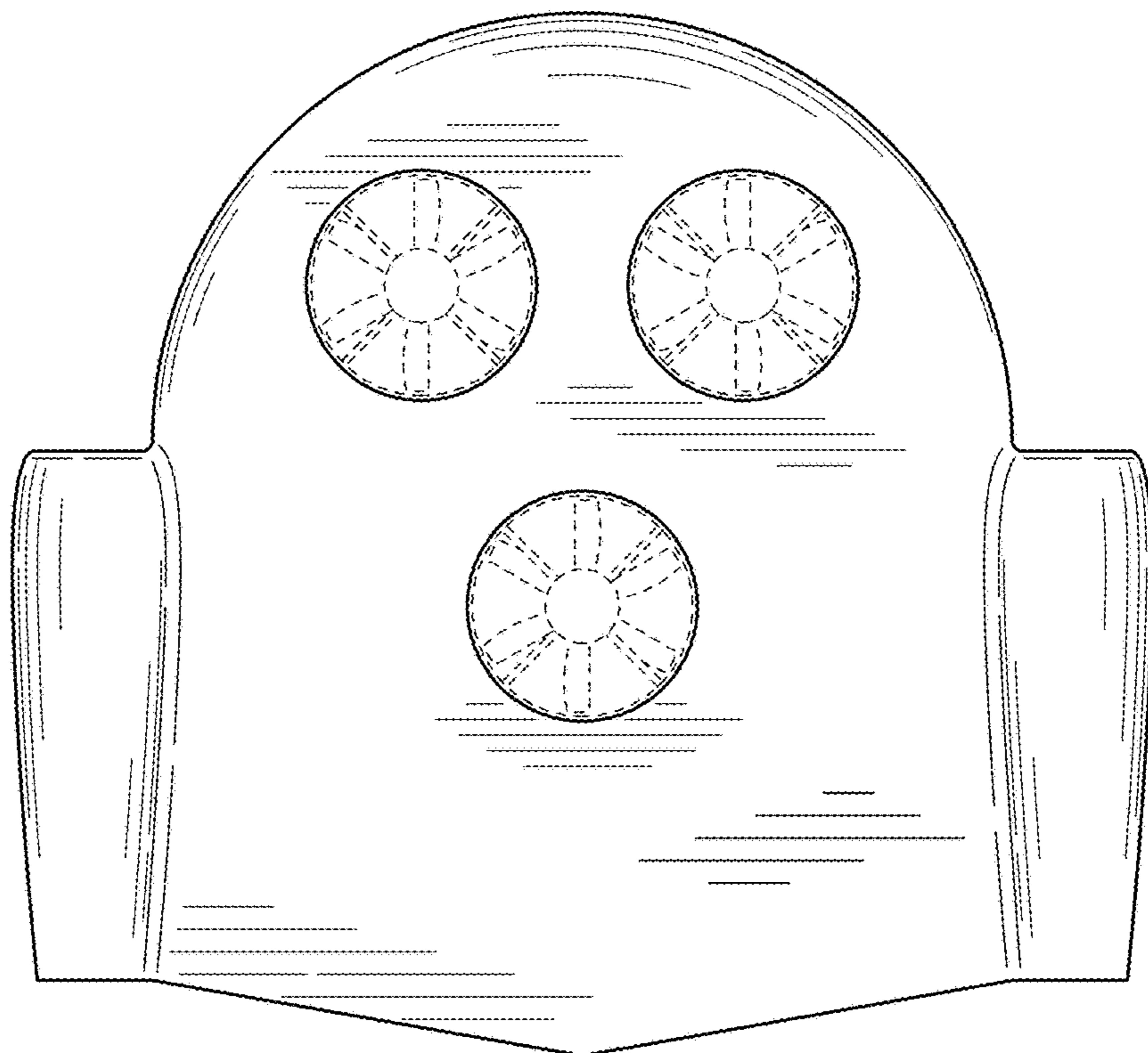


FIG. 24