



US00D808326S

(12) **United States Design Patent**
Chung

(10) **Patent No.:** **US D808,326 S**

(45) **Date of Patent:** **** Jan. 23, 2018**

(54) **WHEEL**

(71) Applicant: **HONDA MOTOR CO., LTD.**,
Minato-ku, Tokyo (JP)

(72) Inventor: **Jae Chung**, Irvine, CA (US)

(73) Assignee: **HONDA MOTOR CO., LTD.**, Tokyo
(JP)

(**) Term: **15 Years**

(21) Appl. No.: **29/576,155**

(22) Filed: **Aug. 31, 2016**

(51) **LOC (11) Cl.** **12-16**

(52) **U.S. Cl.**
USPC **D12/211**

(58) **Field of Classification Search**
USPC D12/204–213
CPC B60B 7/00; B60B 7/02; B60B 7/04; B60B
7/01; B60B 7/06; B60B 3/02; B60B 3/04;
B60B 3/06; B60B 3/10; B60B 1/00;
B60B 1/08; B60B 1/10; B60B 1/12
See application file for complete search history.

(56) **References Cited**

U.S. PATENT DOCUMENTS

D522,432 S *	6/2006	Pfeiffer	D12/209
D589,428 S *	3/2009	Scheu	D12/211
D620,417 S *	7/2010	Gallert	D12/209
D625,235 S *	10/2010	Nissl	D12/209
D627,287 S *	11/2010	Gallert	D12/209
D631,813 S *	2/2011	Nissl	D12/209
D645,389 S *	9/2011	Nissl	D12/209
D651,550 S *	1/2012	Elmitt	D12/209
D660,763 S *	5/2012	Chan	D12/209

D666,952 S *	9/2012	Pollmann	D12/209
D670,630 S *	11/2012	Flueckiger	D12/209
D680,934 S *	4/2013	Eda	D12/209
D723,986 S *	3/2015	Lemke	D12/209
D735,102 S *	7/2015	Swanseger	D12/209
D744,398 S *	12/2015	Nissl	D12/209
D747,248 S *	1/2016	Amezketta	D12/209
D748,030 S *	1/2016	Heizmann	D12/209
D751,483 S *	3/2016	Nicoghosian	D12/209
D758,273 S *	6/2016	Baum	D12/209
D759,559 S *	6/2016	Mielke	D12/209
D769,166 S *	10/2016	Juergens	D12/211
D789,859 S *	6/2017	Peat	D12/209

* cited by examiner

Primary Examiner — Stacia Cadmus

(74) *Attorney, Agent, or Firm* — Arent Fox LLP

(57) **CLAIM**

The ornamental design for a wheel, as shown and described.

DESCRIPTION

FIG. 1 is a front left perspective view of a wheel showing my new design;
 FIG. 2 is a rear left perspective view of the design shown in FIG. 1;
 FIG. 3 is a rear right perspective view of the design shown in FIG. 1;
 FIG. 4 is a front right perspective view of the design shown in FIG. 1;
 FIG. 5 is a left side view of the design shown in FIG. 1;
 FIG. 6 is a right side view of the design shown in FIG. 1;
 FIG. 7 is a rear view of the design shown in FIG. 1;
 FIG. 8 is a front view of the design shown in FIG. 1;
 FIG. 9 is a top view of the design shown in FIG. 1; and,
 FIG. 10 is a bottom view of the design shown in FIG. 1.

1 Claim, 10 Drawing Sheets

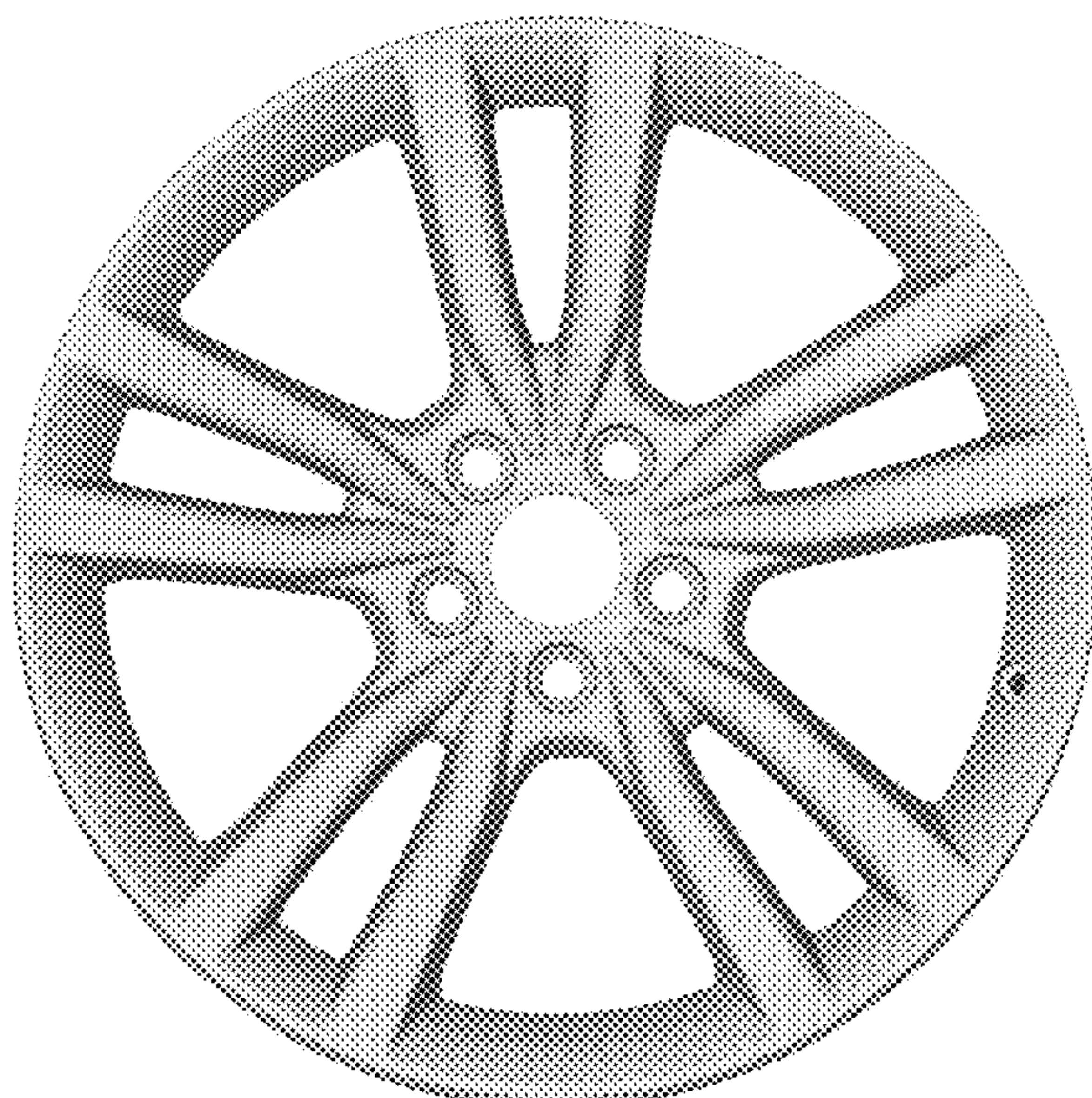
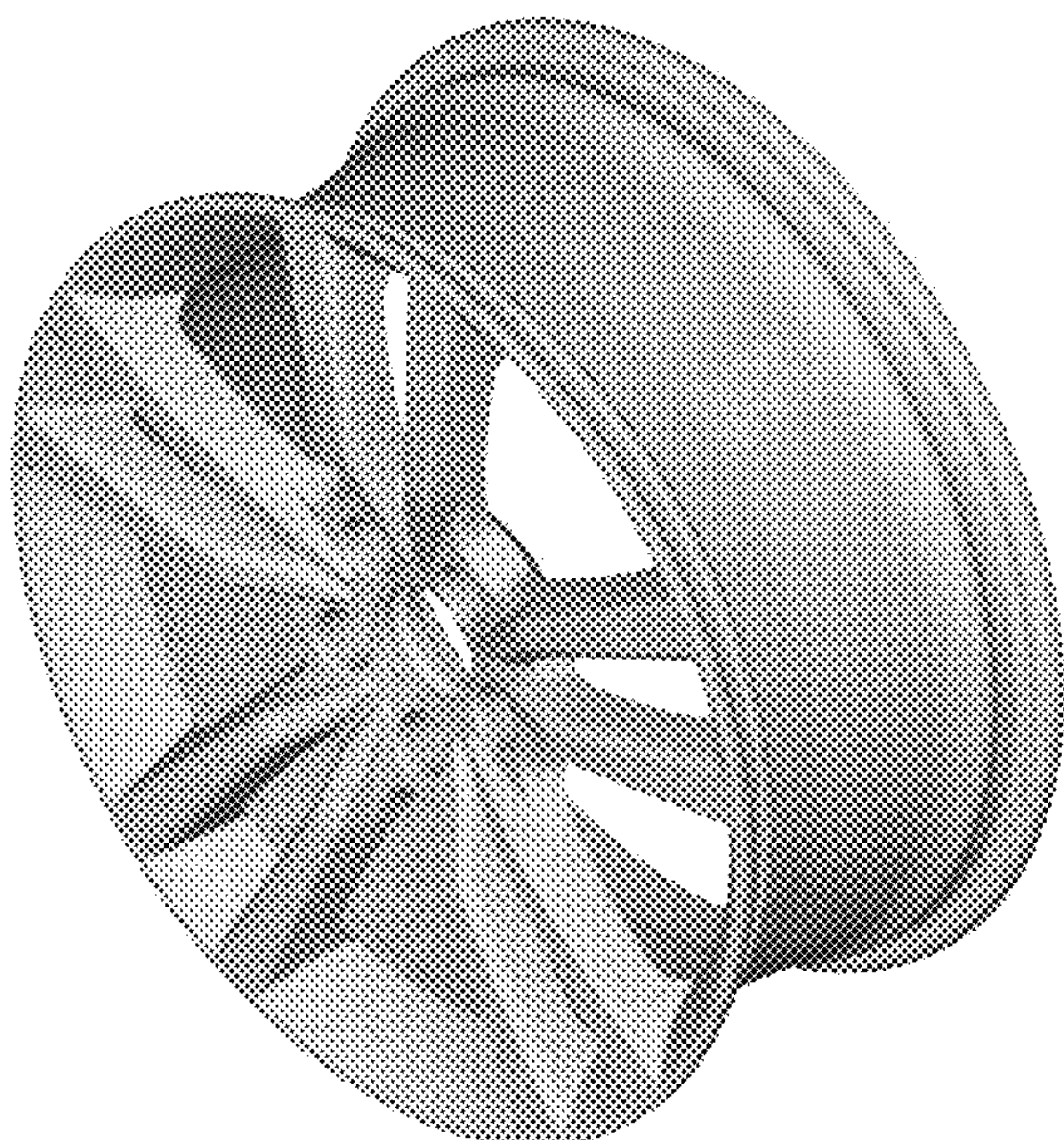




FIGURE 1

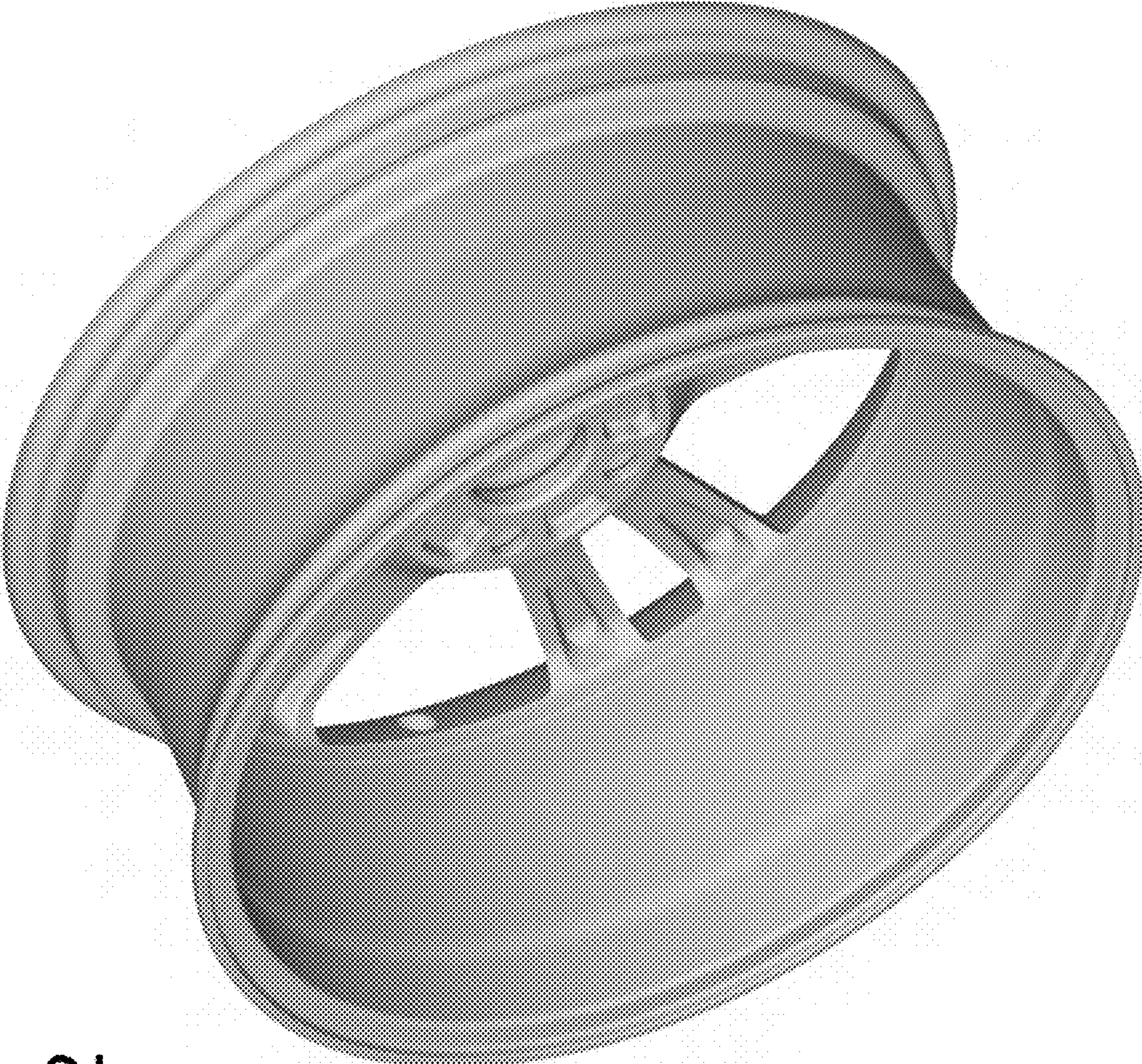


FIGURE 2

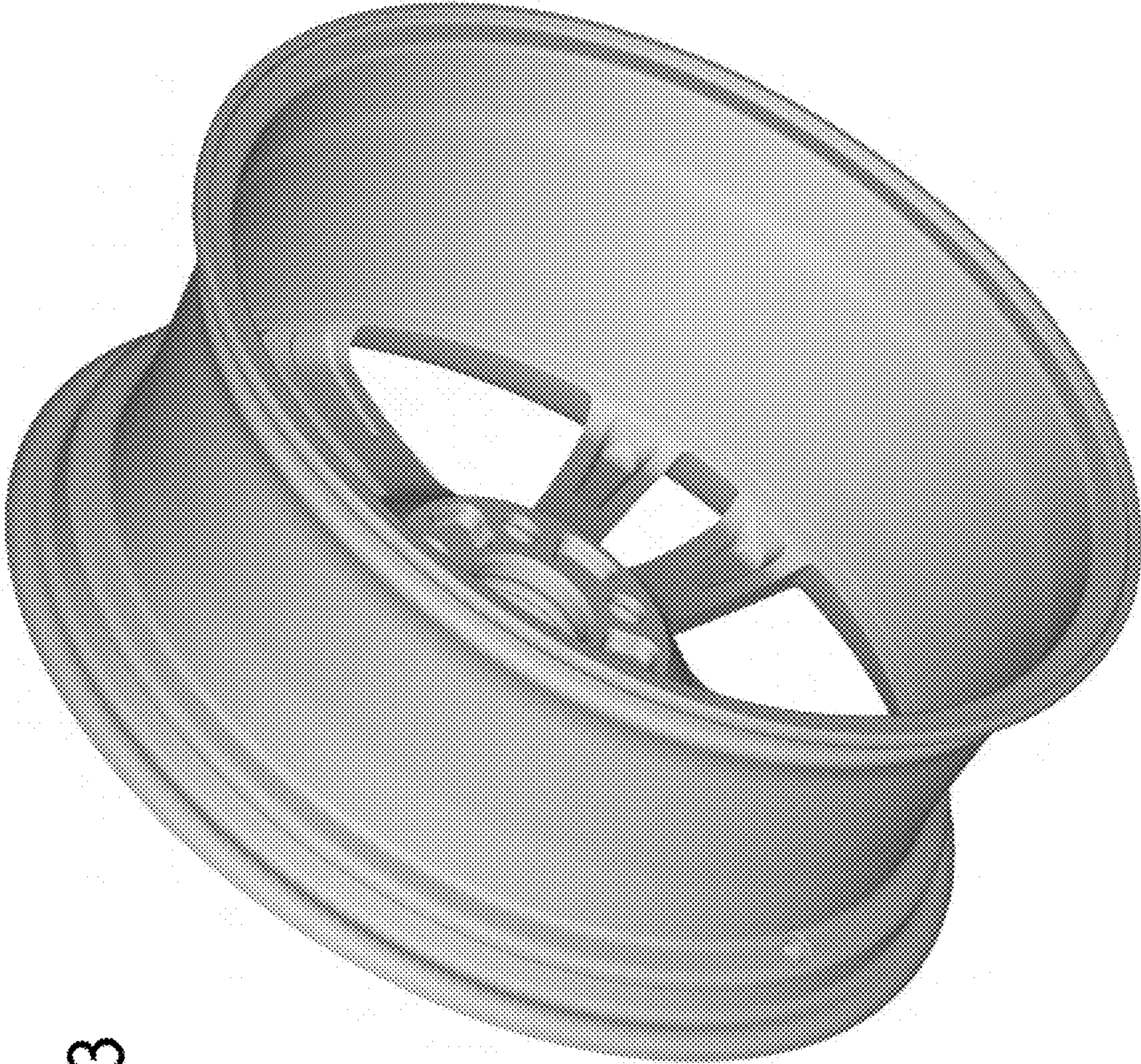


FIGURE 3

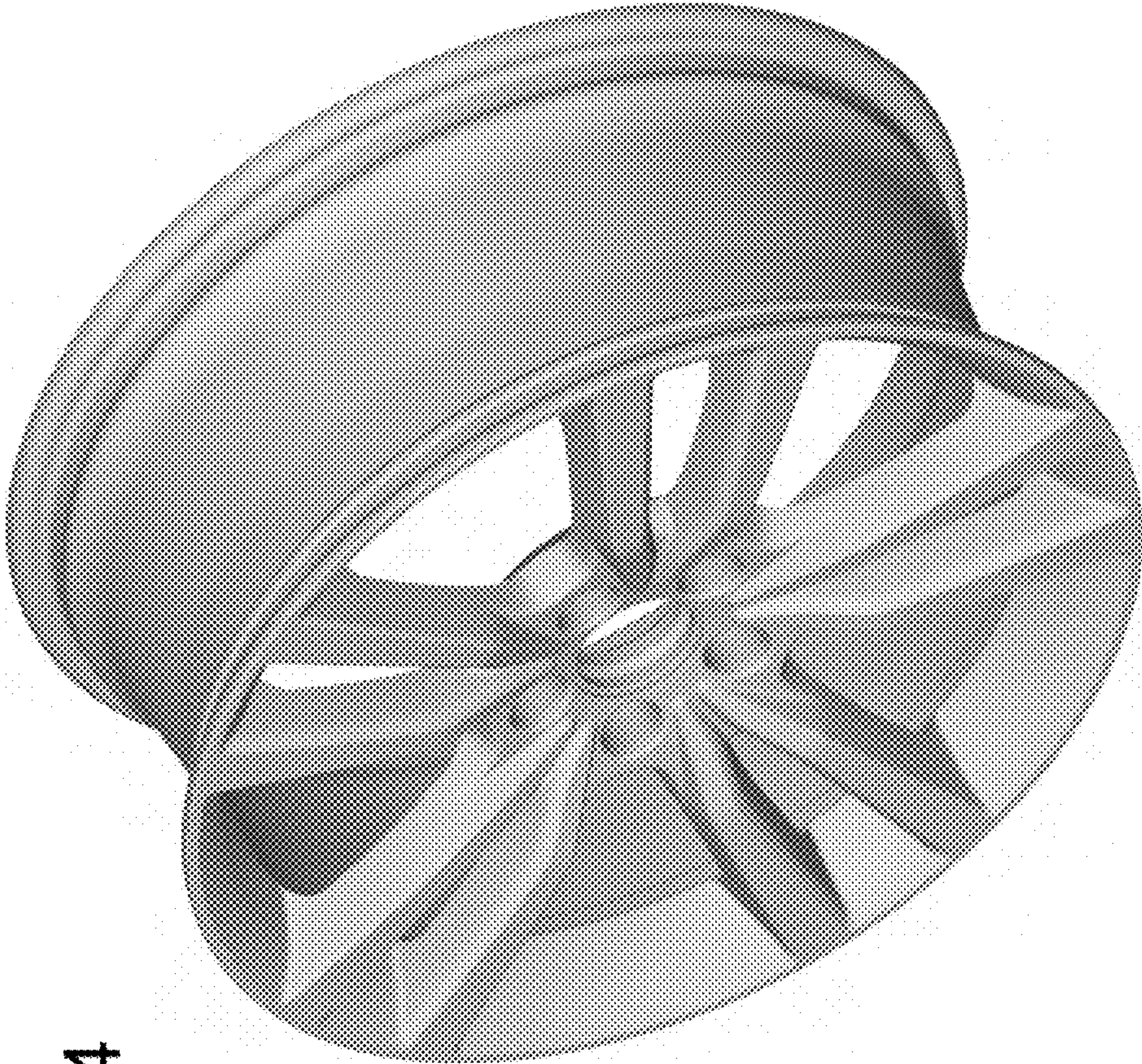


FIGURE 4

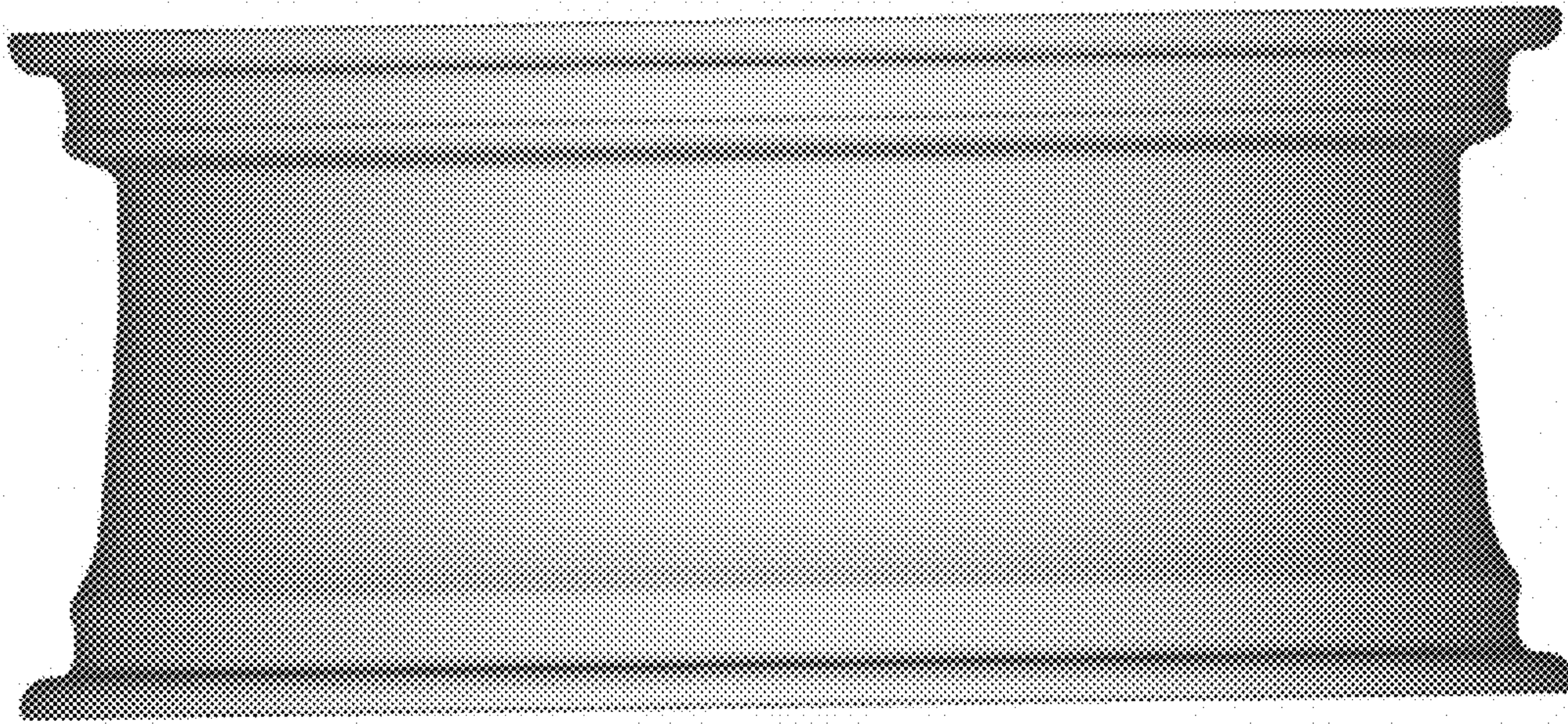


FIGURE 5

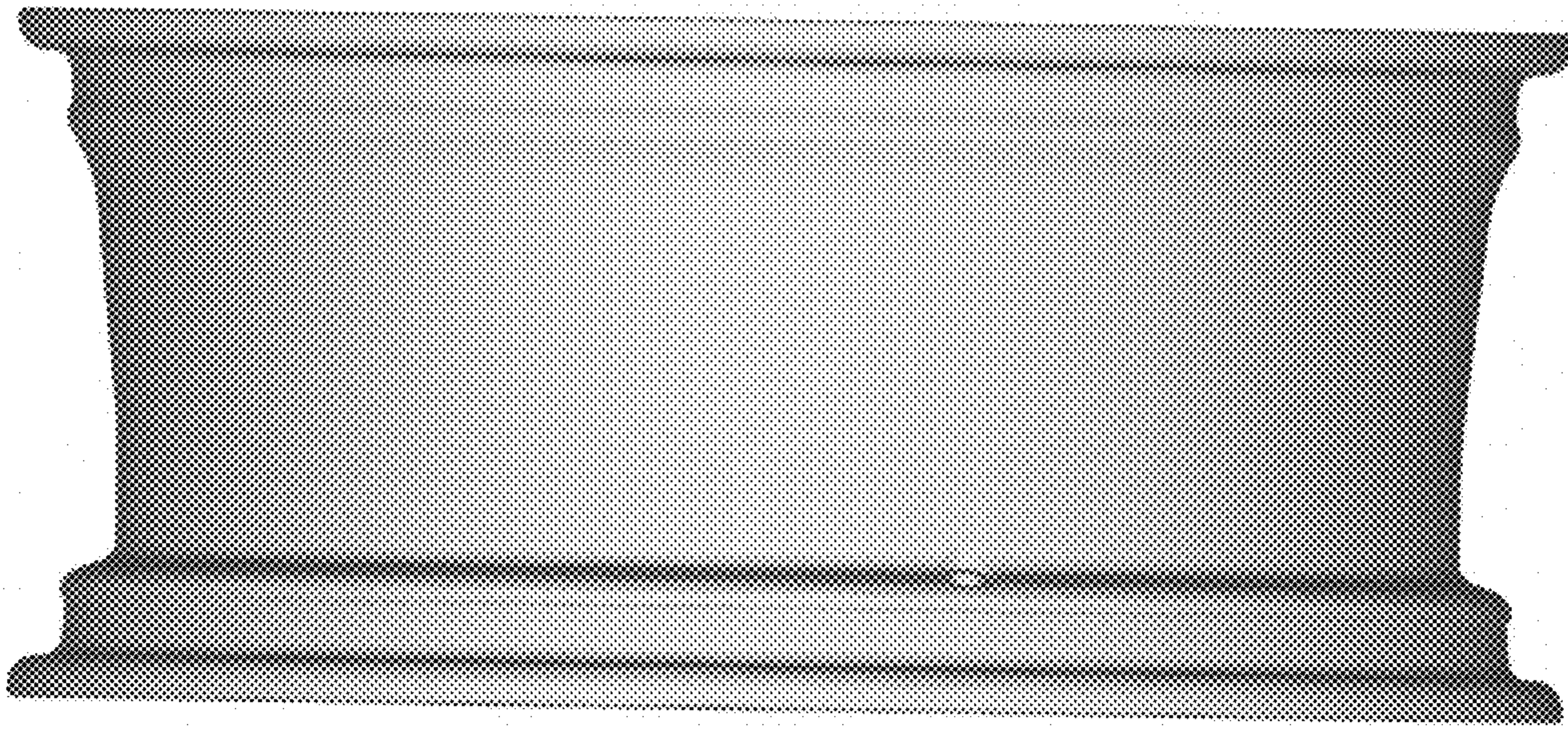


FIGURE 6



FIGURE 7



FIGURE 8

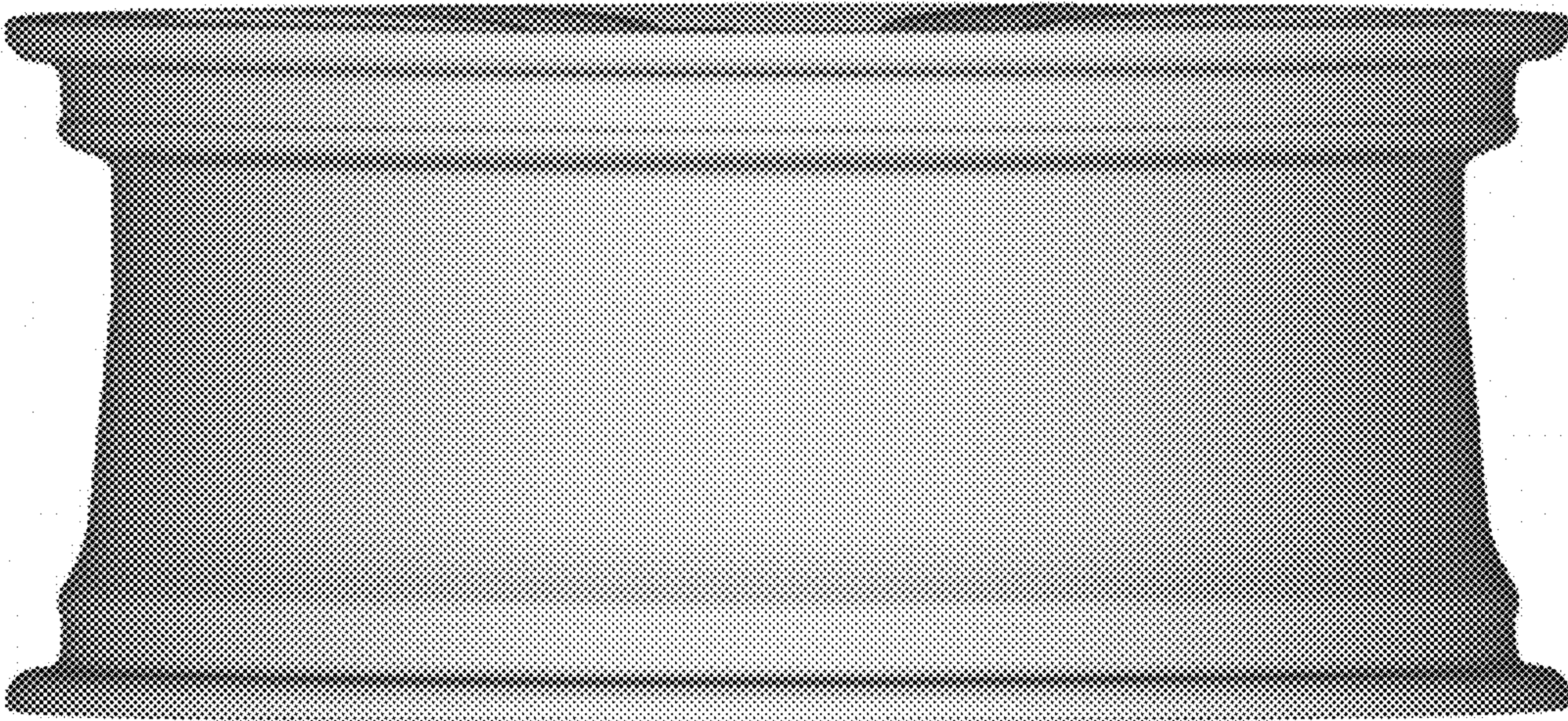


FIGURE 9

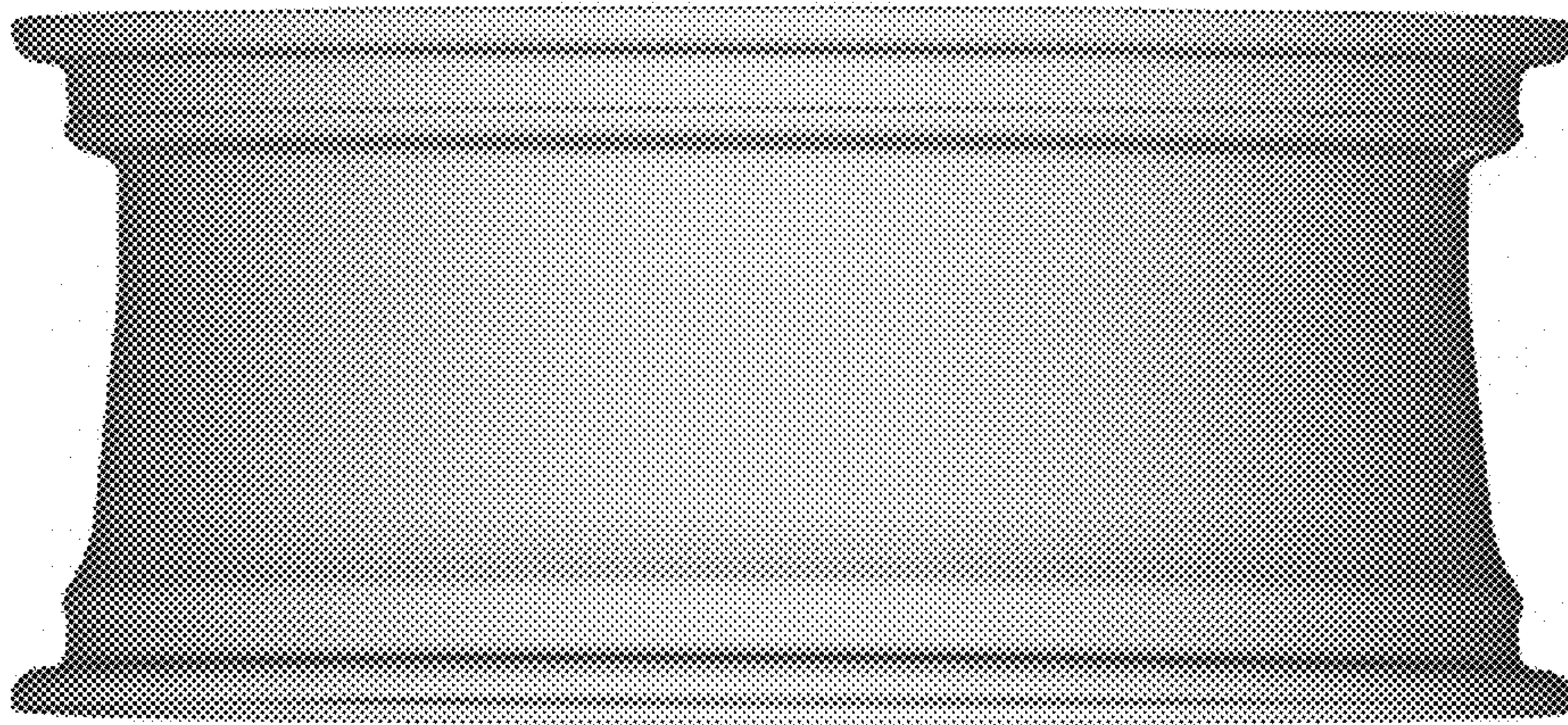


FIGURE 10