



US00D808324S

(12) **United States Design Patent**
Ninov et al.

(10) **Patent No.:** **US D808,324 S**
(45) **Date of Patent:** **** Jan. 23, 2018**

(54) **AUTOMOBILE WHEEL**

(71) Applicants: **Deyan Ninov**, Royal Oak, MI (US);
Mohamad Hammoud, Lake Orion, MI (US); **Mark T Allen**, Oxford, MI (US)

(72) Inventors: **Deyan Ninov**, Royal Oak, MI (US);
Mohamad Hammoud, Lake Orion, MI (US); **Mark T Allen**, Oxford, MI (US)

(73) Assignee: **FCA US LLC**, Auburn Hills, MI (US)

(**) Term: **15 Years**

(21) Appl. No.: **29/555,843**

(22) Filed: **Feb. 25, 2016**

(51) **LOC (11) Cl.** **12-16**

(52) **U.S. Cl.**
USPC **D12/211**

(58) **Field of Classification Search**
USPC D12/204–213
CPC B60B 7/00; B60B 7/02; B60B 7/04; B60B 7/01; B60B 7/06; B60B 3/02; B60B 3/04; B60B 3/06; B60B 3/10; B60B 1/00; B60B 1/08; B60B 1/10; B60B 1/12
See application file for complete search history.

(56) **References Cited**

U.S. PATENT DOCUMENTS

D639,716 S * 6/2011 Juergens D12/211
D670,632 S * 11/2012 Schweizer D12/211

D672,702 S * 12/2012 Pollmann D12/211
D730,795 S * 6/2015 Mays D12/209
D744,403 S * 12/2015 Mielke D12/211
D751,019 S * 3/2016 Behmer D12/211
D753,571 S * 4/2016 Juergens D12/211
D761,182 S * 7/2016 Valencia Pollex D12/211
D763,760 S * 8/2016 Gale D12/209
D773,370 S * 12/2016 Bucher D12/211
D782,383 S * 3/2017 Owens D12/209
D788,005 S * 5/2017 Peat D12/211
D791,050 S * 7/2017 Juergens D12/211
D792,830 S * 7/2017 Groth D12/211

* cited by examiner

Primary Examiner — Stacia Cadmus

(74) *Attorney, Agent, or Firm* — Ralph E. Smith

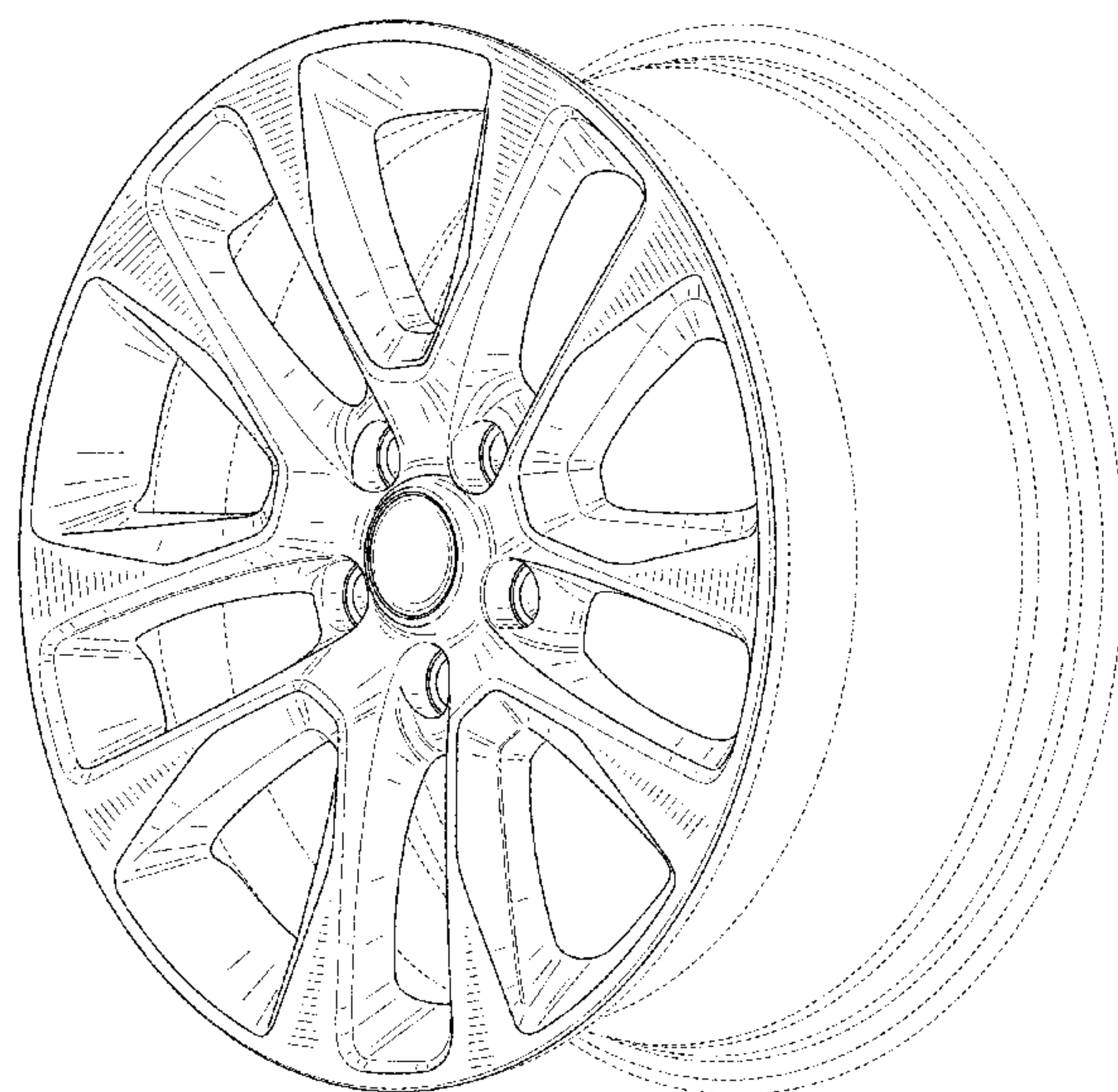
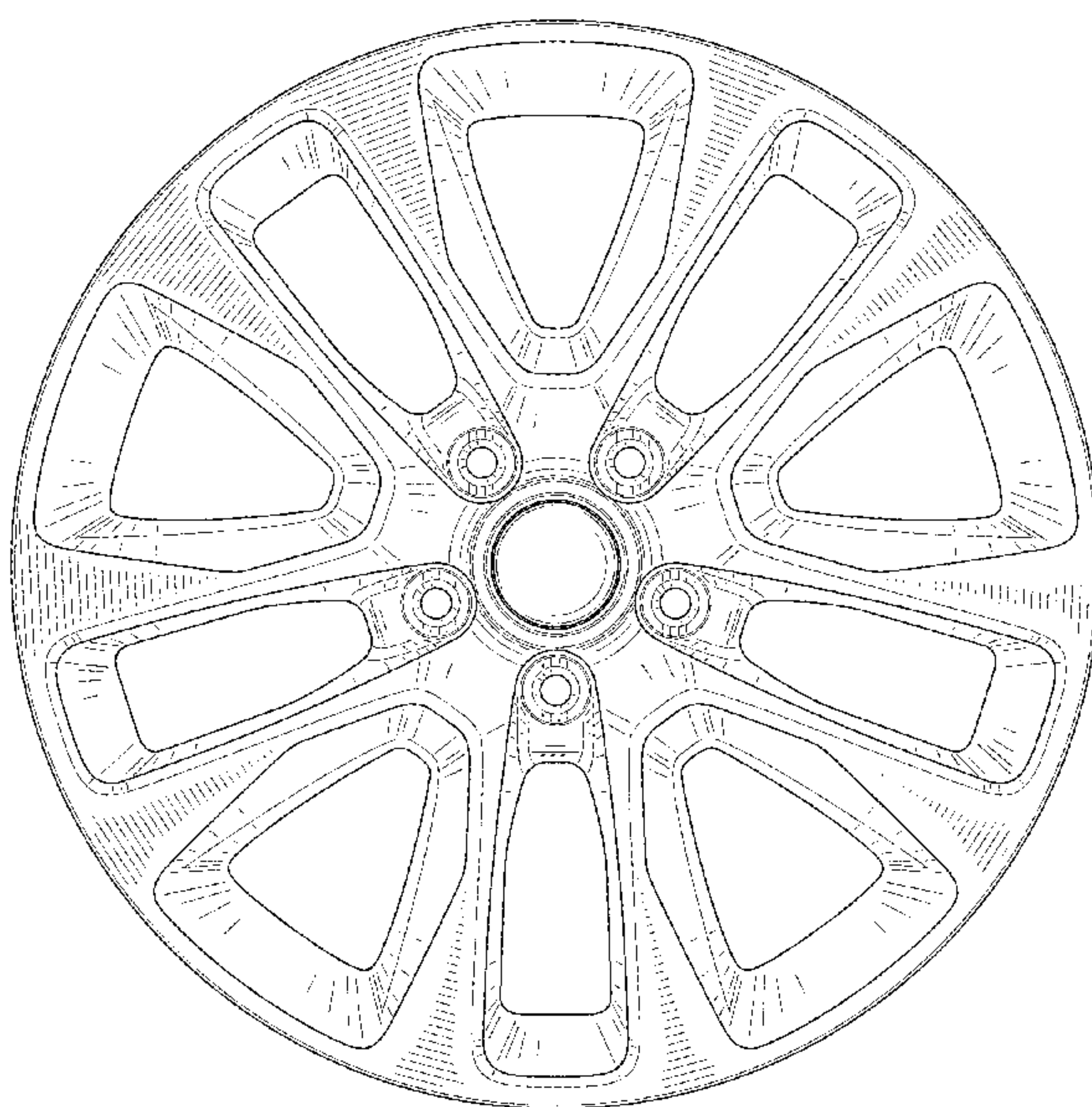
(57) **CLAIM**

The ornamental design for an automobile wheel, as shown and described.

DESCRIPTION

FIG. 1 is a left side perspective view of an automobile wheel showing our new design; FIG. 2 is a front view thereof; and, FIG. 3 is a right side perspective view. It will be understood that the broken lines shown in the drawings illustrate portions of the automobile wheel that form no part of claimed design.

1 Claim, 3 Drawing Sheets



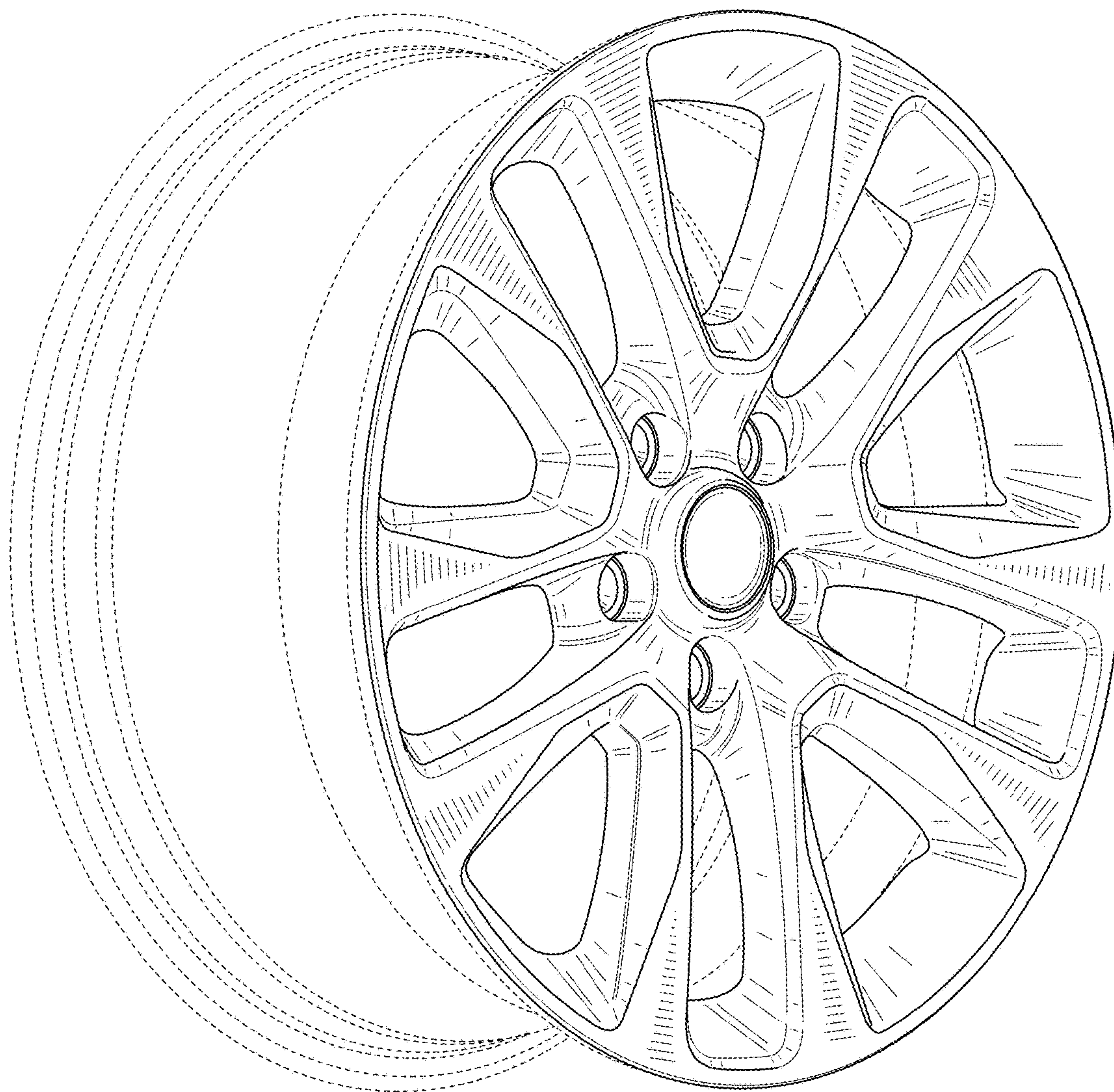


FIG. 1

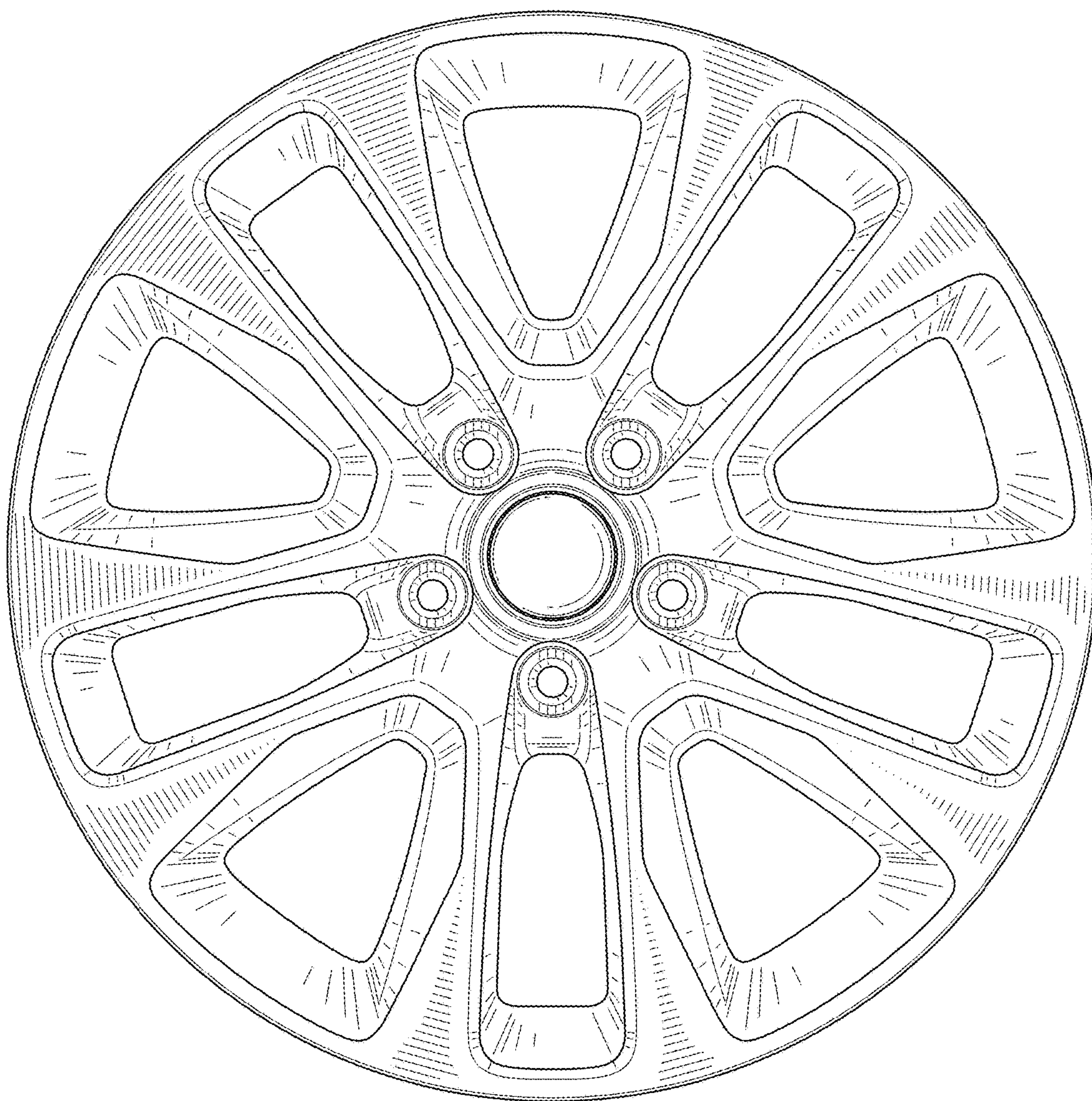


FIG. 2

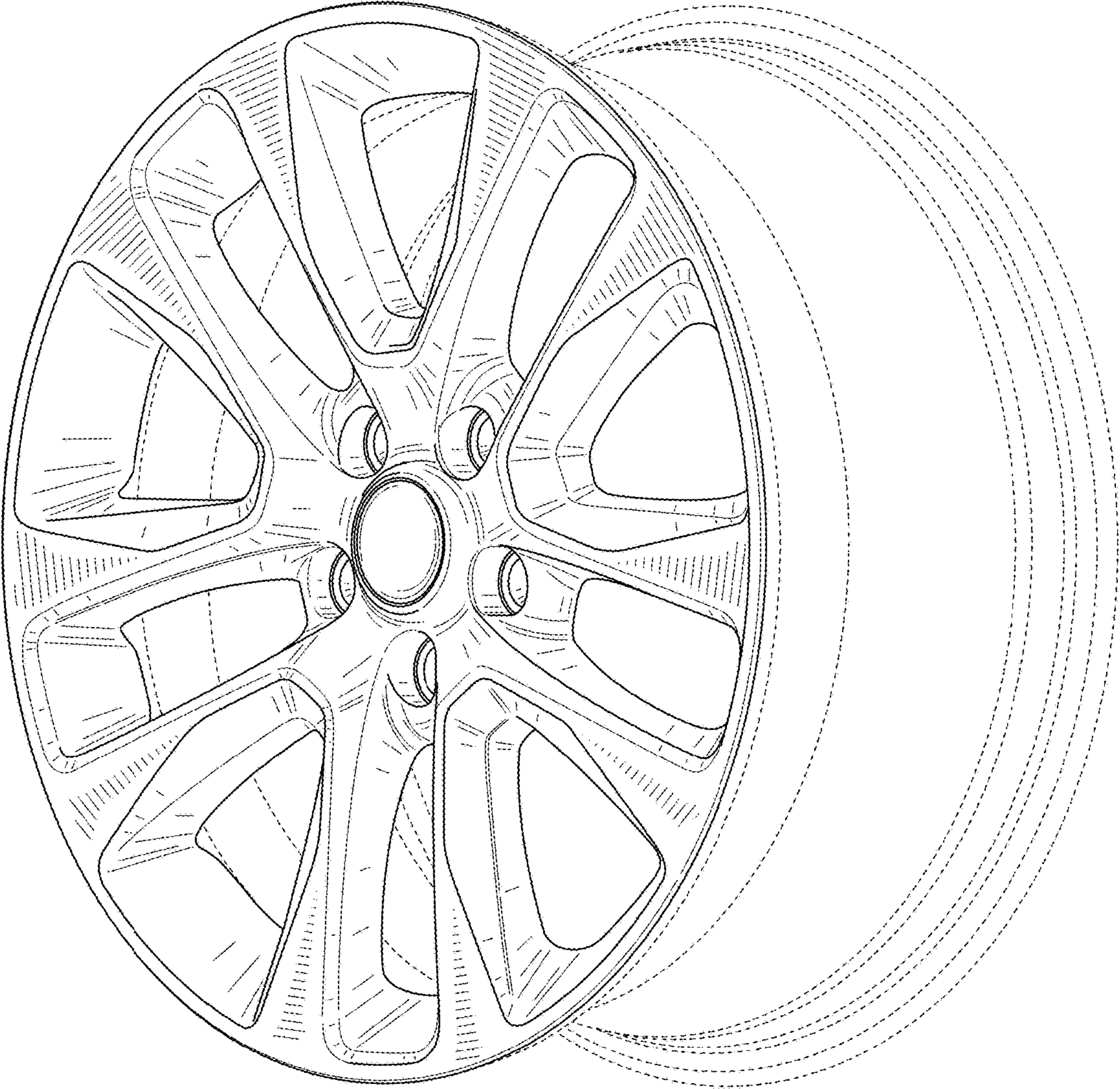


FIG. 3