



US00D808320S

(12) **United States Design Patent**
Nagano

(10) **Patent No.:** **US D808,320 S**
(45) **Date of Patent:** **** Jan. 23, 2018**

(54) **EXHAUST PIPE FIXTURE FOR A WORK VEHICLE**

(71) Applicant: **ISEKI & CO., LTD.**, Ehime-ken (JP)

(72) Inventor: **Ryota Nagano**, Ehime-ken (JP)

(73) Assignee: **ISEKI & CO., LTD.** (JP)

(**) Term: **15 Years**

(21) Appl. No.: **29/547,926**

(22) Filed: **Dec. 9, 2015**

(30) **Foreign Application Priority Data**

Jul. 27, 2015 (JP) 2015-016639

(51) **LOC (11) Cl.** **12-16**

(52) **U.S. Cl.**
USPC **D12/194**

(58) **Field of Classification Search**
USPC D12/190, 194, 42-43, 317, 345, 106,
D12/114, 172

CPC F02B 33/02; F02B 27/00; F02B 27/06;
F01N 1/00; F01N 1/24; F01N 1/04; F01N
3/28; F01N 3/10; F01N 3/035; F01N
3/00; F01N 3/023; F01N 3/025; F01N
3/02; F01N 3/05; F01N 13/00; F01N
13/04; F01N 13/1805; F01N 13/08; F01N
13/082; F01N 7/14; F01N 7/24; F01N
7/08; F01N 7/18; F01N 2340/04; B60K
13/04; B60K 13/00

See application file for complete search history.

(56) **References Cited**

U.S. PATENT DOCUMENTS

2,975,854 A * 3/1961 Bakke F01N 1/089
181/239

D684,910 S * 6/2013 Song D12/194

2011/0283687 A1 * 11/2011 Dobler F01N 13/1805
60/299

2016/0305305 A1 * 10/2016 Nagano F01N 13/14

FOREIGN PATENT DOCUMENTS

JP D1551300 * 7/2015

JP D1551983 * 7/2015

JP 2016079866 A * 5/2016

* cited by examiner

Primary Examiner — Barbara Fox

Assistant Examiner — Messina L Smith

(74) *Attorney, Agent, or Firm* — Finnegan, Henderson,
Farabow, Garrett & Dunner, L.L.P.

(57) **CLAIM**

The ornamental design for an exhaust pipe fixture for a work vehicle, as shown and described.

DESCRIPTION

FIG. 1 is a front perspective view of an exhaust pipe for a work vehicle, showing my new design;

FIG. 2 is a right side view thereof;

FIG. 3 is a left side view thereof;

FIG. 4 is a front elevation view thereof;

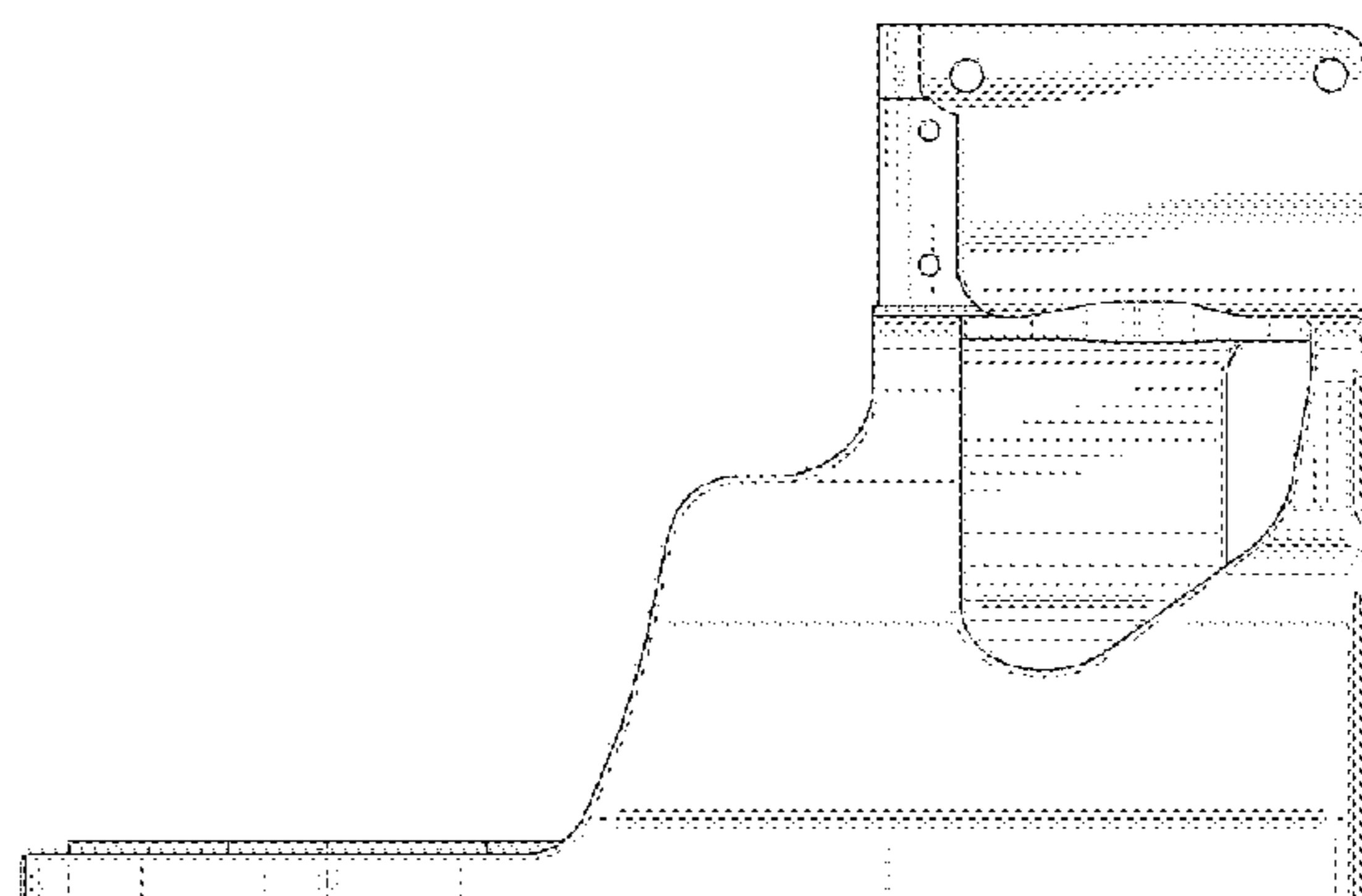
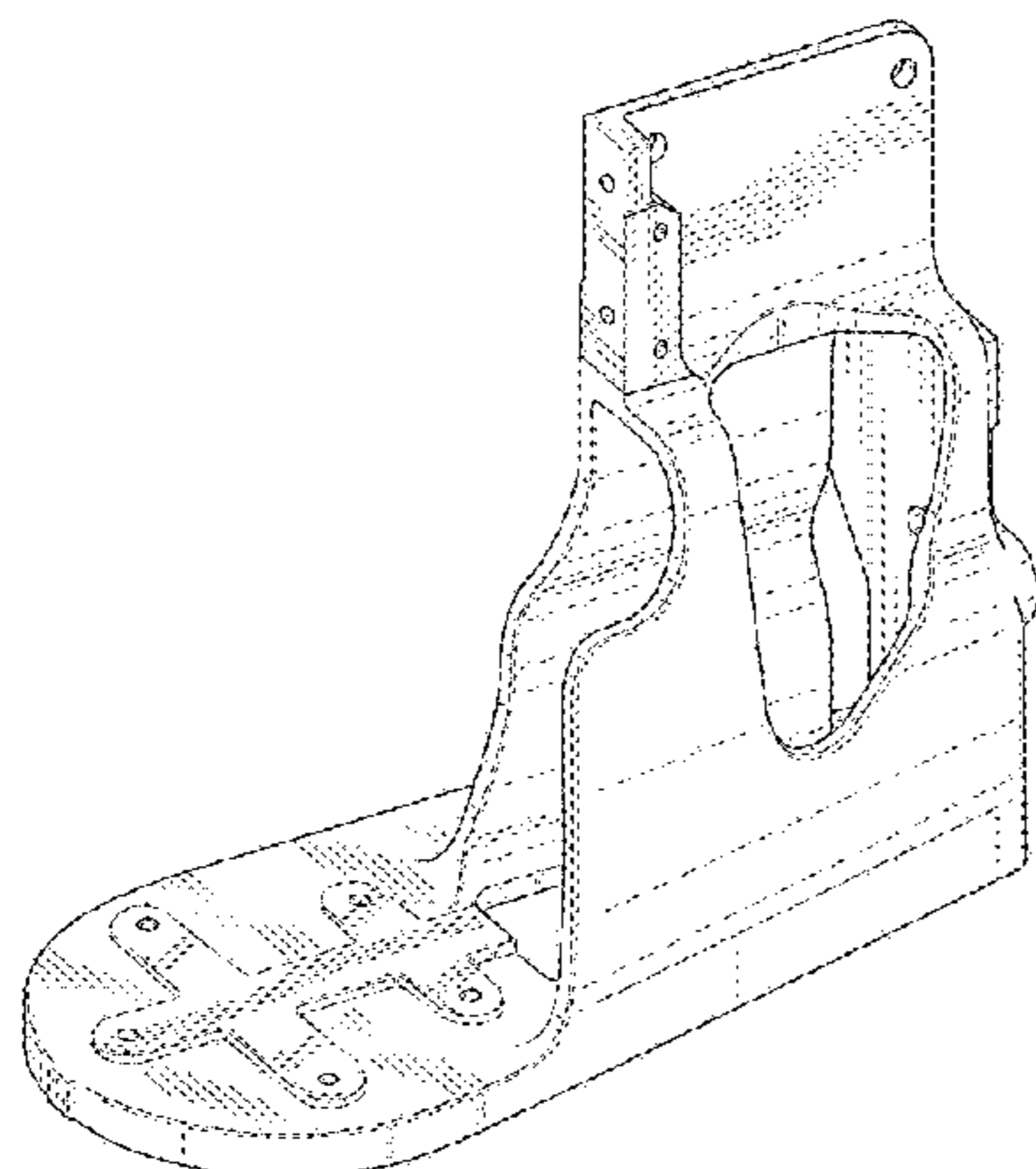
FIG. 5 is a rear elevation view thereof;

FIG. 6 is a top view thereof; and,

FIG. 7 is a bottom view thereof.

The broken lines shown in the drawings depict portions of the exhaust pipe fixture that form no part of the claimed design.

1 Claim, 7 Drawing Sheets



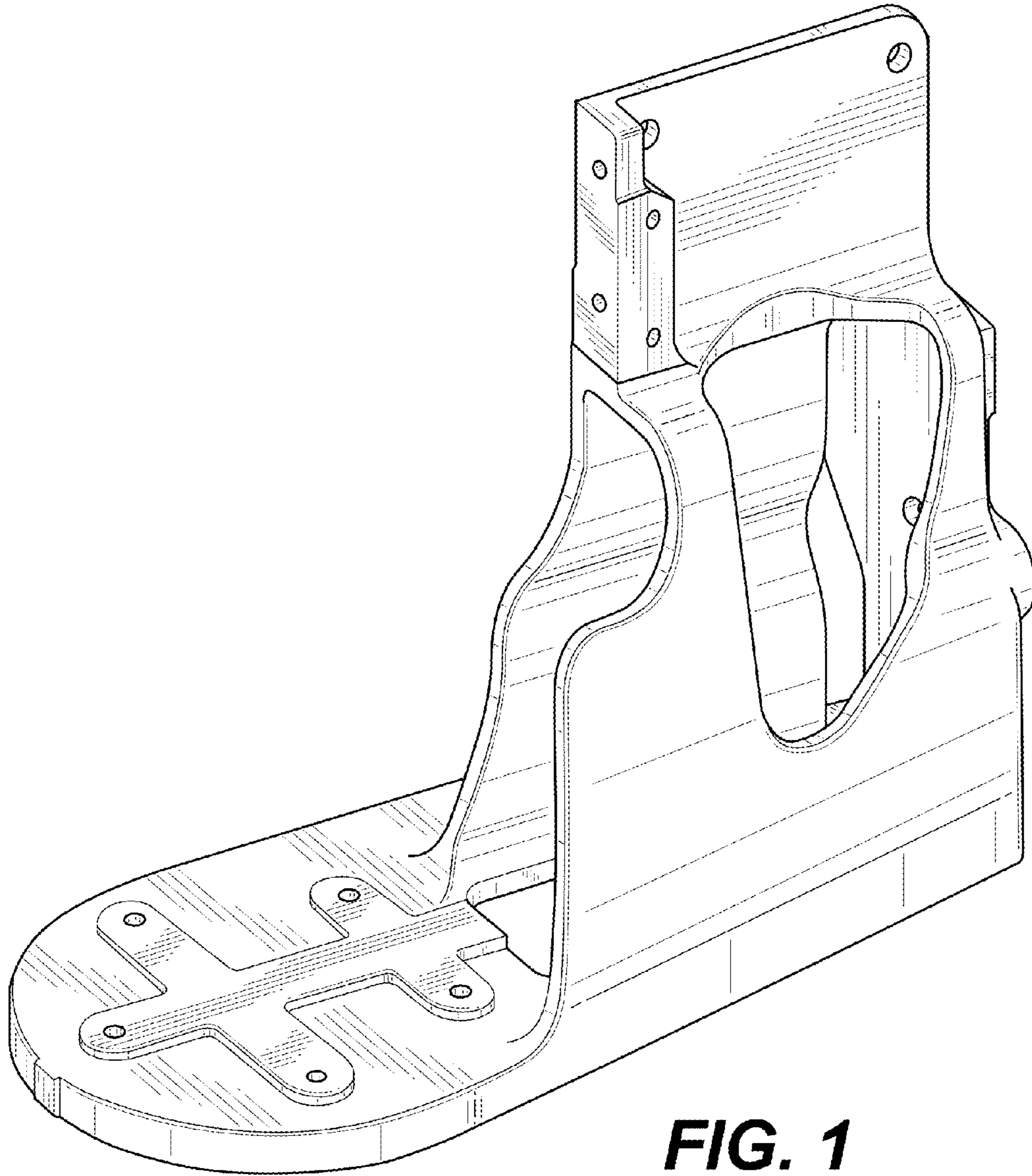


FIG. 1

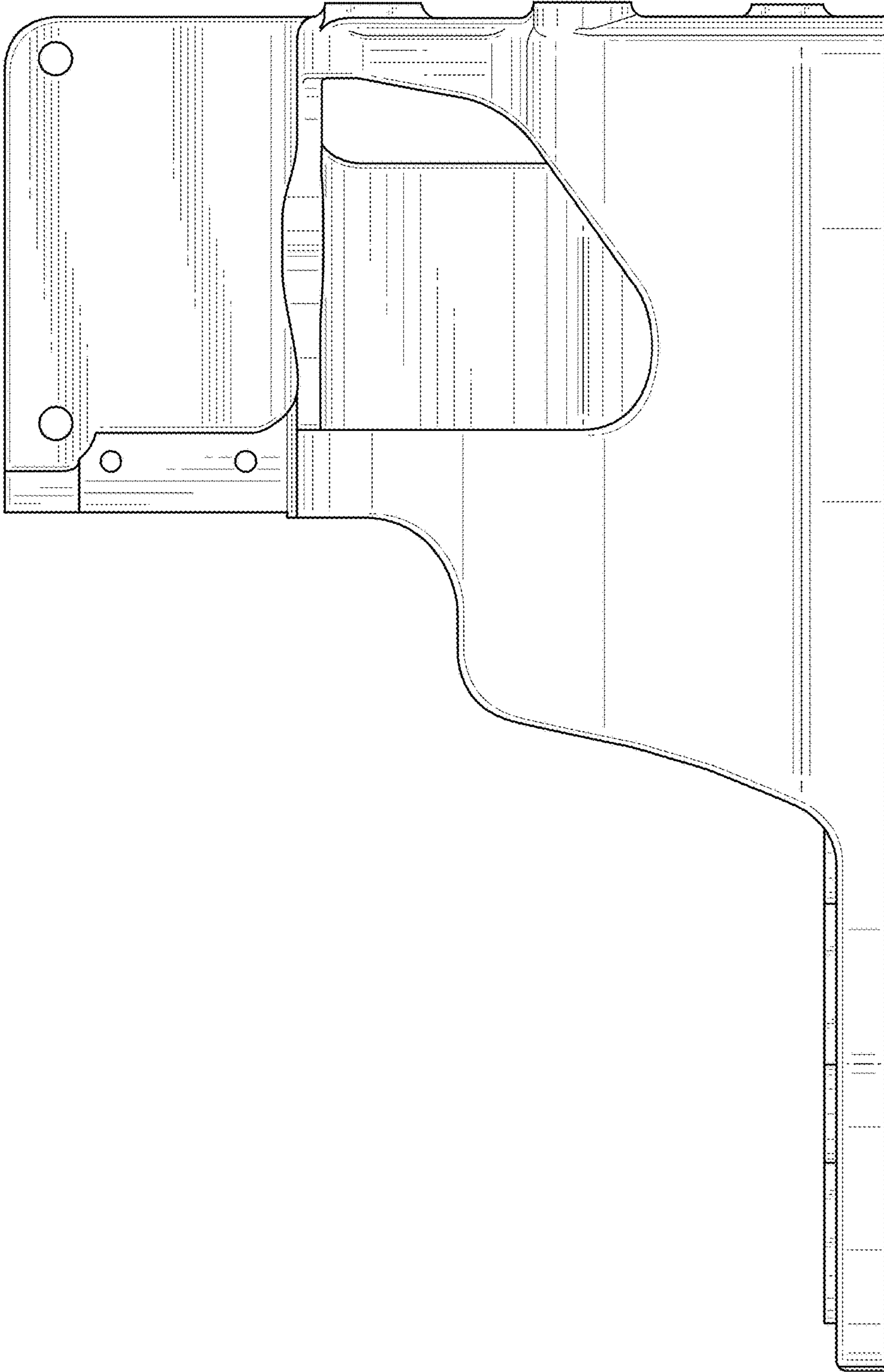


FIG. 2

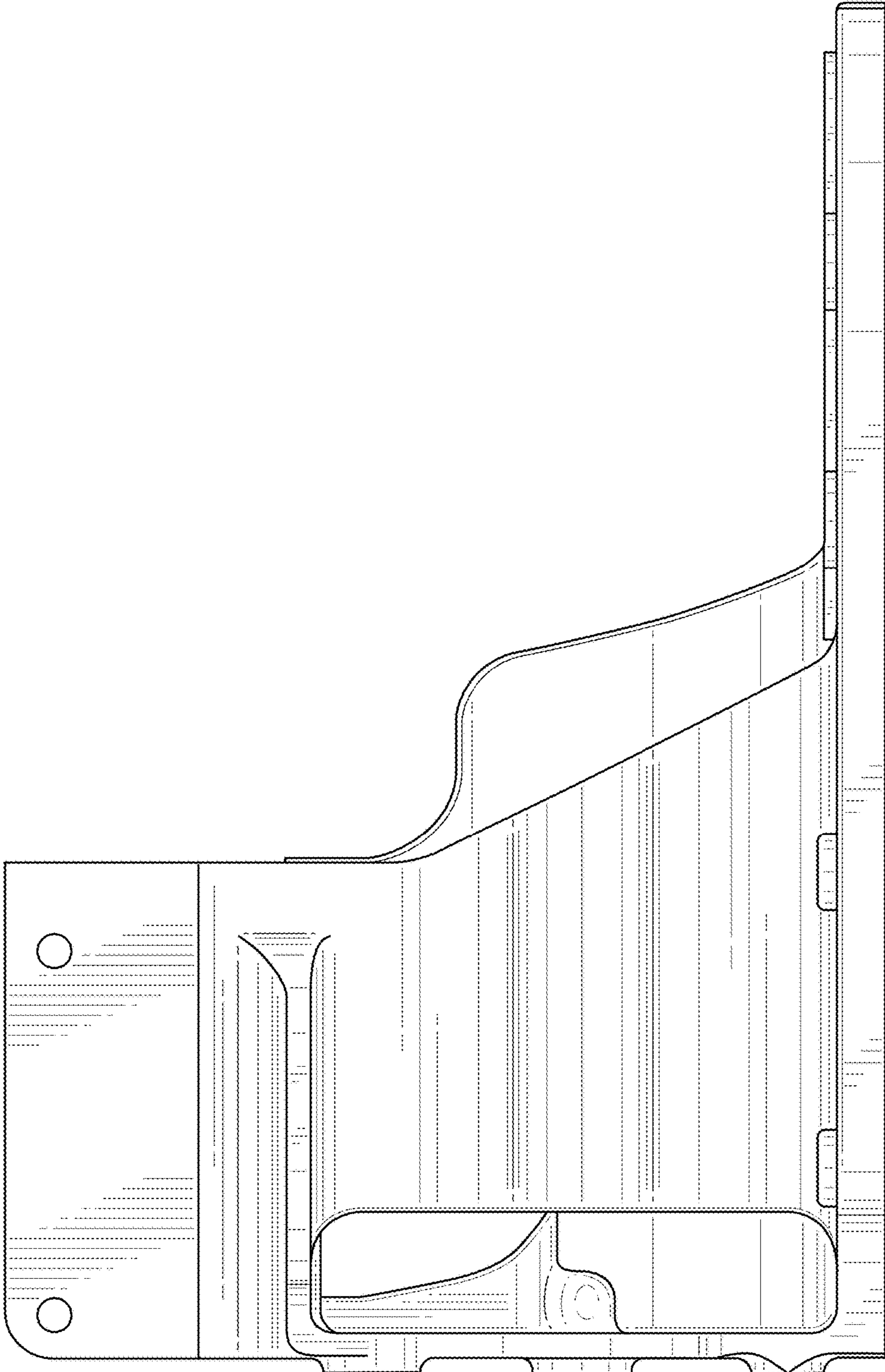


FIG. 3

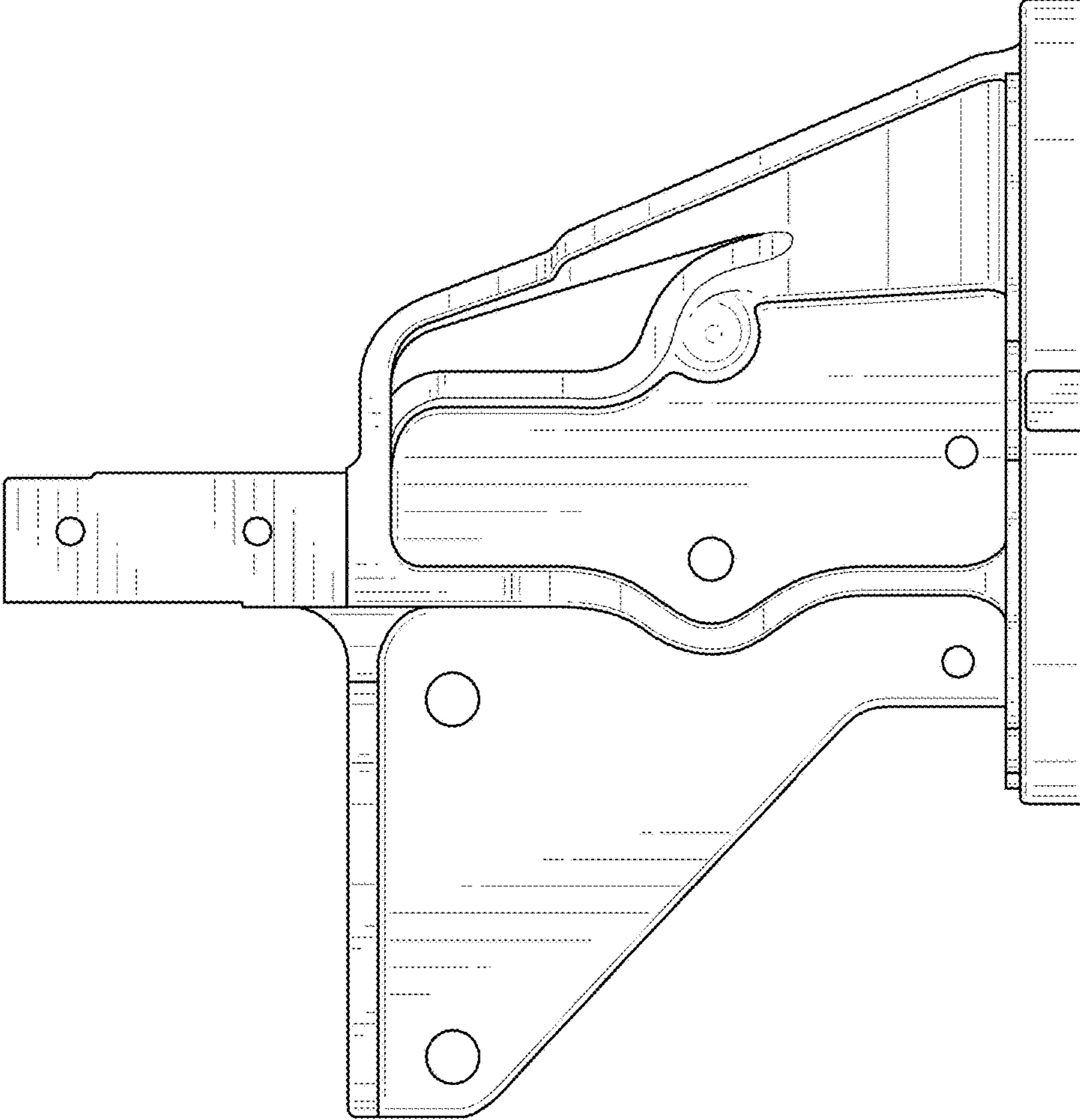


FIG. 4

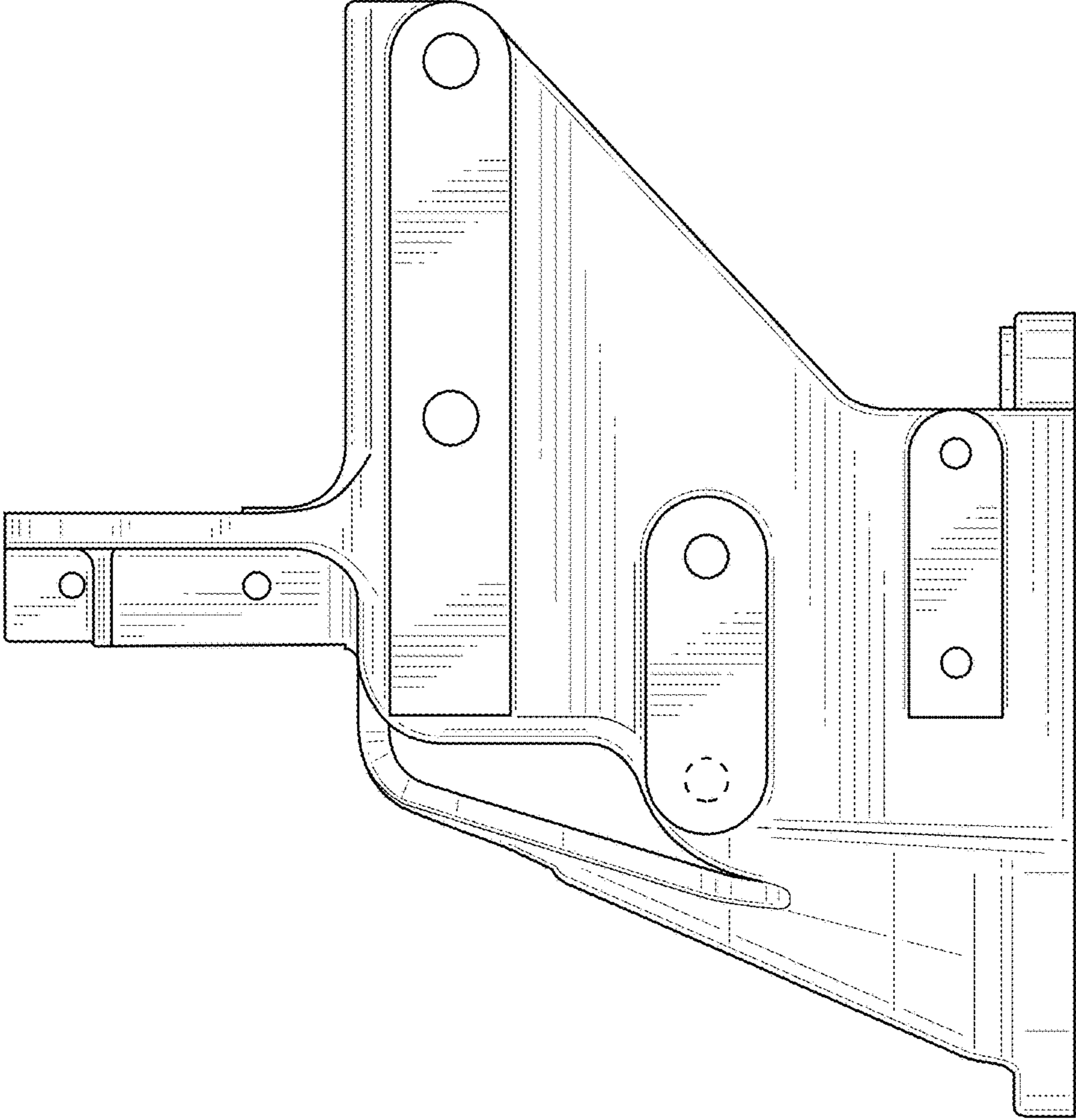


FIG. 5

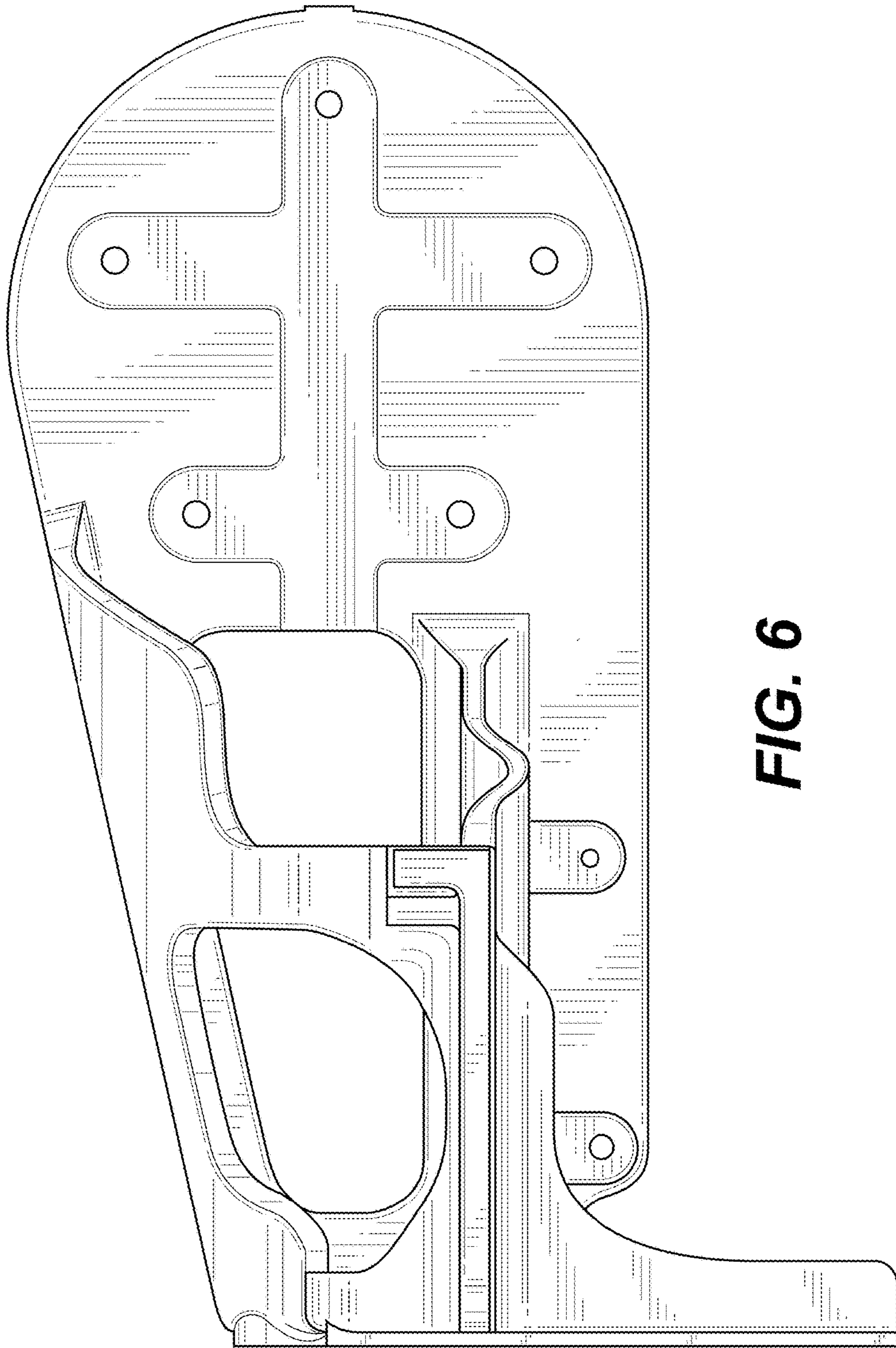


FIG. 6

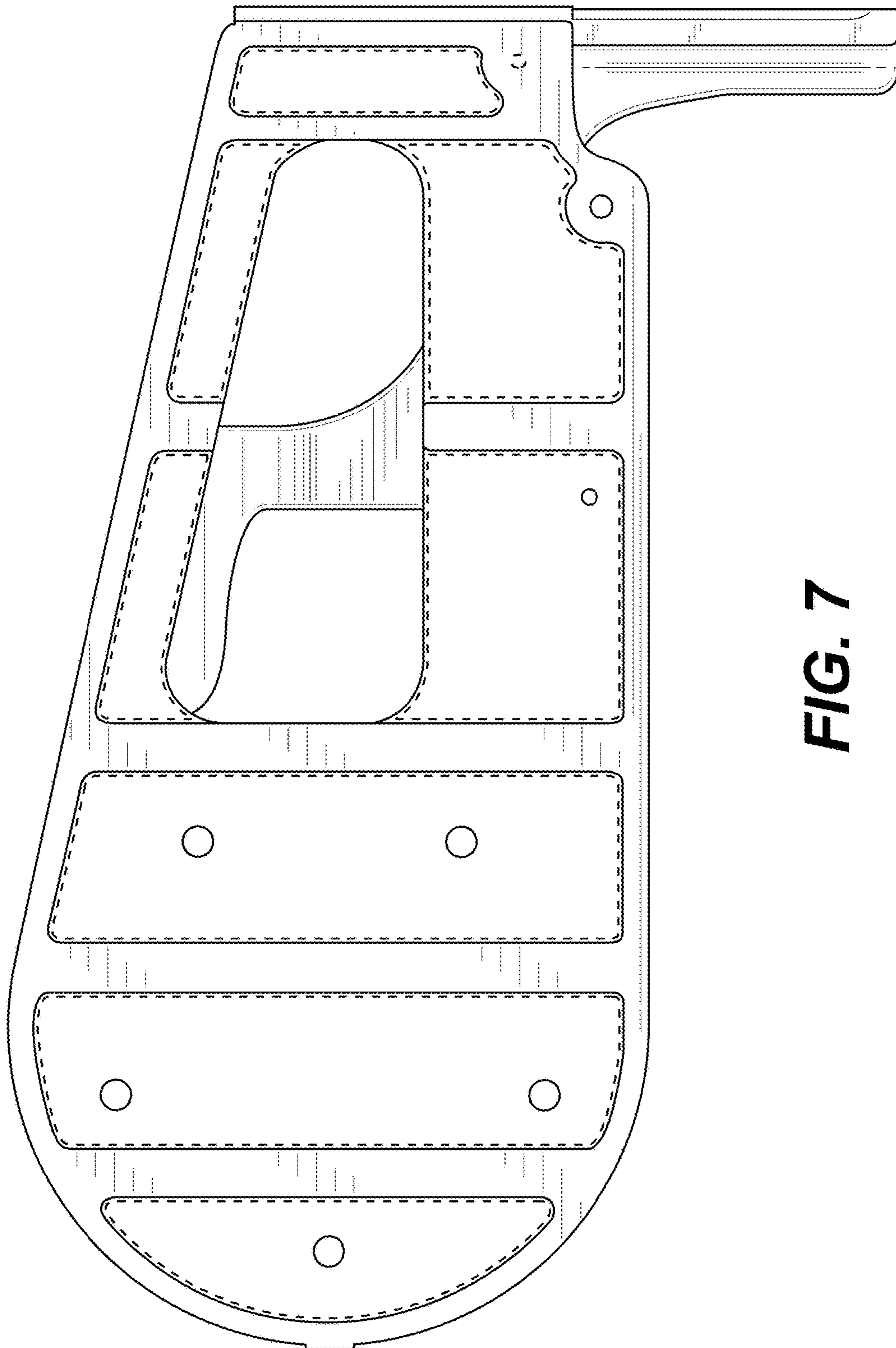


FIG. 7