



US00D808319S

(12) **United States Design Patent** (10) **Patent No.:** **US D808,319 S**
Curic et al. (45) **Date of Patent:** **** Jan. 23, 2018**

(54) **VEHICLE EXHAUST TRIM**

(71) Applicant: **Ford Global Technologies, LLC**,
Dearborn, MI (US)

(72) Inventors: **Kemal Curic**, West Bloomfield, MI
(US); **Shawn Wehrly**, Northville, MI
(US)

(73) Assignee: **Ford Global Technologies, LLC**,
Dearborn, MI (US)

(**) Term: **15 Years**

(21) Appl. No.: **29/505,603**

(22) Filed: **Dec. 23, 2015**

(51) **LOC (11) Cl.** **12-16**

(52) **U.S. Cl.**
USPC **D12/194**

(58) **Field of Classification Search**
USPC D12/190, 194, 42-43, 317, 345, 106,
D12/114, 172
CPC F02B 33/02; F02B 27/00; F02B 27/06;
F01N 1/00; F01N 1/24; F01N 1/04; F01N
3/28; F01N 3/10; F01N 3/035; F01N
3/00; F01N 3/023; F01N 3/025; F01N
3/02; F01N 3/05; F01N 13/00; F01N
13/04; F01N 13/1805; F01N 13/08; F01N
13/082; F01N 7/14; F01N 7/24; F01N
7/08; F01N 7/18; F01N 2340/04; B60K
13/04; B60K 13/00
See application file for complete search history.

6,827,173 B2 * 12/2004 Lai F01N 13/082
180/296
D534,848 S * 1/2007 Murkett D12/194
D539,716 S * 4/2007 Kulla D12/194
D574,302 S * 8/2008 Schubert D12/162
D737,745 S * 9/2015 Kamiura D12/194
2007/0039317 A1 * 2/2007 Momosaki F01N 3/10
60/299

* cited by examiner

Primary Examiner — Barbara Fox
Assistant Examiner — Messina L Smith
(74) *Attorney, Agent, or Firm* — James Dottavio; Burris
Law, PLLC

(57) **CLAIM**

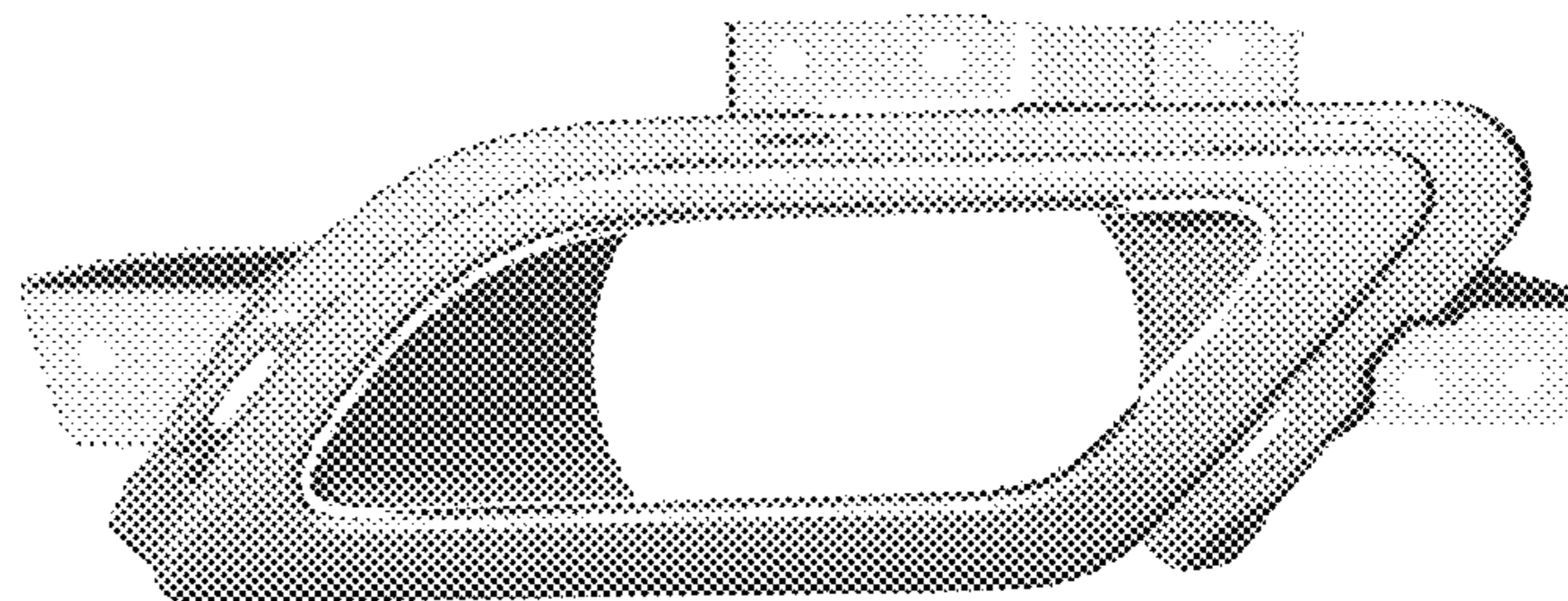
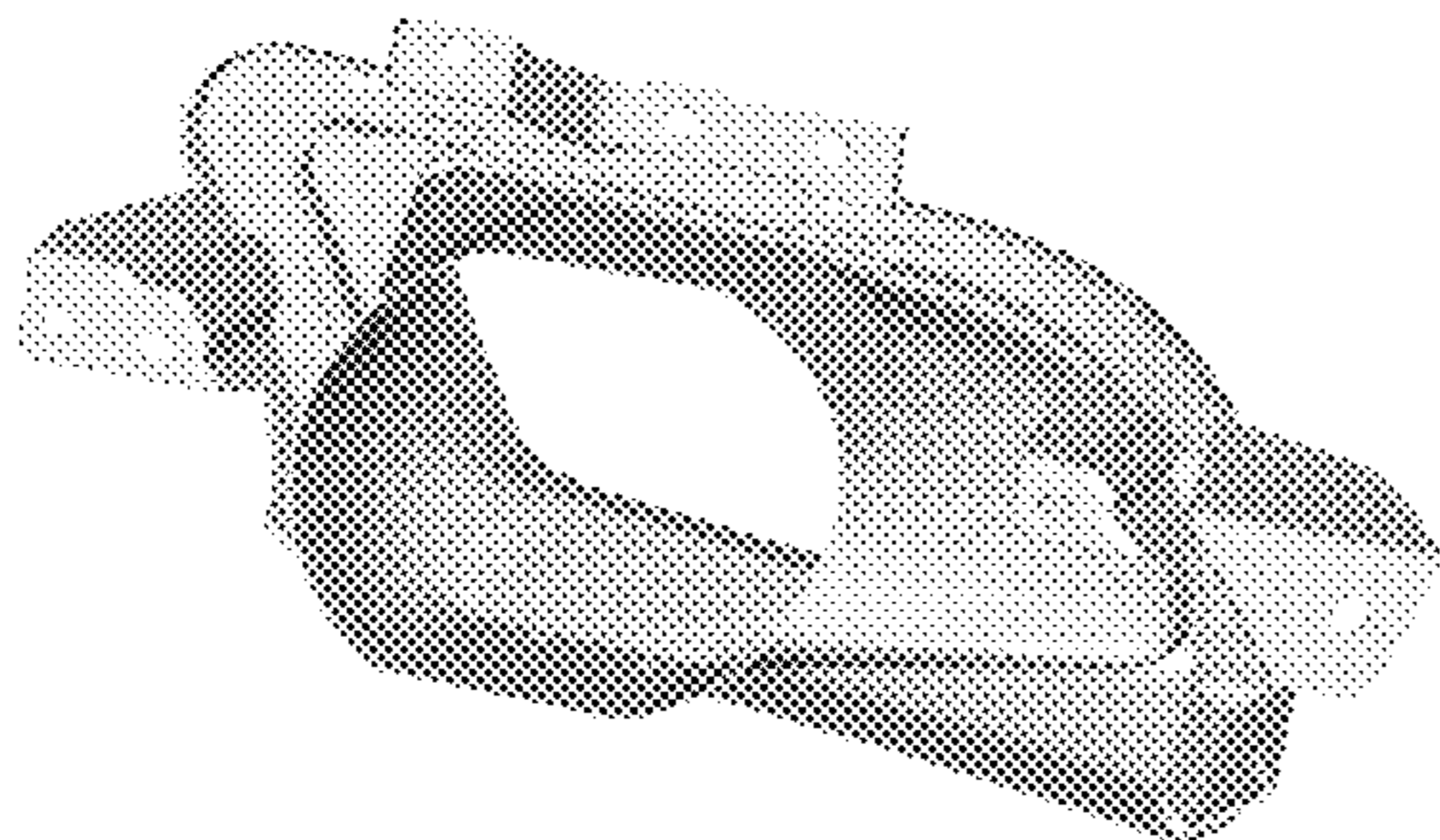
The ornamental design for a vehicle exhaust trim, as shown and described.

DESCRIPTION

FIG. 1 is a top perspective view of a vehicle exhaust trim showing the new design in a first embodiment shown in a left-hand configuration.
FIG. 2 is a bottom perspective view thereof;
FIG. 3 is a top rear perspective view thereof;
FIG. 4 is a front elevational view thereof;
FIG. 5 is a rear elevational view thereof;
FIG. 6 is a right side elevational view thereof;
FIG. 7 is a left side elevational view thereof;
FIG. 8 is a top plan view thereof; and,
FIG. 9 is a bottom plan view thereof.
The claimed design includes a second embodiment of a vehicle exhaust trim, in a right-hand configuration, not illustrated because it is a mirror image of the embodiment shown.

1 Claim, 9 Drawing Sheets

(56) **References Cited**
U.S. PATENT DOCUMENTS
D473,177 S * 4/2003 Murkett D12/194
D488,755 S * 4/2004 Kulla D12/194



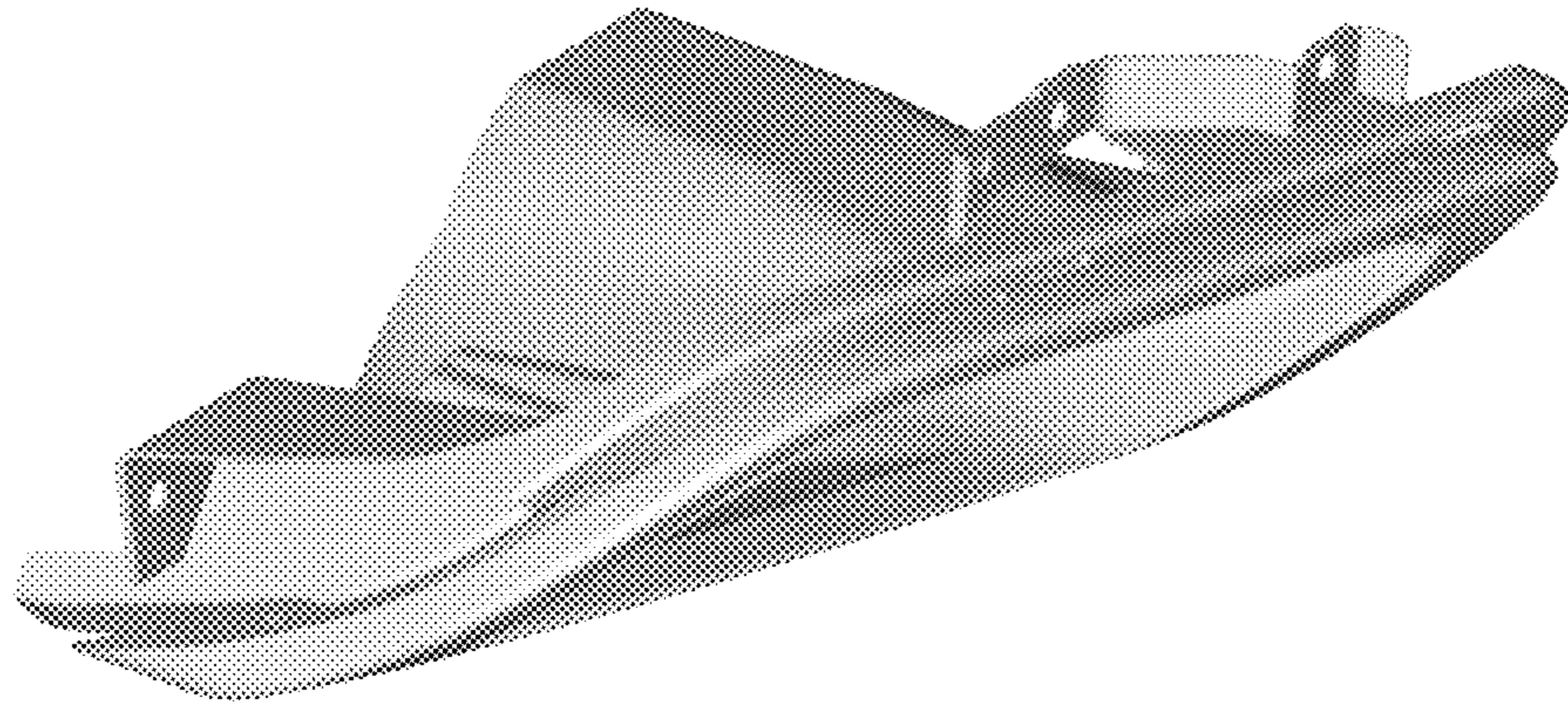


Figure 1

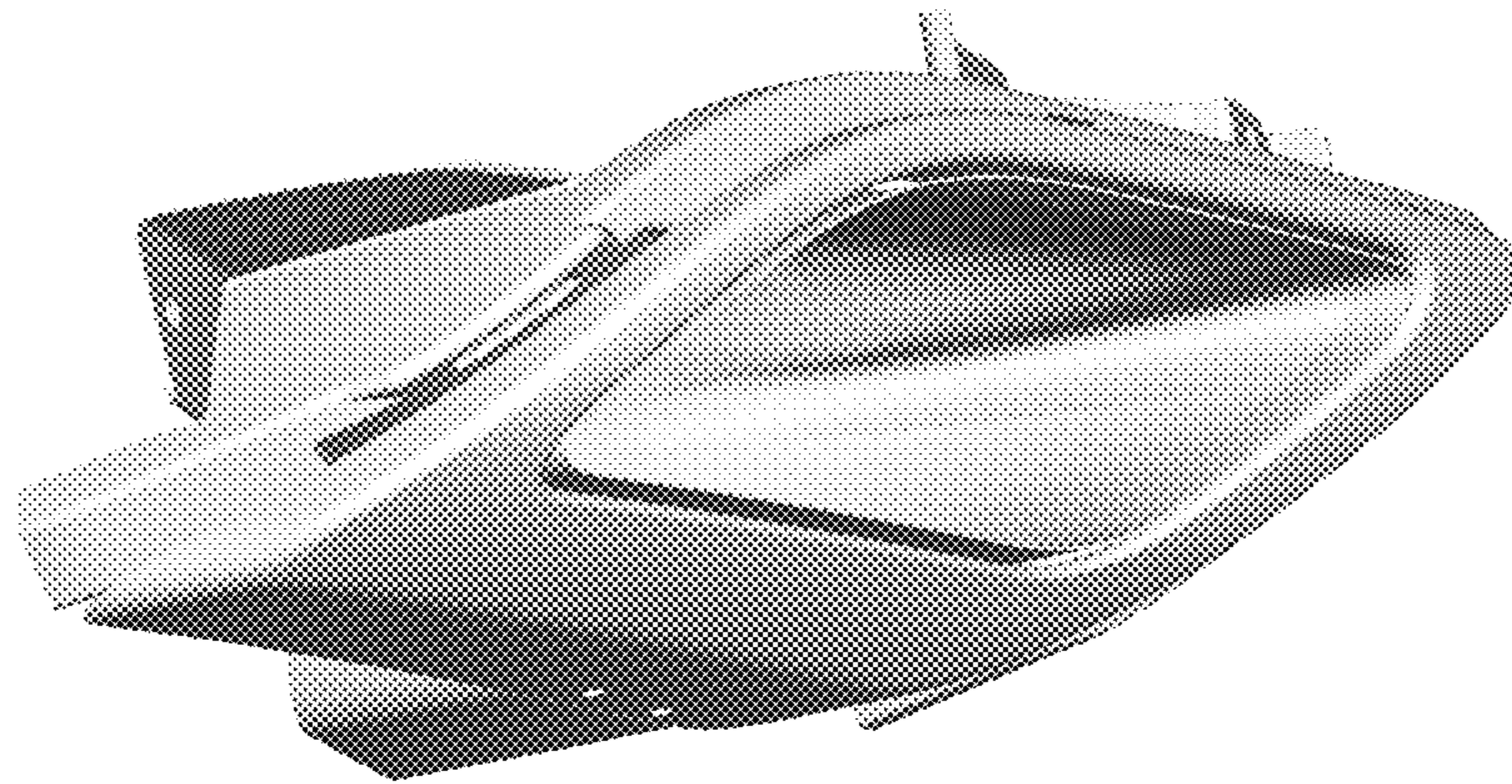


Figure 2

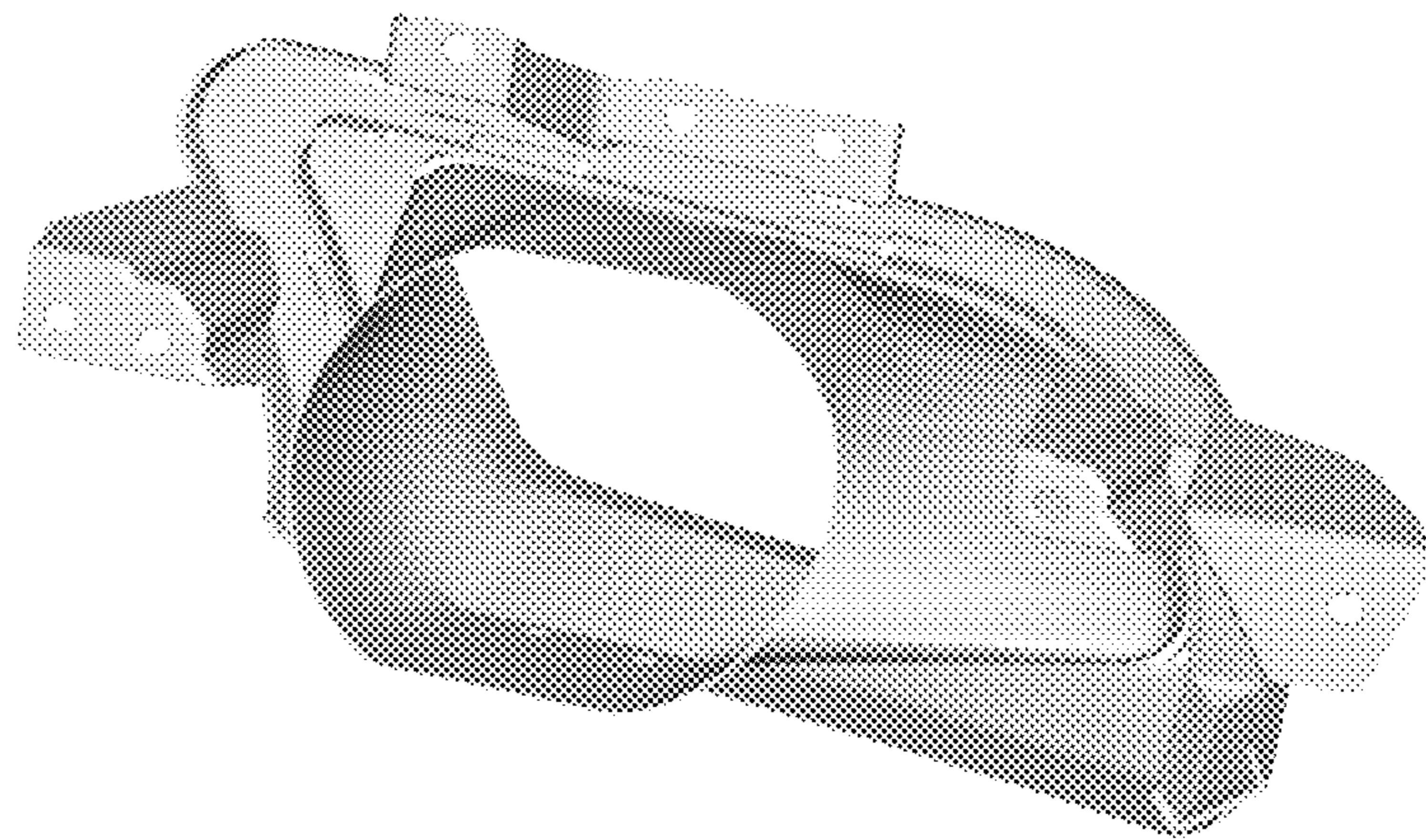


Figure 3

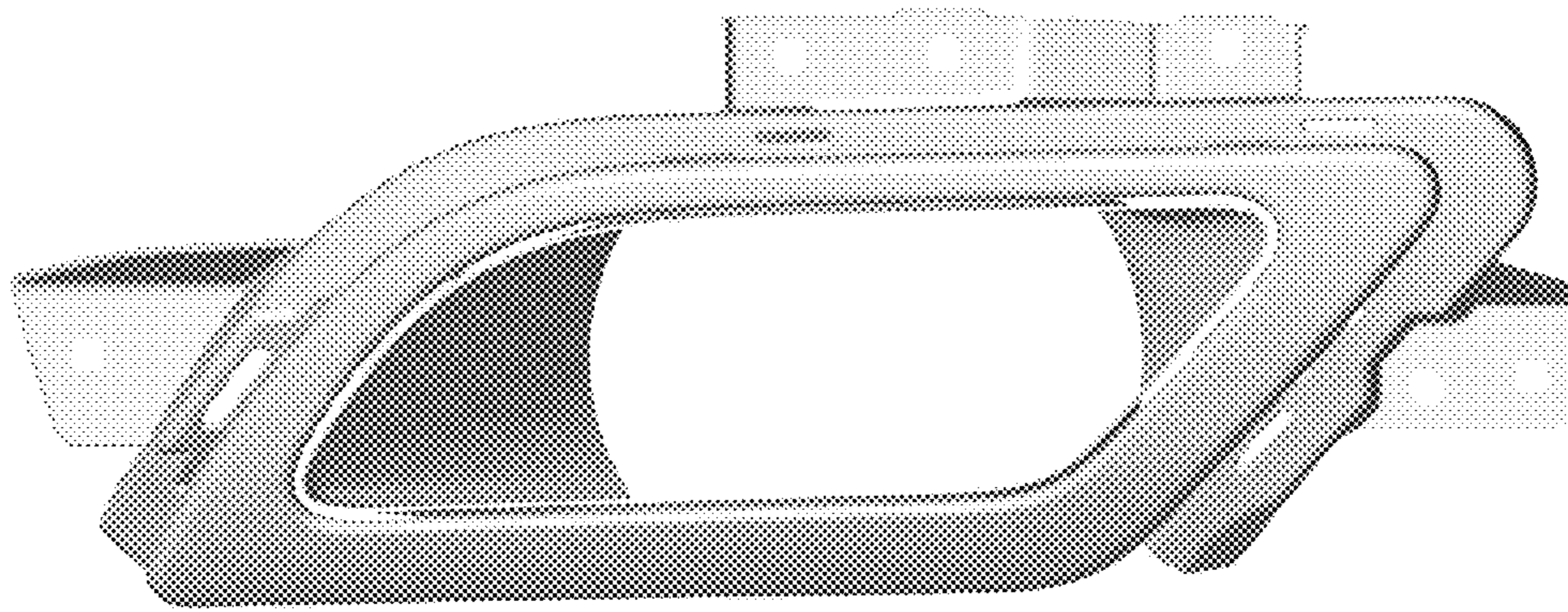


Figure 4

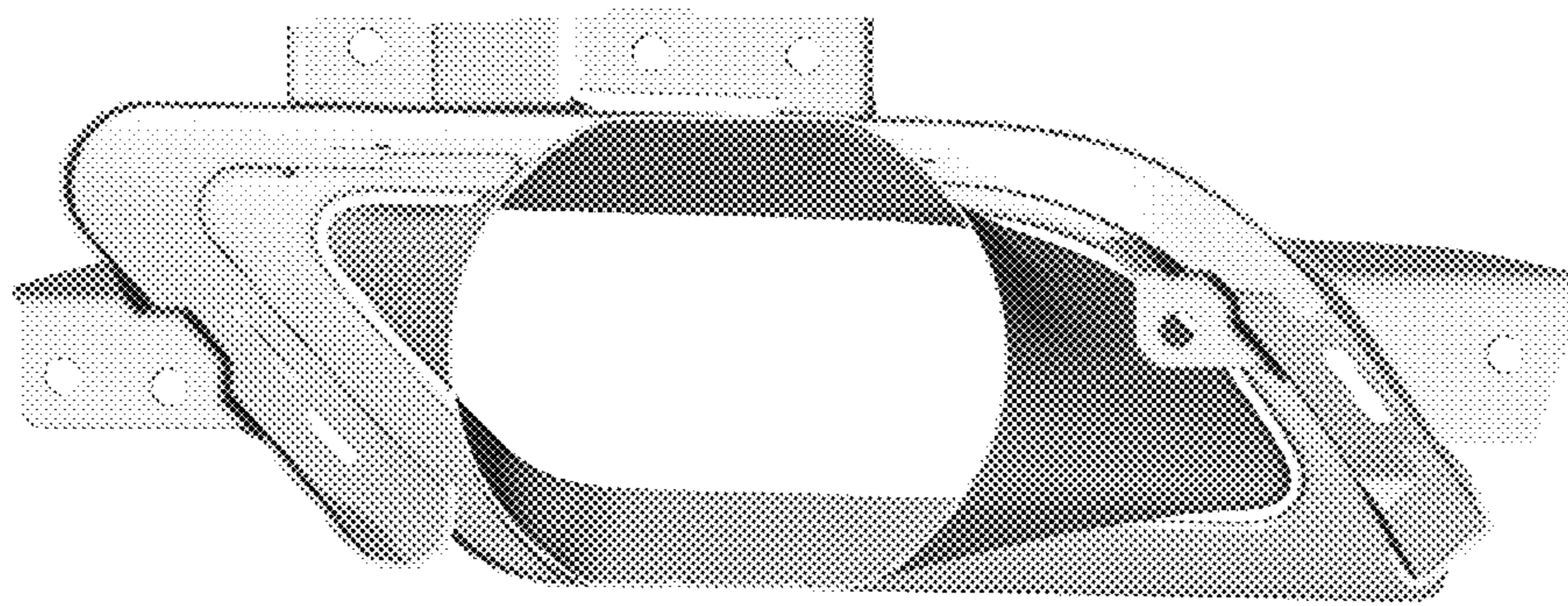


Figure 5

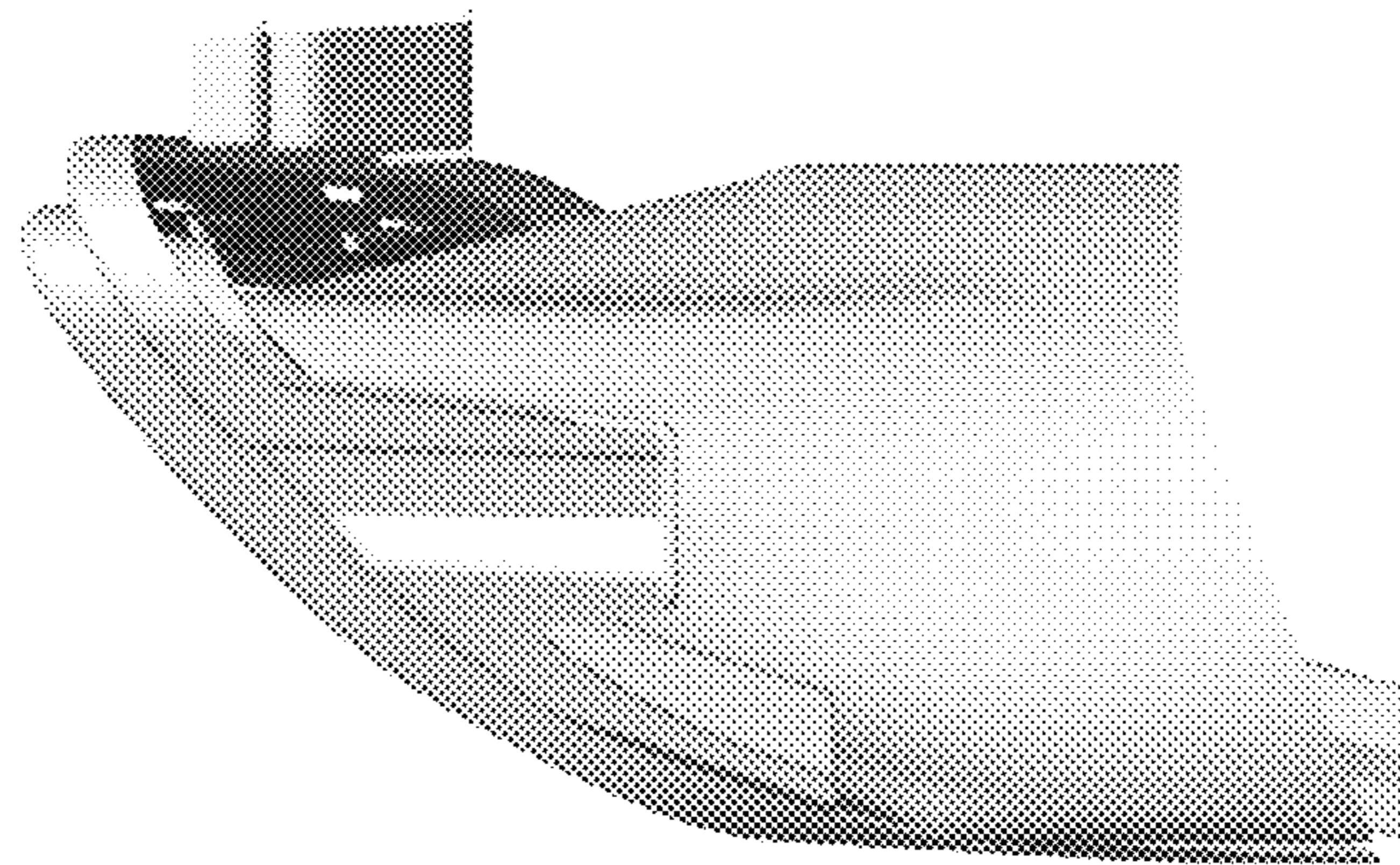


Figure 6

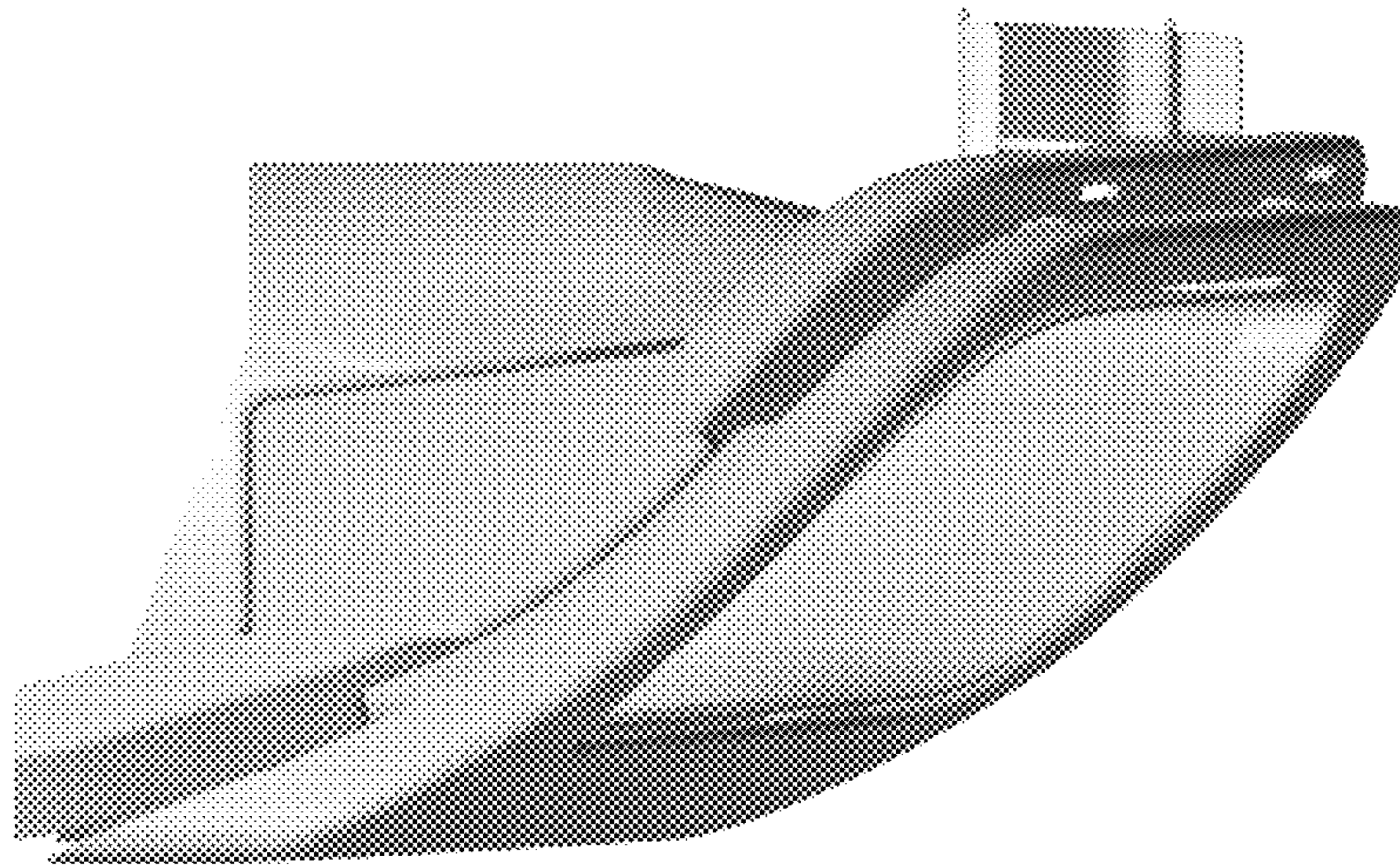


Figure 7

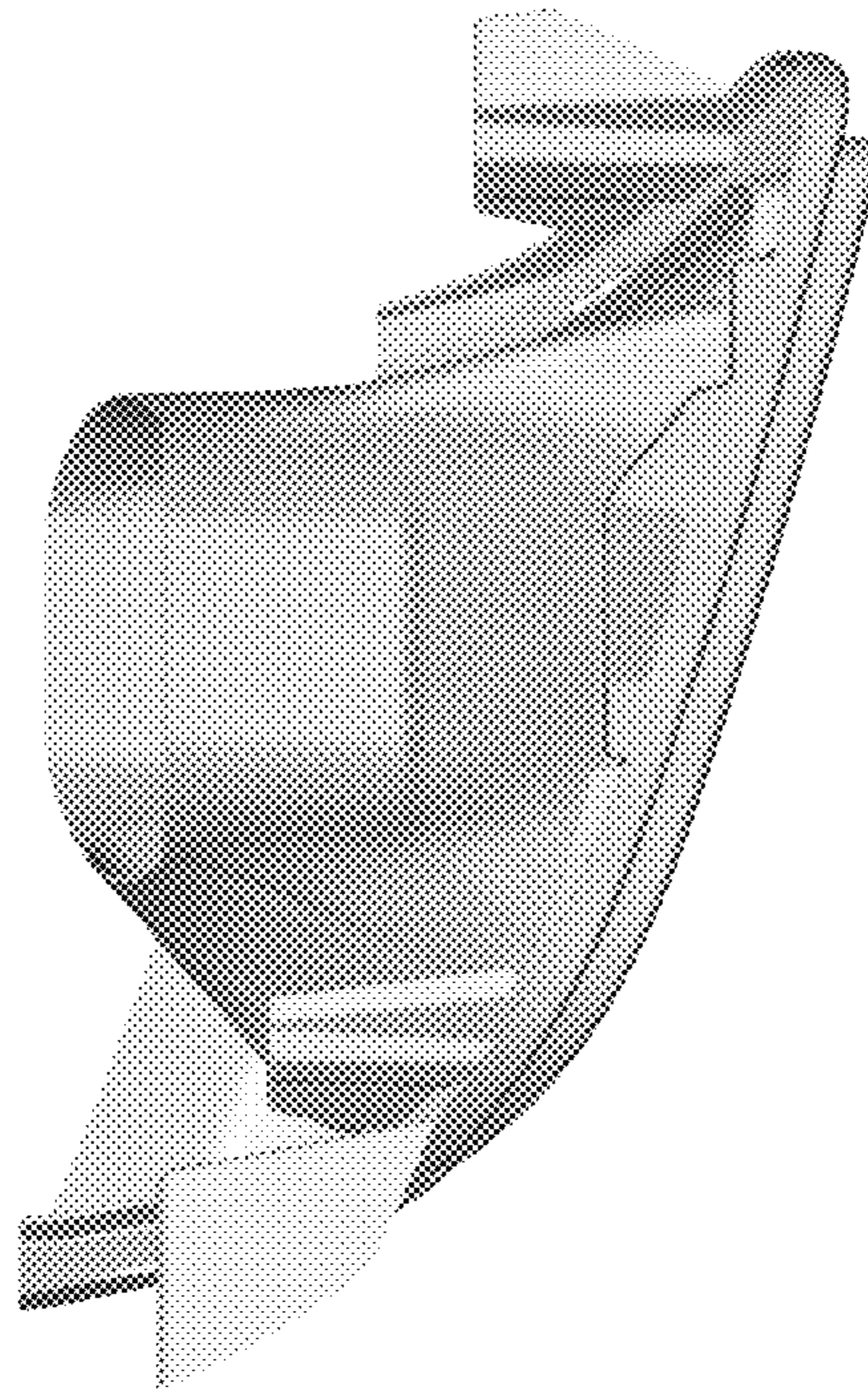


Figure 8

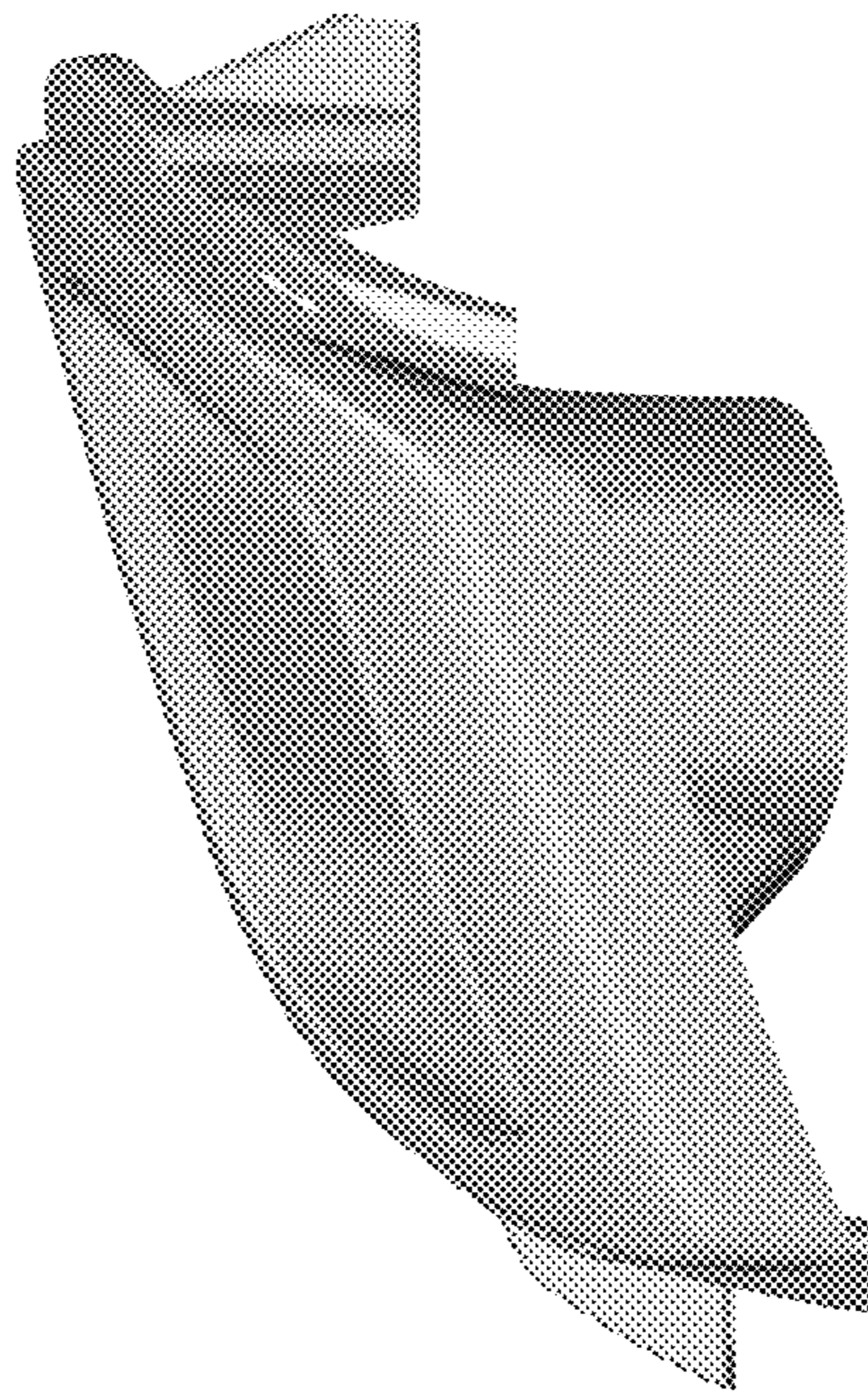


Figure 9