



US00D808311S

(12) **United States Design Patent** (10) **Patent No.:** **US D808,311 S**
Piscitelli et al. (45) **Date of Patent:** **** Jan. 23, 2018**

(54) **VEHICLE HOOD**

(56) **References Cited**

(71) Applicants: **Chris Piscitelli**, West Bloomfield, MI (US); **Vincent J. Galante**, Lake Orion, MI (US); **Brian H. Nielander**, Royal Oak, MI (US)

U.S. PATENT DOCUMENTS

D721,307 S *	1/2015	Platto	D12/173
D756,864 S *	5/2016	Ino	D12/173
D773,358 S *	12/2016	Rodriguez	D12/173
D787,387 S *	5/2017	Curic	D12/173
D787,389 S *	5/2017	Wolff	D12/173

(72) Inventors: **Chris Piscitelli**, West Bloomfield, MI (US); **Vincent J. Galante**, Lake Orion, MI (US); **Brian H. Nielander**, Royal Oak, MI (US)

* cited by examiner

Primary Examiner — Melody N Brown

(73) Assignee: **FCA US LLC**, Auburn Hills, MI (US)

(74) *Attorney, Agent, or Firm* — Ralph E. Smith

(**) Term: **15 Years**

(57) **CLAIM**

(21) Appl. No.: **29/594,728**

The ornamental design for a vehicle hood, as shown and described.

(22) Filed: **Feb. 22, 2017**

DESCRIPTION

Related U.S. Application Data

(63) Continuation-in-part of application No. 29/568,731, filed on Jun. 21, 2016.

FIG. 1 is a front perspective view of a vehicle hood showing our new design;

(51) **LOC (11) Cl.** **12-16**

FIG. 2 is a top plan view thereof;

(52) **U.S. Cl.**

FIG. 3 is a bottom view thereof;

USPC **D12/173**

FIG. 4 is a front view thereof;

(58) **Field of Classification Search**

USPC D12/173, 196, 86, 90-92, 181;

FIG. 5 is a rear view thereof;

180/69.21, 69.2, 69.22; 296/190.1-190.5,

FIG. 6 is a right side view thereof; and,

296/190.8, 193.11, 37.6

FIG. 7 is a left side view.

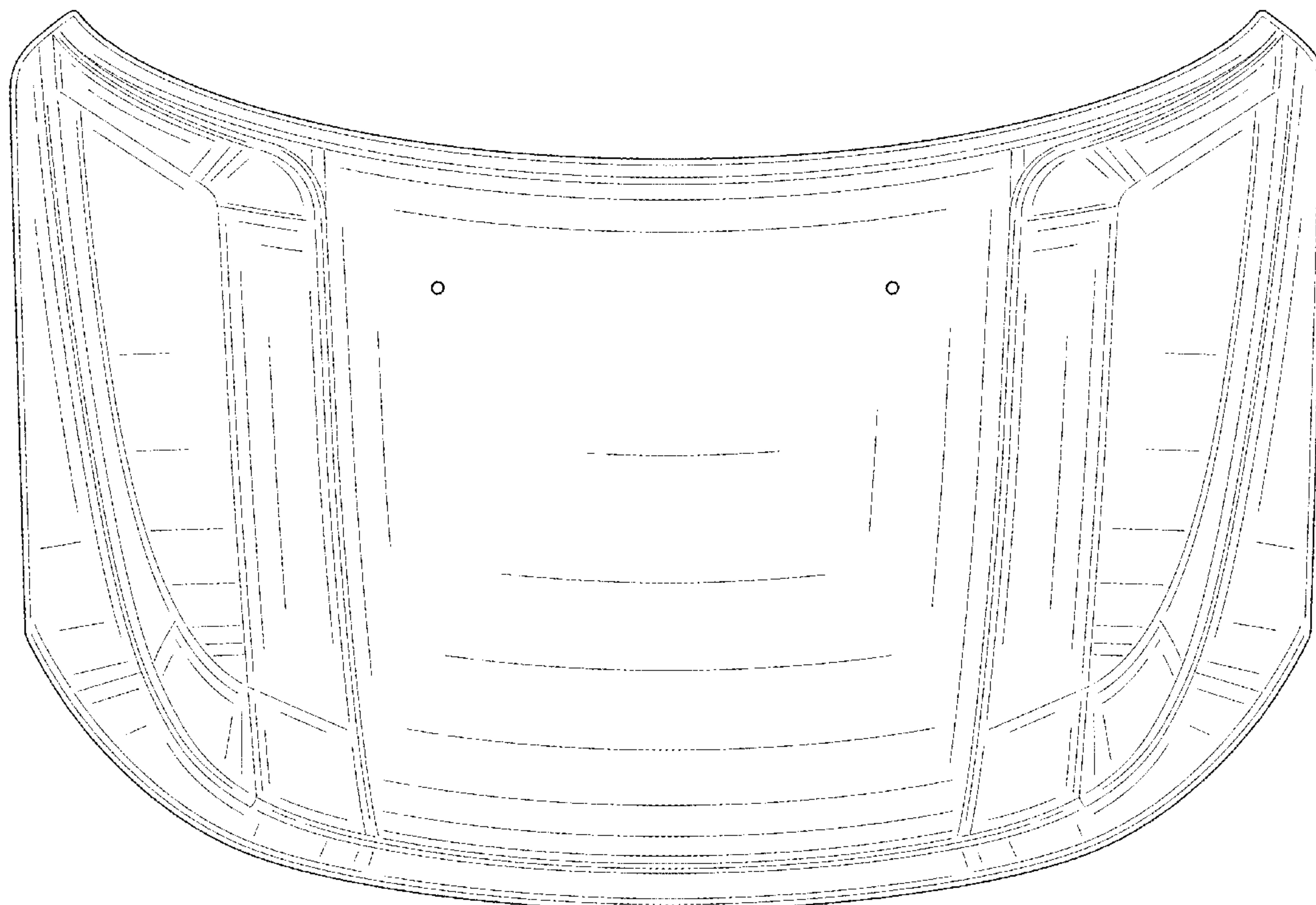
CPC B62D 25/10; B62D 25/06; B62D 65/02;

It will be understood that the broken lines shown in the drawings illustrate portions of the vehicle hood that form no part of claimed design.

B62D 25/12; B60Q 1/00

See application file for complete search history.

1 Claim, 5 Drawing Sheets



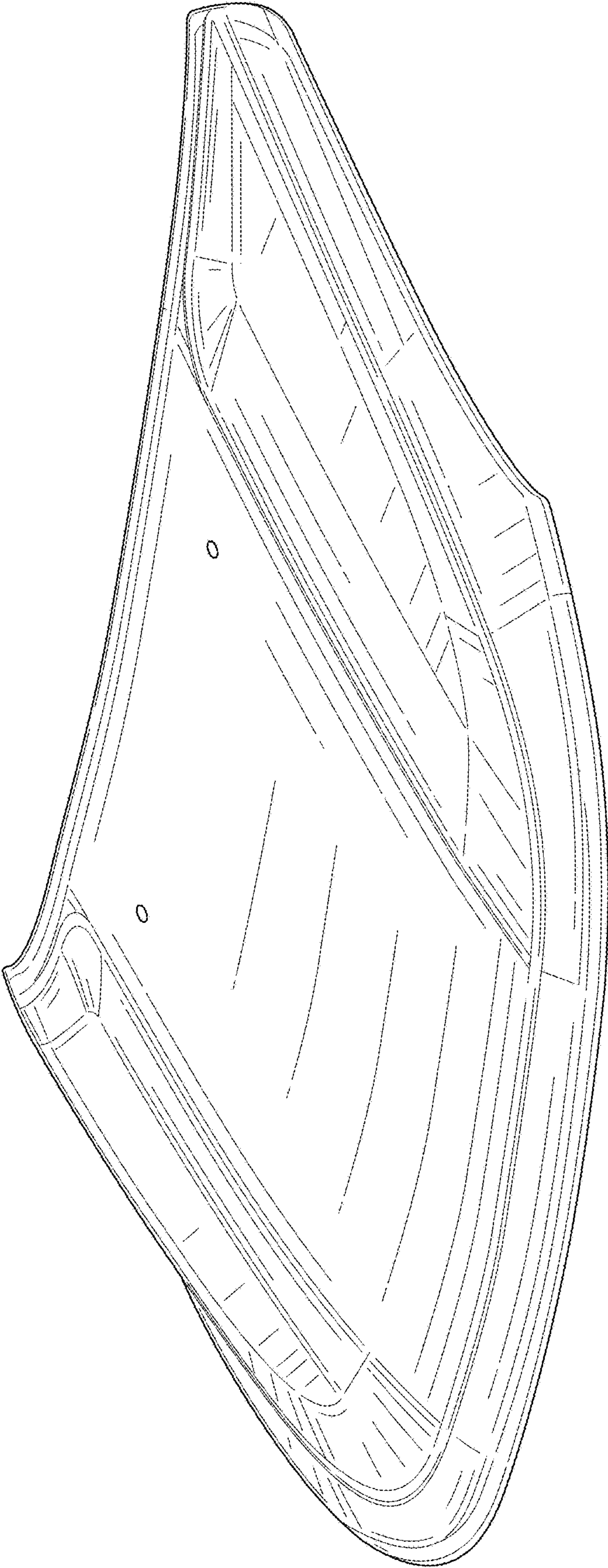


FIG. 1

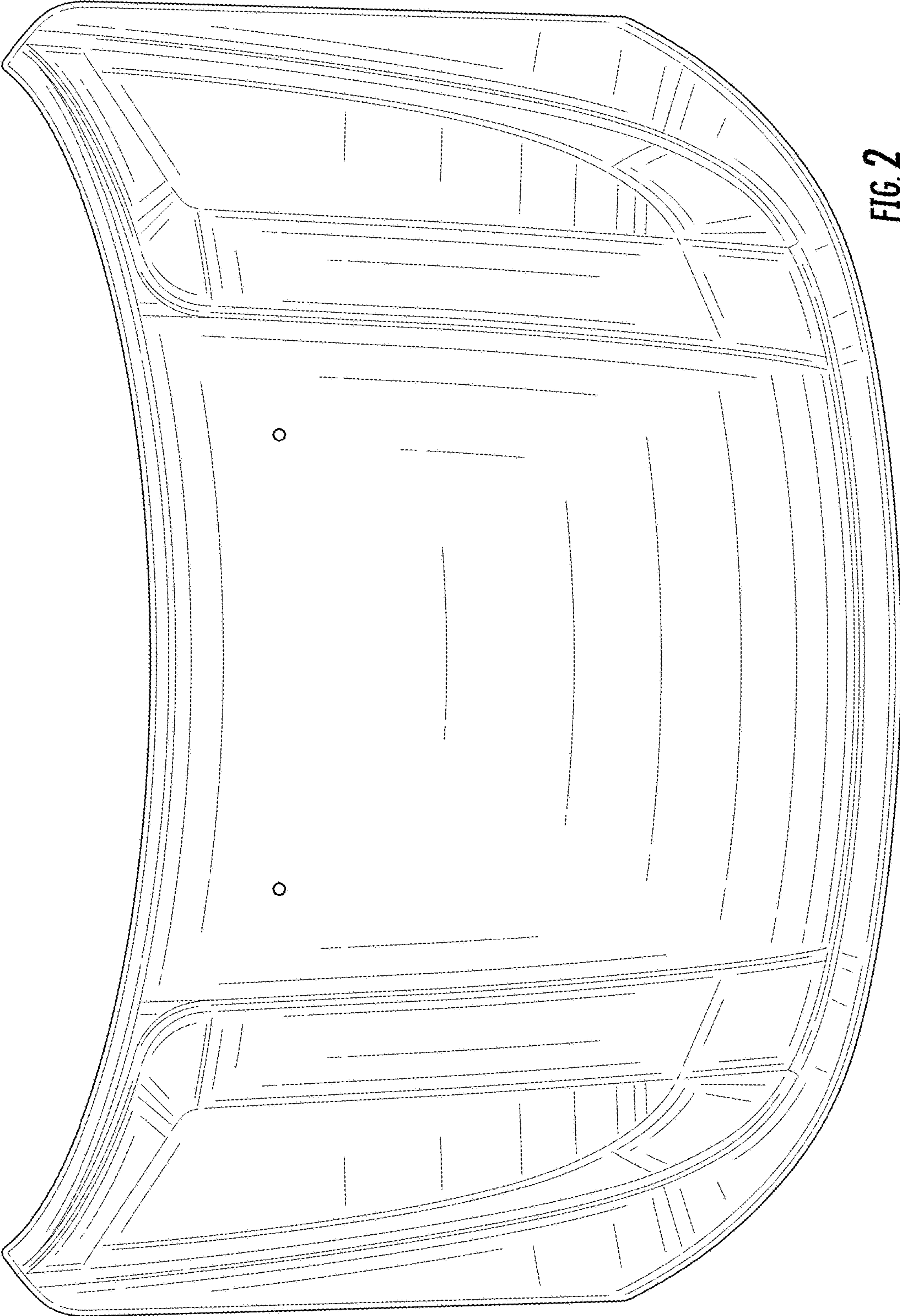


FIG. 2

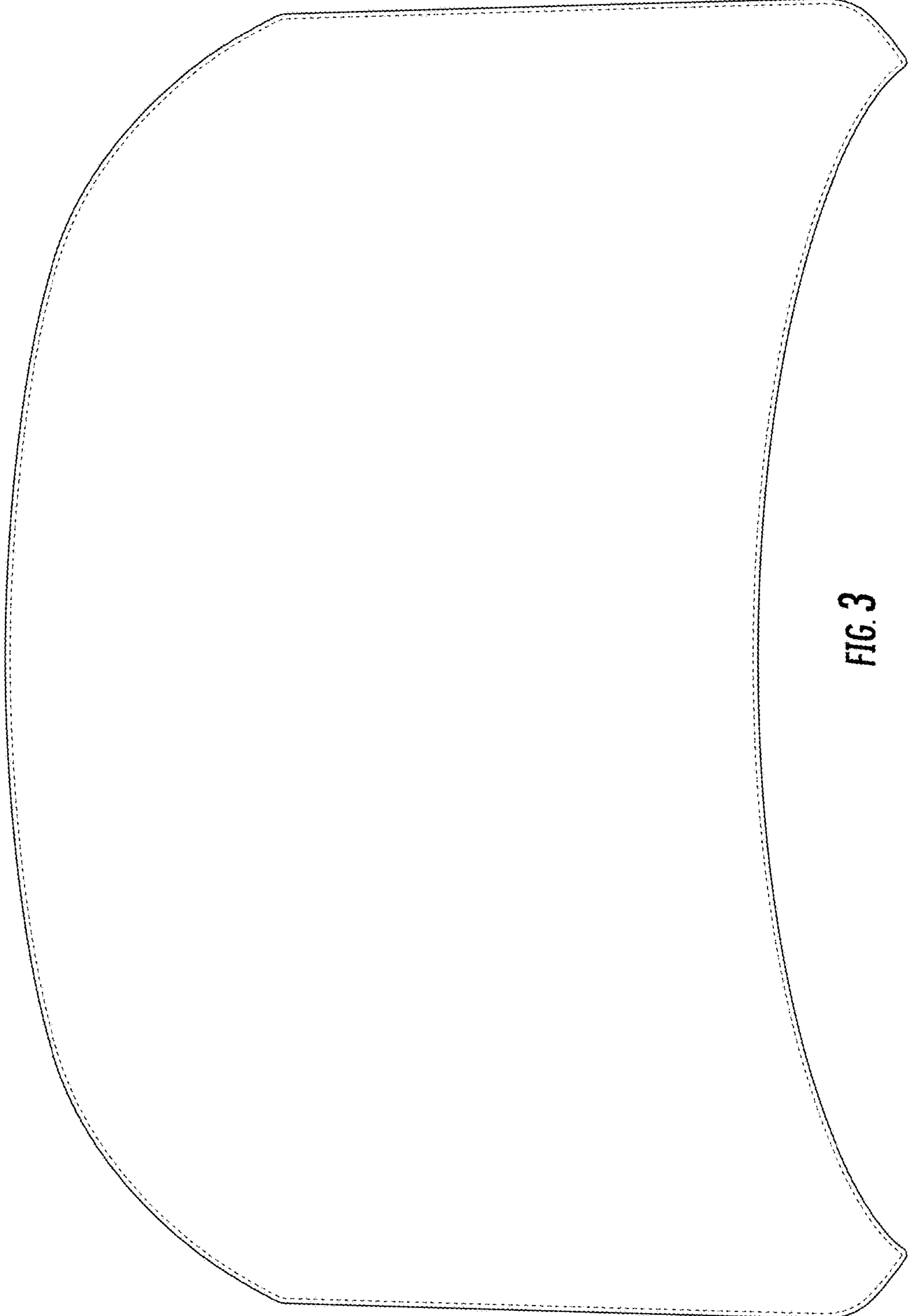


FIG. 3

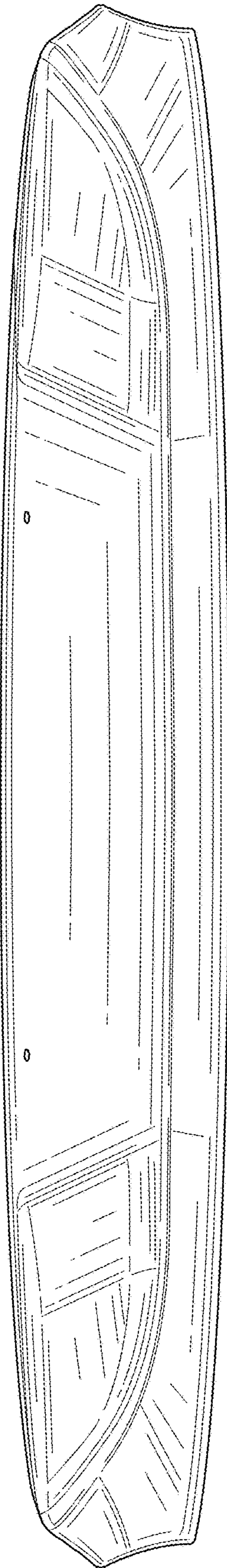


FIG. 4

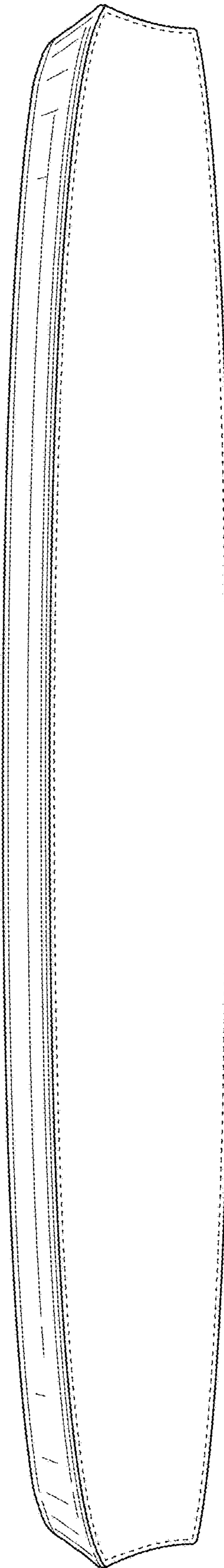


FIG. 5

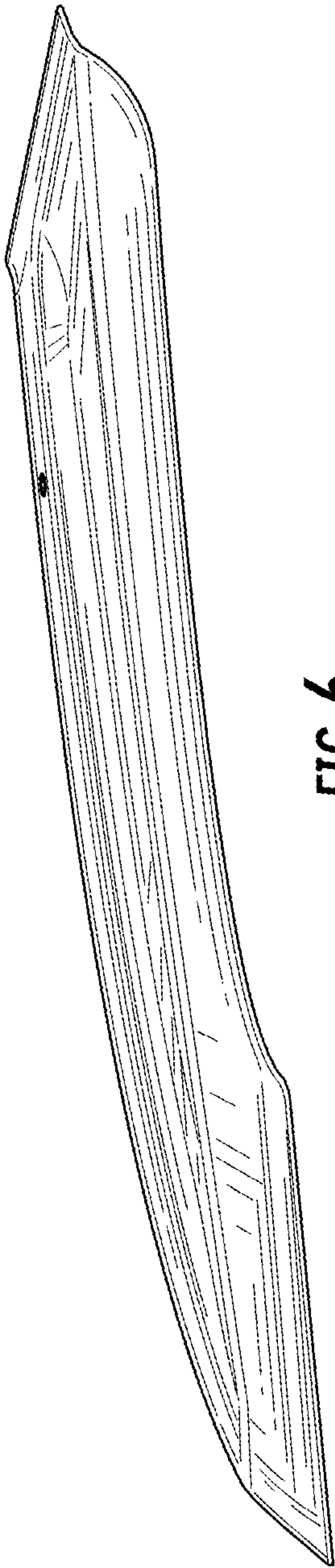


FIG. 6

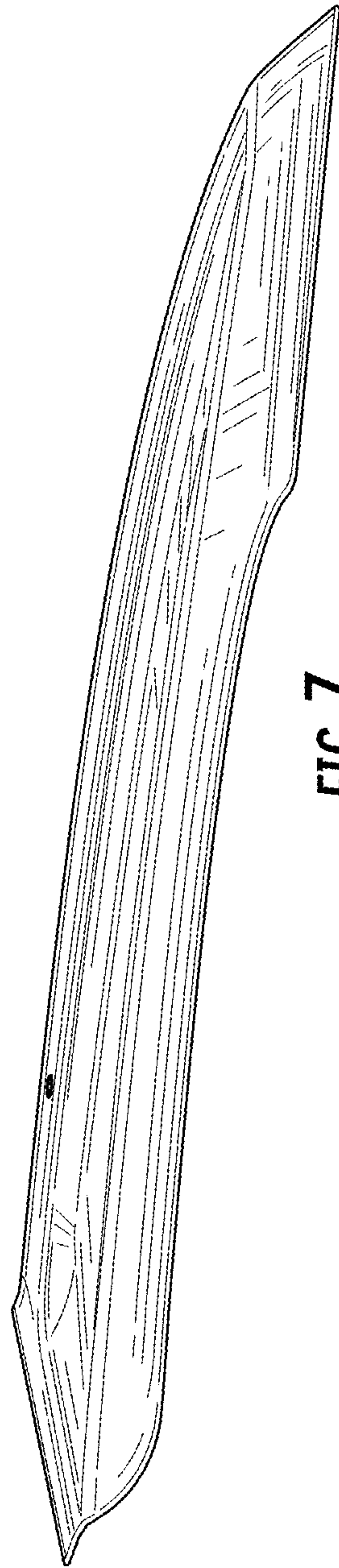


FIG. 7