



US00D808310S

(12) **United States Design Patent** (10) **Patent No.:** **US D808,310 S**
Zavatski et al. (45) **Date of Patent:** **** Jan. 23, 2018**

(54) **VEHICLE HOOD**

(71) Applicants: **Irina Zavatski**, Rochester Hills, MI (US); **Mark D Hall**, Rochester, MI (US)
(72) Inventors: **Irina Zavatski**, Rochester Hills, MI (US); **Mark D Hall**, Rochester, MI (US)
(73) Assignee: **FCA US LLC**, Auburn Hills, MI (US)
(**) Term: **15 Years**

(21) Appl. No.: **29/565,277**
(22) Filed: **May 19, 2016**

Related U.S. Application Data

(63) Continuation-in-part of application No. 29/549,067, filed on Dec. 18, 2015.
(51) **LOC (11) Cl.** **12-16**
(52) **U.S. Cl.**
USPC **D12/173**
(58) **Field of Classification Search**
USPC D12/173, 196, 86, 90-92, 181;
180/69.21, 69.2, 69.22; 296/190.1-190.5,
296/190.8, 193.11, 37.6
CPC B62D 25/10; B62D 25/06; B62D 65/02;
B62D 25/12; B60Q 1/00
See application file for complete search history.

(56) **References Cited**

U.S. PATENT DOCUMENTS

| | | | |
|--------------|---------|------------------|---------|
| D683,286 S * | 5/2013 | Fuchigami | D12/173 |
| D683,287 S * | 5/2013 | Yoshida | D12/173 |
| D685,700 S * | 7/2013 | Tase | D12/173 |
| D688,995 S * | 9/2013 | Hildebrand | D12/173 |
| D695,645 S * | 12/2013 | Tase | D12/91 |
| D709,005 S * | 7/2014 | Koizumi | D12/173 |
| D722,928 S * | 2/2015 | George | D12/173 |
| D746,740 S * | 1/2016 | Wolff | D12/173 |
| D756,864 S * | 5/2016 | Ino | D12/173 |
| D770,338 S * | 11/2016 | Arroba | D12/173 |
| D779,398 S * | 2/2017 | Platto | D12/173 |
| D790,400 S * | 6/2017 | Zavatski | D12/91 |

* cited by examiner

Primary Examiner — Melody N Brown
(74) *Attorney, Agent, or Firm* — Ralph E. Smith

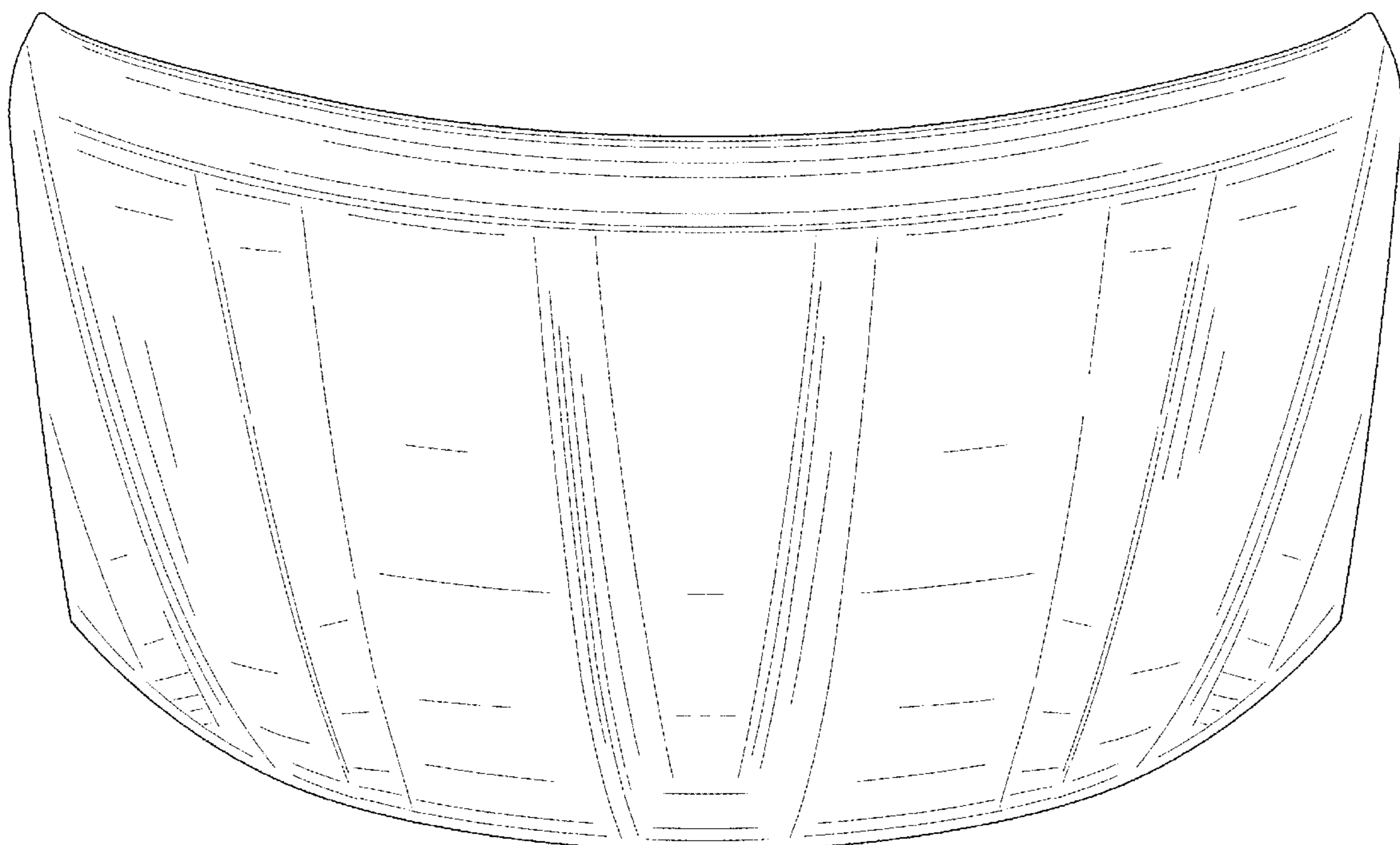
(57) **CLAIM**

The ornamental design for a vehicle hood, as shown and described.

DESCRIPTION

FIG. 1 is a perspective view of a vehicle hood showing our new design;
FIG. 2 is a front view thereof;
FIG. 3 is a rear view thereof;
FIG. 4 is a side view thereof;
FIG. 5 is a top plan view thereof; and,
FIG. 6 is a bottom view.
It will be understood that the broken lines shown in the drawings illustrate portions of the vehicle hood that form no part of claimed design.

1 Claim, 6 Drawing Sheets



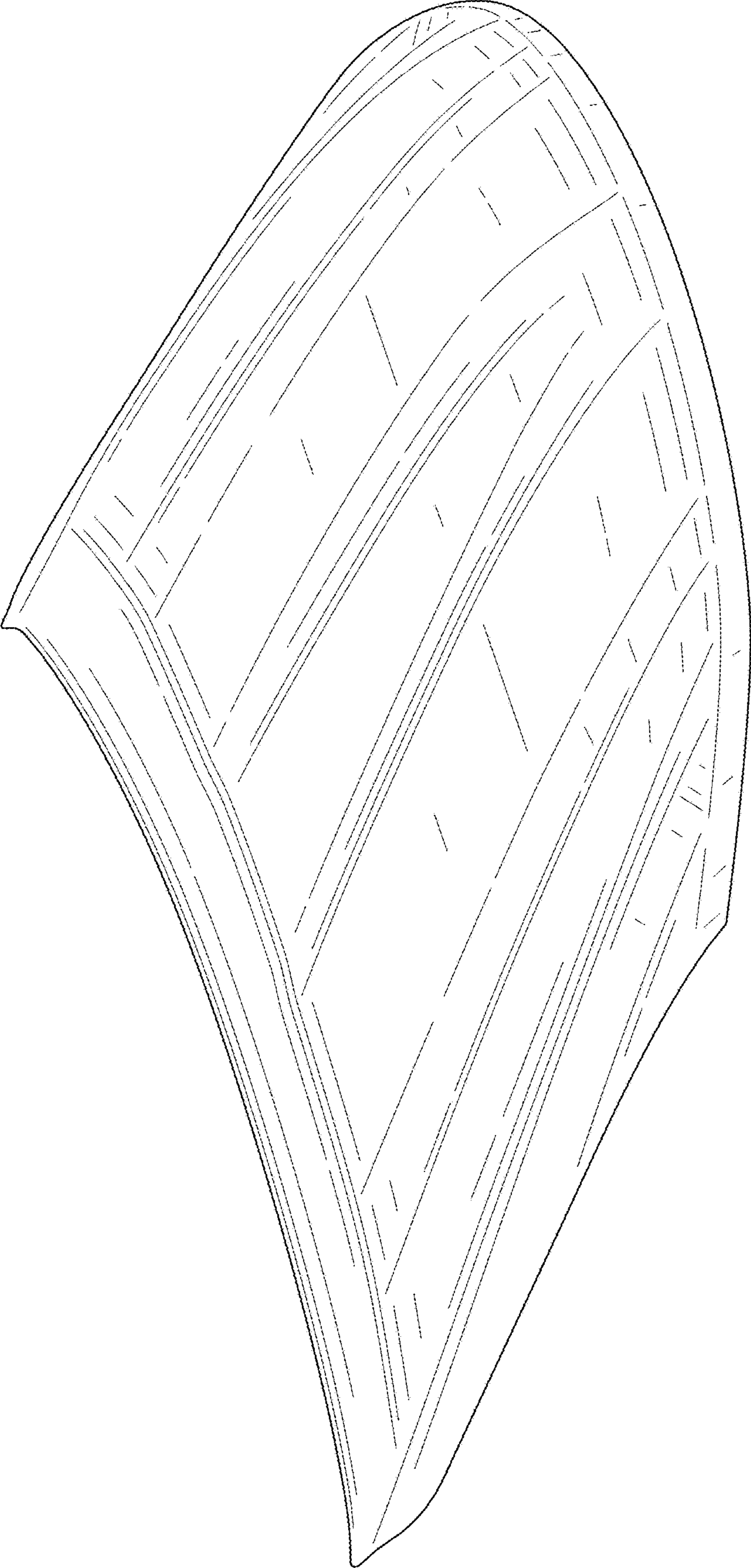


FIG. 1

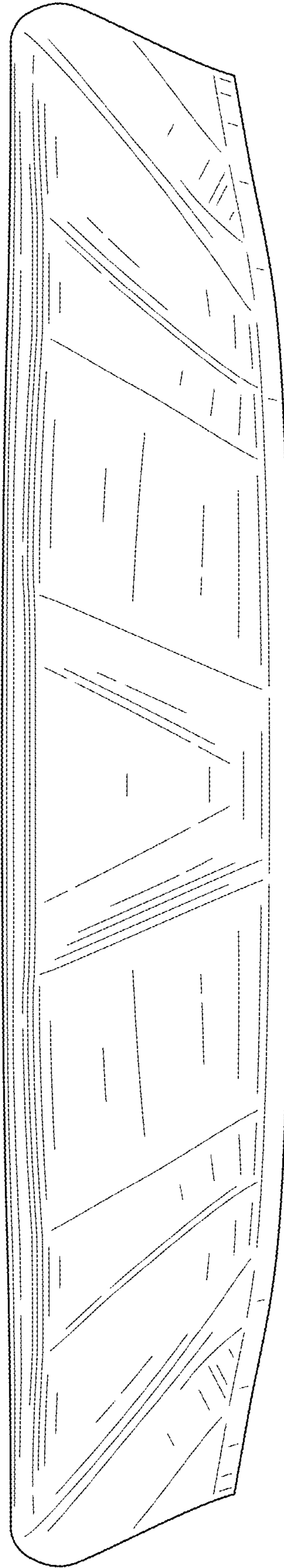


FIG. 2

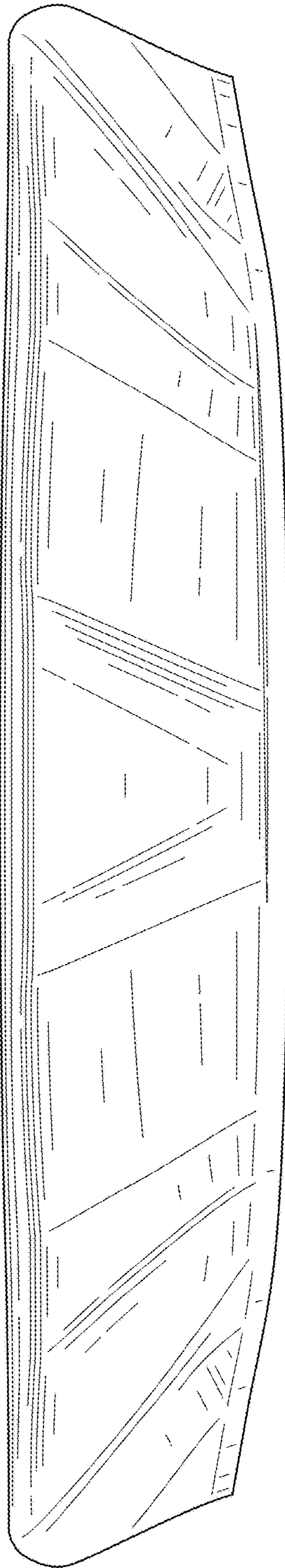


FIG. 3

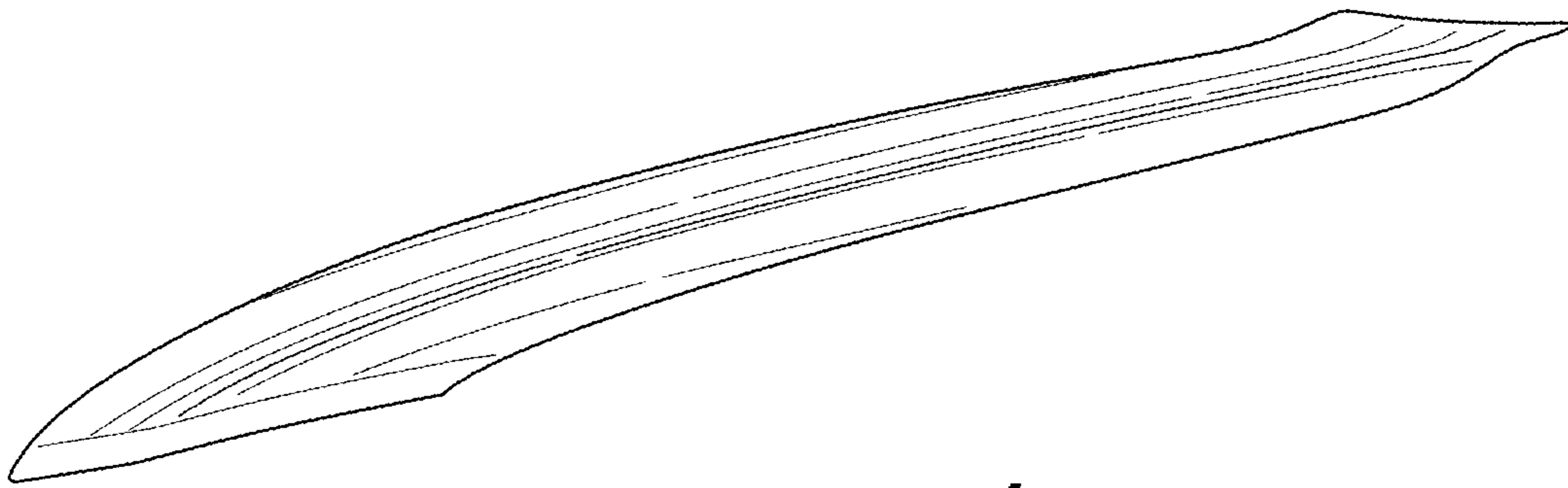


FIG. 4

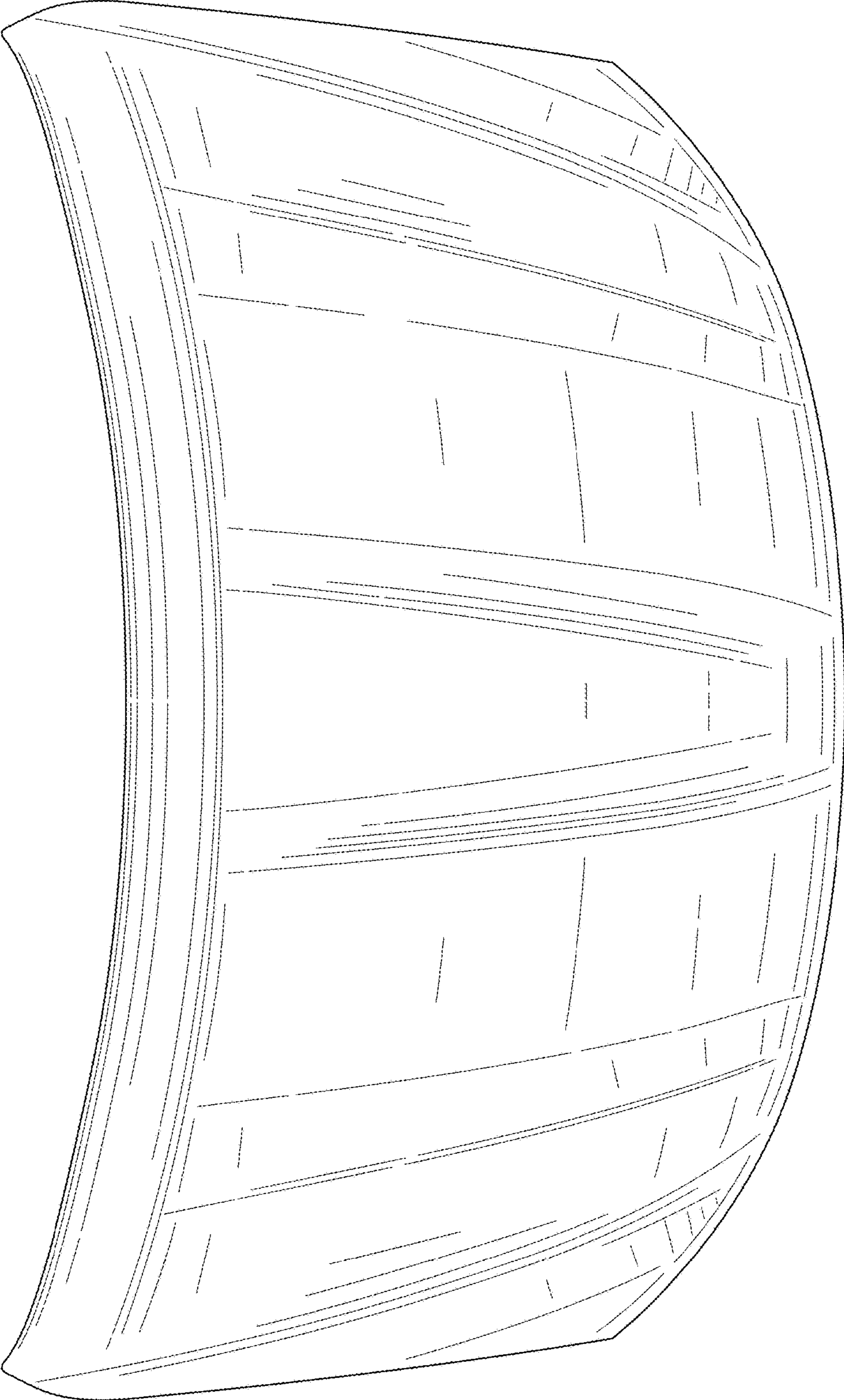


FIG. 5

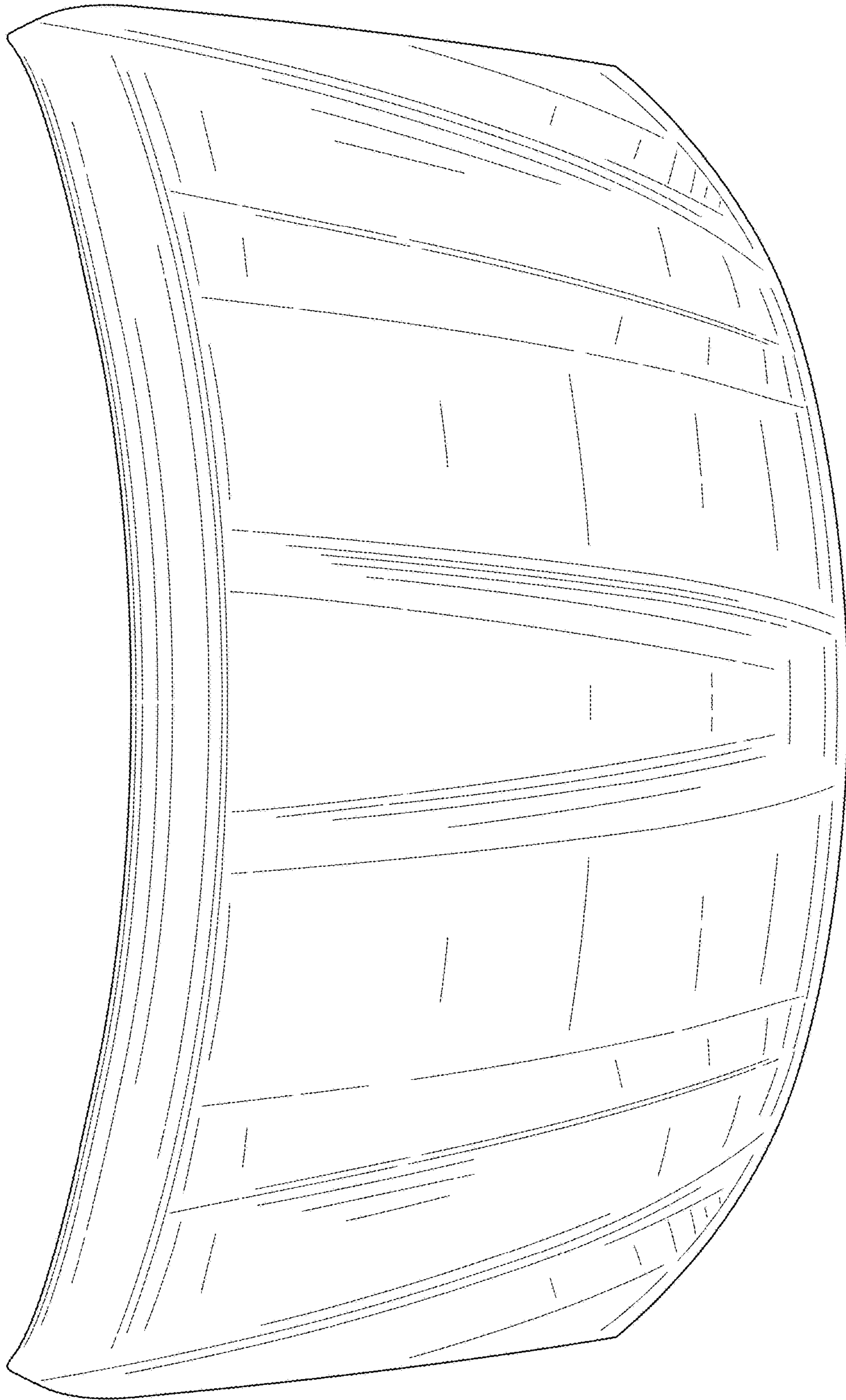


FIG. 6