



US00D808308S

(12) **United States Design Patent**  
**Gillam et al.**

(10) **Patent No.:** **US D808,308 S**

(45) **Date of Patent:** **\*\* Jan. 23, 2018**

- (54) **AUTOMOBILE FRONT GRILLE**
- (71) Applicants: **Michael C Gillam**, Addison Township, MI (US); **Gregory A Howell**, Farmington, MI (US); **Joseph S Dehner**, Bloomfield Hills, MI (US)
- (72) Inventors: **Michael C Gillam**, Addison Township, MI (US); **Gregory A Howell**, Farmington, MI (US); **Joseph S Dehner**, Bloomfield Hills, MI (US)
- (73) Assignee: **FCA US LLC**, Auburn Hills, MI (US)
- (\*\*) Term: **15 Years**
- (21) Appl. No.: **29/553,486**
- (22) Filed: **Feb. 2, 2016**

D755,082 S *	5/2016	Gillam	.....	D12/98
D764,980 S *	8/2016	Platto	.....	D12/98
D766,782 S *	9/2016	Arroba	.....	D12/163
D769,160 S *	10/2016	Platto	.....	D12/163
D776,020 S *	1/2017	Kapitonov	.....	D12/163
D786,747 S *	5/2017	Woolley	.....	D12/169
D787,386 S *	5/2017	Chang	.....	D12/169
D789,844 S *	6/2017	Sakai	.....	D12/163
D789,845 S *	6/2017	Oohashi	.....	D12/163

\* cited by examiner

*Primary Examiner* — Melody N Brown

(74) *Attorney, Agent, or Firm* — Ralph E. Smith

**Related U.S. Application Data**

- (63) Continuation-in-part of application No. 29/513,952, filed on Jan. 7, 2015, now Pat. No. Des. 755,082.
- (51) **LOC (11) Cl.** ..... **12-16**
- (52) **U.S. Cl.**  
USPC ..... **D12/163**
- (58) **Field of Classification Search**  
USPC .... D12/163, 196, 86, 90-92, 171, 169, 216,  
D12/98; 180/68.1, 68.6; 293/193.11  
CPC ..... B62D 25/08; B62B 9/16; B60K 11/08;  
B60R 19/52  
See application file for complete search history.

(56) **References Cited**

**U.S. PATENT DOCUMENTS**

D588,501 S *	3/2009	Kruger	.....	D12/98
D754,572 S *	4/2016	McMahan	.....	D12/163

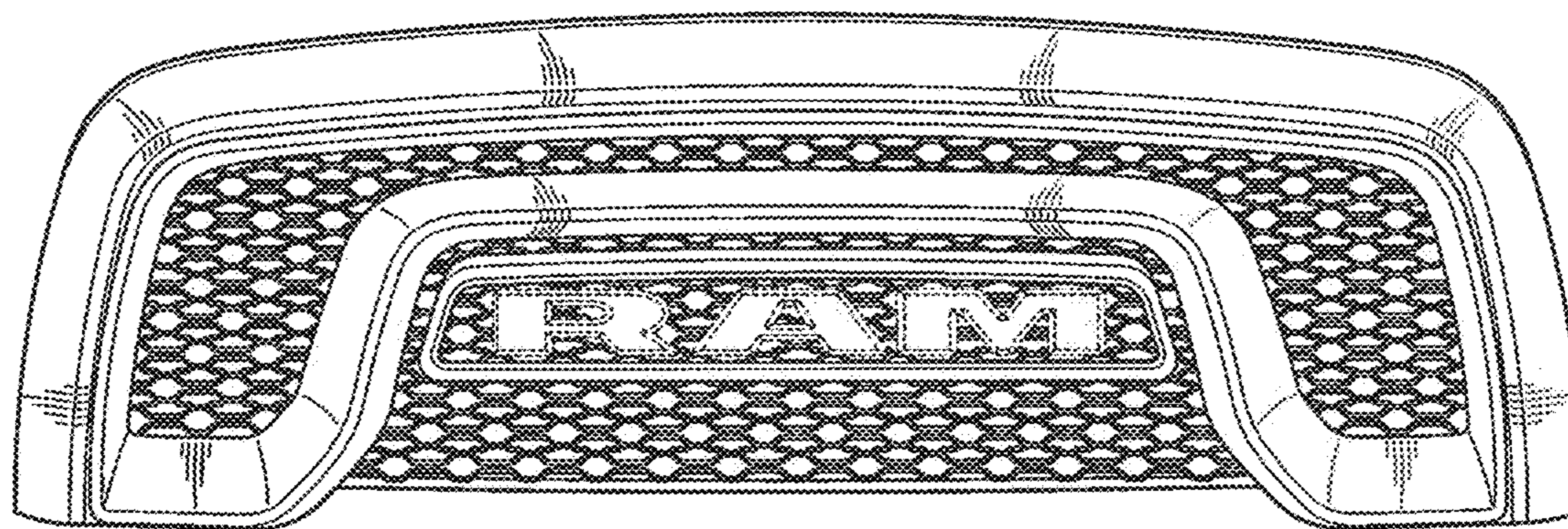
(57) **CLAIM**

The ornamental design for an automobile front grille, as shown and described.

**DESCRIPTION**

FIG. 1 is a front perspective view of an automobile front grille showing our new design on an automobile;  
 FIG. 2 is a side elevational view thereof;  
 FIG. 3 is an opposite side elevational view thereof;  
 FIG. 4 is a front elevational view thereof;  
 FIG. 5 is an enlarged front perspective view thereof;  
 FIG. 6 is an enlarged front elevational view thereof;  
 FIG. 7 is an enlarged side elevational view thereof;  
 FIG. 8 is an enlarged top plan view; and,  
 FIG. 9 is an enlarged rear elevational view thereof.  
 It will be understood that the broken lines shown in the drawings illustrate portions of the automobile front grille that form no part of claimed design.

**1 Claim, 5 Drawing Sheets**



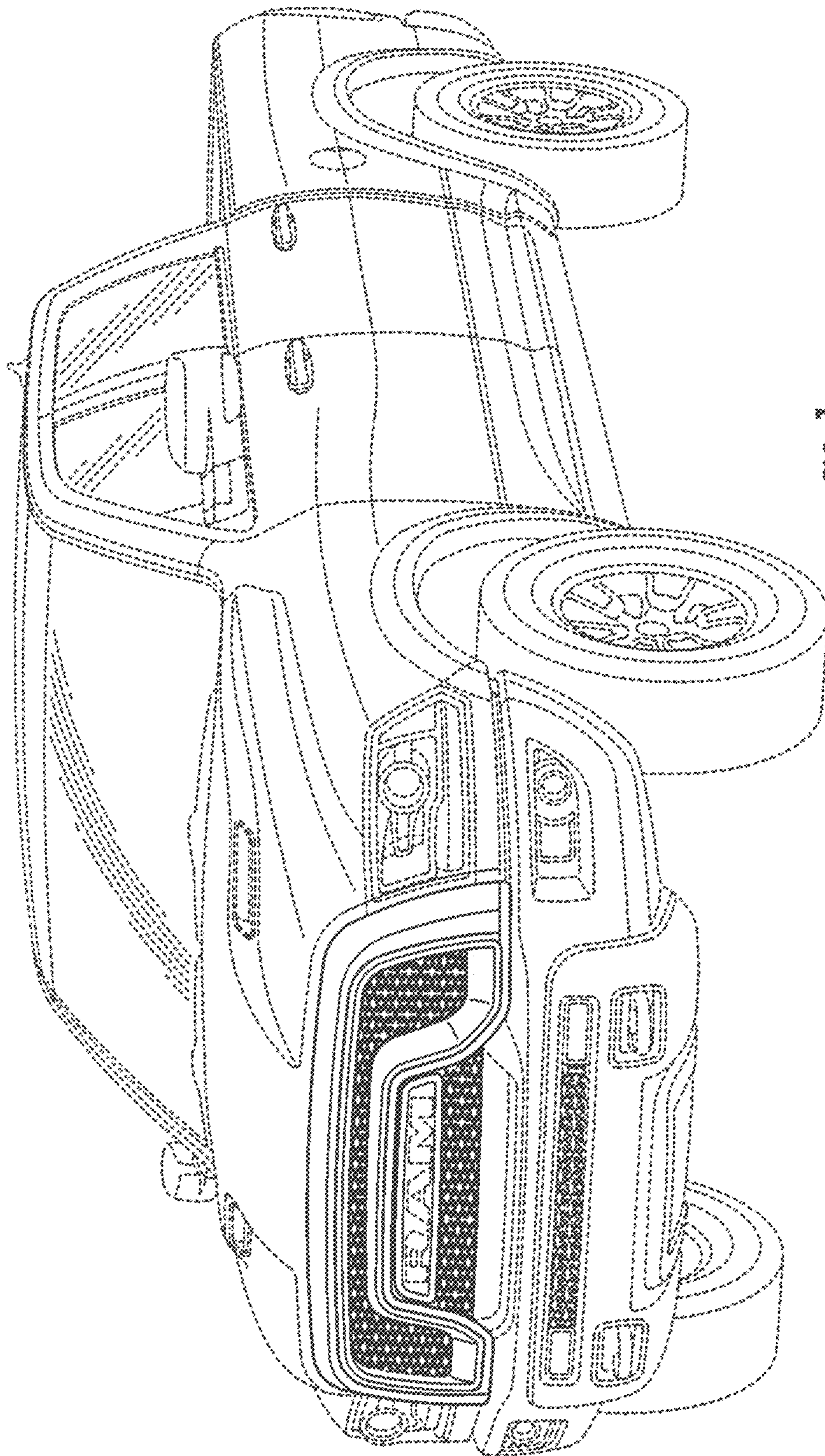


FIG. 1

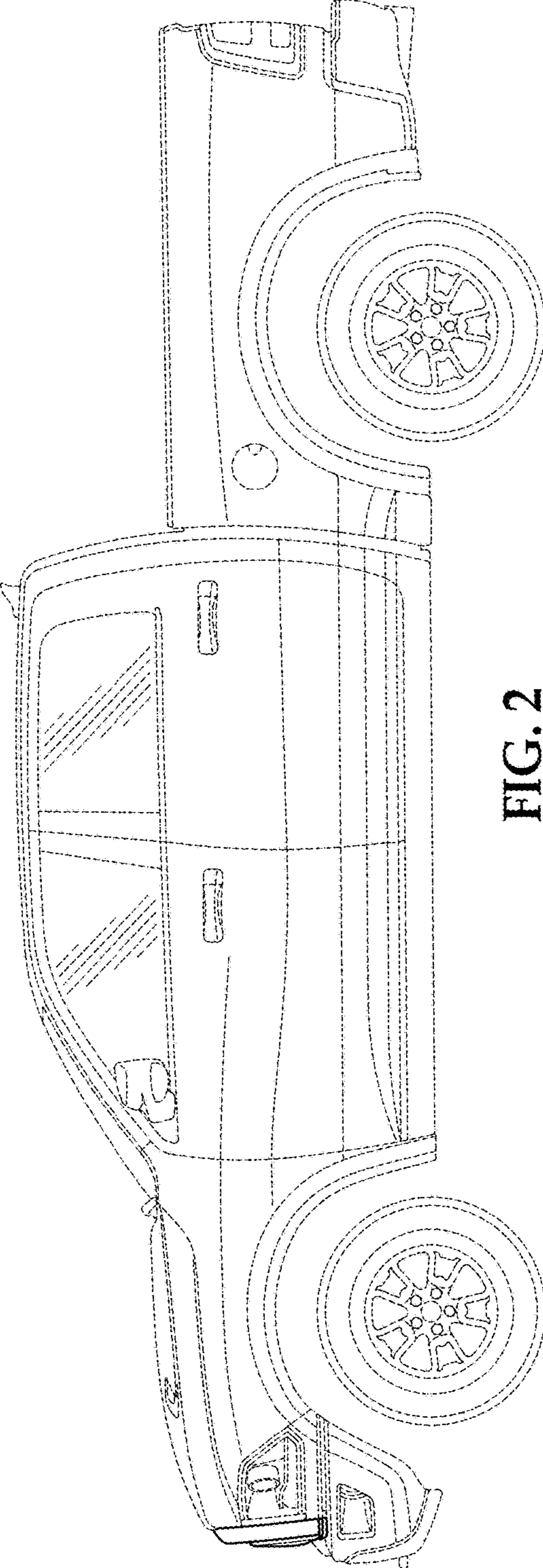


FIG. 2

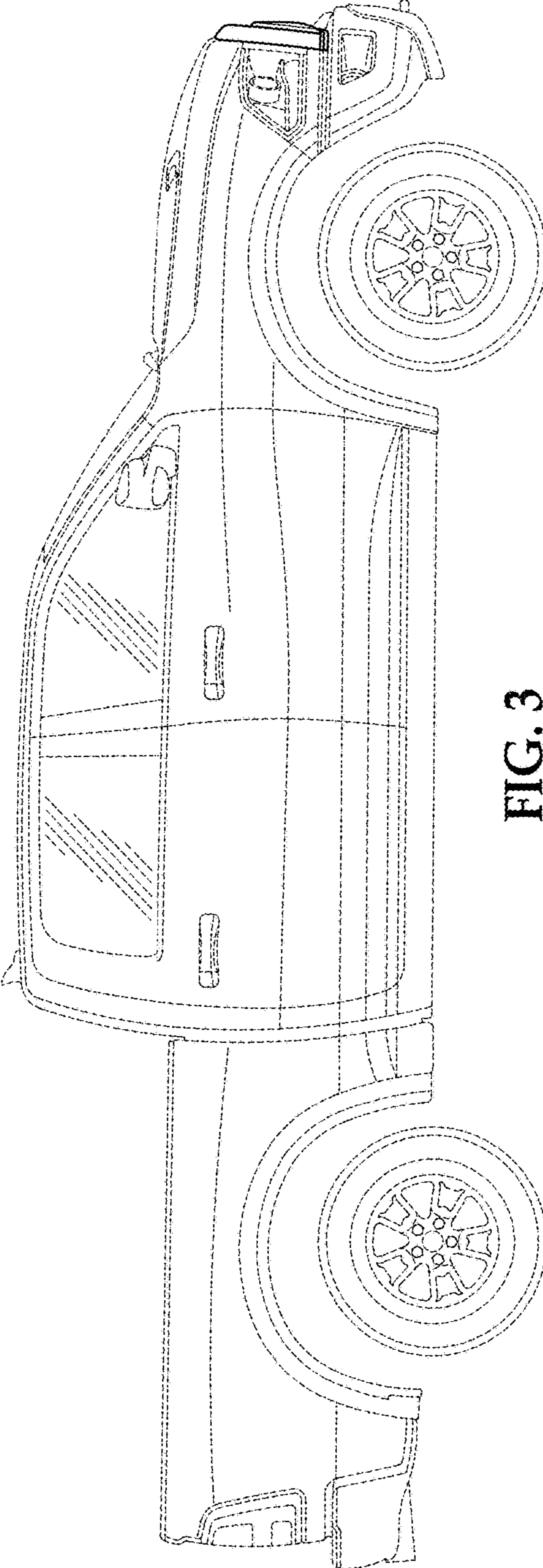


FIG. 3

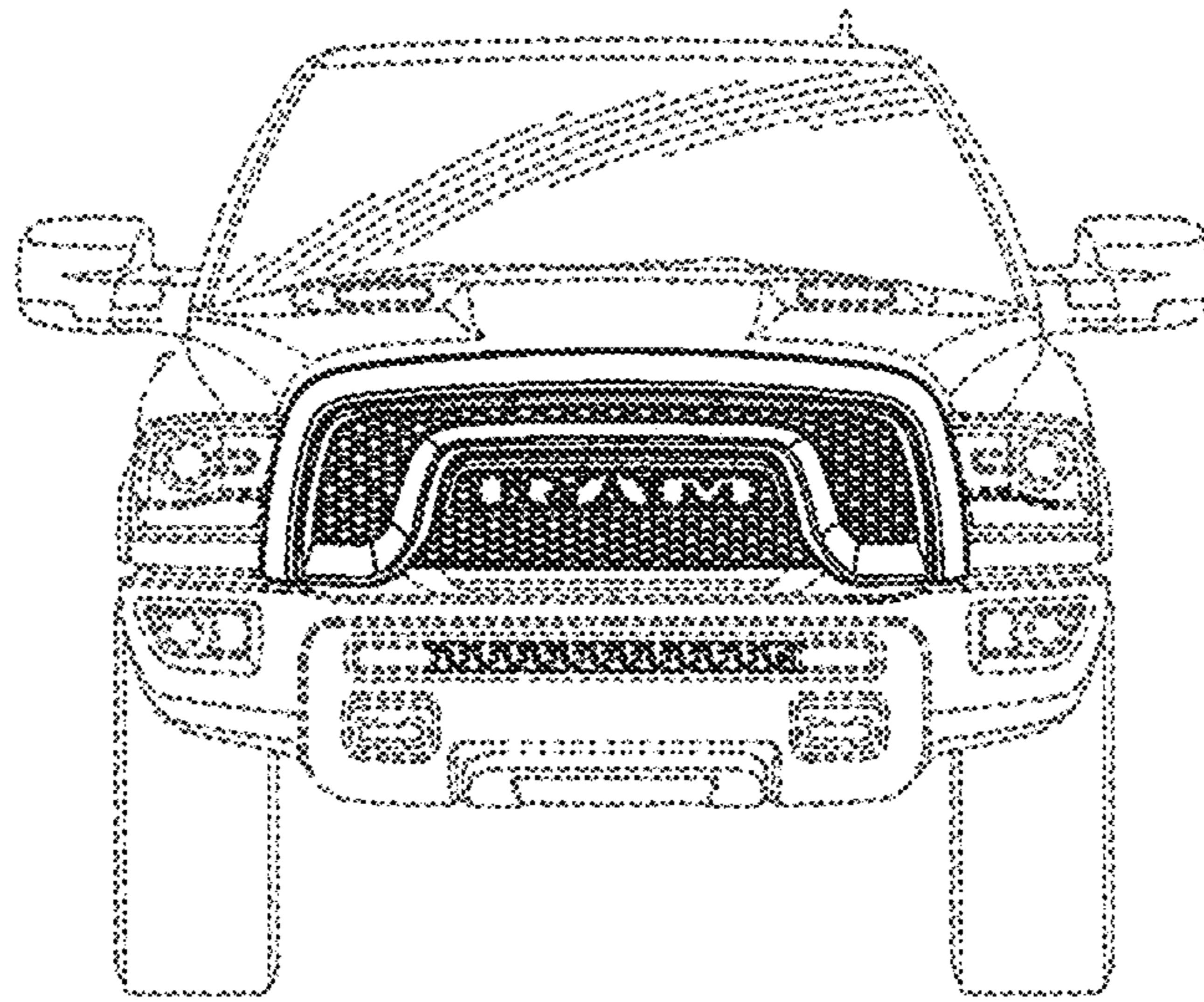


FIG. 4

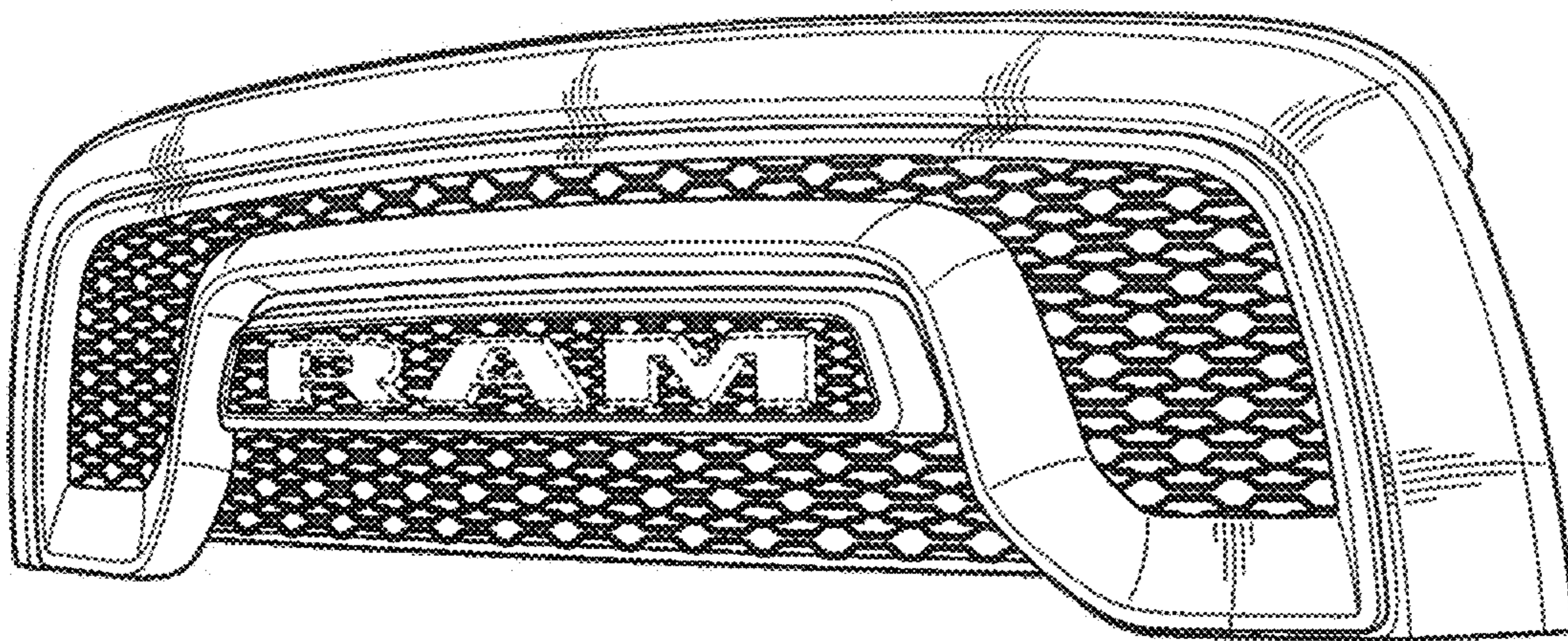


FIG. 5

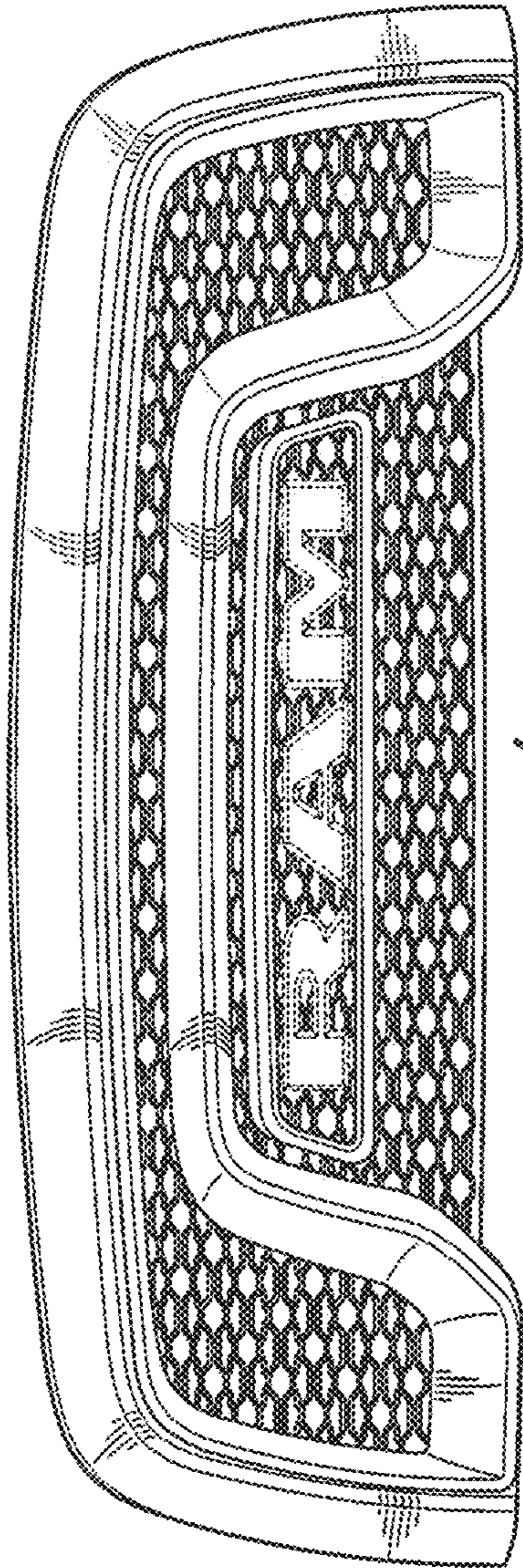


FIG. 6

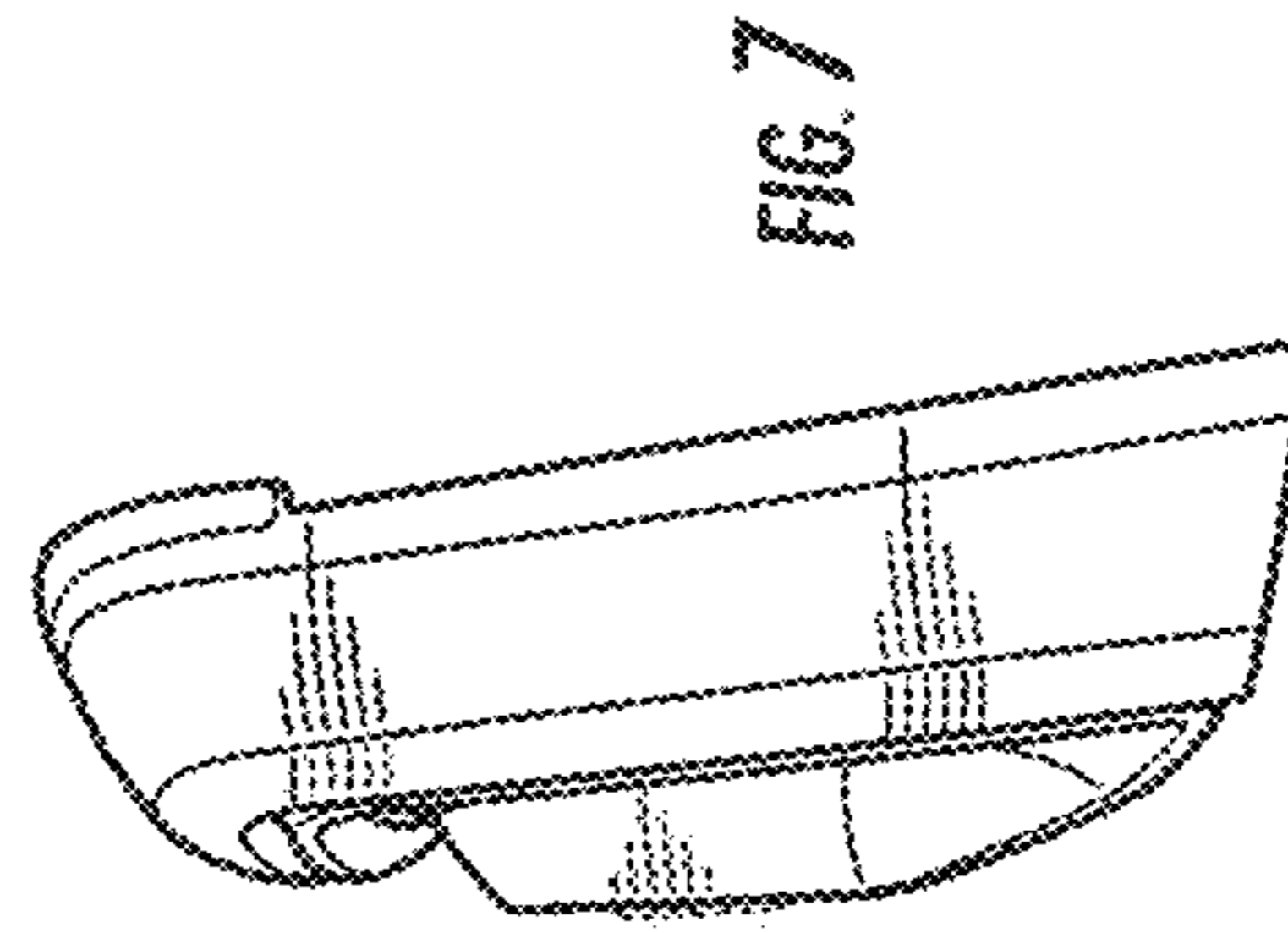


FIG. 7

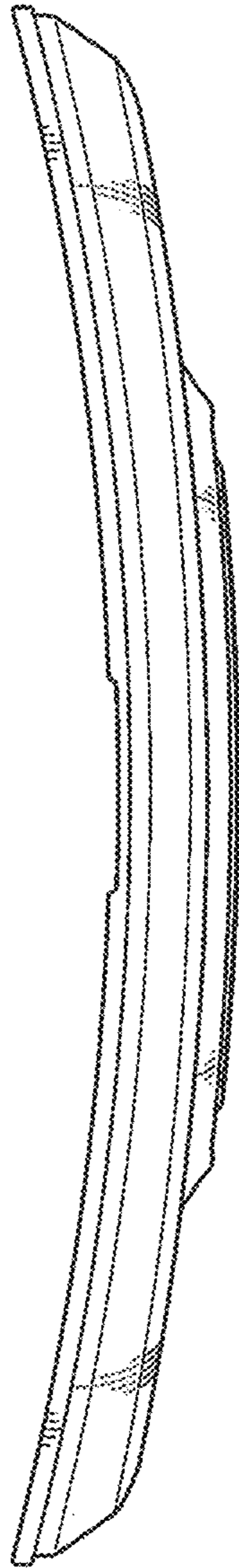


FIG. 8

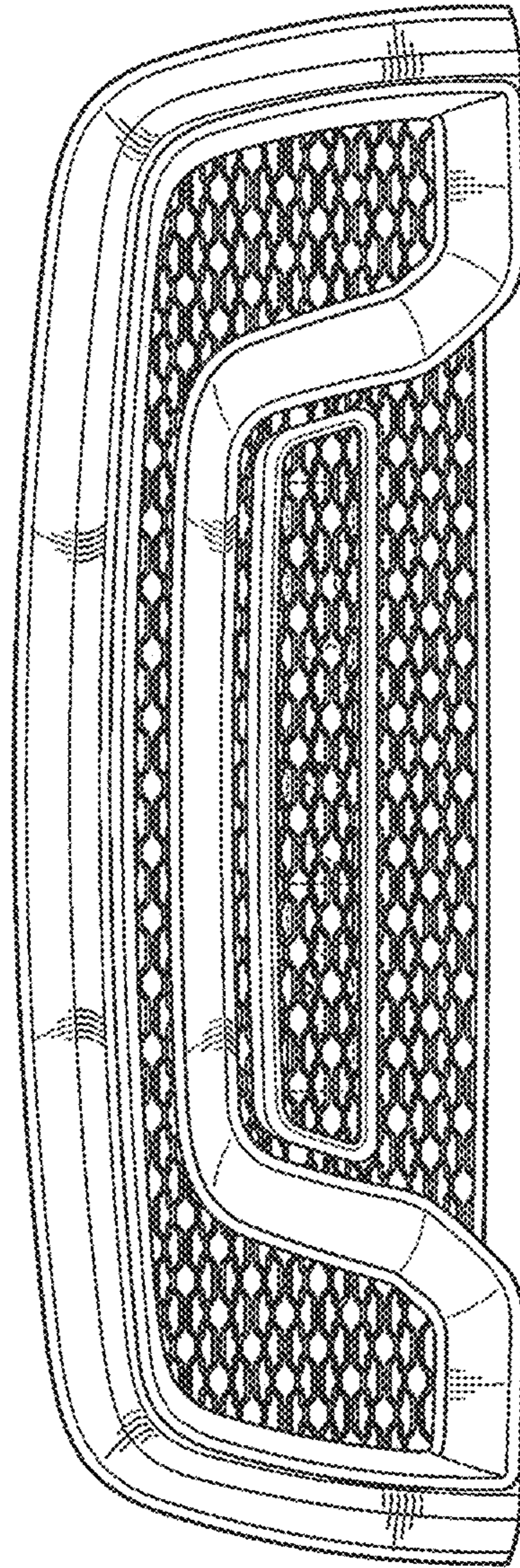


FIG. 9