



US00D808307S

(12) **United States Design Patent**
Pos

(10) **Patent No.:** **US D808,307 S**
(45) **Date of Patent:** **** Jan. 23, 2018**

(54) **STROLLER FRAME WITH WHEELS**
(71) Applicant: **CYBEX GMBH**, Bayreuth (DE)
(72) Inventor: **Martin Pos**, Bayreuth (DE)
(73) Assignee: **Cybox GmbH**, Bayreuth (DE)
(**) Term: **15 Years**

D584,194 S * 1/2009 Zweideck D12/129
D616,338 S * 5/2010 Kho D12/129
D616,340 S * 5/2010 Wu D12/129
D616,792 S * 6/2010 Jacobs D12/129
D635,491 S * 4/2011 Ohnishi D12/129
D643,786 S * 8/2011 Barenbrug D12/129
D670,210 S * 11/2012 Li D12/129
D687,352 S * 8/2013 Shellenberger D12/129
8,919,806 B2 * 12/2014 Pollack B62B 7/066
280/642
8,919,807 B2 * 12/2014 Taylor B62B 7/06
280/642
D721,015 S * 1/2015 Bassan D12/129
D737,733 S * 9/2015 Zhong D12/129
D744,381 S * 12/2015 Li D12/129
D749,992 S * 2/2016 Mills D12/129
D765,555 S * 9/2016 Lai D12/129
D769,158 S * 10/2016 Ruggiero D12/129
2014/0312586 A1 * 10/2014 Cheng B62B 7/008
280/47.35

(21) Appl. No.: **35/500,637**
(22) Filed: **Aug. 25, 2015**

(80) **Hague Agreement Data**
Int. Filing Date: **Aug. 25, 2015**
Int. Reg. No.: **DM/088804**
Int. Reg. Date: **Aug. 25, 2015**
Int. Reg. Pub. Date: **Feb. 26, 2016**

(30) **Foreign Application Priority Data**

Aug. 18, 2015 (WO) 915287901

(51) **LOC (11) Cl.** **12-12**
(52) **U.S. Cl.**
USPC **D12/129**

(58) **Field of Classification Search**
USPC D12/129
CPC B62B 7/06; B62B 9/12; B62B 9/28; B62B
7/006; B62B 7/064; B62B 7/08; B62B
9/20
See application file for complete search history.

(56) **References Cited**

U.S. PATENT DOCUMENTS

D566,013 S * 4/2008 Wang D12/129
D570,747 S * 6/2008 Beger D12/129
D583,719 S * 12/2008 Siewertsen D12/129

* cited by examiner

Primary Examiner — Michael A Pratt

(74) *Attorney, Agent, or Firm* — Boyle Fredrickson, S.C.

(57) **CLAIM**

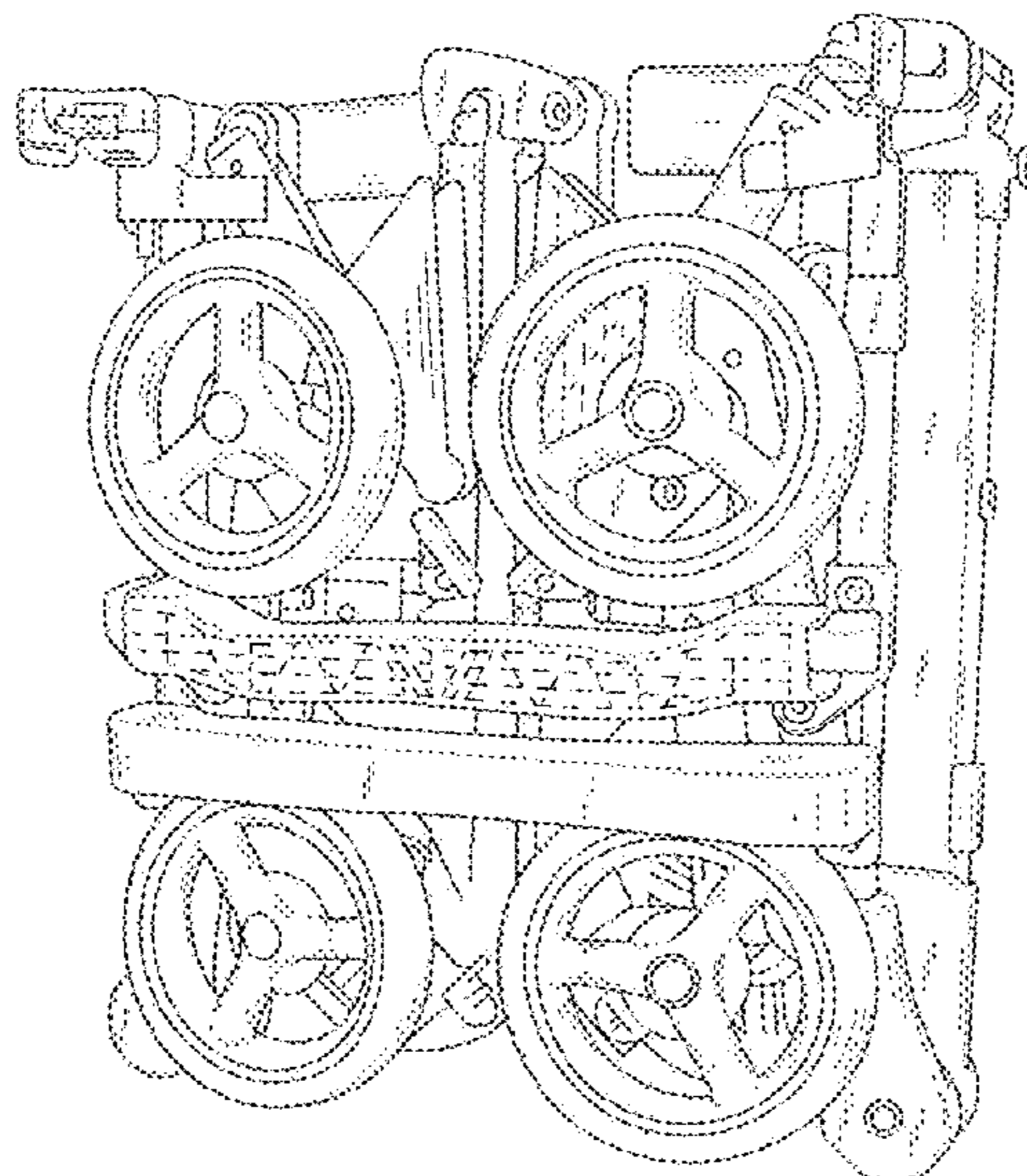
The ornamental design for a stroller frame with wheels, respectively as shown and described.

DESCRIPTION

- 2. Stroller frames
- 2.1 : Perspective
- 2.2 : Top
- 2.3 : Bottom
- 2.4 : Left
- 2.5 : Right
- 2.6 : Back
- 2.7 : Front

The broken lines in the drawings depict parts of the stroller frame with wheels that form no part of the claimed design.

1 Claim, 7 Drawing Sheets



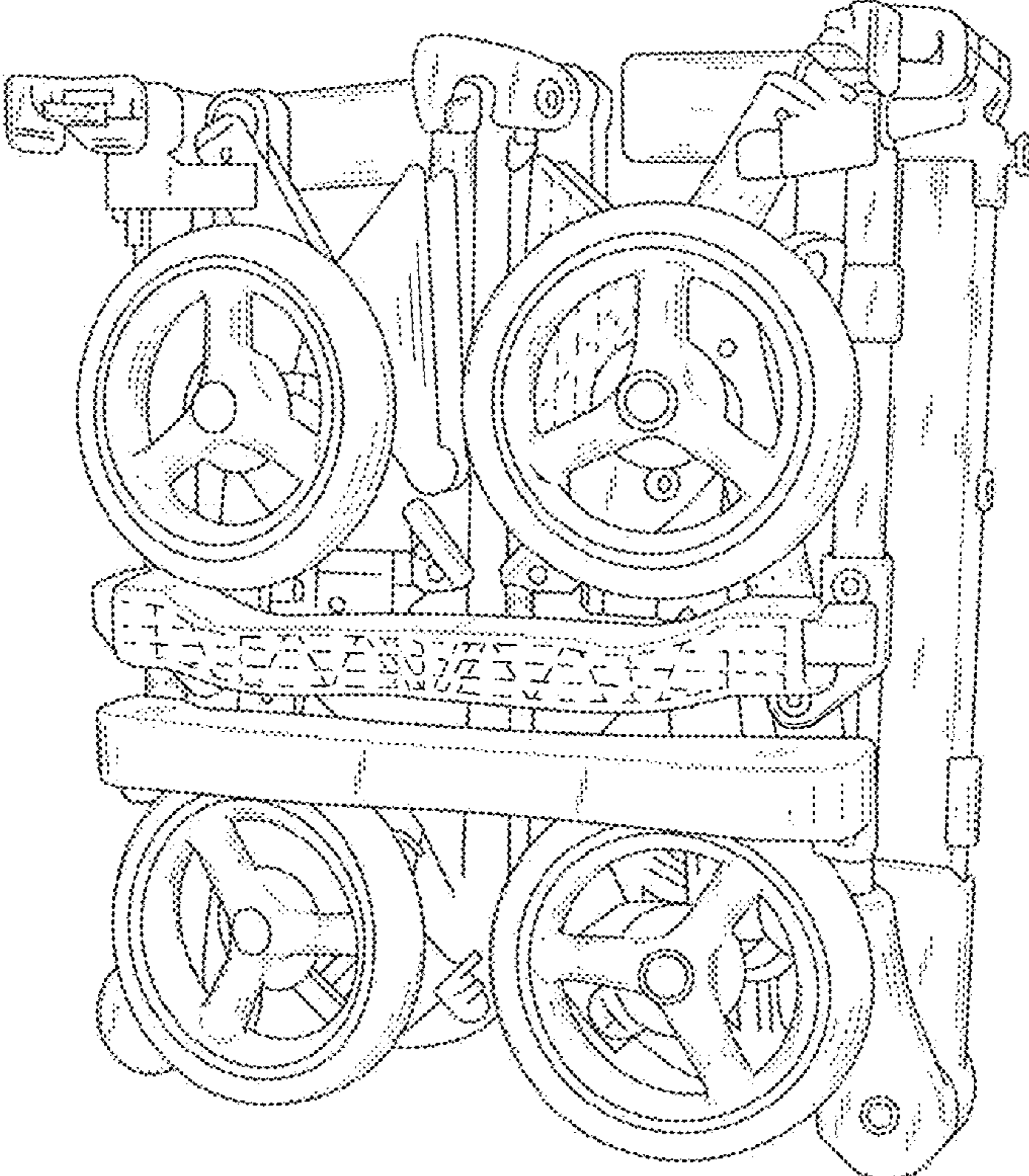


FIG. 2.1

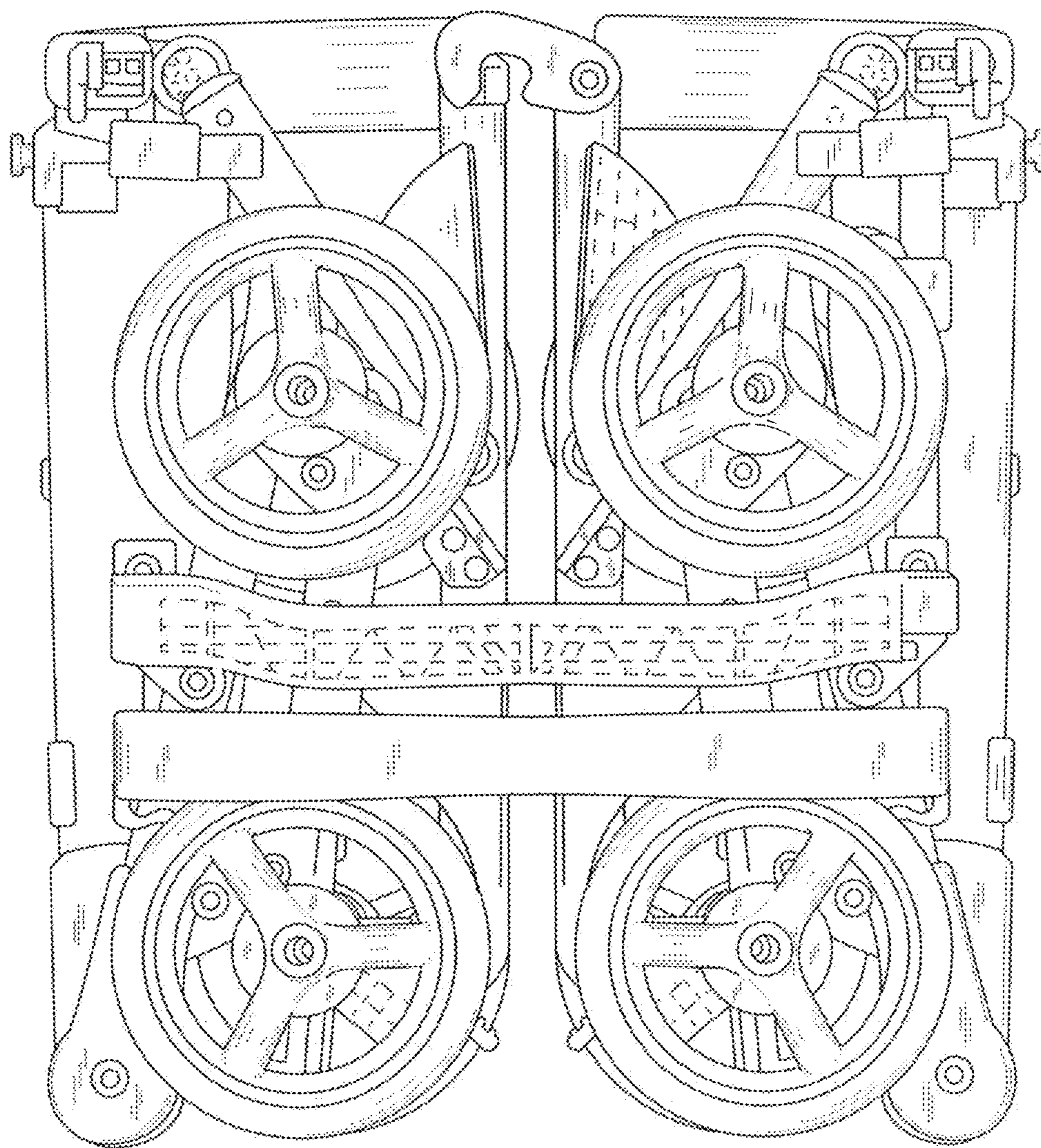


FIG. 2.2

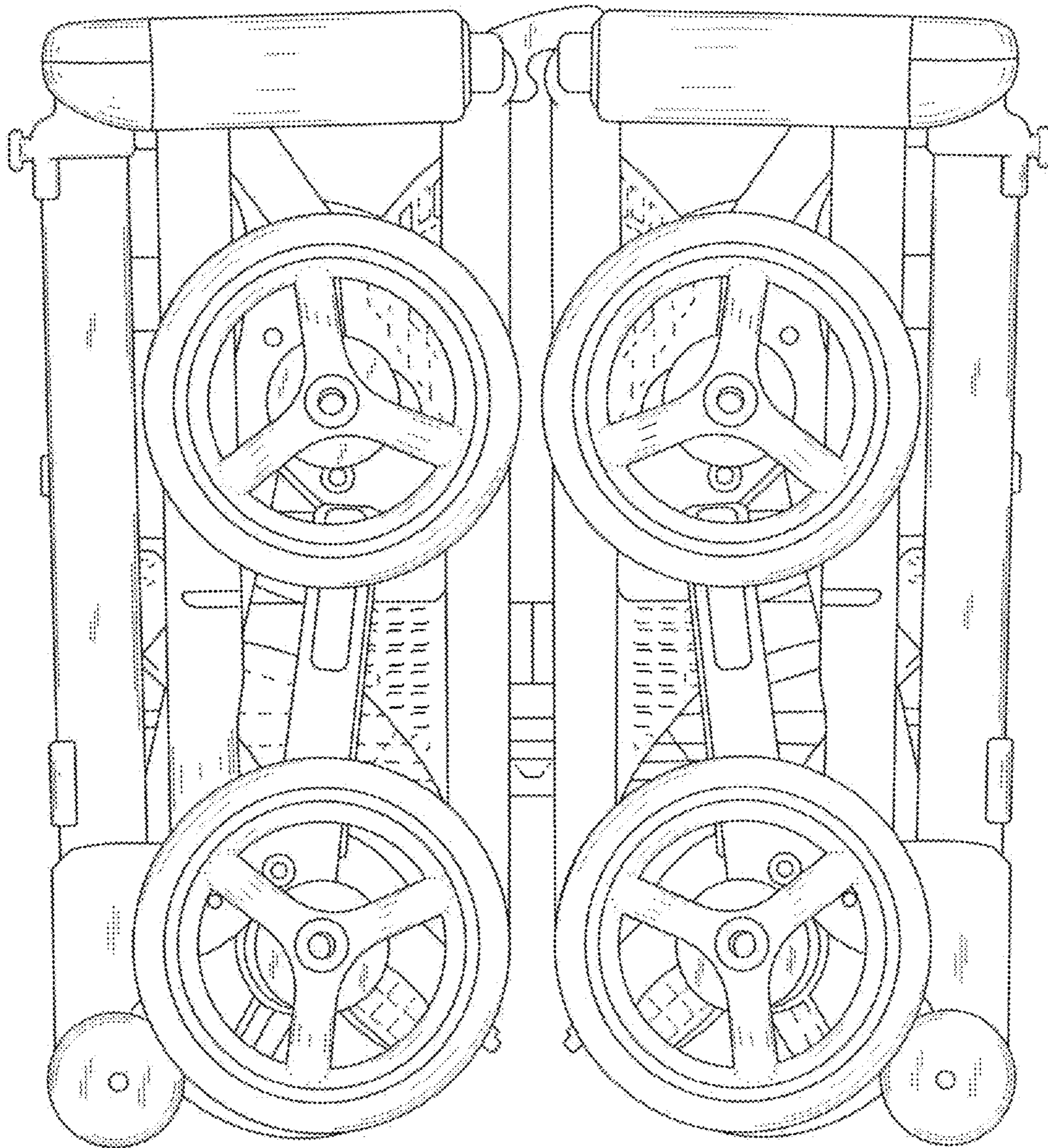


FIG. 2.3

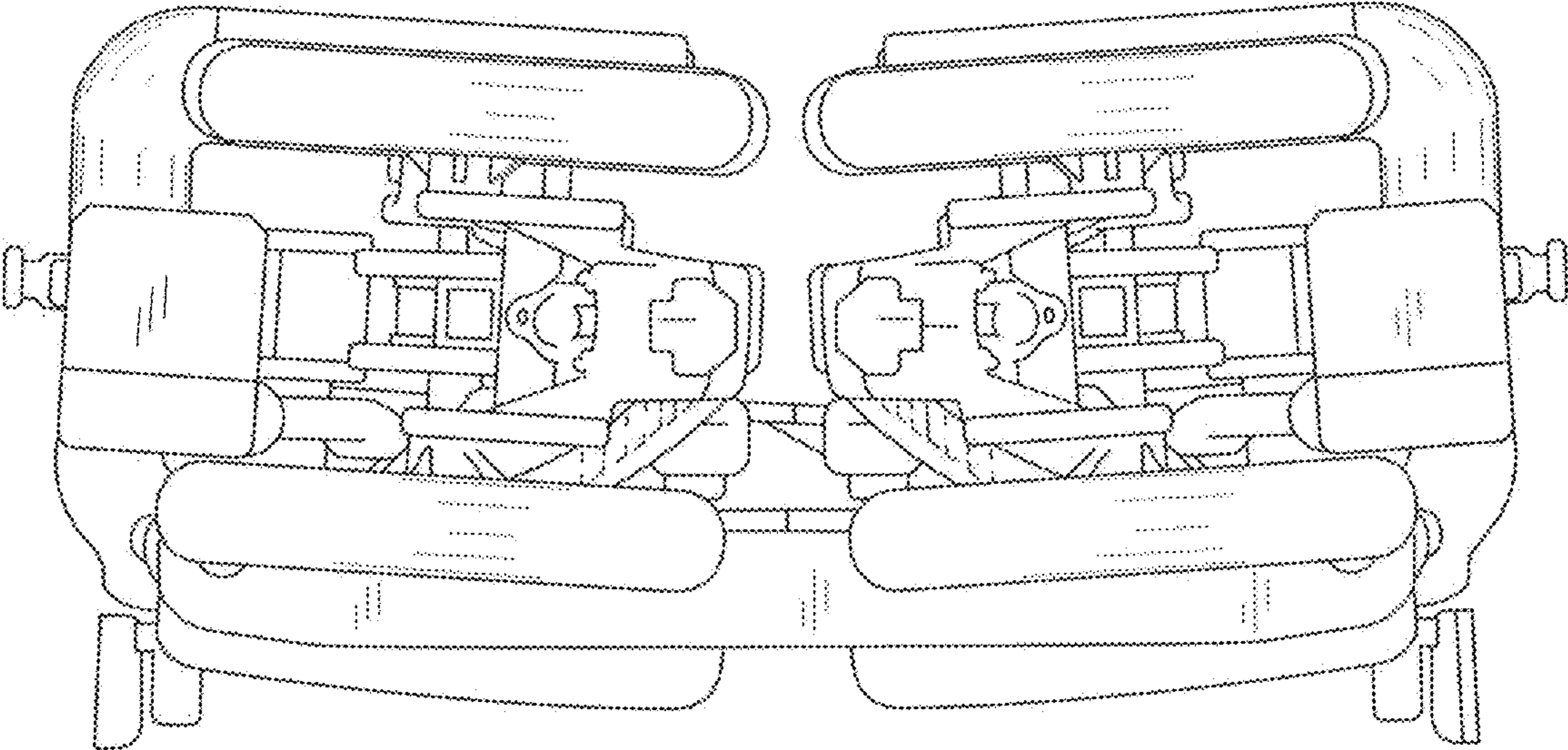


FIG. 2.4

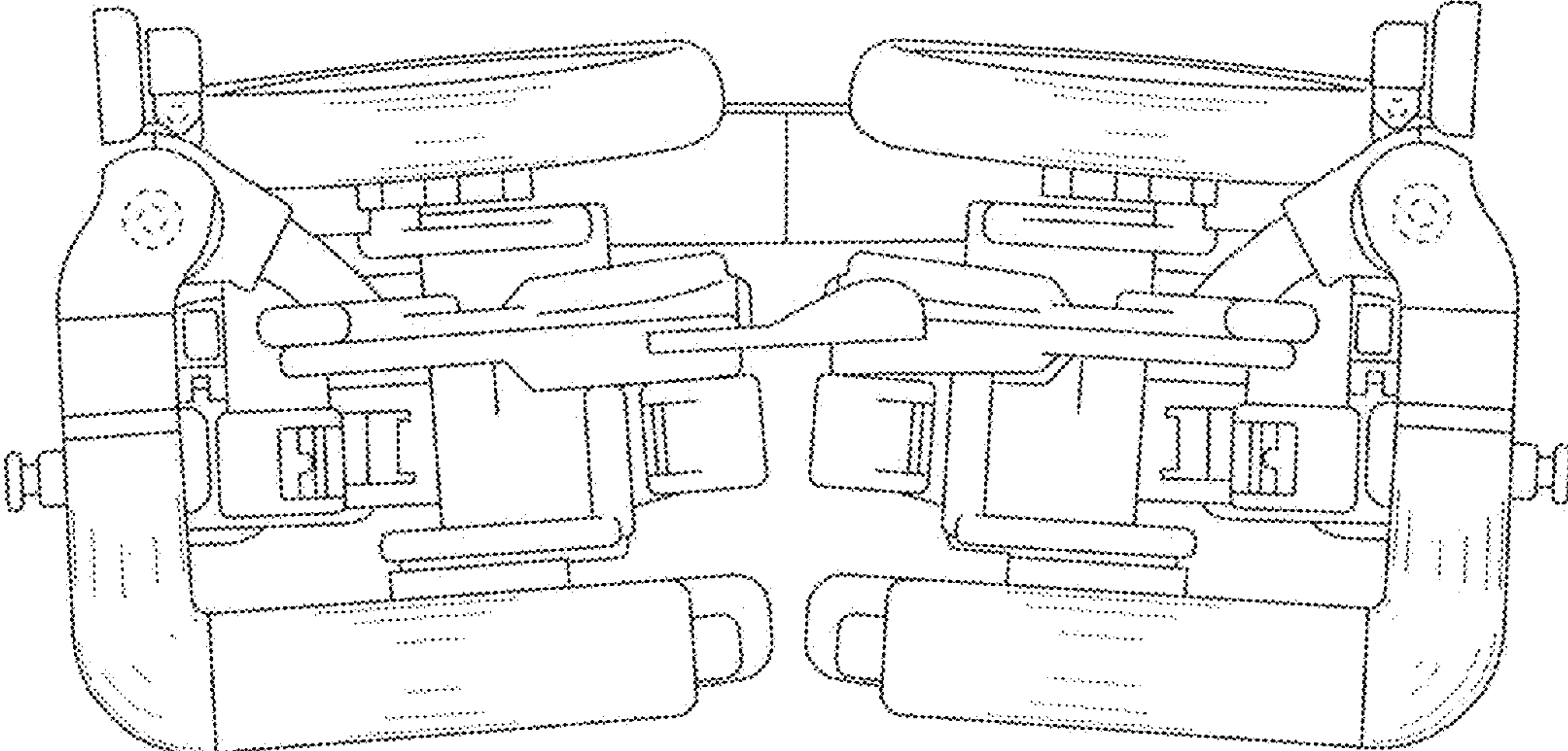


FIG. 2.5

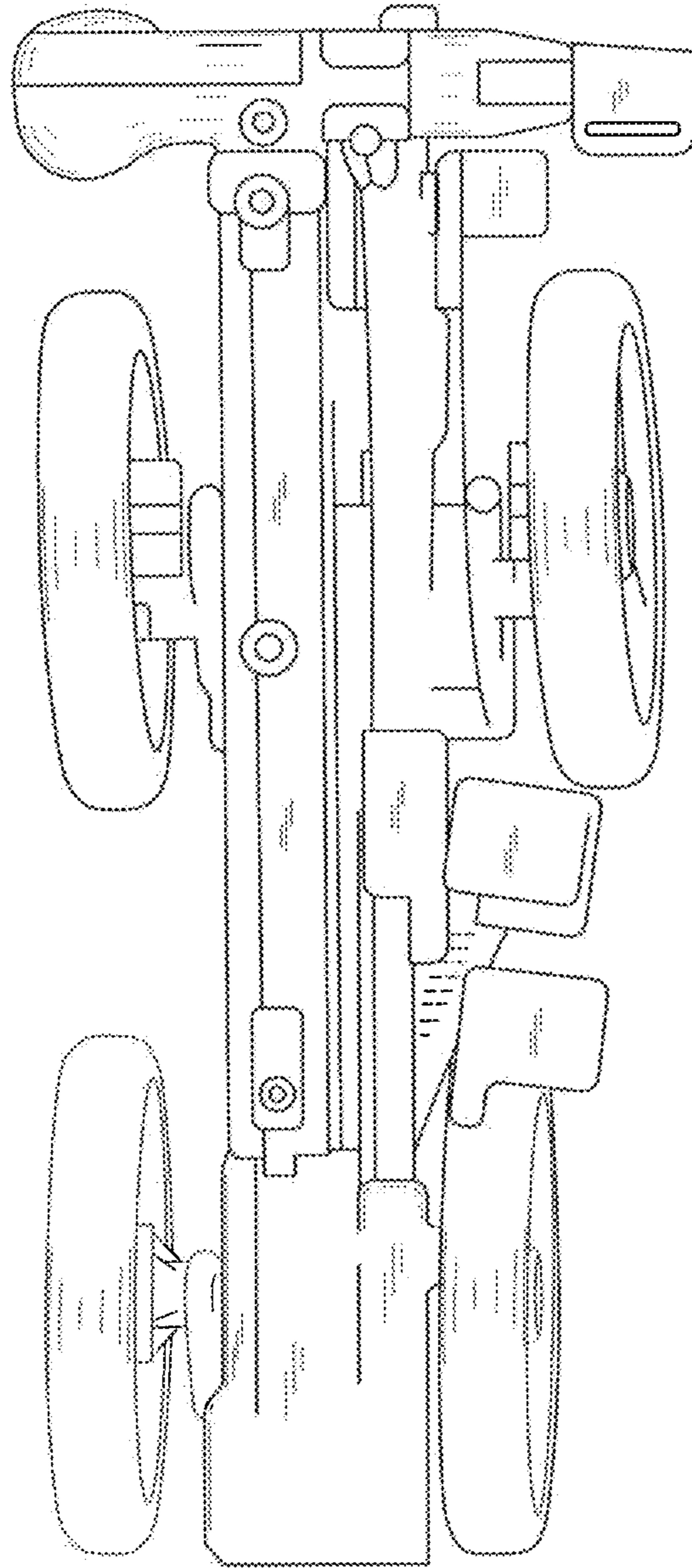


FIG. 2.6

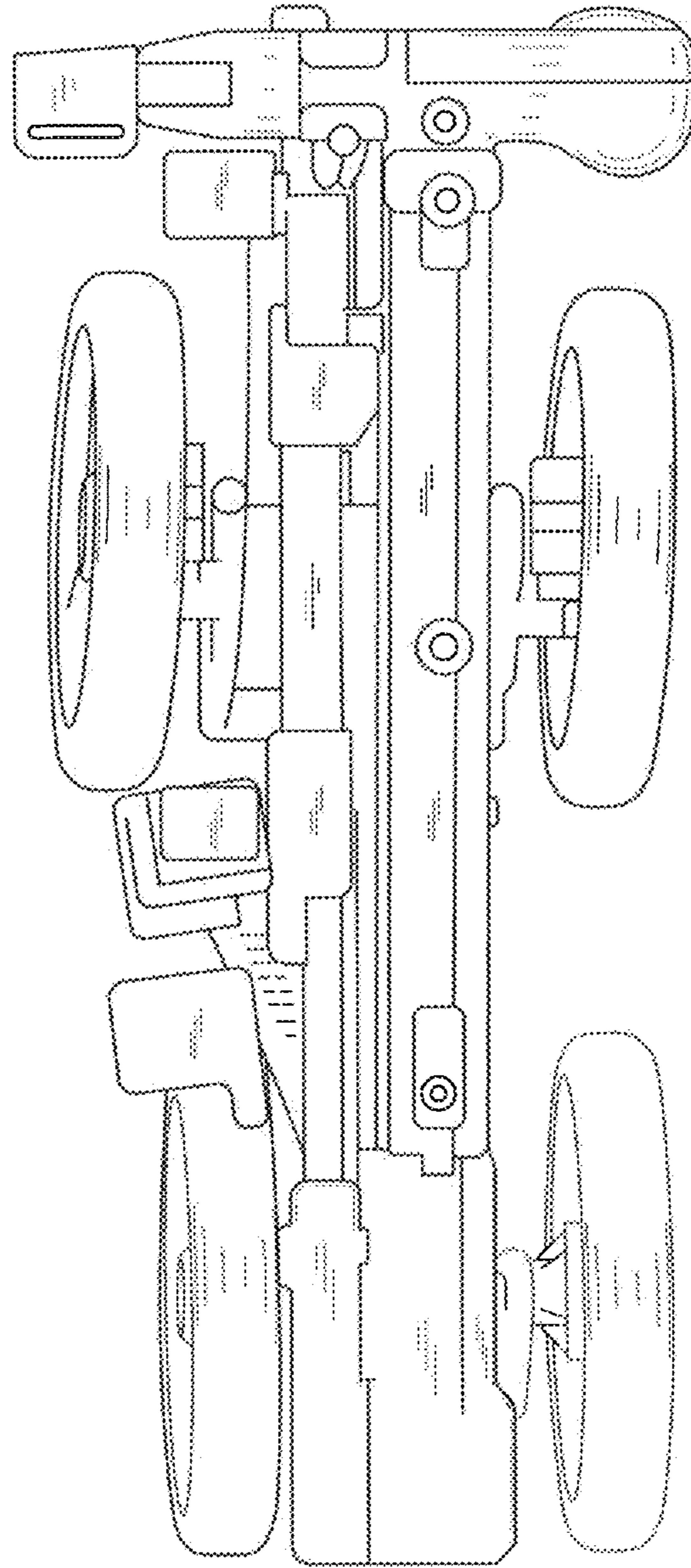


FIG. 2.7

UNITED STATES PATENT AND TRADEMARK OFFICE
CERTIFICATE OF CORRECTION

PATENT NO. : D808,307 S
APPLICATION NO. : 35/500637
DATED : January 23, 2018
INVENTOR(S) : Martin Pos

Page 1 of 16

It is certified that error appears in the above-identified patent and that said Letters Patent is hereby corrected as shown below:

On the Title Page

Delete the title page and substitute therefore with the attached title page consisting of the corrected illustrative figure.

Item (57), under DESCRIPTION

Please add the figure descriptions for Figs. 1.1 – 1.7 as follows:

--1.1: Perspective

1.2: Front

1.3: Back

1.4: Left

1.5: Right

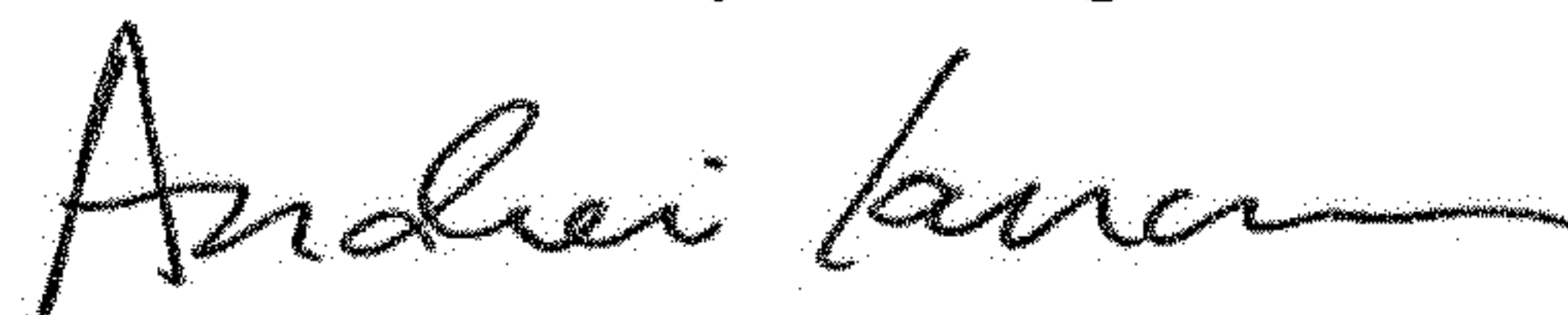
1.6: Top

1.7: Bottom--.

In the Drawings

Please replace FIGS. 2.1 – 2.7 with FIGS. 1.1 – 2.7 as shown on the attached pages.

Signed and Sealed this
Twentieth Day of August, 2019



Andrei Iancu
Director of the United States Patent and Trademark Office

(12) **United States Design Patent** (10) **Patent No.:** **US D808,307 S**
Pos (45) **Date of Patent:** **** Jan. 23, 2018**

(54) **STROLLER FRAME WITH WHEELS**

(71) Applicant: **CYBEX GMBH, Bayreuth (DE)**

(72) Inventor: **Martin Pos, Bayreuth (DE)**

(73) Assignee: **Cybex GmbH, Bayreuth (DE)**

(**) Term: **15 Years**

(21) Appl. No.: **35/500,637**

(22) Filed: **Aug. 25, 2015**

(80) **Hague Agreement Data**

Int. Filing Date: **Aug. 25, 2015**

Int. Reg. No.: **DM/088804**

Int. Reg. Date: **Aug. 25, 2015**

Int. Reg. Pub. Date: **Feb. 26, 2016**

(30) **Foreign Application Priority Data**

Aug. 18, 2015 (WO) 915287901

(51) **LOC (11) CL.** **12-12**

(52) **U.S. CL.** **D12/129**
 USPC

(58) **Field of Classification Search**
 USPC D12/129
 CPC B62B 7/06; B62B 9/12; B62B 9/28; B62B 7/006; B62B 7/064; B62B 7/08; B62B 9/20

See application file for complete search history.

(56) **References Cited**

U.S. PATENT DOCUMENTS

D566,013 S * 4/2008 Wang D12/129
 D570,747 S * 6/2008 Beger D12/129
 D583,719 S * 12/2008 Siewertsen D12/129

D584,194 S * 1/2009 Zweideck D12/129
 D616,338 S * 5/2010 Kho D12/129
 D616,340 S * 5/2010 Wu D12/129
 D616,792 S * 6/2010 Jacobs D12/129
 D635,491 S * 4/2011 Ohnishi D12/129
 D643,786 S * 8/2011 Barenbrug D12/129
 D670,210 S * 11/2012 Li D12/129
 D687,352 S * 8/2013 Shellenberger D12/129
 8,919,806 B2 * 12/2014 Pollack B62B 7/066
 280/642
 8,919,807 B2 * 12/2014 Taylor B62B 7/06
 280/642
 D721,015 S * 1/2015 Bassan D12/129
 D737,733 S * 9/2015 Zhong D12/129
 D744,381 S * 12/2015 Li D12/129
 D749,992 S * 2/2016 Mills D12/129
 D765,555 S * 9/2016 Lai D12/129
 D769,158 S * 10/2016 Ruggiero D12/129
 2014/0312586 A1 * 10/2014 Cheng B62B 7/008
 280/47.35

* cited by examiner

Primary Examiner — Michael A Pratt

(74) Attorney, Agent, or Firm — Boyle Fredrickson, S.C.

(57) **CLAIM**

The ornamental design for a stroller frame with wheels, respectively as shown and described.

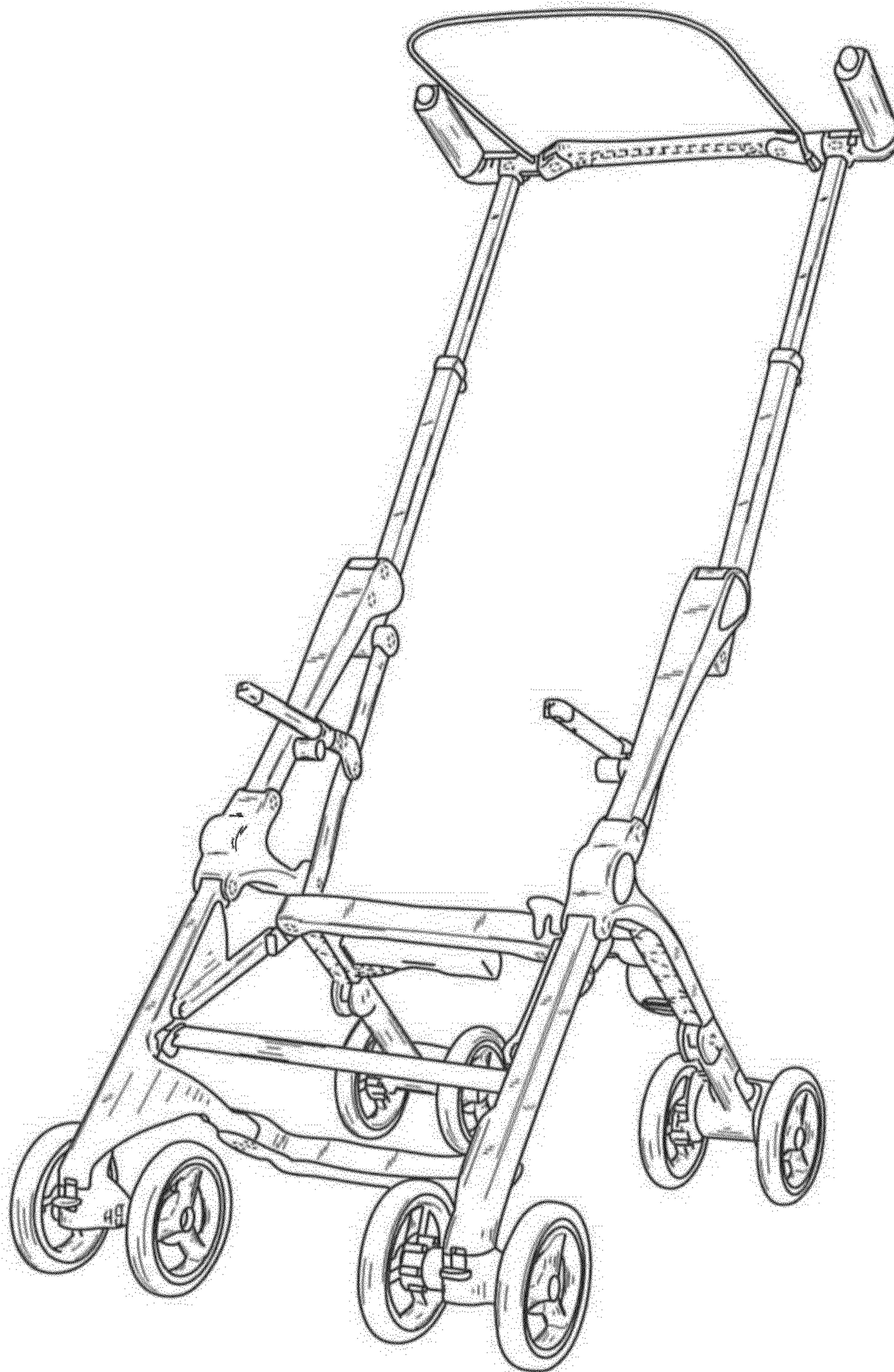
DESCRIPTION

2. Stroller frames
 2.1 : Perspective
 2.2 : Top
 2.3 : Bottom
 2.4 : Left
 2.5 : Right
 2.6 : Back
 2.7 : Front

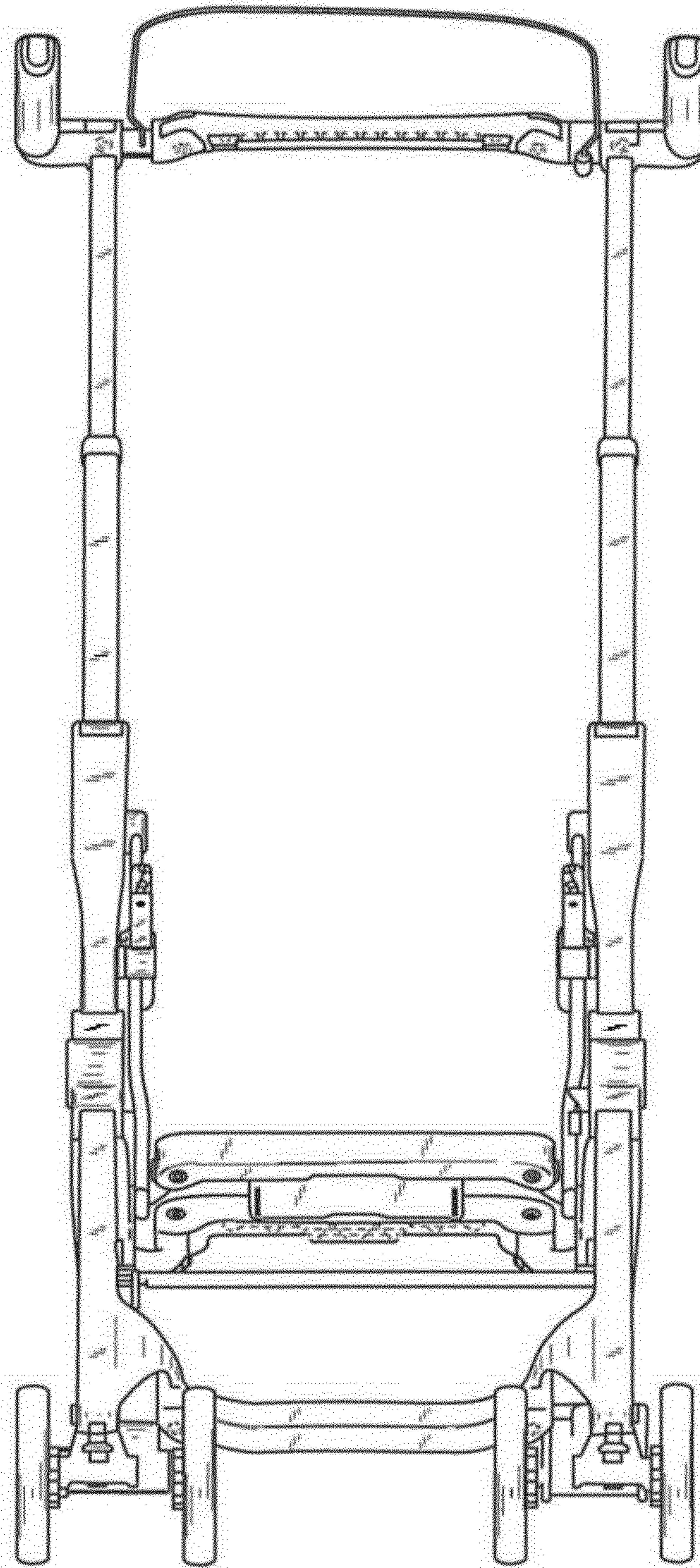
The broken lines in the drawings depict parts of the stroller frame with wheels that form no part of the claimed design.

1 Claim, 14 Drawing Sheets

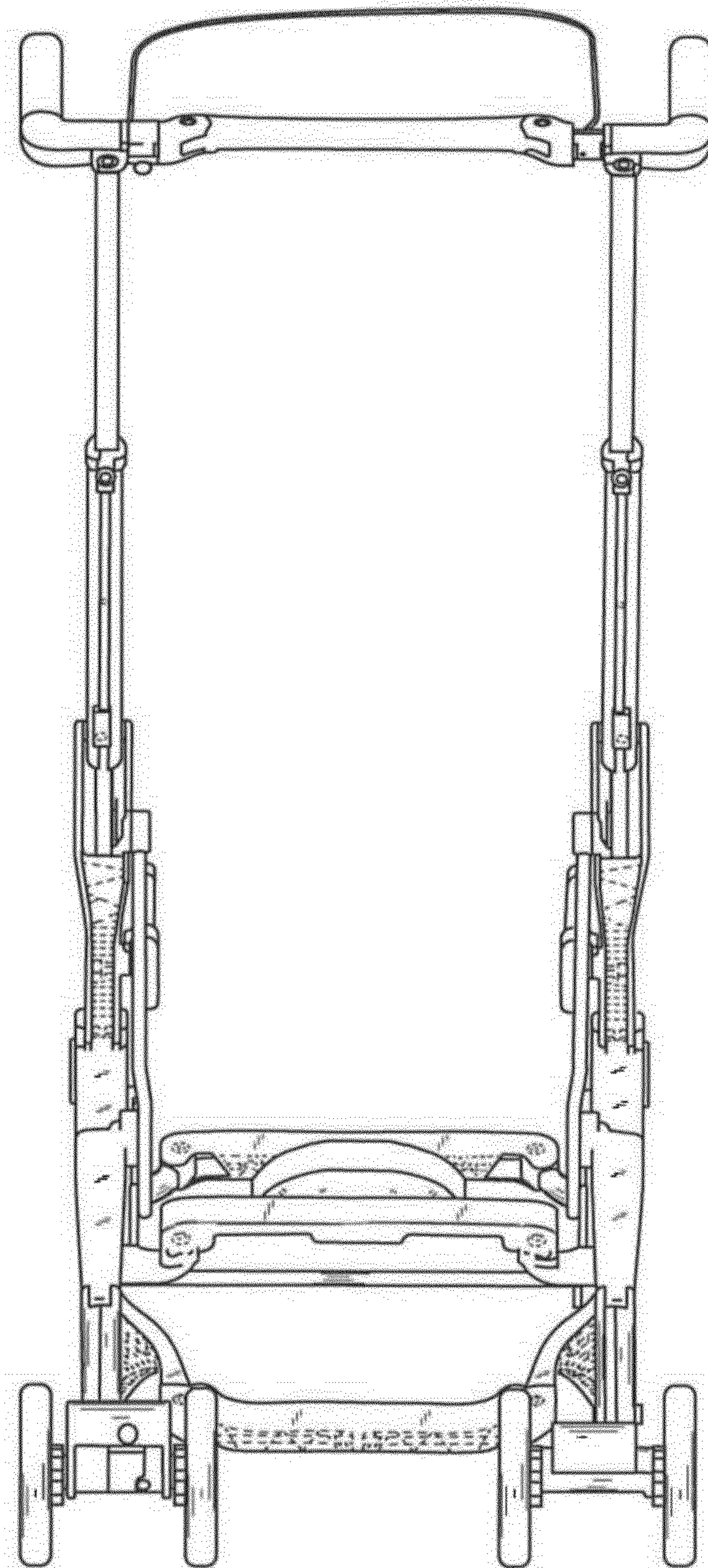




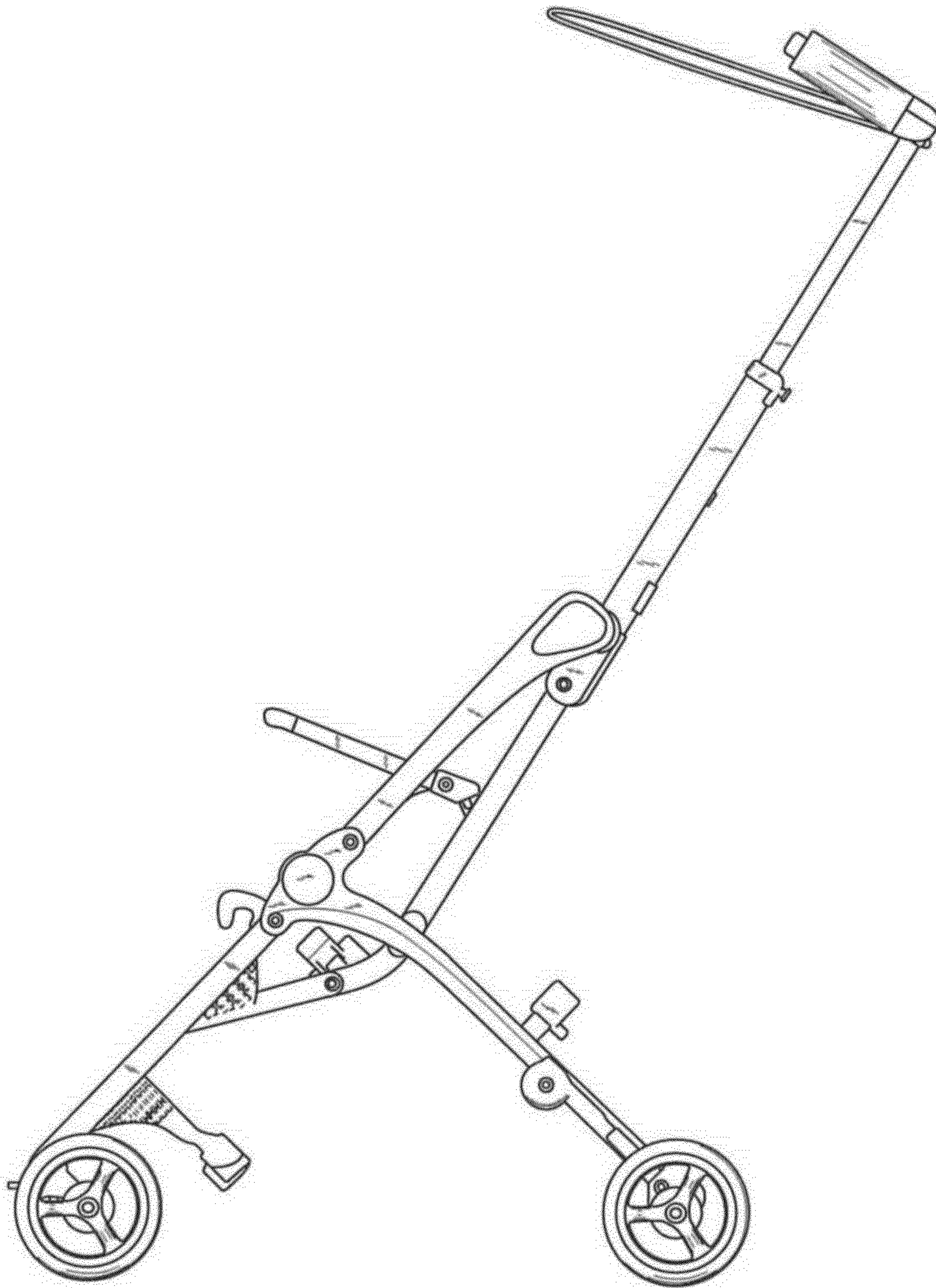
1.1



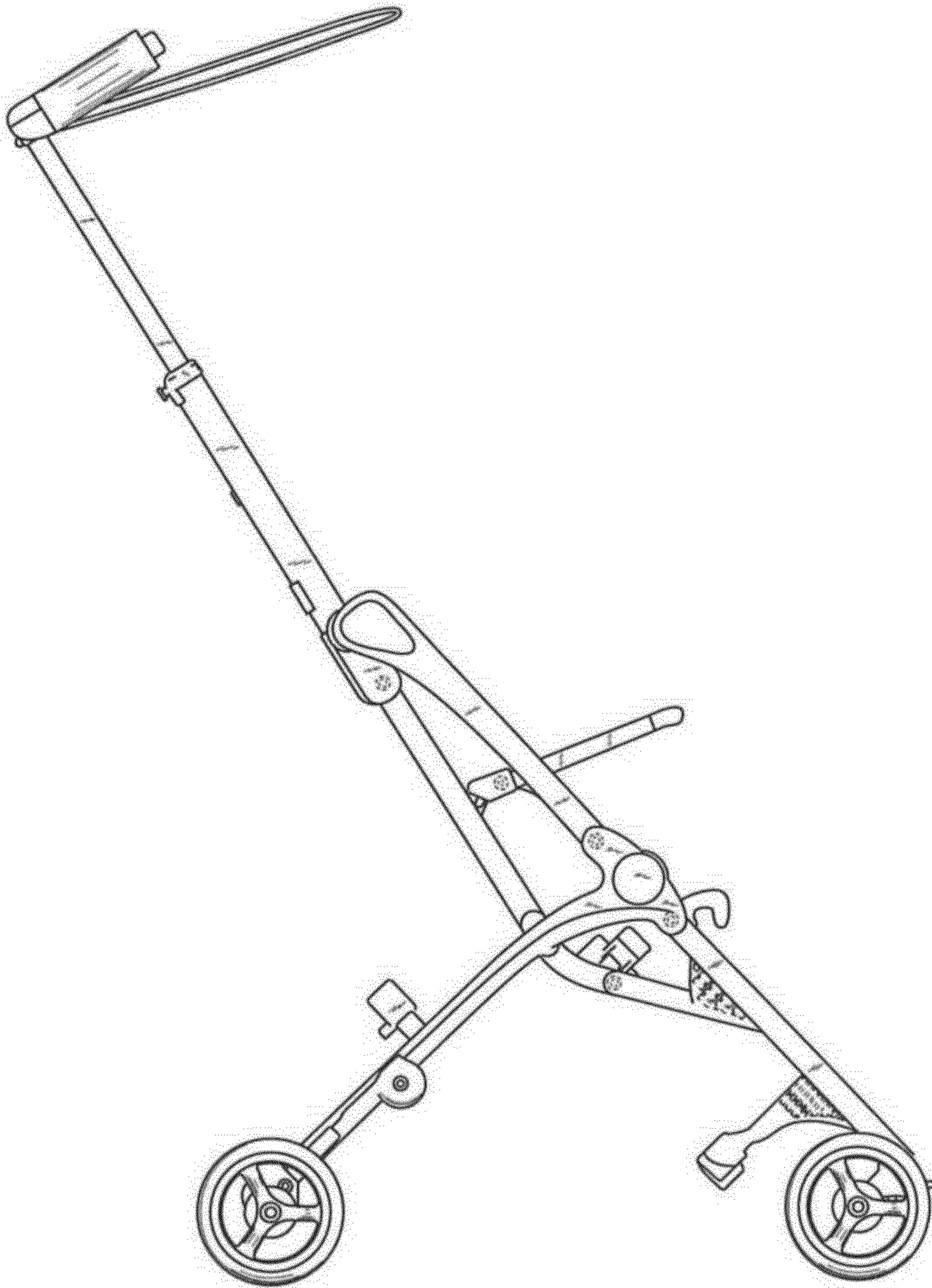
1.2



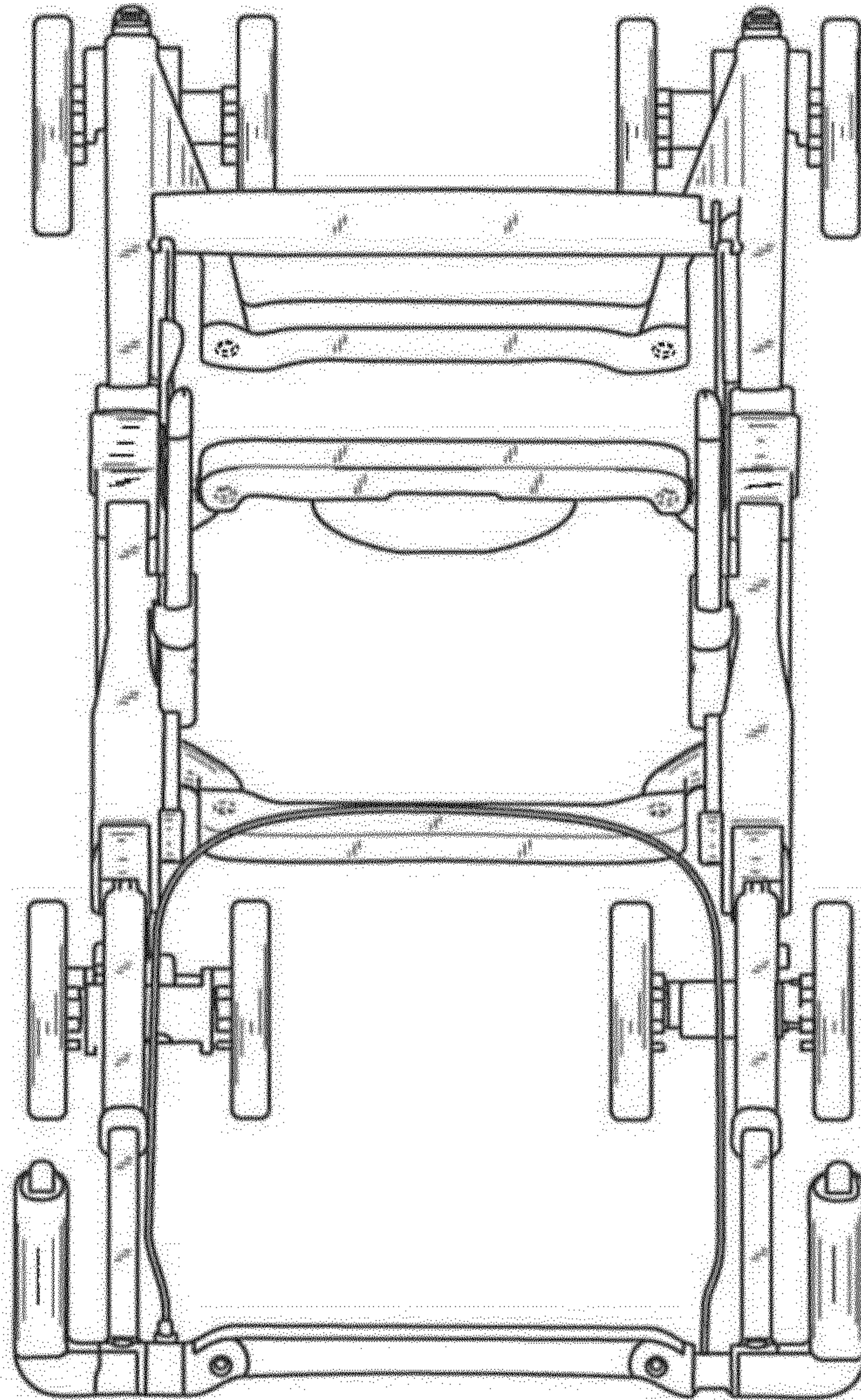
1.3



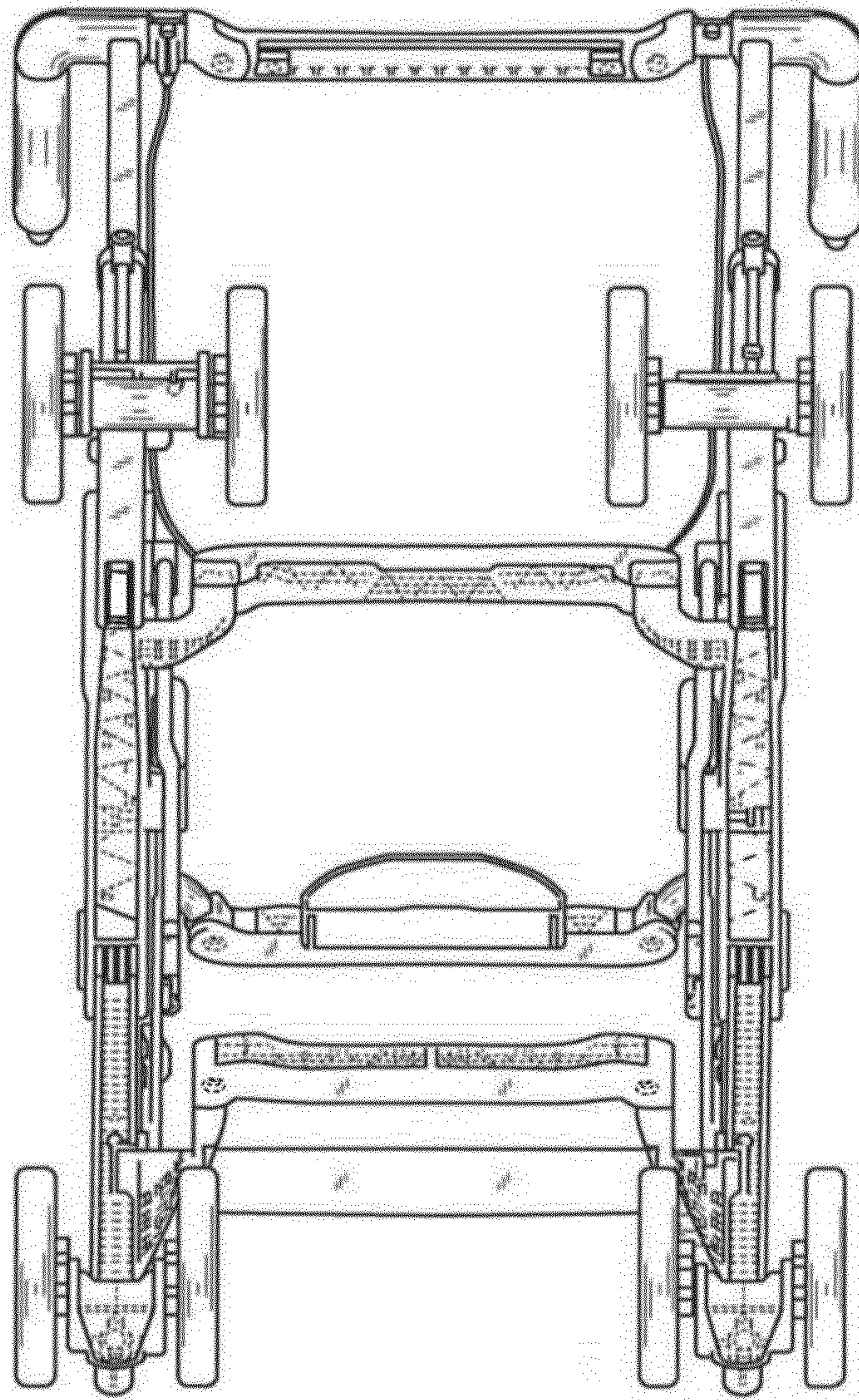
1.4



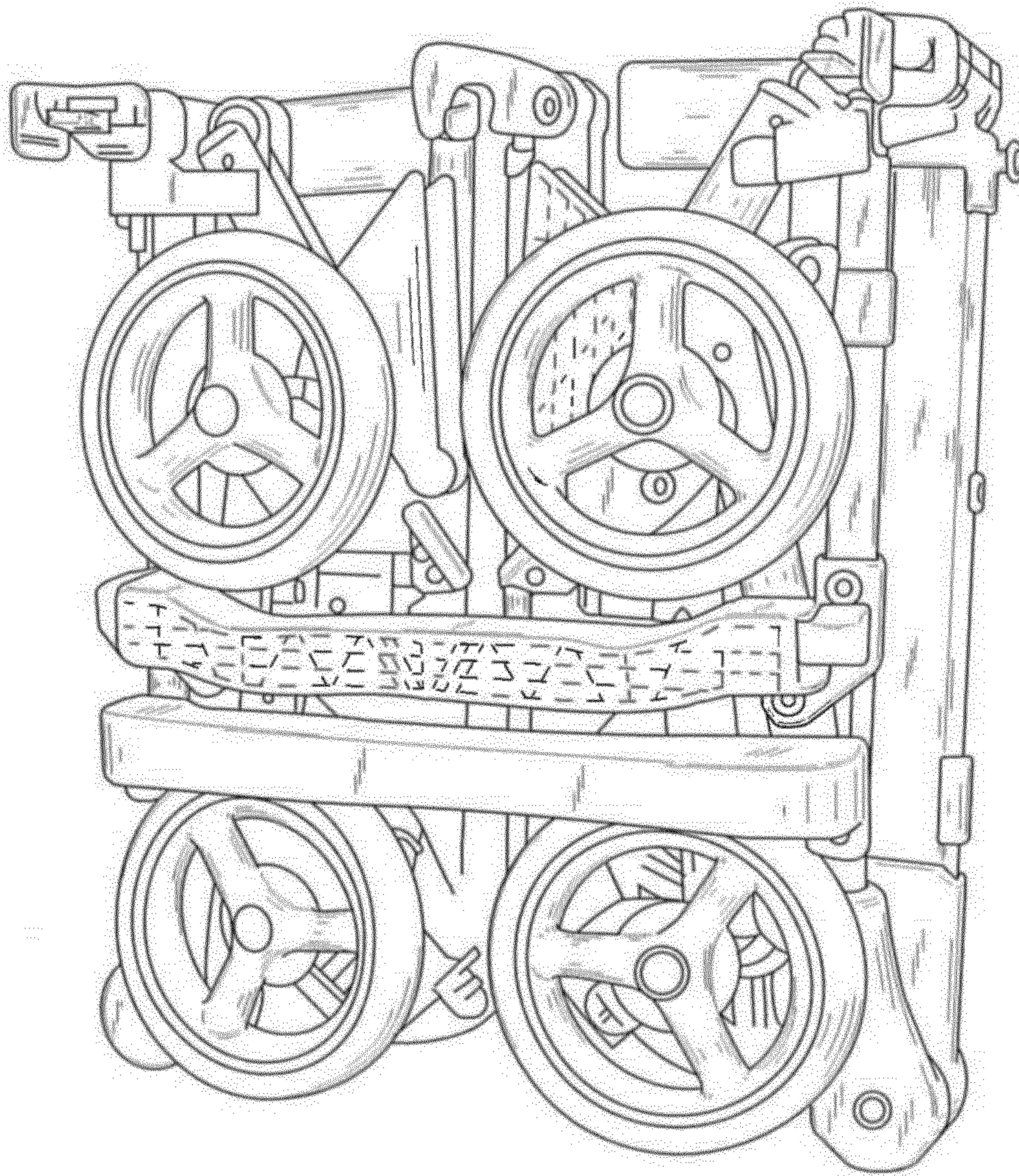
1.5



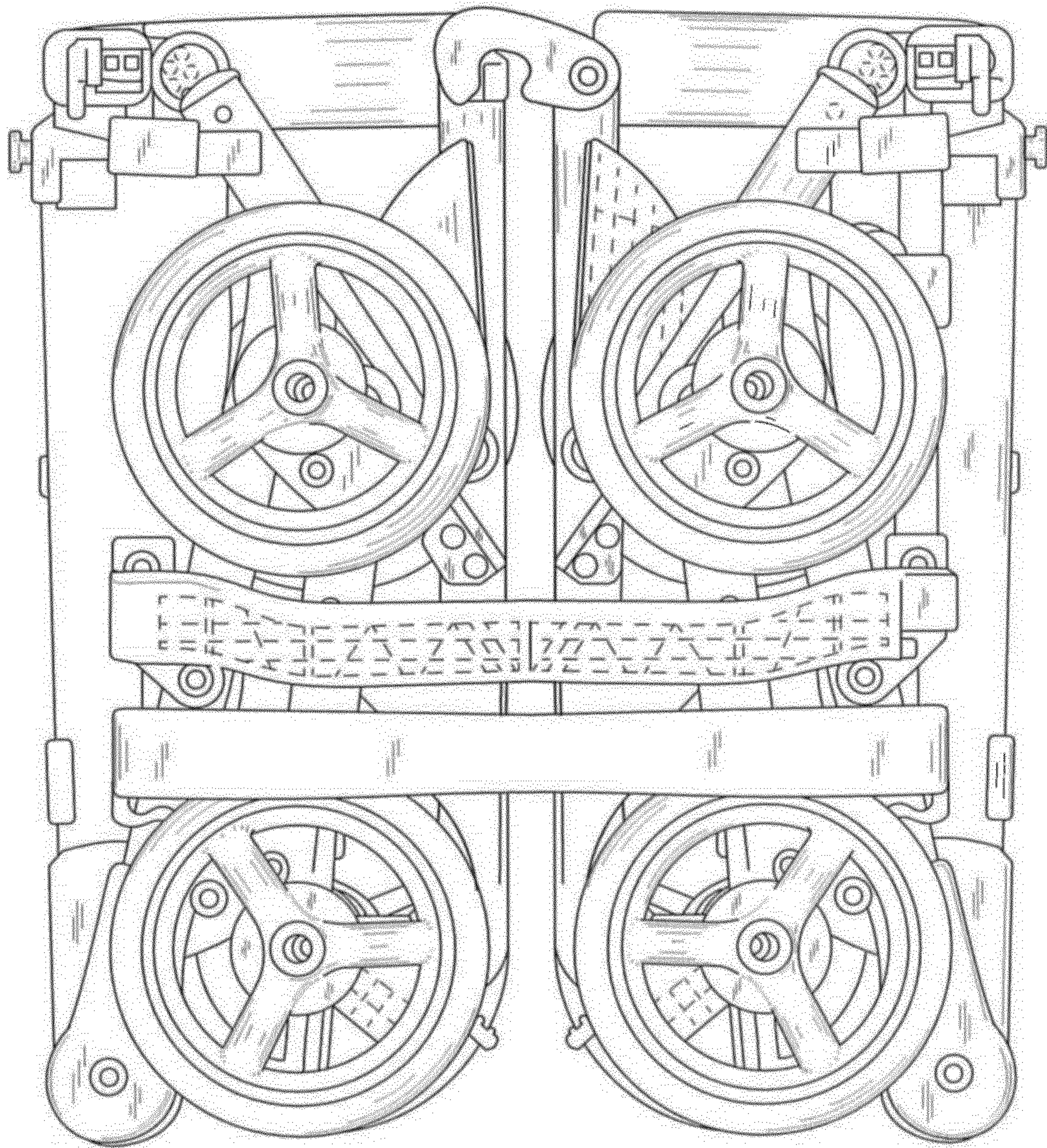
1.6



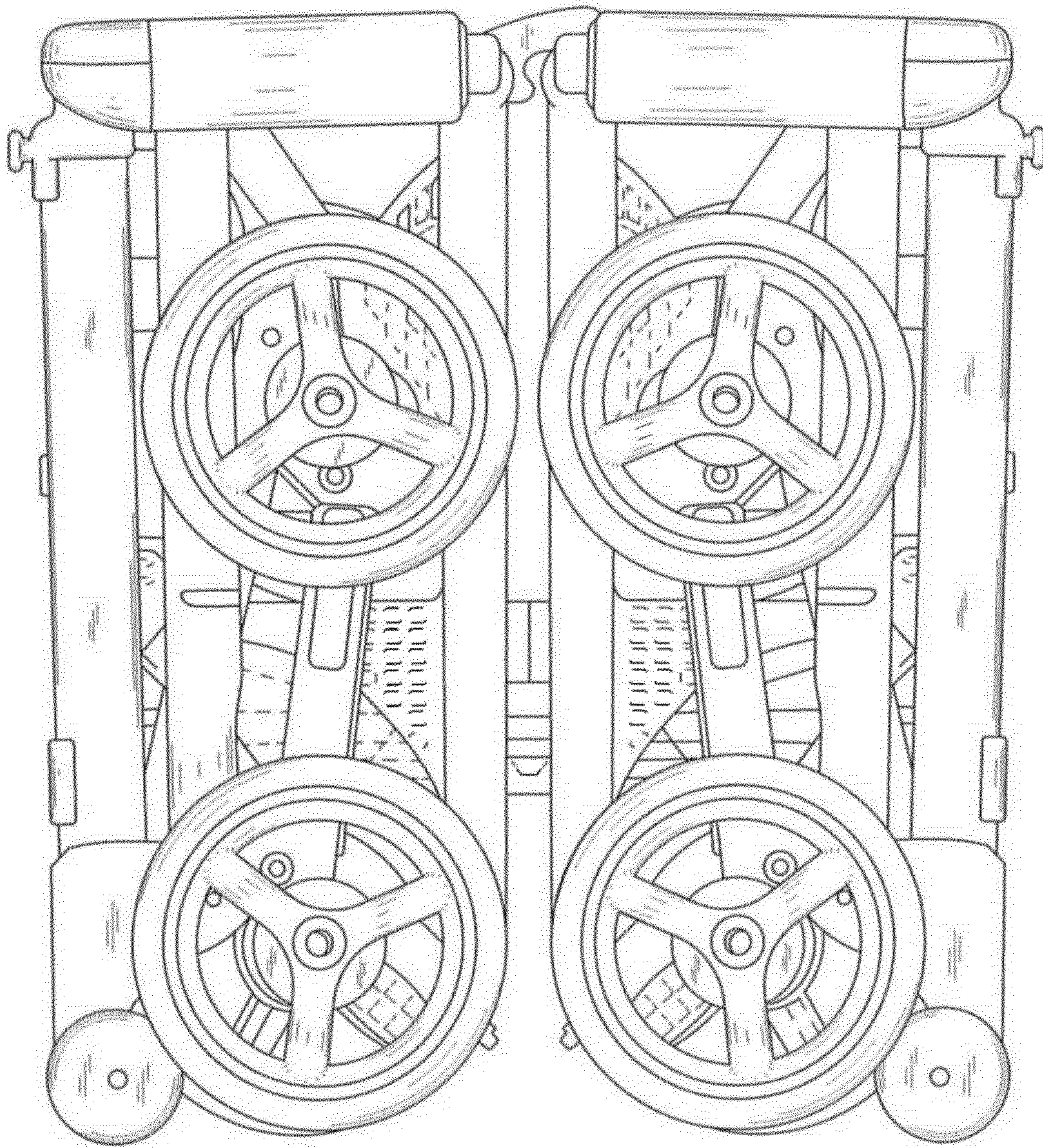
1.7



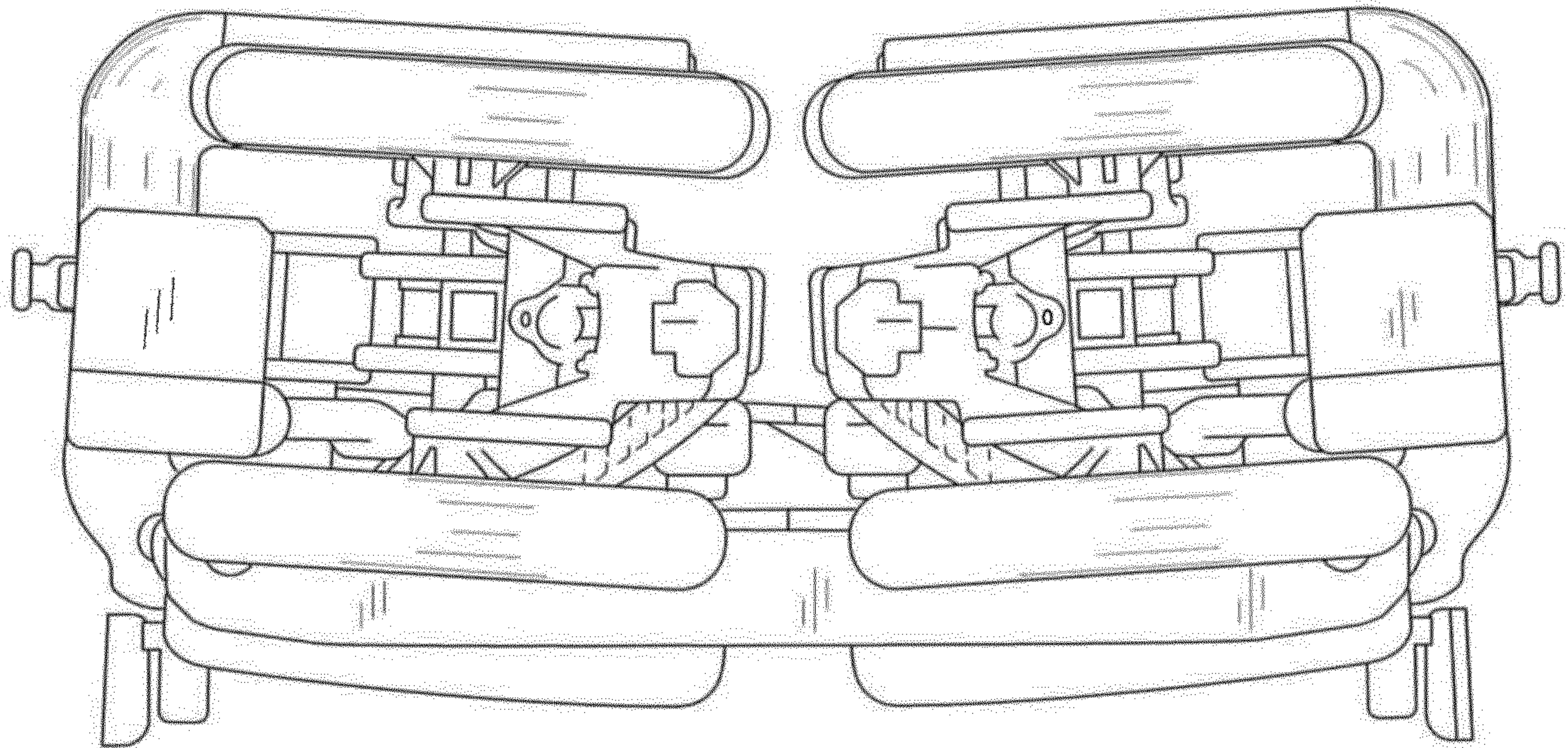
2.1



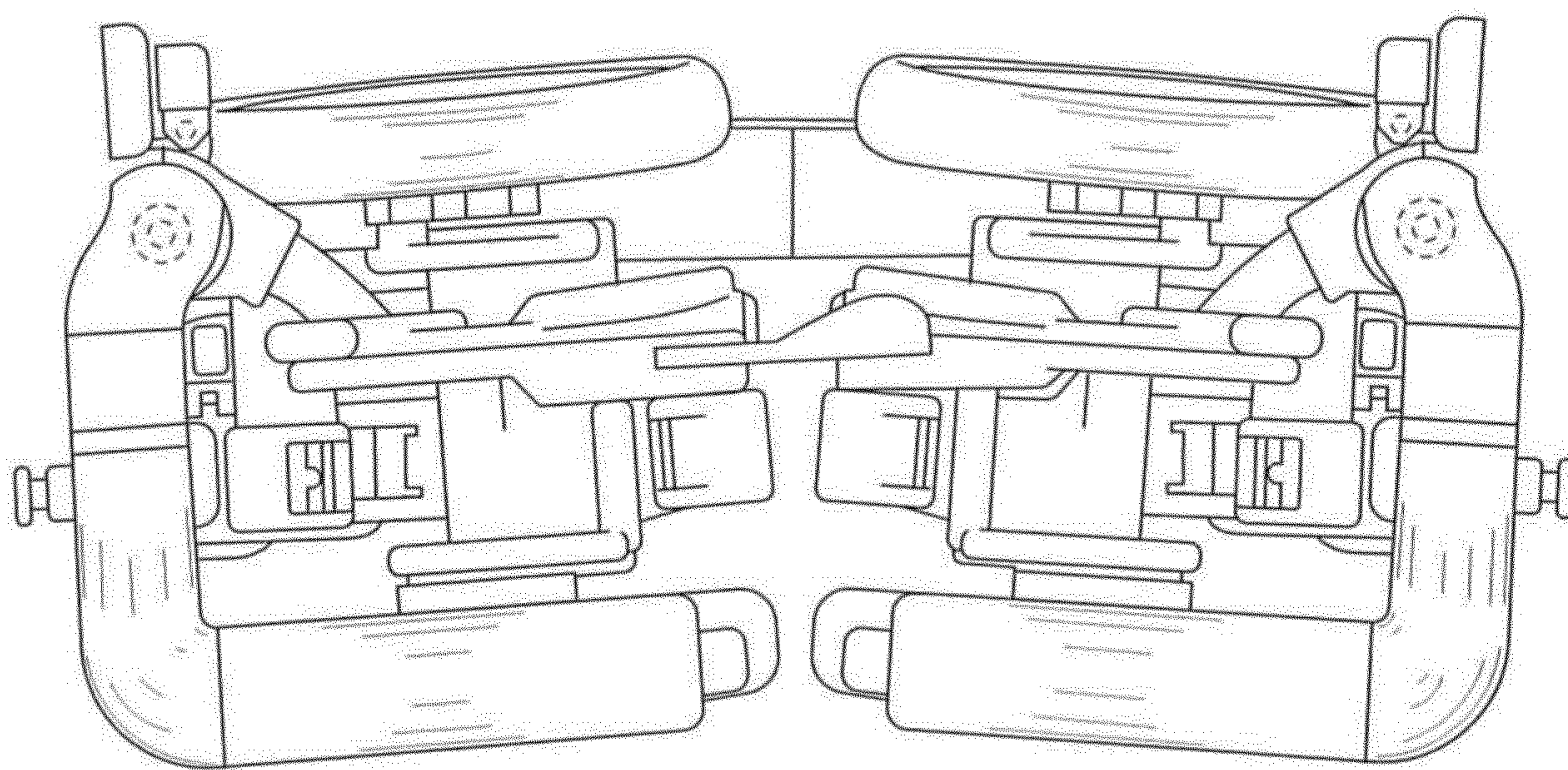
2.2



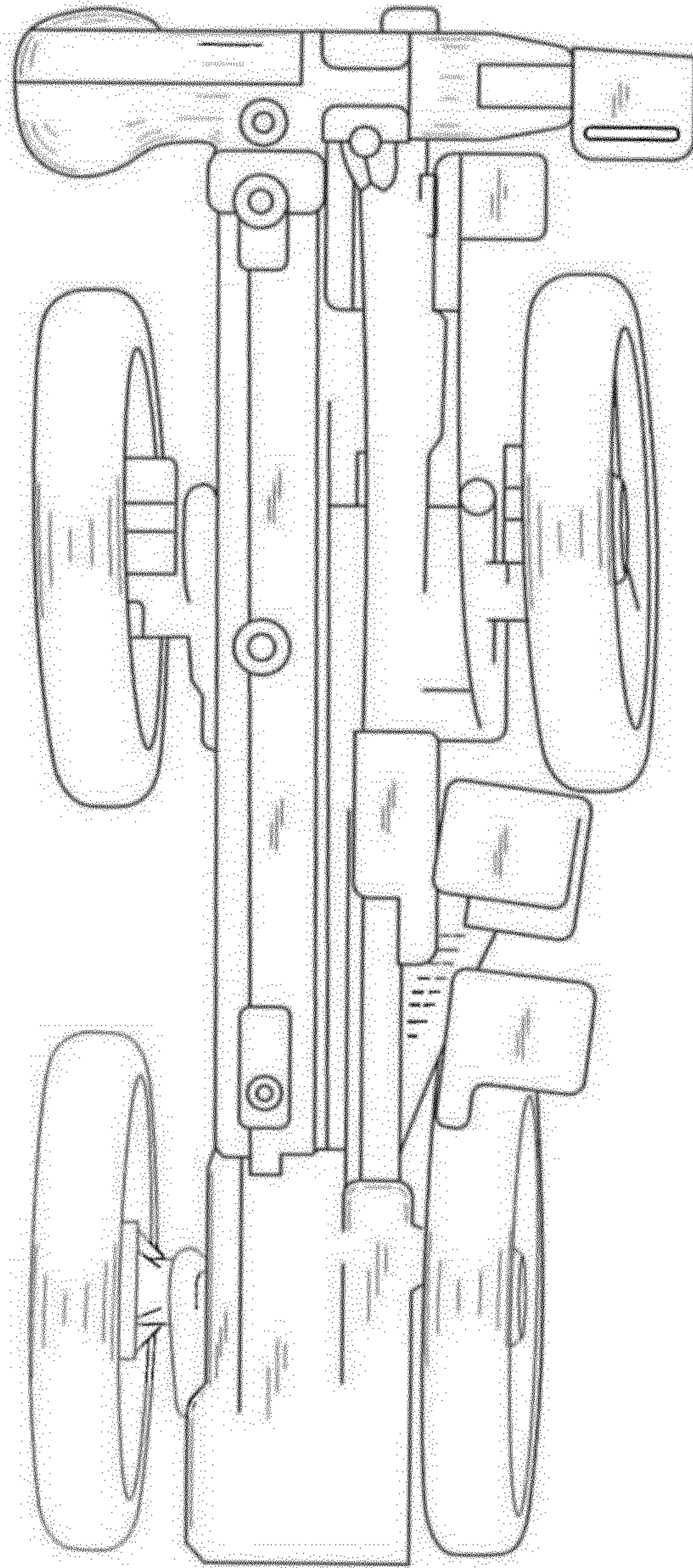
2.3



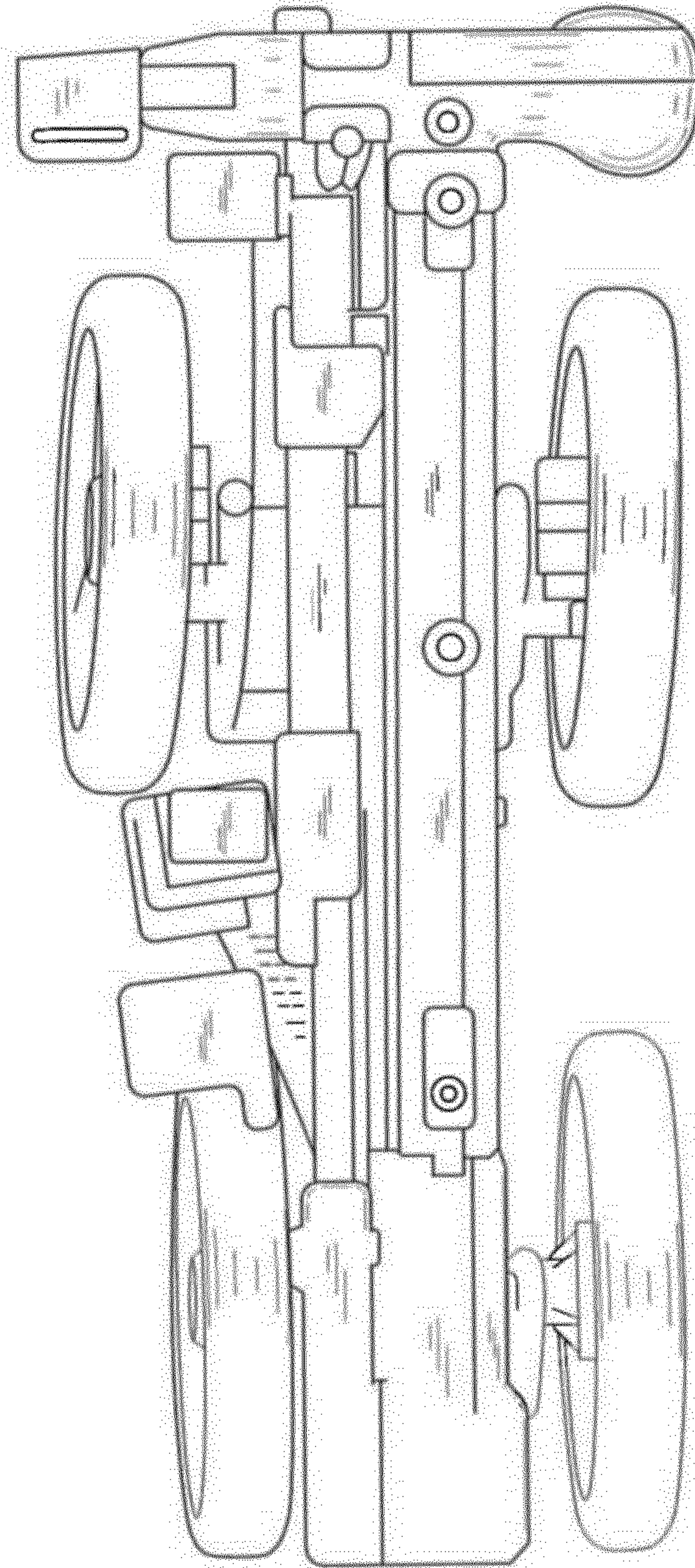
2.4



2.5



2.6



2.7