



US00D808305S

(12) **United States Design Patent**  
**Badstuebner et al.**

(10) **Patent No.:** **US D808,305 S**  
(45) **Date of Patent:** **\*\* Jan. 23, 2018**

(54) **VEHICLE, TOY, AND/OR REPLICAS THEREOF**

(71) Applicant: **Daimler AG**, Stuttgart (DE)

(72) Inventors: **Achim-Dietrich Badstuebner**, Munich (DE); **Robert Lesnik**, Leonberg (DE); **Doyoung Woo**, Boeblingen (DE)

(73) Assignee: **Daimler AG**, Stuttgart (DE)

(\*\*) Term: **15 Years**

(21) Appl. No.: **29/592,467**

(22) Filed: **Jan. 31, 2017**

(51) **LOC (11) Cl.** ..... **12-08**

(52) **U.S. Cl.**  
USPC ..... **D12/92**

(58) **Field of Classification Search**  
USPC ..... D12/86, 90-92, 88; D21/421, 433, 434; 296/181.1, 181.5  
CPC ..... B62D 35/00; B62D 25/00; B62D 25/06; B62D 33/00  
See application file for complete search history.

(56) **References Cited**

**U.S. PATENT DOCUMENTS**

- D580,826 S \* 11/2008 Rhoades ..... D12/92
- D634,677 S 3/2011 Futschik et al.
- D634,678 S 3/2011 Futschik et al.
- D635,059 S 3/2011 Futschik et al.
- D671,032 S 11/2012 Frei et al.
- D671,041 S 11/2012 Frei et al.

- D701,798 S \* 4/2014 Futschik ..... D12/164
- D703,584 S \* 4/2014 Futschik ..... D12/92
- D747,671 S \* 1/2016 Frei ..... D12/164
- D757,611 S \* 5/2016 Lesnik ..... D12/92
- D769,156 S \* 10/2016 Lesnik ..... D12/92
- D769,774 S \* 10/2016 Lesnik ..... D12/92
- D790,406 S \* 6/2017 Futschik ..... D12/92
- D798,770 S \* 10/2017 Lesnik ..... D12/92
- D799,377 S \* 10/2017 Lesnik ..... D12/92
- D799,378 S \* 10/2017 Lee ..... D12/92

\* cited by examiner

*Primary Examiner* — Melody N Brown

(74) *Attorney, Agent, or Firm* — Crowell & Moring LLP

(57) **CLAIM**

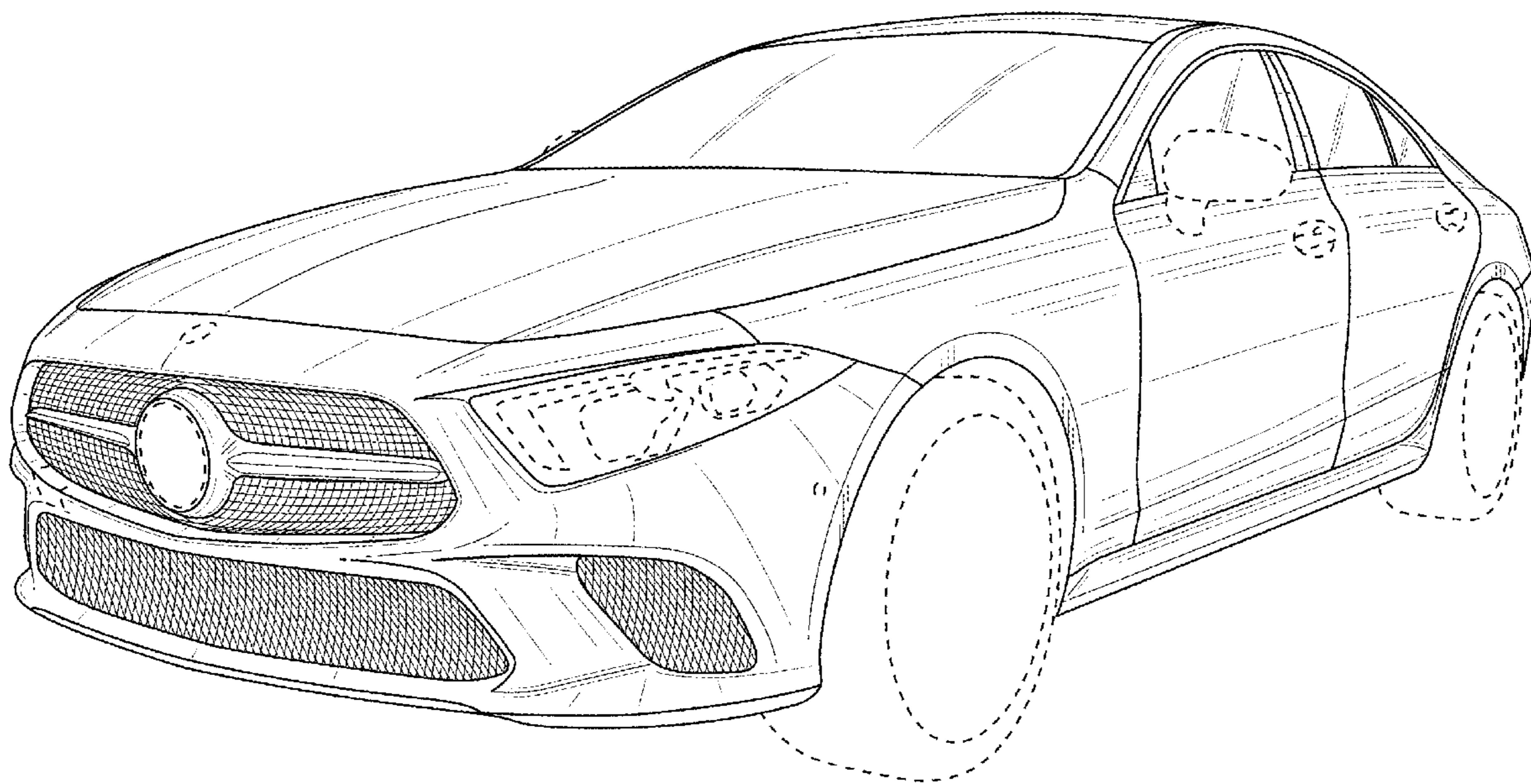
The ornamental design for a vehicle, toy, and/or replicas thereof, as shown and described.

**DESCRIPTION**

FIG. 1 is a left, front perspective view of a vehicle, toy, and/or replicas thereof according to the design;  
FIG. 2 is a left, rear perspective view thereof;  
FIG. 3 is a left side view thereof;  
FIG. 4 is a right side view thereof;  
FIG. 5 is a front view thereof;  
FIG. 6 is a rear view thereof; and,  
FIG. 7 is a top view thereof.

The broken lines in the drawings illustrate environmental subject matter only and form no part of the claimed design.

**1 Claim, 7 Drawing Sheets**



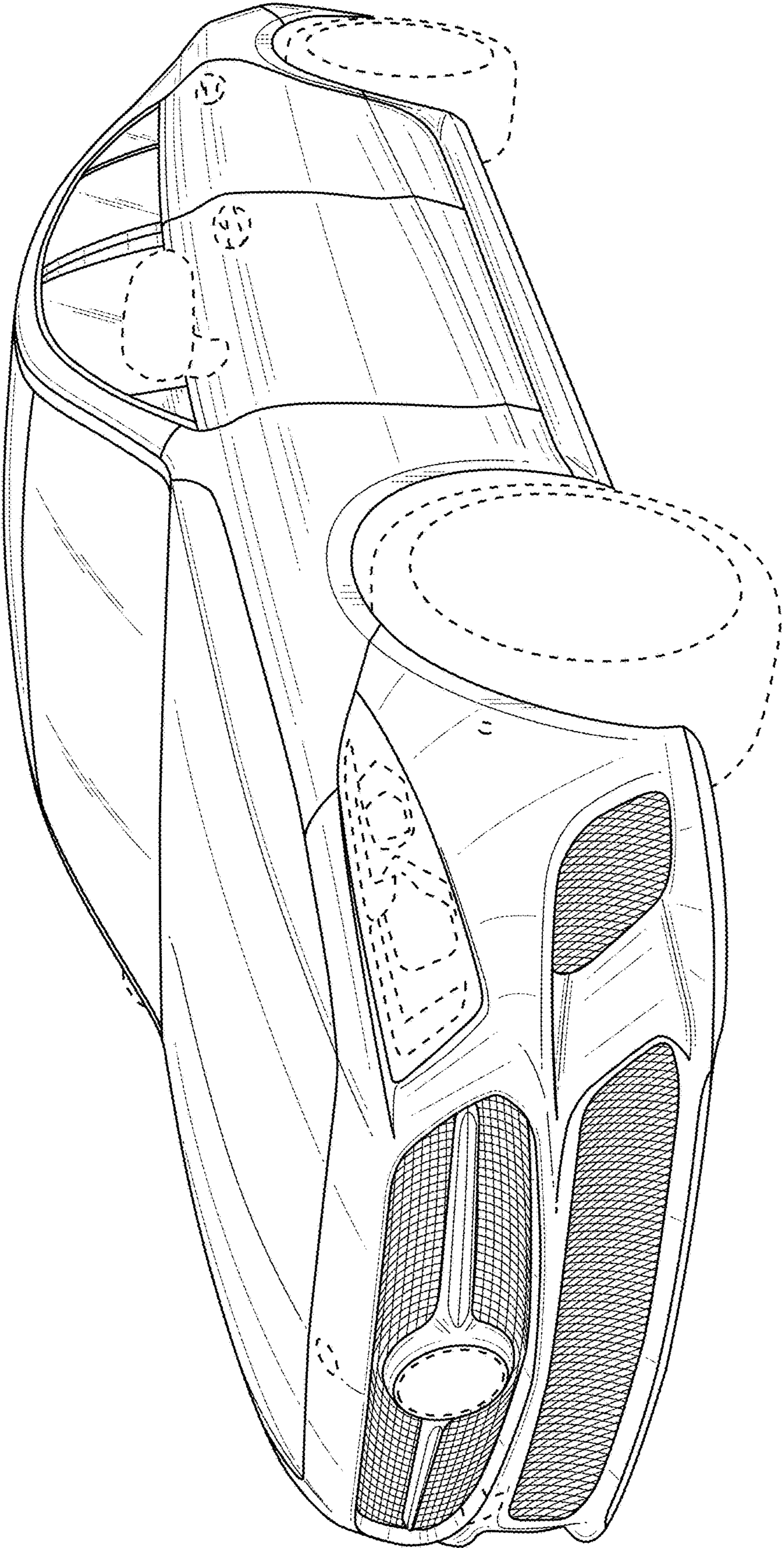
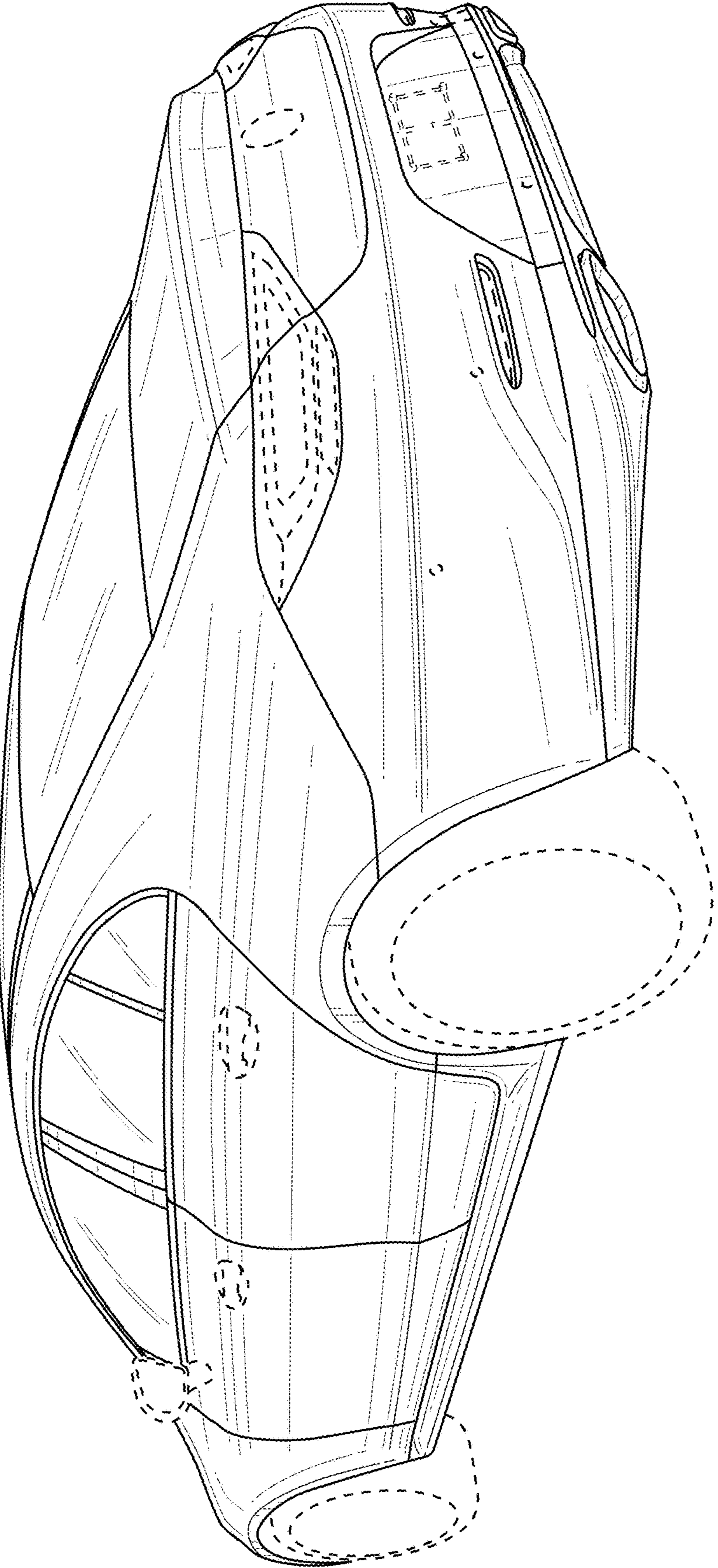
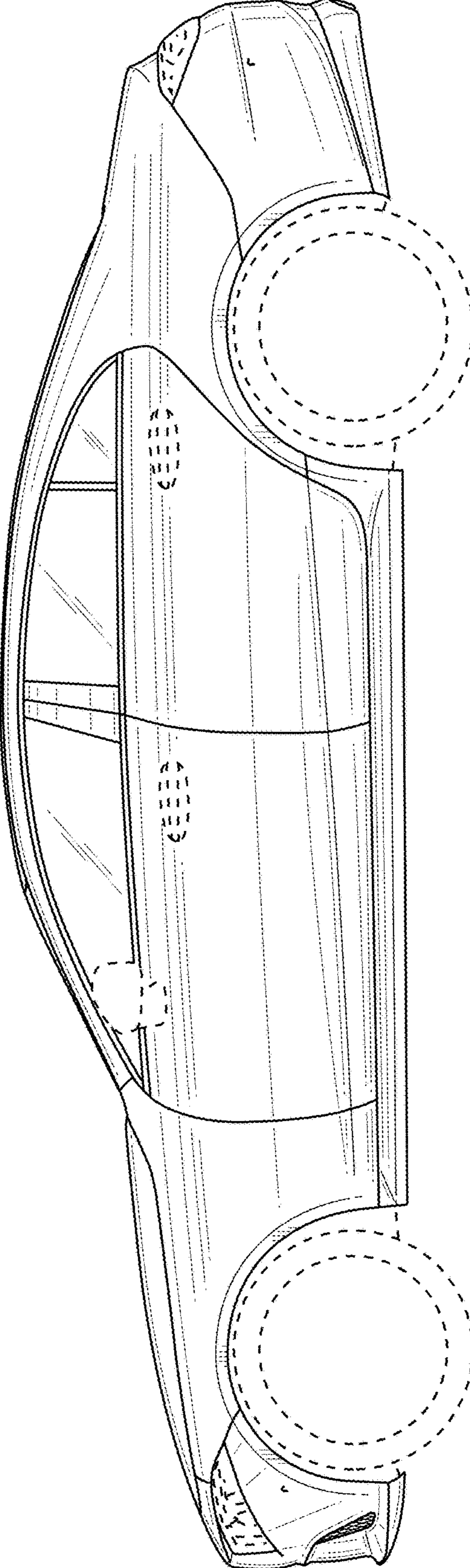


FIG. 1

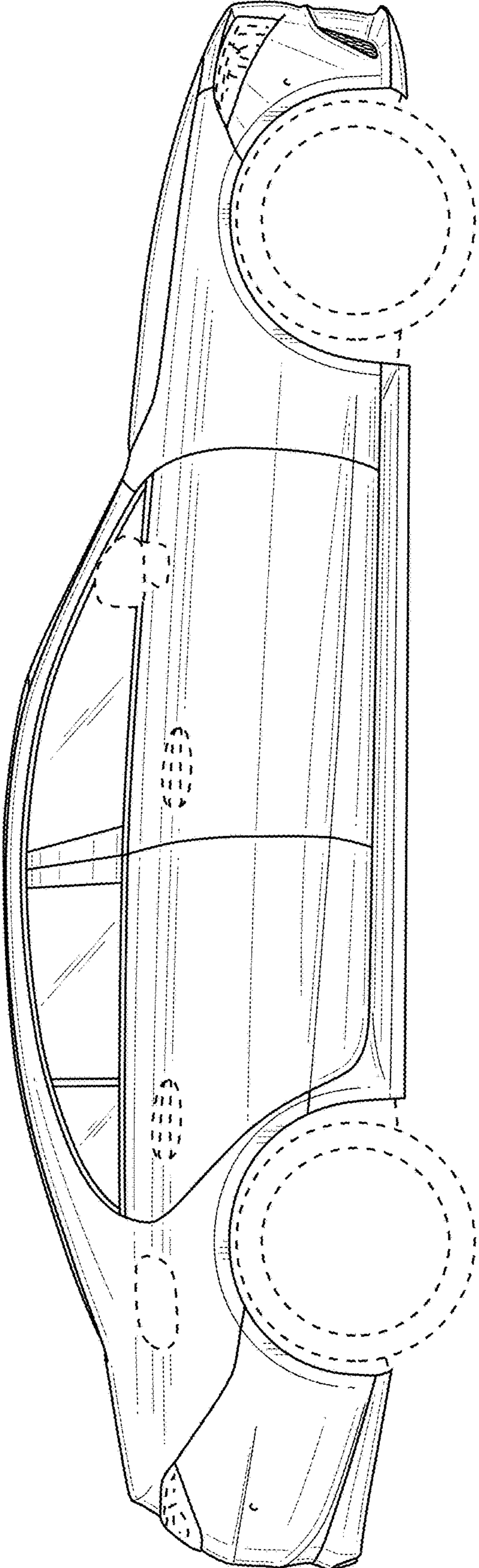




**FIG. 2**

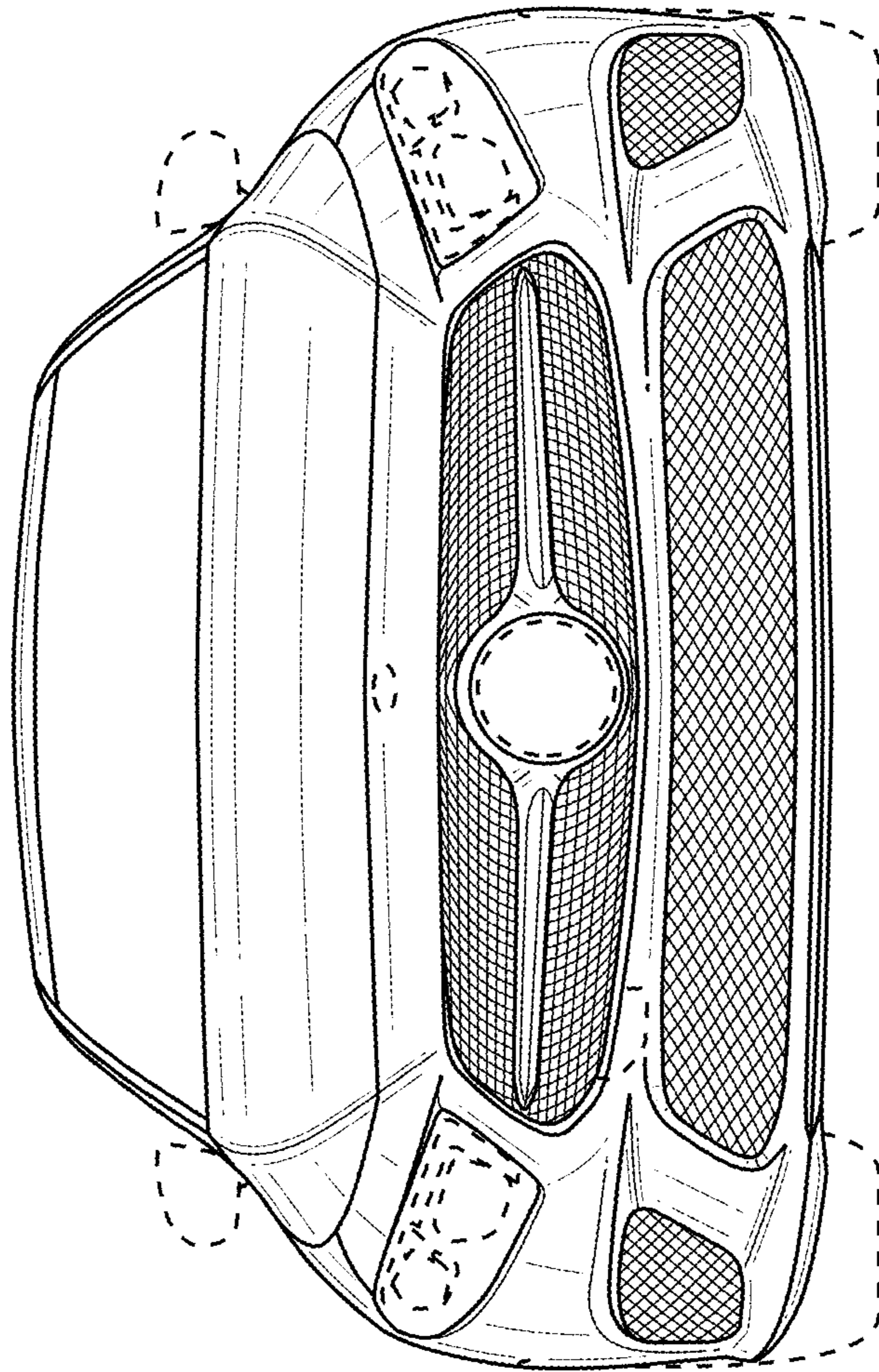


**FIG. 3**

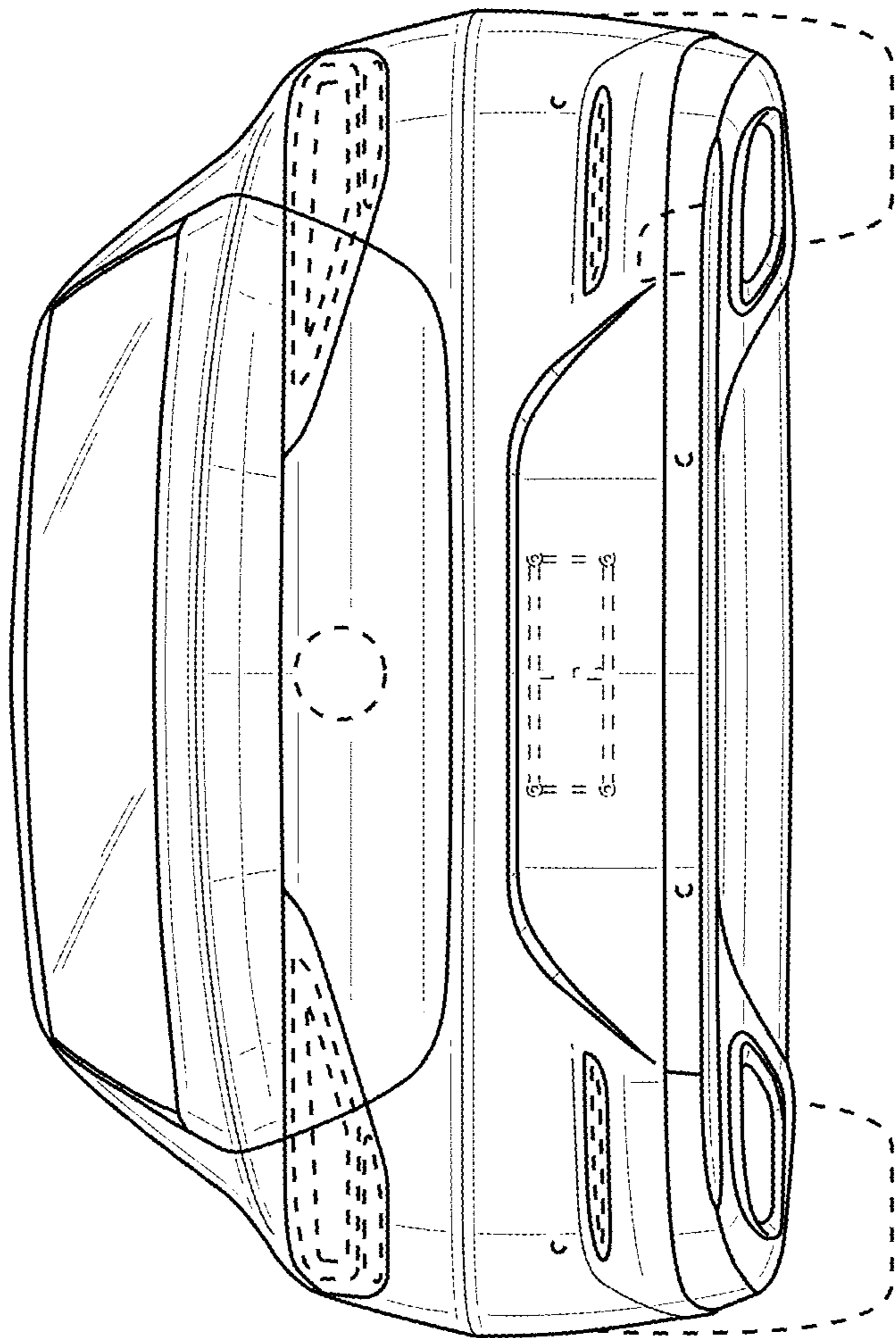


**FIG. 4**

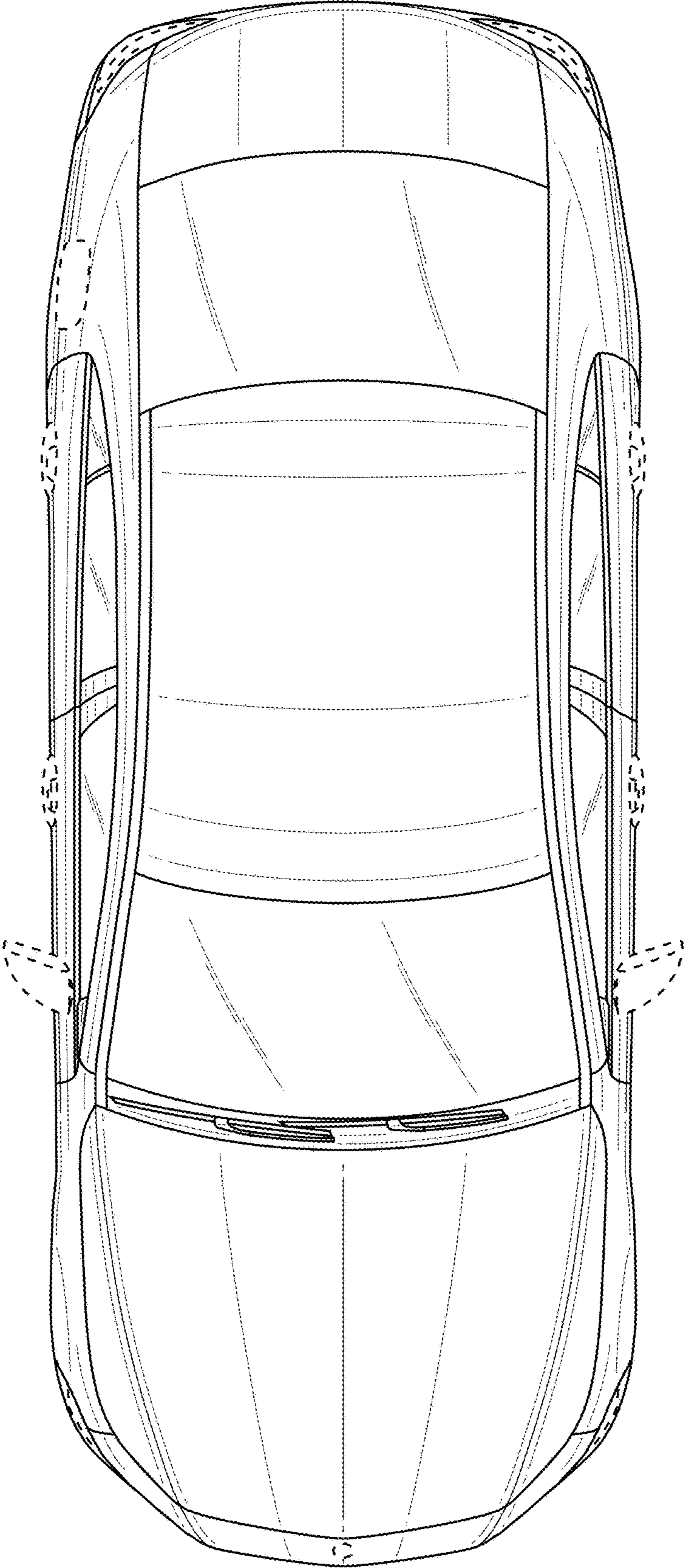




**FIG. 5**



**FIG. 6**



**FIG. 7**