



US00D808303S

(12) **United States Design Patent**
Chung et al.

(10) **Patent No.:** **US D808,303 S**

(45) **Date of Patent:** **** Jan. 23, 2018**

- (54) **VEHICLE AND/OR REPLICA**
- (71) Applicant: **HONDA MOTOR CO., LTD.**,
Minato-ku, Tokyo (JP)
- (72) Inventors: **Jae Chung**, Irvine, CA (US); **Jarad Hall**, Rancho Palos Verdes, CA (US);
Matthew Stevens, Lake Forest, CA (US)
- (73) Assignee: **HONDA MOTOR CO., LTD.**, Tokyo (JP)
- (**) Term: **15 Years**
- (21) Appl. No.: **29/577,643**
- (22) Filed: **Sep. 14, 2016**
- (51) **LOC (11) Cl.** **12-08**
- (52) **U.S. Cl.**
USPC **D12/92**
- (58) **Field of Classification Search**
USPC D12/86, 90-92, 88; D21/421, 433, 434;
296/181.1, 181.5
CPC B62D 35/00; B62D 25/00; B62D 25/06;
B62D 33/00
See application file for complete search history.

- D711,785 S * 8/2014 Tabata D12/92
- D713,764 S * 9/2014 Ferlazzo D12/92
- D719,875 S * 12/2014 Jang D12/91
- D759,540 S * 6/2016 Davidson D12/91
- D761,693 S * 7/2016 Lian D12/91
- D763,136 S * 8/2016 Minami D12/92
- D763,736 S * 8/2016 Varga D12/92
- D766,778 S * 9/2016 Lian D12/91

* cited by examiner

Primary Examiner — Melody N Brown

(74) *Attorney, Agent, or Firm* — Arent Fox LLP

(56) **References Cited**
U.S. PATENT DOCUMENTS

- D686,949 S * 7/2013 Minami D12/91
- D705,700 S * 5/2014 Chen D12/91

(57) **CLAIM**

The ornamental design for vehicle and/or replica, as shown and described.

DESCRIPTION

FIG. 1 is a left, rear perspective view of a vehicle and/or replica showing our new design;
FIG. 2 is a right, rear perspective view thereof;
FIG. 3 is a right, front perspective view thereof;
FIG. 4 is a left, front perspective view thereof;
FIG. 5 is a rear elevational view thereof;
FIG. 6 is a front elevational view thereof;
FIG. 7 is a left side elevational view thereof;
FIG. 8 is a right side elevational view thereof;
FIG. 9 is a top plan view thereof; and,
FIG. 10 is a bottom plan view thereof.

1 Claim, 10 Drawing Sheets



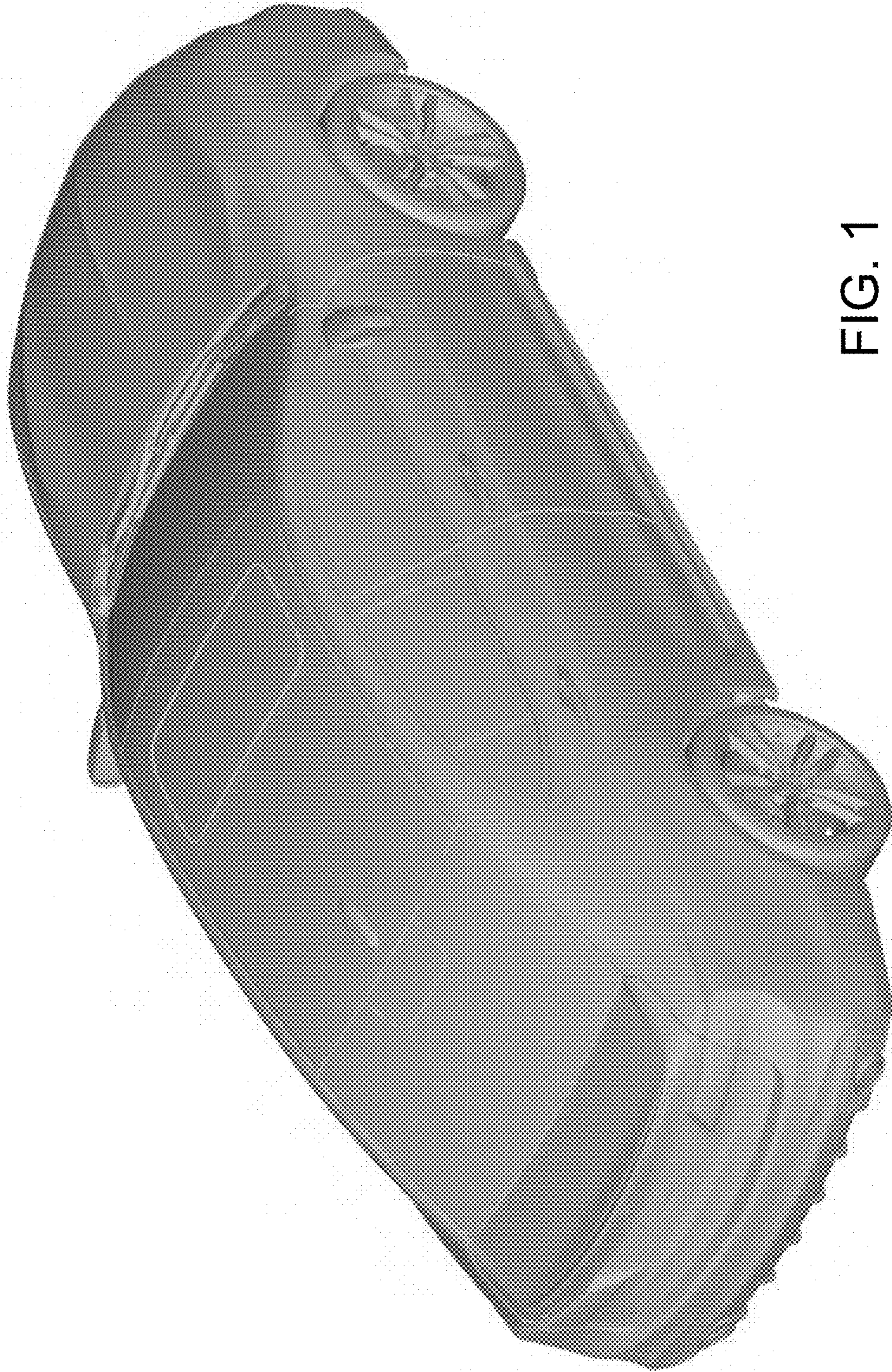


FIG. 1



FIG. 2

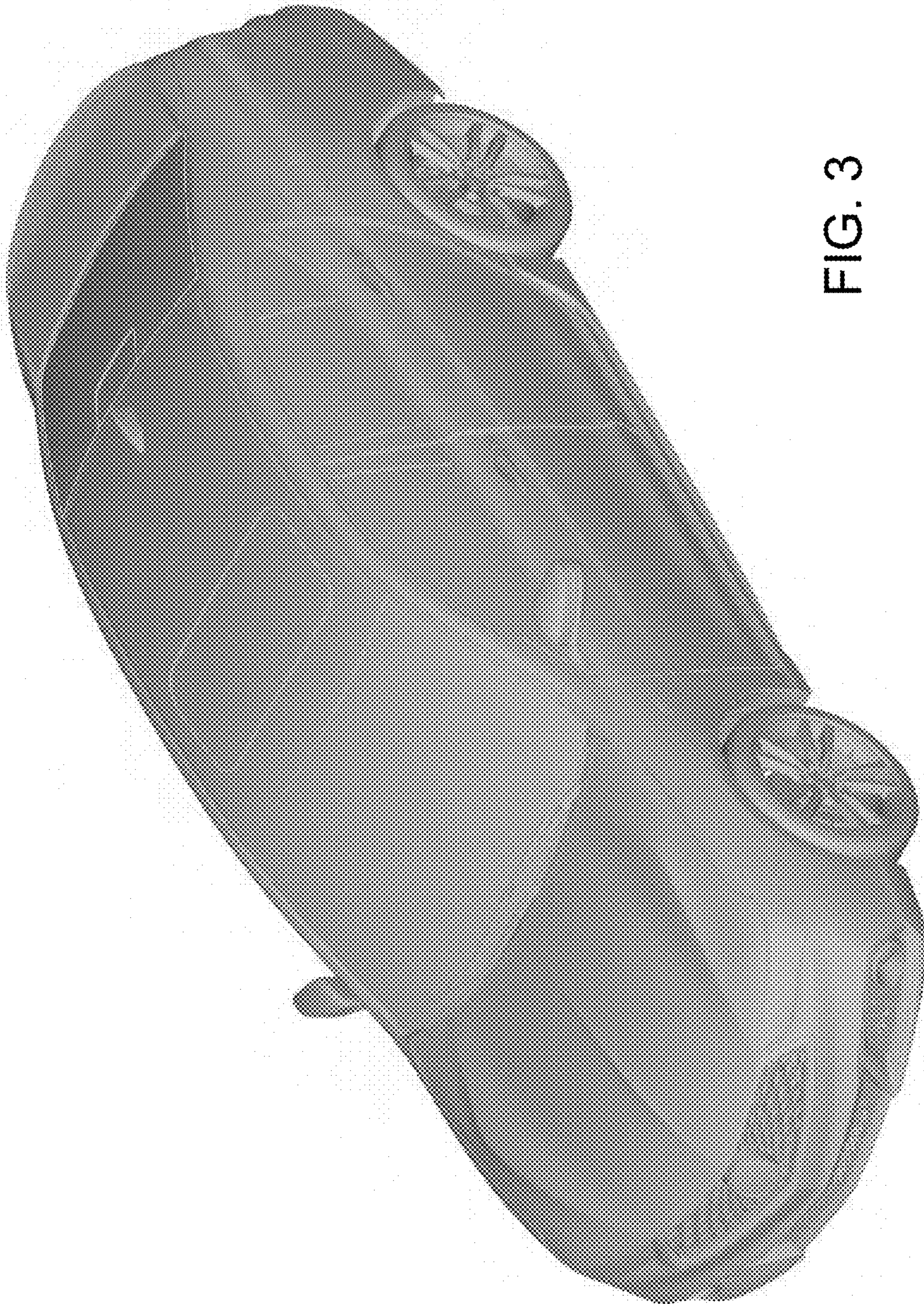


FIG. 3



FIG. 4

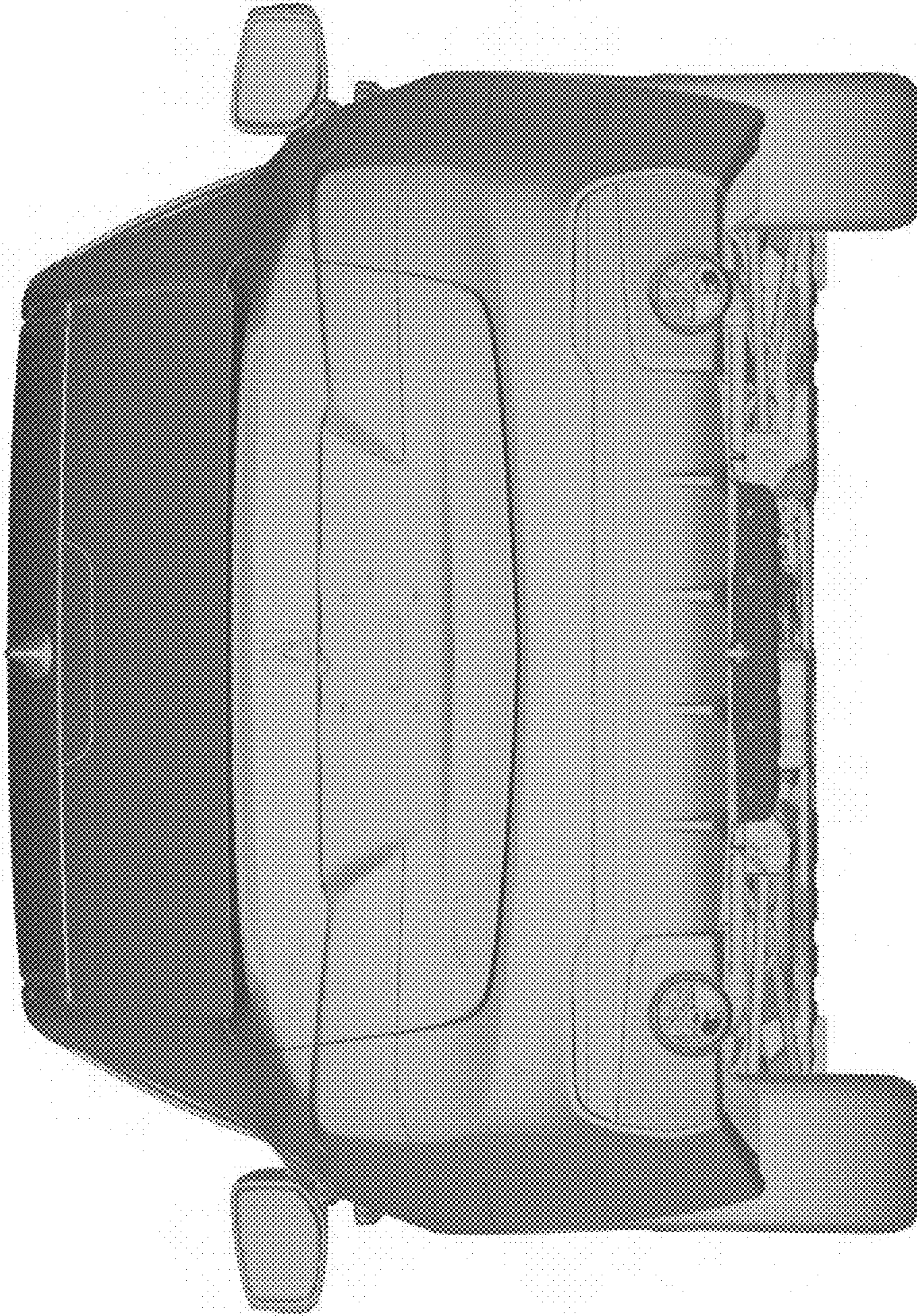


FIG. 5



FIG. 6

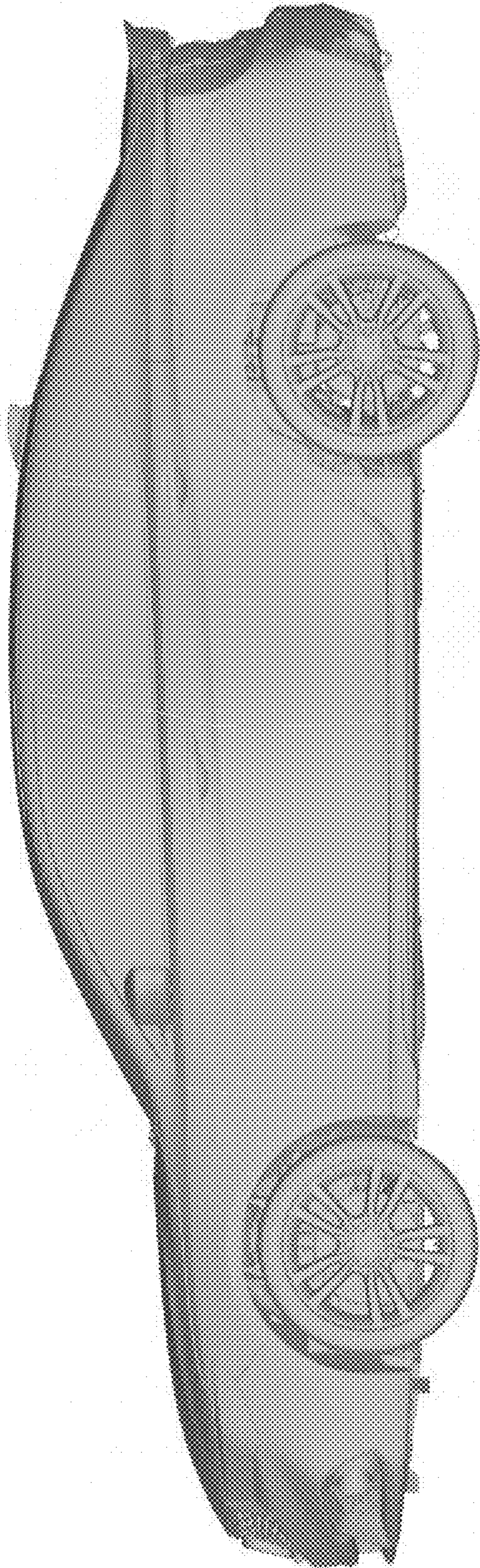


FIG. 7

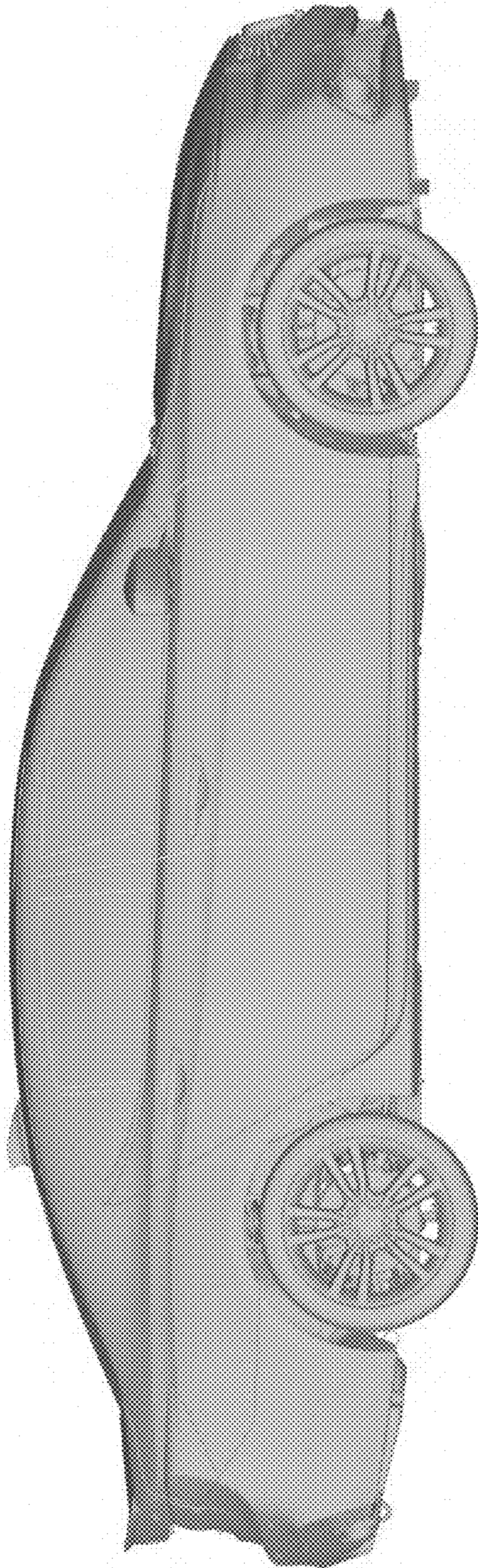


FIG. 8

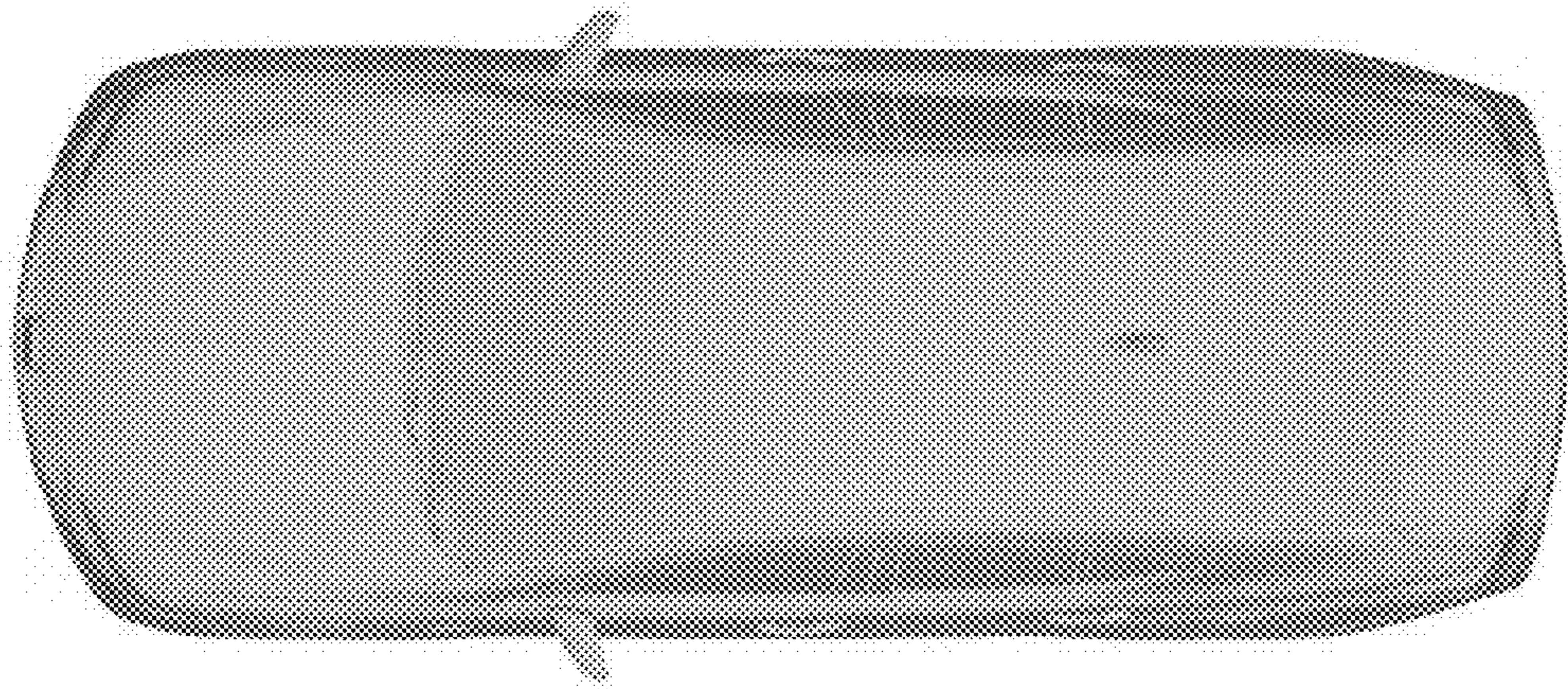


FIG. 9

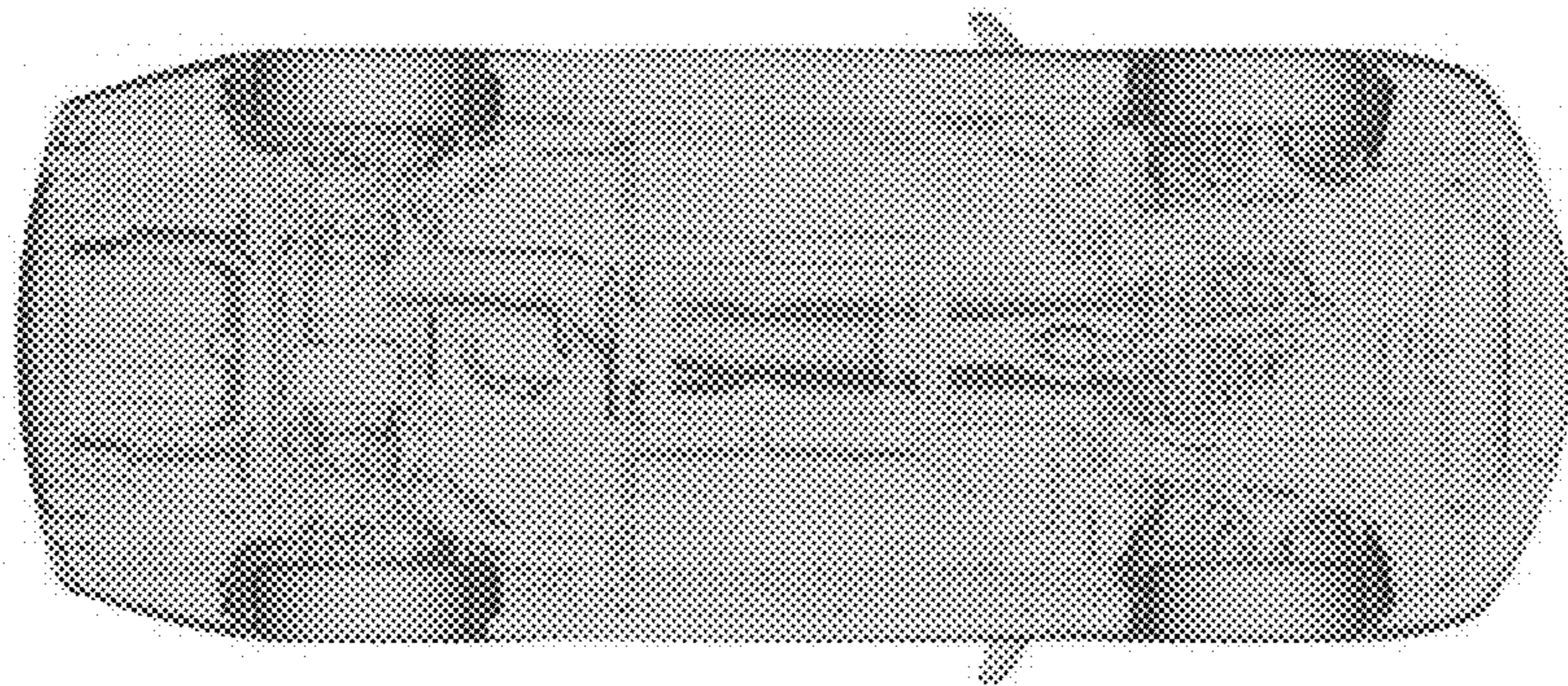


FIG. 10