



US00D808302S

(12) **United States Design Patent**  
**Oh et al.**

(10) **Patent No.:** **US D808,302 S**  
(45) **Date of Patent:** **\*\* Jan. 23, 2018**

(54) **VEHICLE EXTERIOR**

(71) Applicant: **Faraday & Future Inc.**, Gardena, CA  
(US)

(72) Inventors: **Brian Sung Oh**, Granada Hill, CA  
(US); **Richard S. Kim**, Los Angeles,  
CA (US)

(73) Assignee: **FARADAY & FUTURE INC.**,  
Gardena, CA (US)

(\*\*) Term: **15 Years**

(21) Appl. No.: **29/572,063**

(22) Filed: **Jul. 25, 2016**

**Related U.S. Application Data**

(63) Continuation of application No. 29/559,783, filed on  
Mar. 31, 2016.

(51) **LOC (11) Cl.** ..... **12-08**

(52) **U.S. Cl.**  
USPC ..... **D12/92**

(58) **Field of Classification Search**  
USPC ..... D12/86, 90-92, 88; D21/421, 433, 434;  
296/181.1, 181.5  
CPC ..... B62D 35/00; B62D 25/00; B62D 25/06;  
B62D 33/00  
See application file for complete search history.

(56) **References Cited**

**U.S. PATENT DOCUMENTS**

D664,071 S \* 7/2012 Tasaki ..... D12/92  
D740,178 S \* 10/2015 Bischoff ..... D12/92

D748,534 S \* 2/2016 Bischoff ..... D12/92  
D758,251 S \* 6/2016 Jelec ..... D12/92  
D774,948 S \* 12/2016 Abbes ..... D12/92  
D781,185 S \* 3/2017 Ham ..... D12/92

\* cited by examiner

*Primary Examiner* — Melody N Brown

(74) *Attorney, Agent, or Firm* — Finnegan, Henderson,  
Farabow, Garrett & Dunner

(57) **CLAIM**

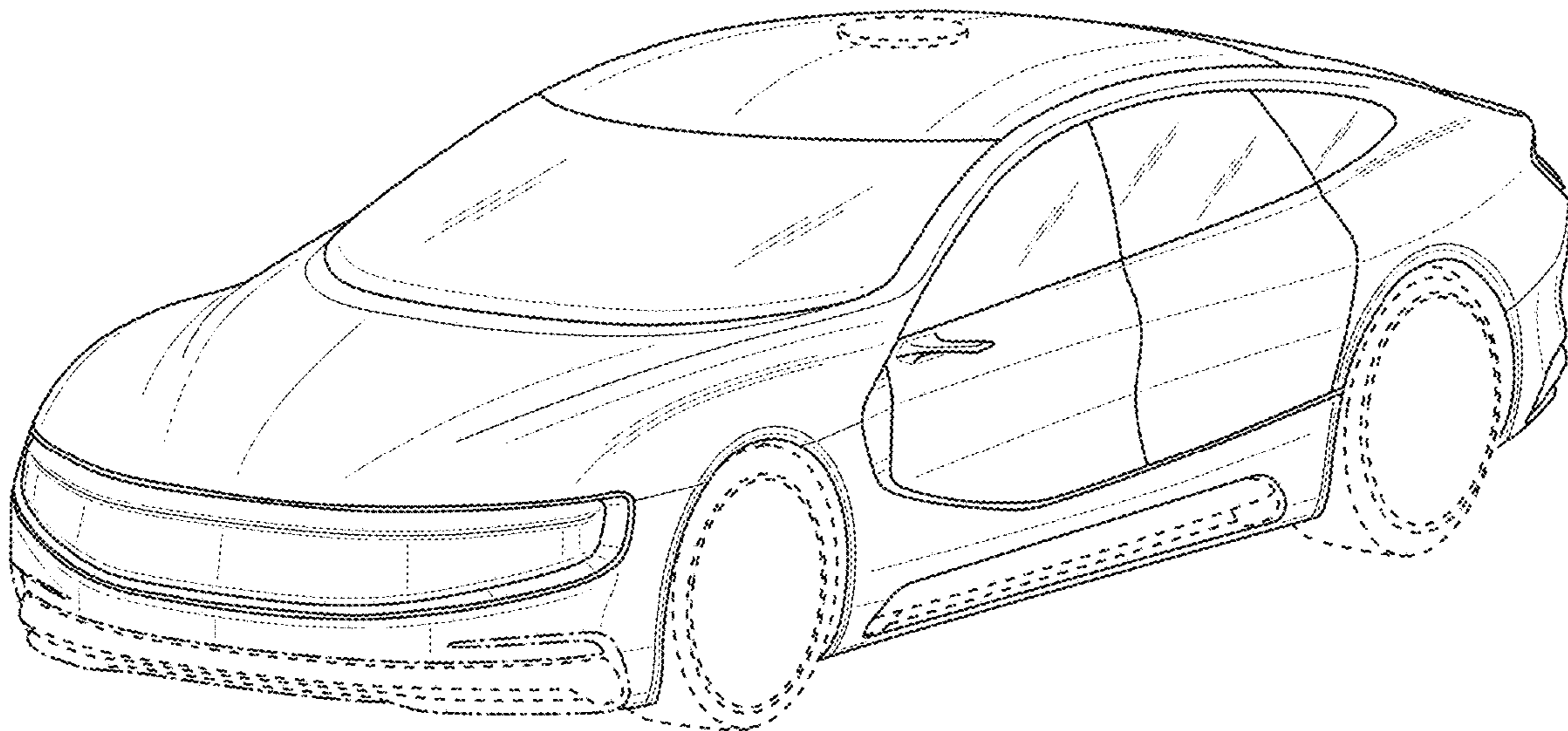
The ornamental design for a vehicle exterior showing our  
new design.

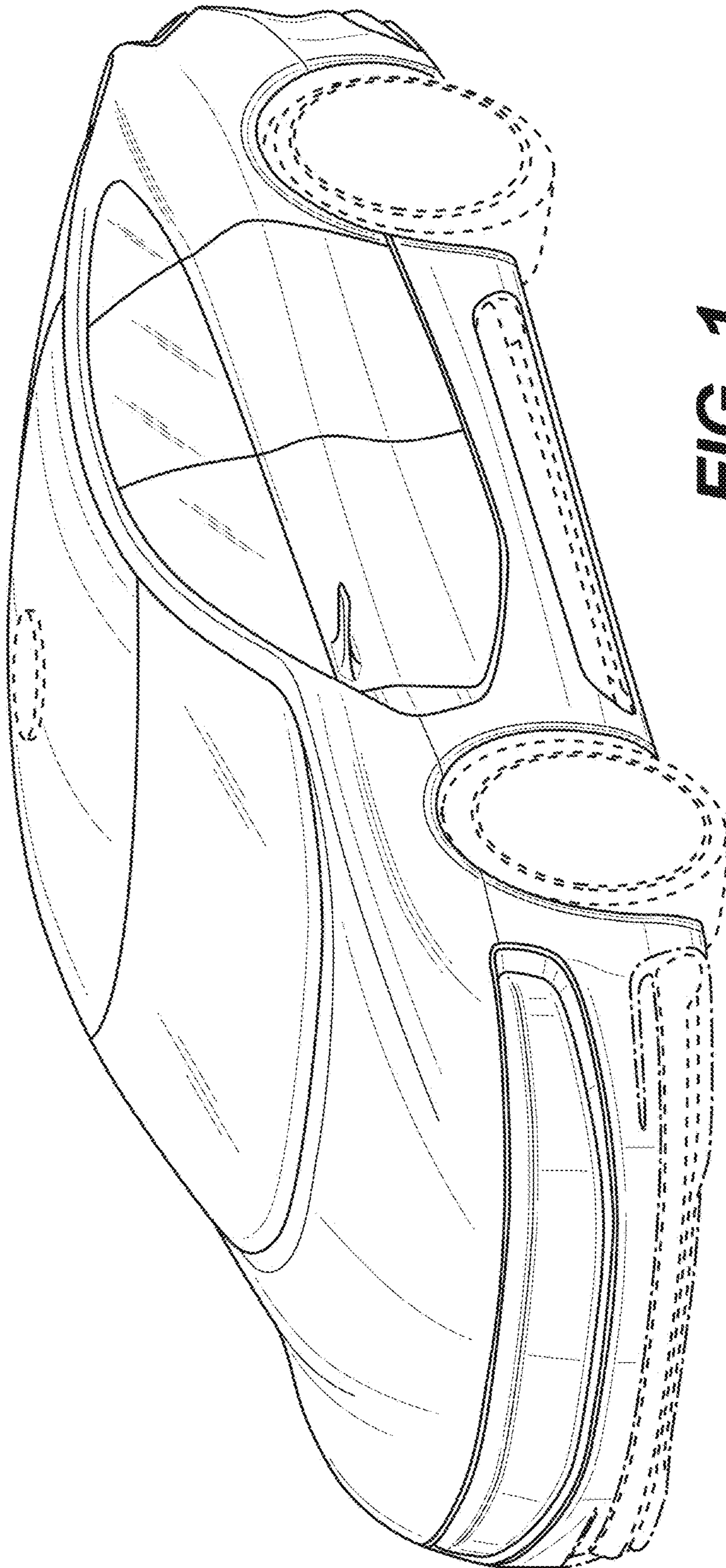
**DESCRIPTION**

FIG. 1 is a top, front and left side perspective view of a  
vehicle exterior showing our new design;  
FIG. 2 is a top, rear and right side perspective view thereof;  
FIG. 3 is a front elevation view thereof;  
FIG. 4 is a rear elevation view thereof;  
FIG. 5 is a right side elevation view thereof, the left side  
elevation view being a mirror image thereof;  
FIG. 6 is a top plan view thereof; and,  
FIG. 7 is a bottom plan thereof.

The broken lines of even length shown in the drawings  
illustrate portions of the vehicle exterior that form no part of  
the claimed design. The uneven length broken lines illustrate  
the boundary of the claimed design, and form no part  
thereof.

**1 Claim, 7 Drawing Sheets**





**FIG. 1**

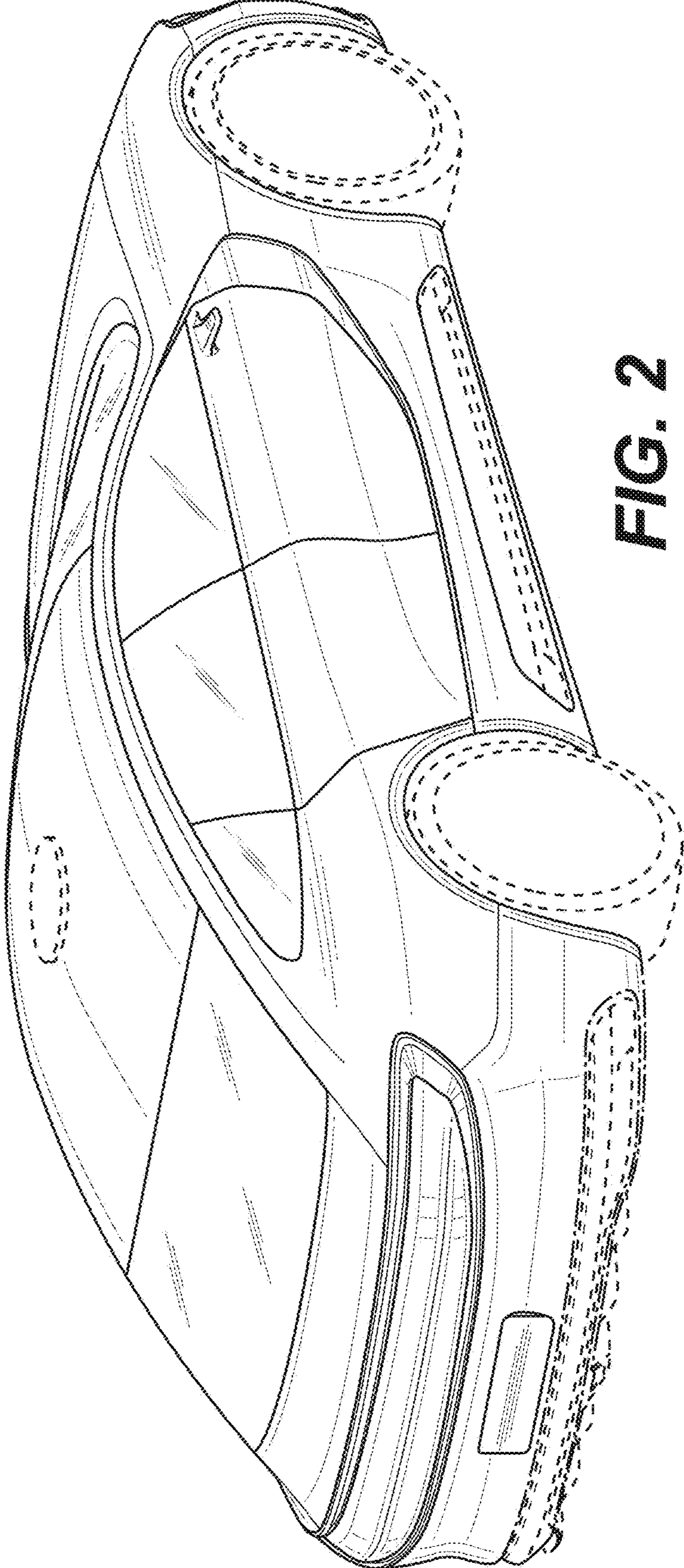
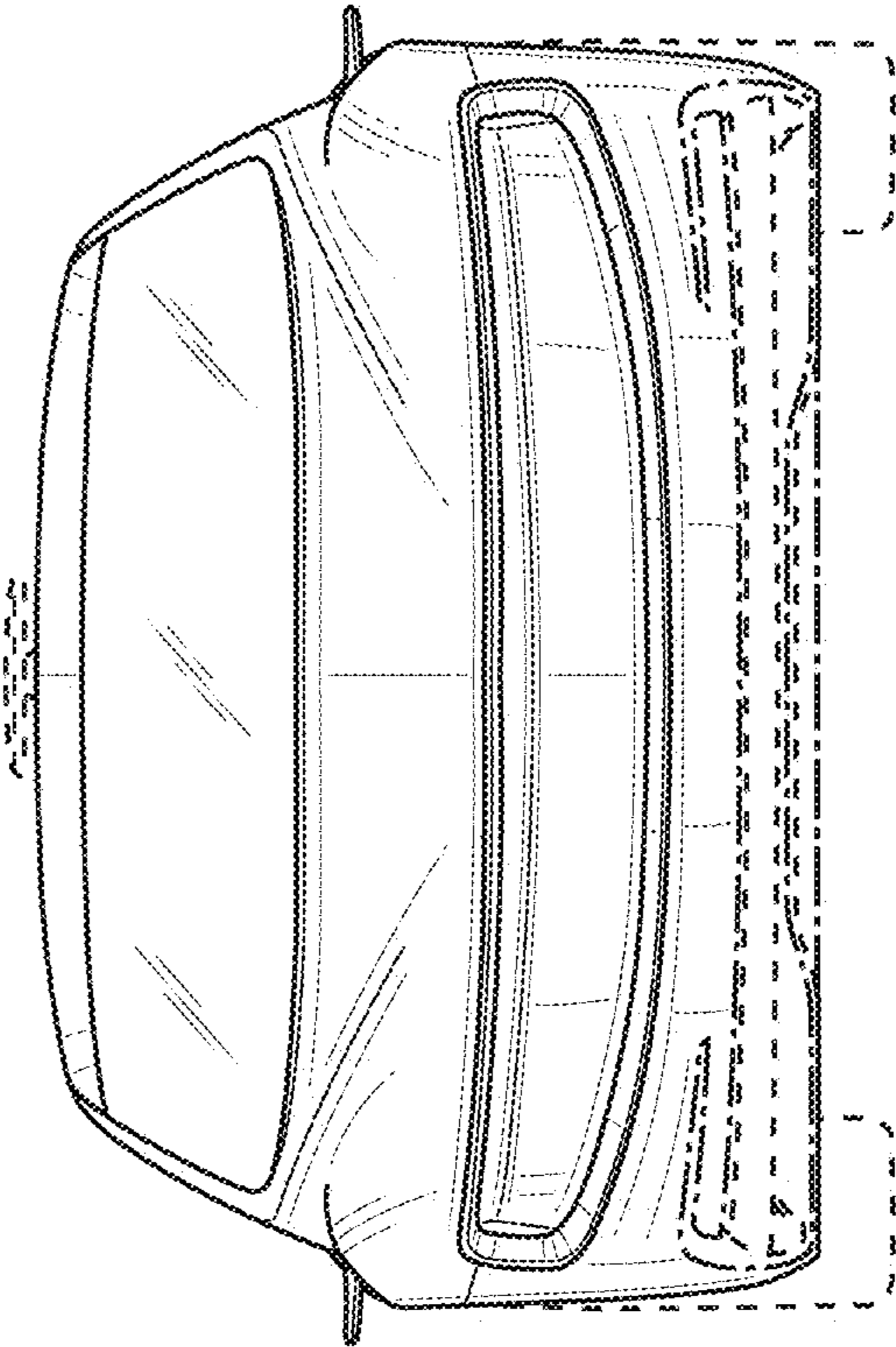
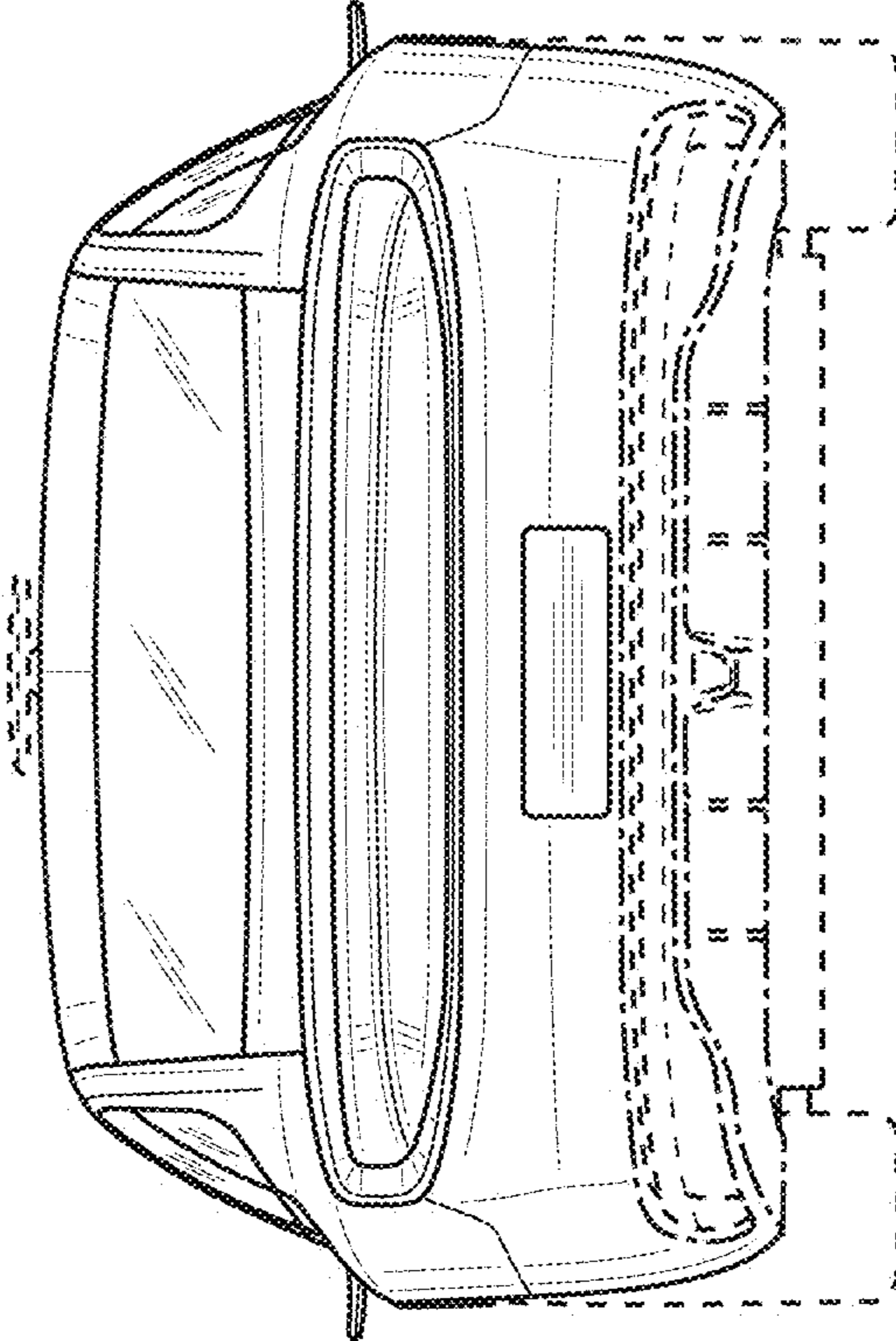


FIG. 2



**FIG. 3**



**FIG. 4**

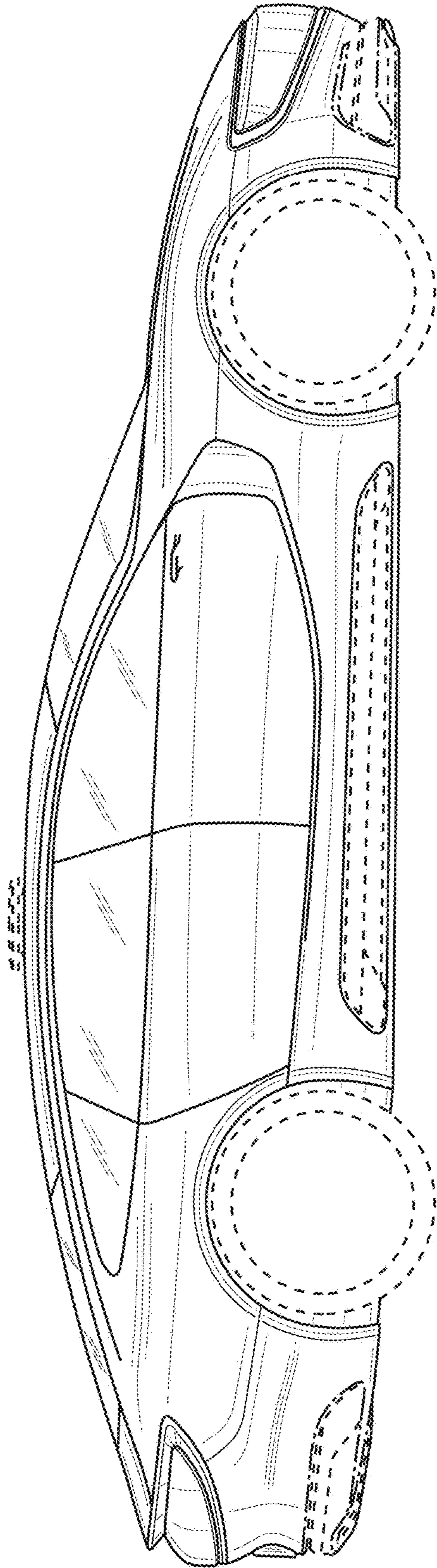
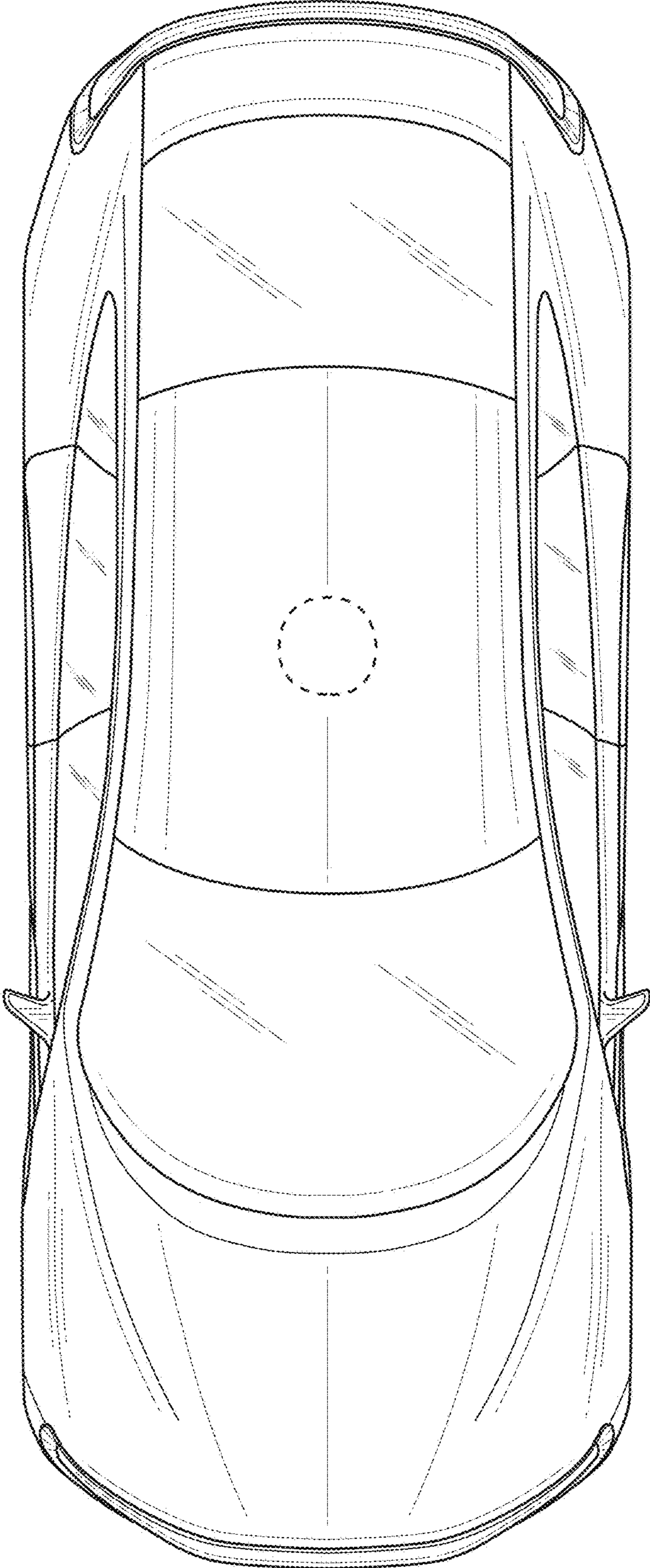


FIG. 5



**FIG. 6**

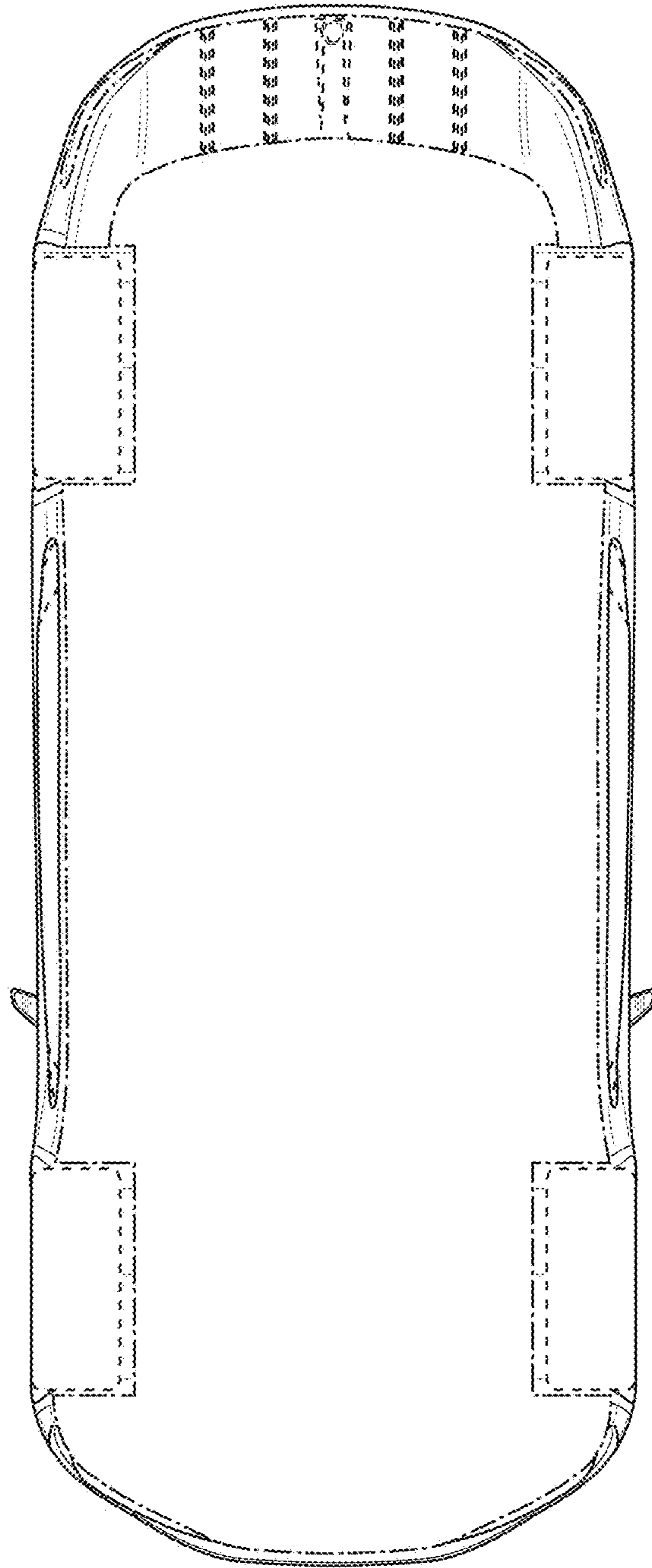


FIG. 7