



US00D808301S

(12) **United States Design Patent**
Goldy

(10) **Patent No.:** **US D808,301 S**

(45) **Date of Patent:** **** Jan. 23, 2018**

(54) **UNMANNED AERIAL VEHICLE**

(71) Applicant: **Robert Goldy**, New York, NY (US)

(72) Inventor: **Robert Goldy**, New York, NY (US)

(73) Assignee: **Trend Right Research and Development Corporation**, New York, NY (US)

(**) Term: **15 Years**

(21) Appl. No.: **29/575,090**

(22) Filed: **Aug. 22, 2016**

(51) **LOC (11) Cl.** **12-07**

(52) **U.S. Cl.**
USPC **D12/16.1**

(58) **Field of Classification Search**
USPC D12/16.1, 319–345; D21/436, 441, 442, D21/443, 446, 447, 448, 449, 450, 451, D21/452, 453, 454
CPC ... B64C 27/20; B64C 27/08; B64C 2201/104; B64C 2201/021; B64C 2201/128; B64C 2201/024; B64C 2201/141; B64C 2201/108; B64C 39/024
See application file for complete search history.

(56) **References Cited**

U.S. PATENT DOCUMENTS

D648,808 S *	11/2011	Seydoux	D21/441
D659,771 S *	5/2012	Seydoux	D21/441
D741,751 S *	10/2015	Klaptocz	D12/16.1
D756,842 S *	5/2016	Ashjaee	D12/16.1
D763,134 S *	8/2016	Wang	D12/16.1
D767,043 S *	9/2016	Morrison	D12/16.1
D768,539 S *	10/2016	Lee	D12/16.1
D768,540 S *	10/2016	Ji	D12/16.1
D770,572 S *	11/2016	Caubel	D21/441
D783,727 S *	4/2017	Xiao	D21/441
D784,201 S *	4/2017	Goldy	D12/16.1
D785,541 S *	5/2017	Du	D12/328

D785,717 S *	5/2017	Xiao	D21/441
2012/0234969 A1 *	9/2012	Savoye	A63H 27/12 244/17.13
2014/0117149 A1 *	5/2014	Zhou	A63H 27/12 244/17.23

(Continued)

Primary Examiner — Robert M. Spear

Assistant Examiner — Marissa J Cash

(74) *Attorney, Agent, or Firm* — Dinsmore & Shohl LLP

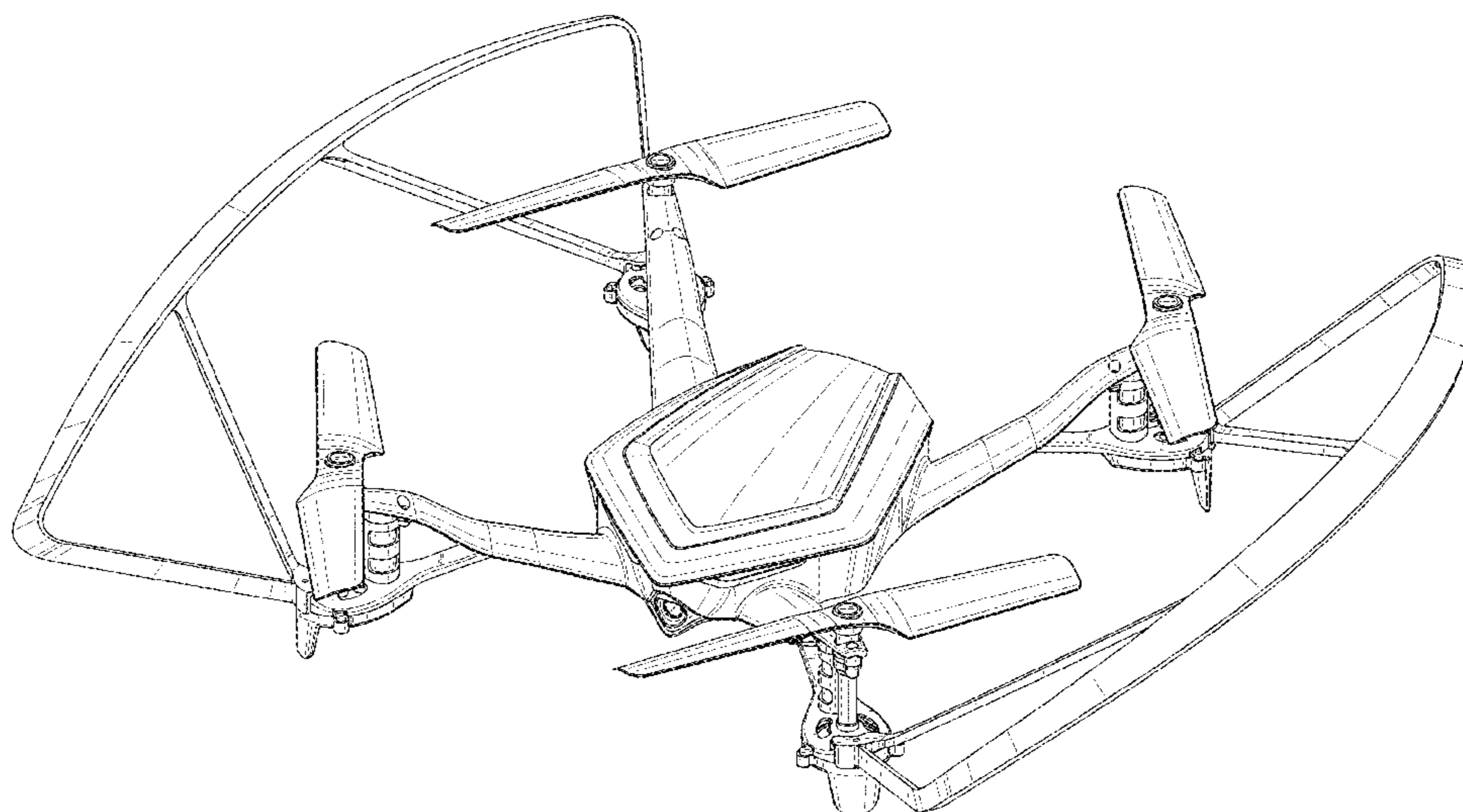
(57) **CLAIM**

The ornamental design for an unmanned aerial vehicle, as shown and described.

DESCRIPTION

FIG. 1 is an upper front perspective view of an unmanned aerial vehicle according to the present design;
 FIG. 2 is a front elevation view of the unmanned aerial vehicle of FIG. 1;
 FIG. 3 is a rear elevation view of the unmanned aerial vehicle of FIG. 1;
 FIG. 4 is a right elevation view of the unmanned aerial vehicle of FIG. 1;
 FIG. 5 is a left elevation view of the unmanned aerial vehicle of FIG. 1;
 FIG. 6 is a top view of the unmanned aerial vehicle of FIG. 1;
 FIG. 7 is a bottom view of the unmanned aerial vehicle of FIG. 1;
 FIG. 8 is a lower front perspective view of the unmanned aerial vehicle of FIG. 1;
 FIG. 9 is a lower rear perspective view of the unmanned aerial vehicle of FIG. 1; and,
 FIG. 10 is an upper rear perspective view of the unmanned aerial vehicle of FIG. 1.
 The broken lines, where present, in all of the figures illustrate portions of the unmanned aerial vehicle that represent the environment of the claimed design and form no part of the claimed design.

1 Claim, 8 Drawing Sheets



(56)

References Cited

U.S. PATENT DOCUMENTS

2014/0339355 A1* 11/2014 Olm B64C 27/08
244/17.23
2015/0051755 A1* 2/2015 Erhart A63H 27/12
701/2
2015/0149000 A1* 5/2015 Rischmuller B64C 39/024
701/7
2015/0321759 A1* 11/2015 Caubel B64C 39/024
244/17.23
2016/0068261 A1* 3/2016 Niederberger B64C 39/024
244/2
2016/0378108 A1* 12/2016 Paczan B64C 37/02
705/330
2017/0144753 A1* 5/2017 Yu B64C 27/20

* cited by examiner

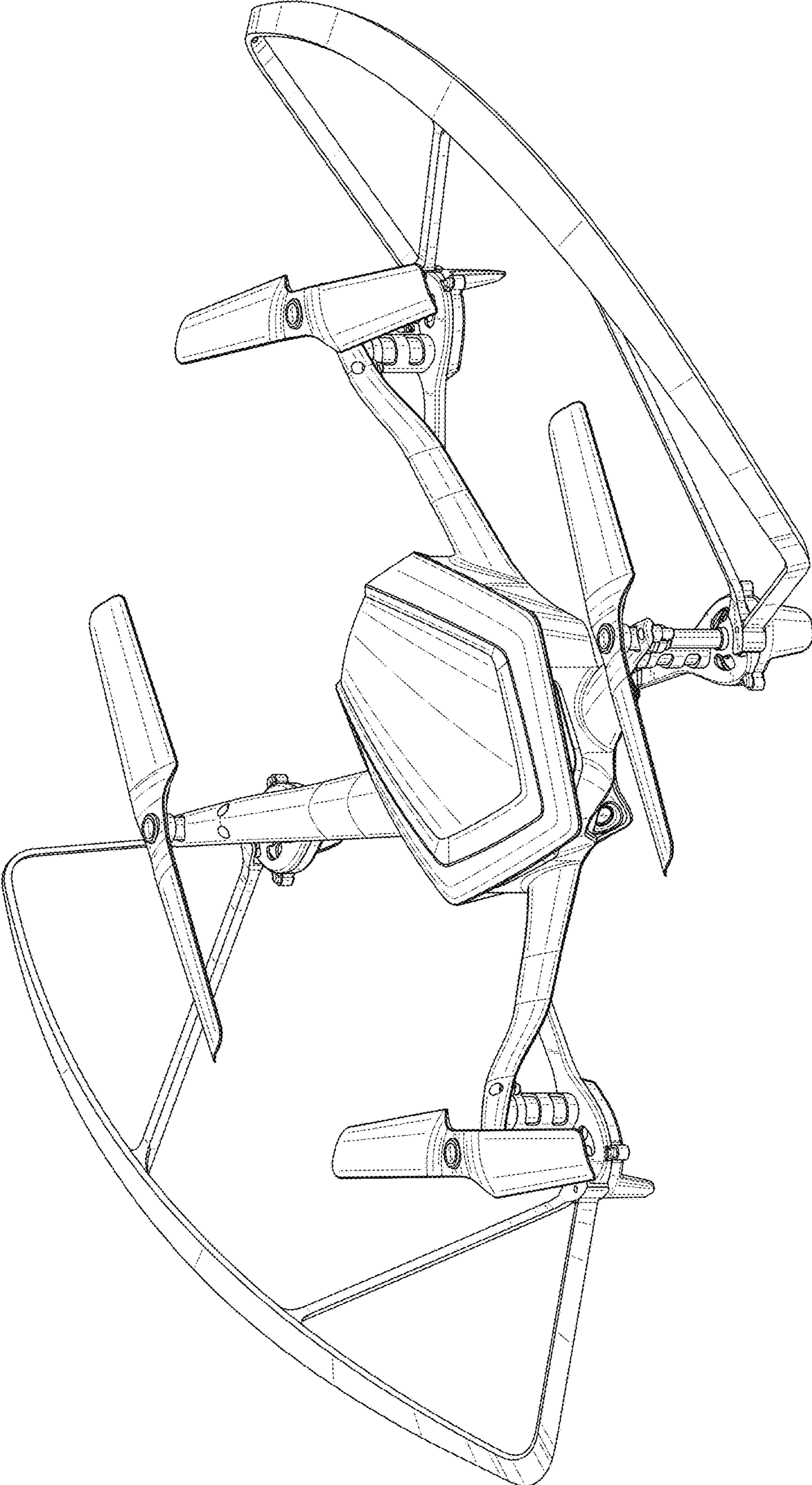


FIG. 1

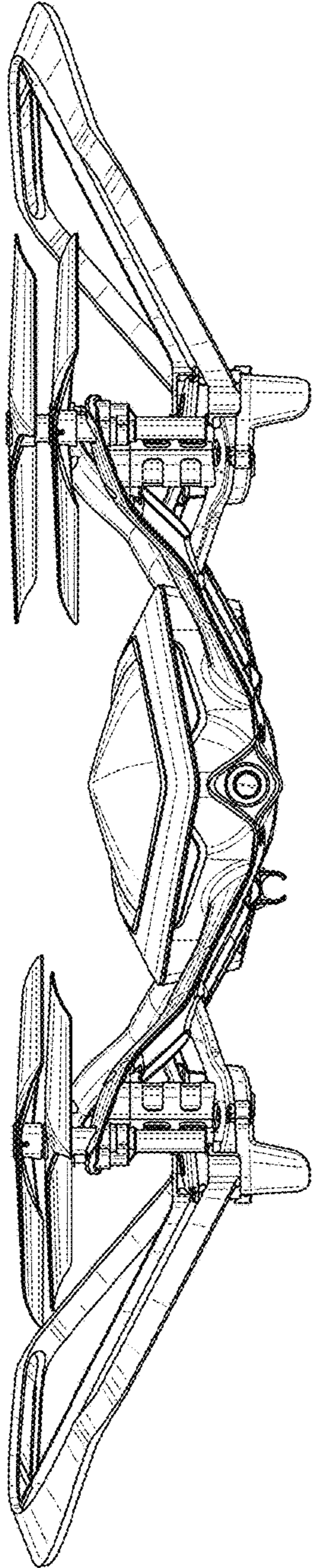


FIG. 2

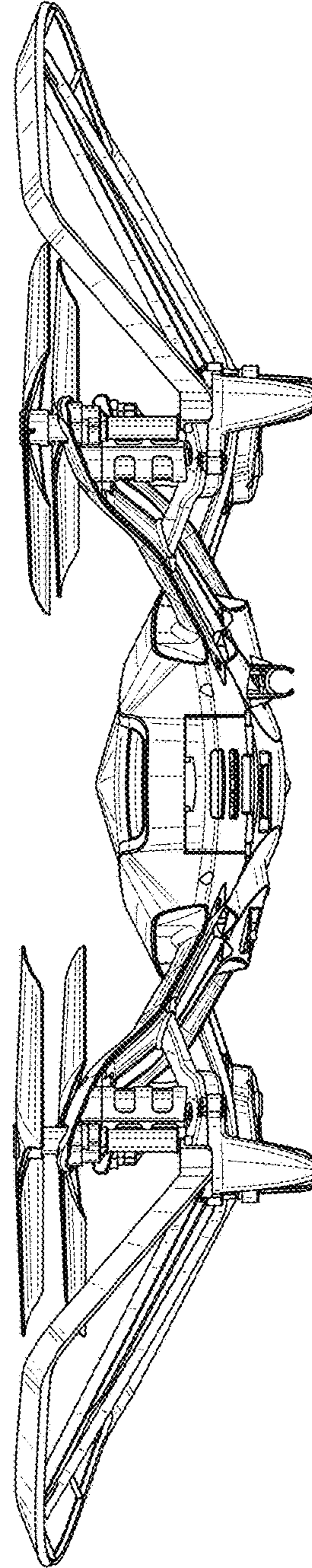


FIG. 3

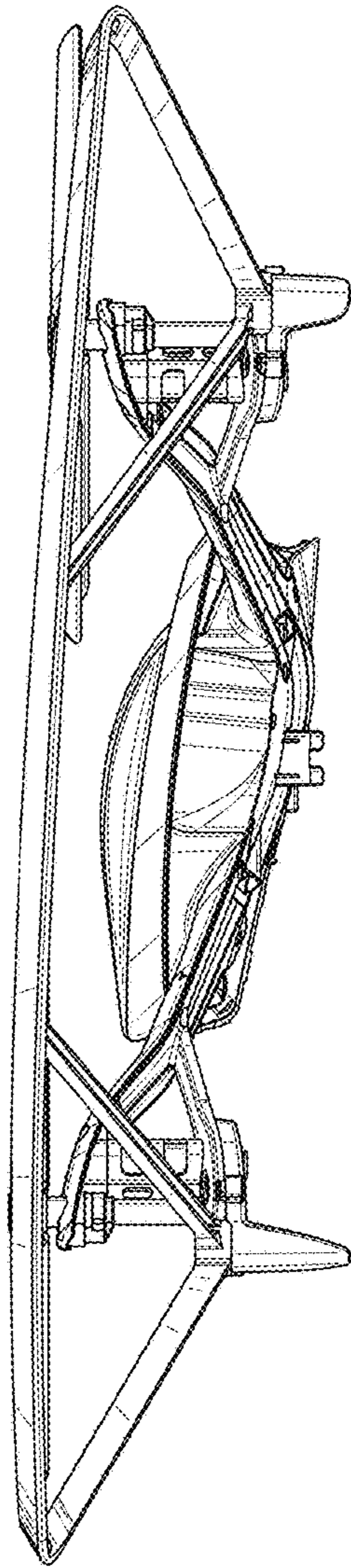


FIG. 4

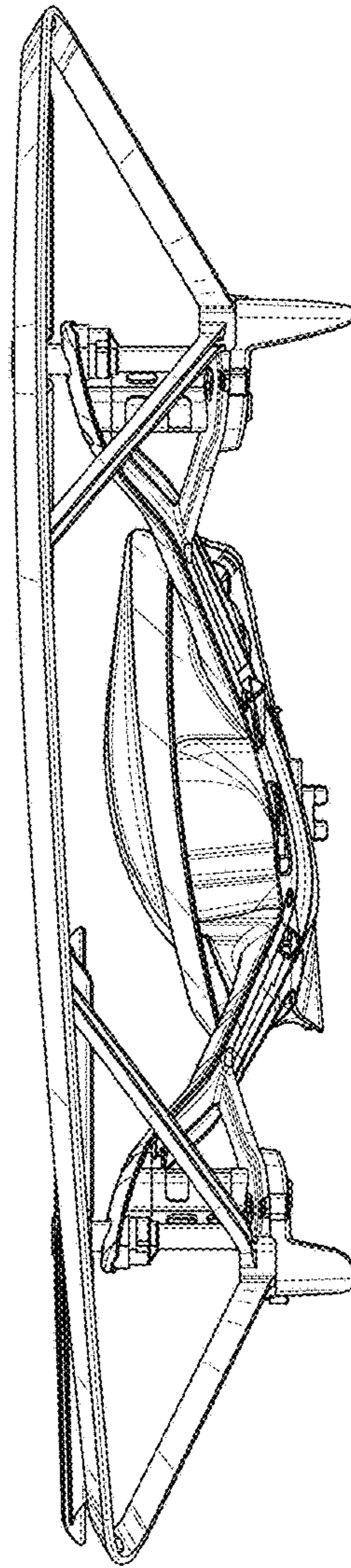


FIG. 5

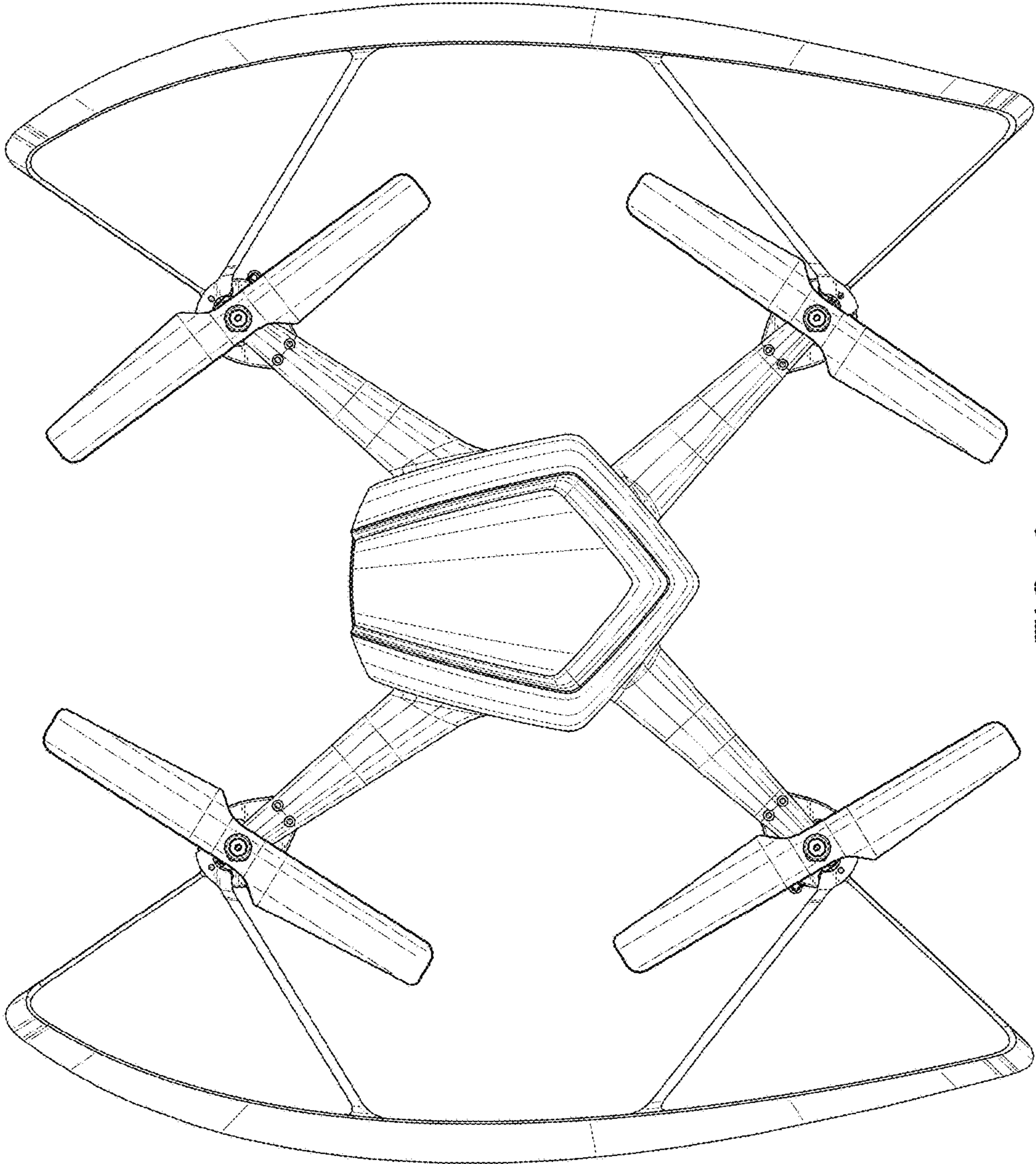


FIG. 6

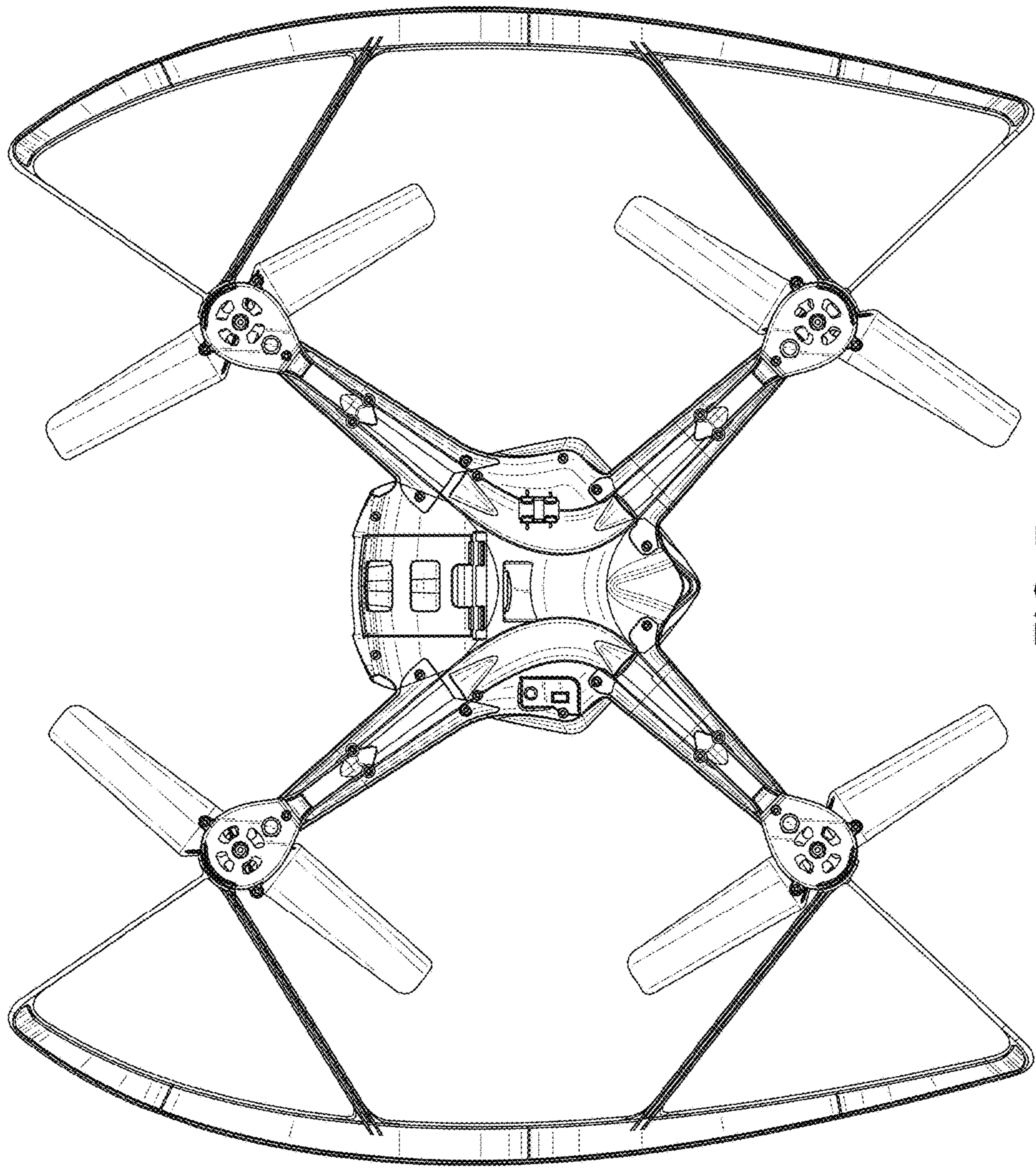


FIG. 7

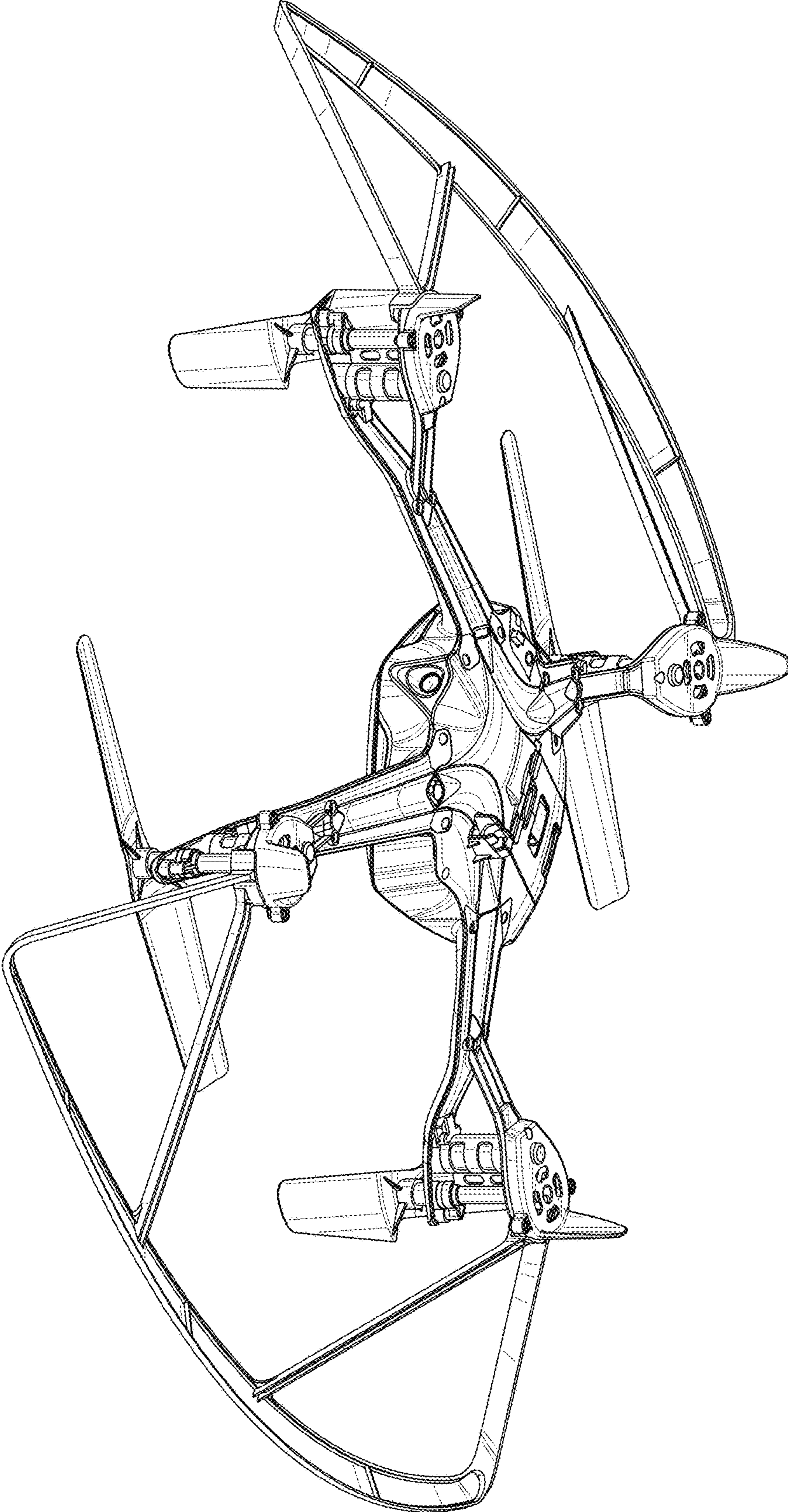


FIG. 8

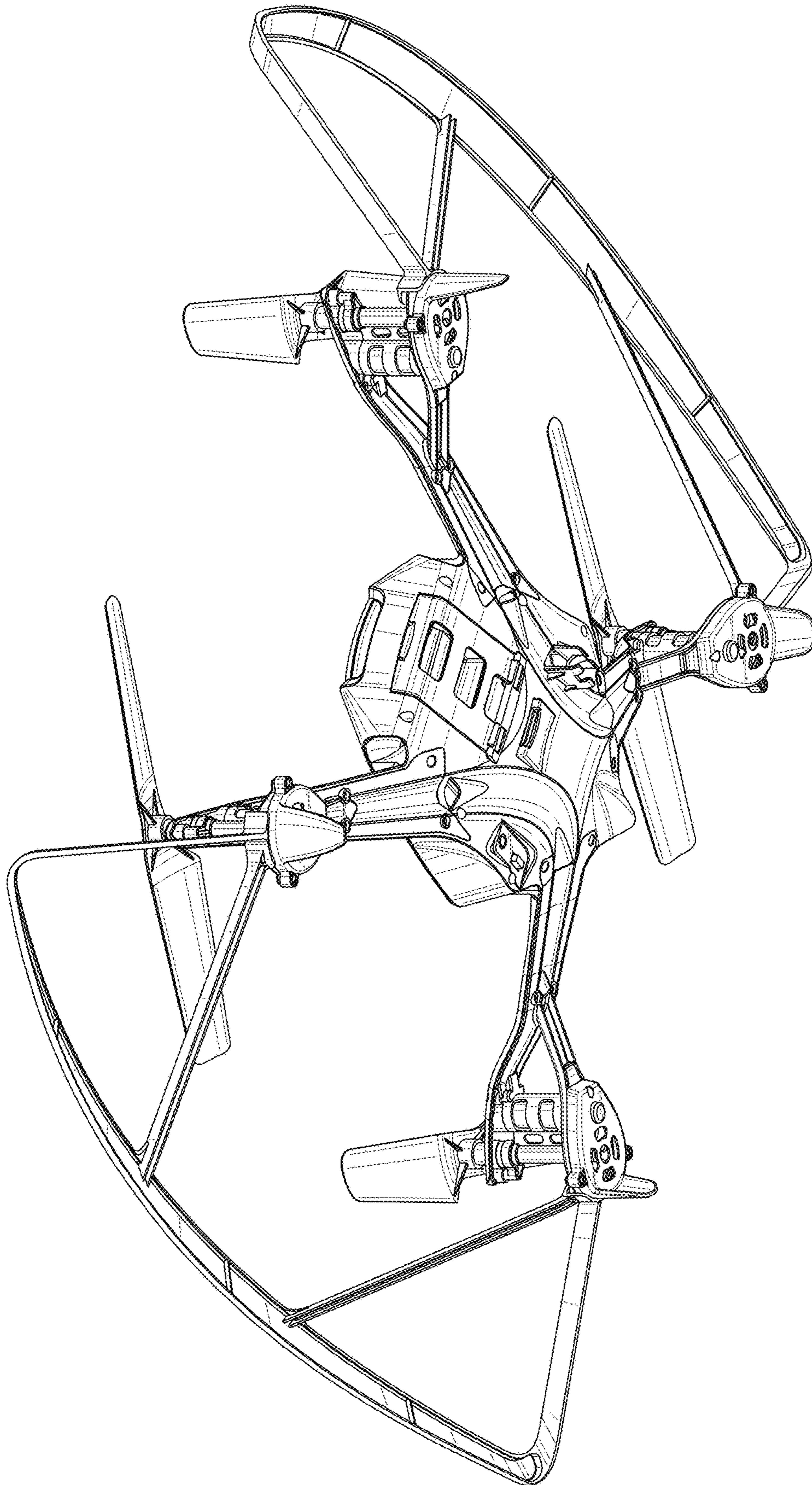


FIG. 9

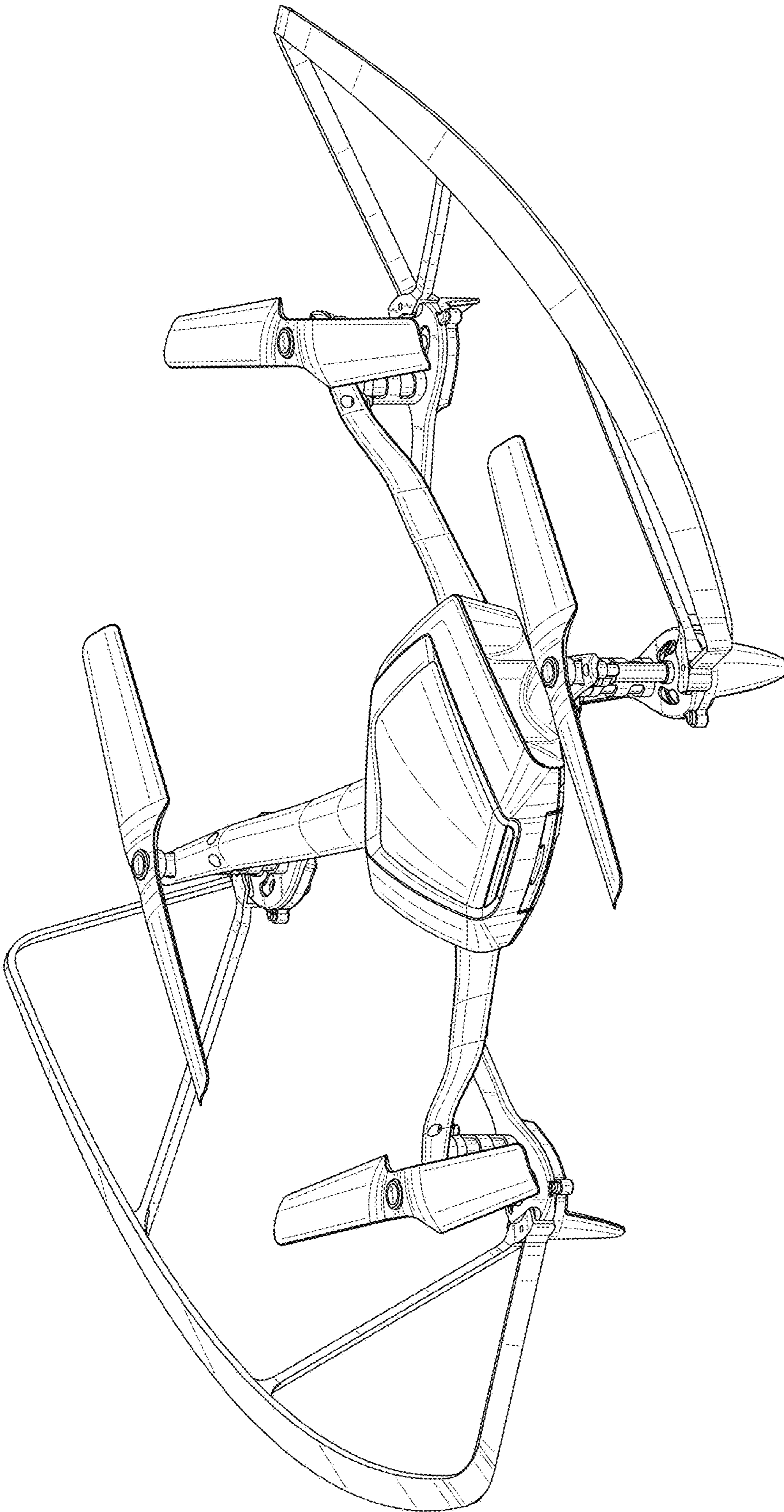


FIG. 10