



US00D808300S

(12) **United States Design Patent**
Cao

(10) **Patent No.:** **US D808,300 S**
(45) **Date of Patent:** **** Jan. 23, 2018**

(54) **BALANCE VEHICLE**

(71) Applicant: **SHENZHEN TOMOLOO TECHNOLOGY INDUSTRIAL CO., LTD**, Shenzhen (CN)

(72) Inventor: **Zhifeng Cao**, Shenzhen (CN)

(73) Assignee: **SHENZHEN TOMOLOO TECHNOLOGY INDUSTRIAL CO., LTD.**, Shenzhen (CN)

(**) Term: **15 Years**

(21) Appl. No.: **29/583,709**

(22) Filed: **Nov. 8, 2016**

(51) **LOC (11) Cl.** **12-14**

(52) **U.S. Cl.**
USPC **D12/1**

(58) **Field of Classification Search**
USPC D12/1, 5; D21/419, 421, 423, 426, 662, D21/760, 765, 766, 769, 771, 776, 803
CPC B62K 3/007; B62K 17/00; B62K 2202/00; B62K 11/007; B62D 51/001; B62D 51/02; B62D 61/00; B62D 37/00; A63C 17/0033; A63C 17/01; A63C 17/016; A63C 2203/40; A63C 17/12; A63C 17/08; B60N 2/002; B60G 17/019
See application file for complete search history.

(56) **References Cited**

U.S. PATENT DOCUMENTS

D737,723 S * 9/2015 Ying D12/1
D738,256 S * 9/2015 Ying D12/1

D778,782 S * 2/2017 Chen D12/1
D784,195 S * 4/2017 Ying D12/1
D784,198 S * 4/2017 Zhu D12/1
D785,112 S * 4/2017 Ying D21/760
D786,130 S * 5/2017 Huang D12/1
D786,994 S * 5/2017 Chen D21/760
9,688,340 B1 * 6/2017 Kroymann B62K 13/04
2013/0238231 A1 * 9/2013 Chen B62K 11/007
701/124
2016/0129963 A1 * 5/2016 Ying B62D 51/001
180/6.5
2016/0325803 A1 * 11/2016 Waxman B62M 7/12
2017/0144718 A1 * 5/2017 Tinaphong B62K 11/007
2017/0240240 A1 * 8/2017 Kroymann B62K 13/04

* cited by examiner

Primary Examiner — T. Chase Nelson

Assistant Examiner — Ania Aman

(74) *Attorney, Agent, or Firm* — Oliff PLC

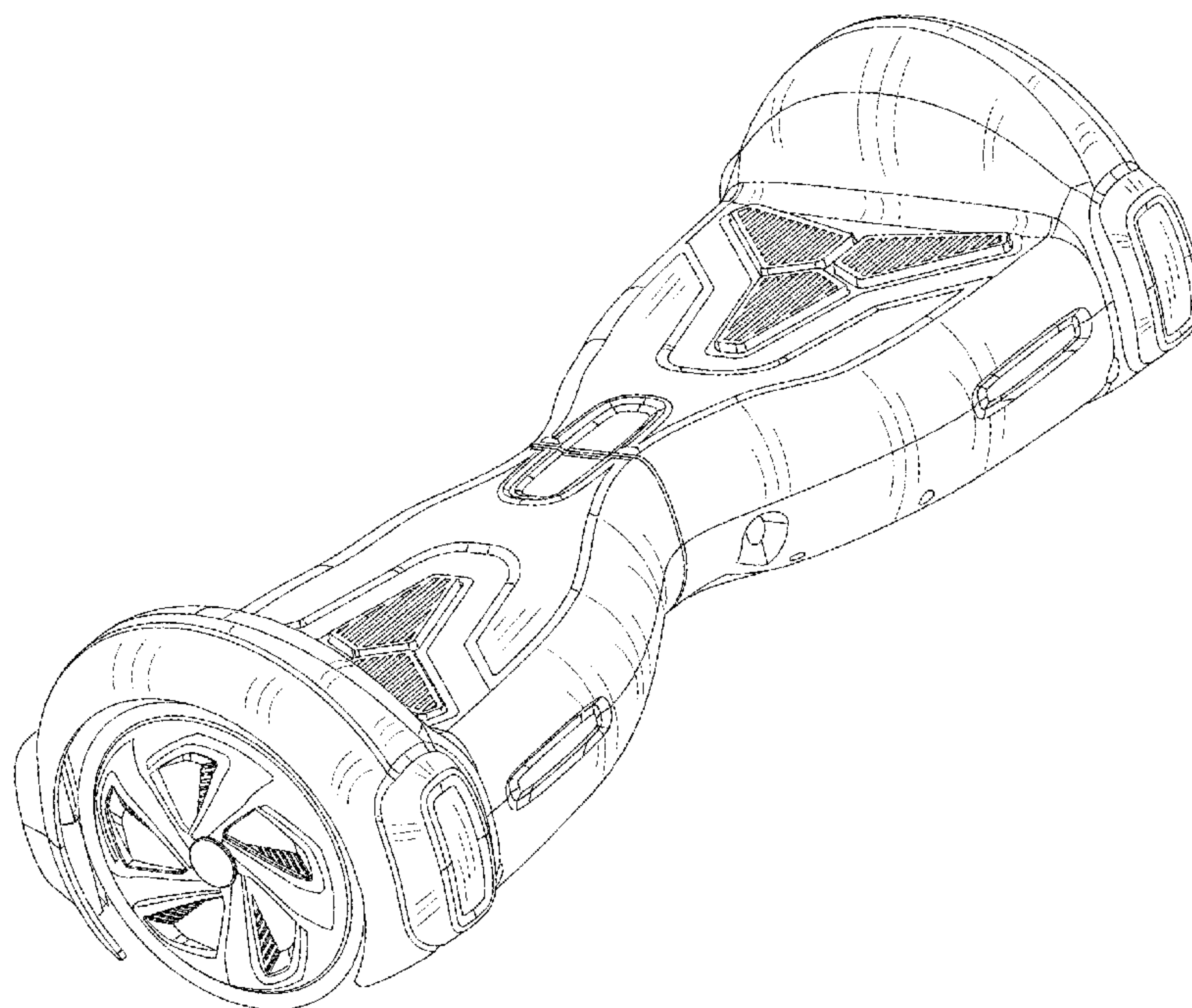
(57) **CLAIM**

The ornamental design for a balance vehicle, as shown and described.

DESCRIPTION

FIG. 1 is a front, left-side, top perspective view of the balance vehicle;
FIG. 2 is a front elevational view thereof;
FIG. 3 is a bottom plan view thereof;
FIG. 4 is a left-side elevational view thereof, the right-elevational view (not provided) being a mirror image thereof;
FIG. 5 is a rear elevational view thereof; and,
FIG. 6 is a top plan view thereof.

1 Claim, 4 Drawing Sheets



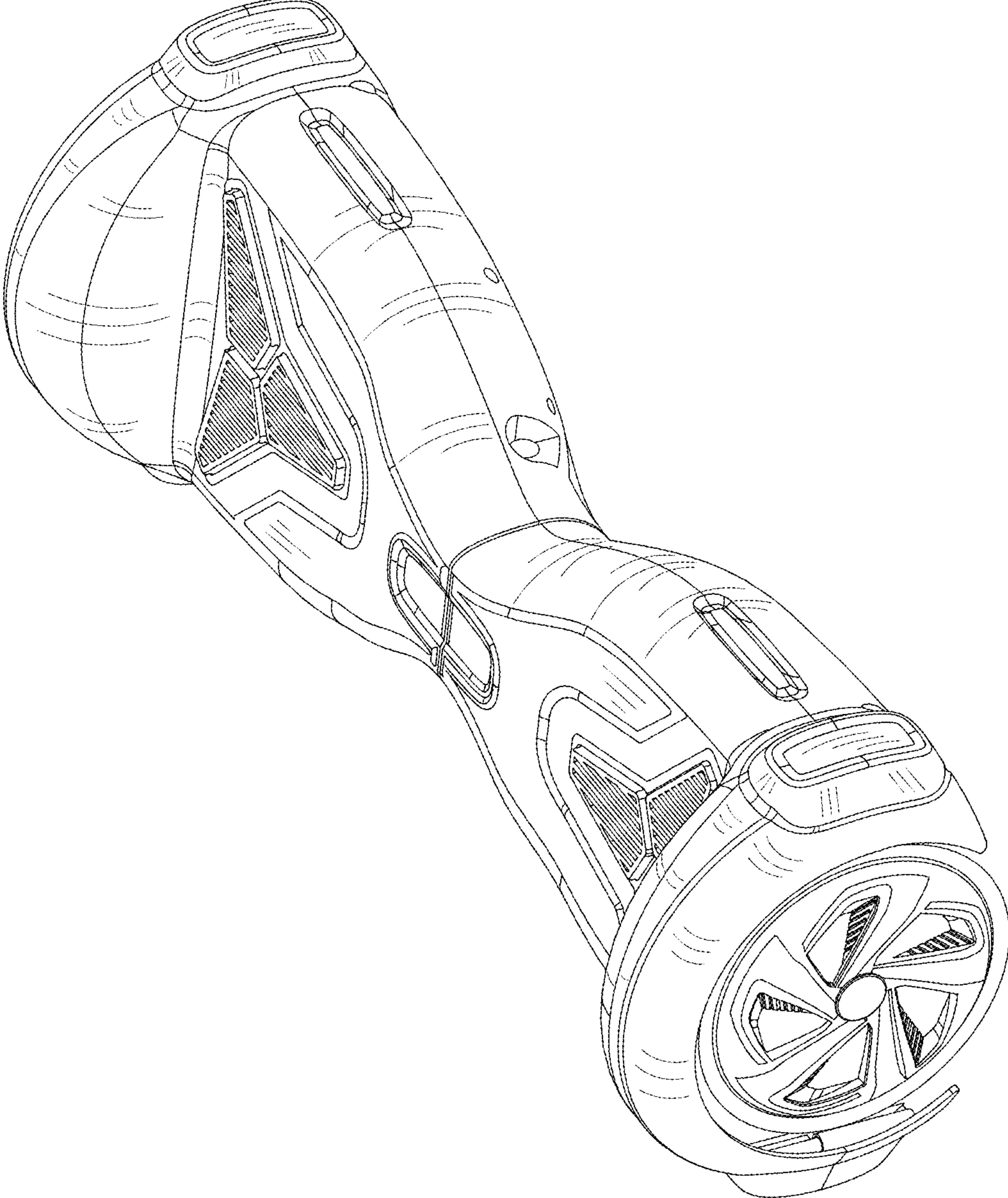


FIG. 1

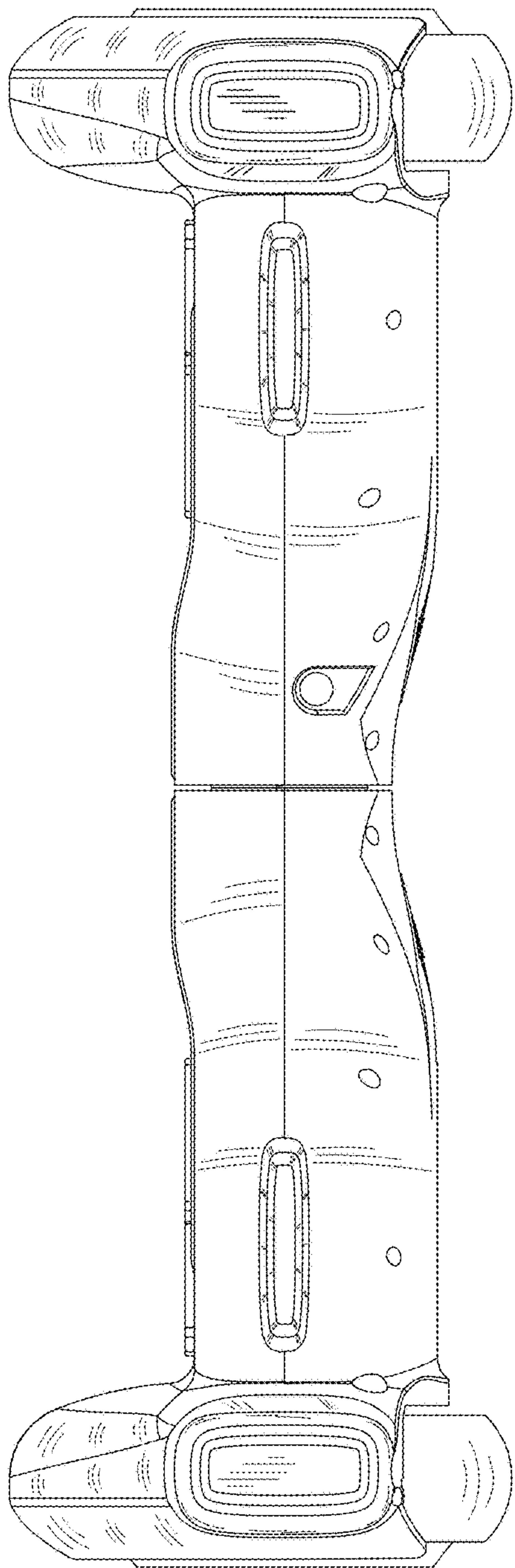


FIG. 2

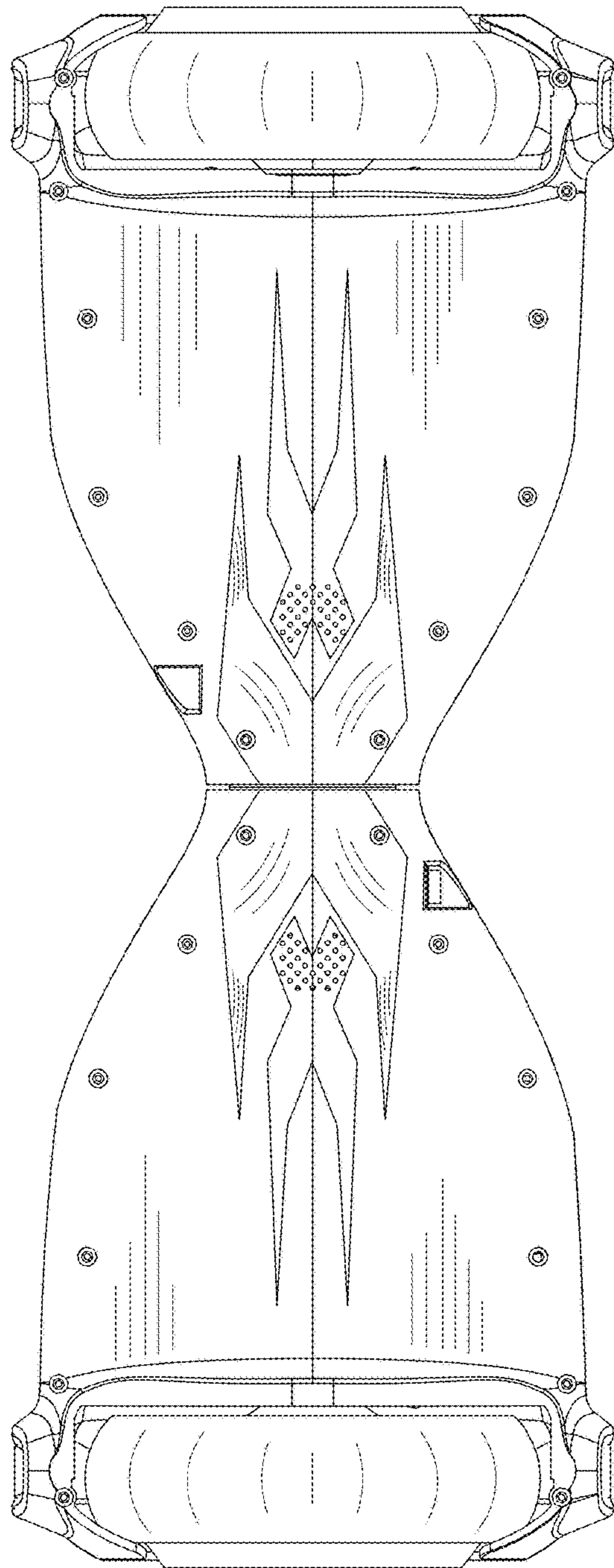


FIG. 3

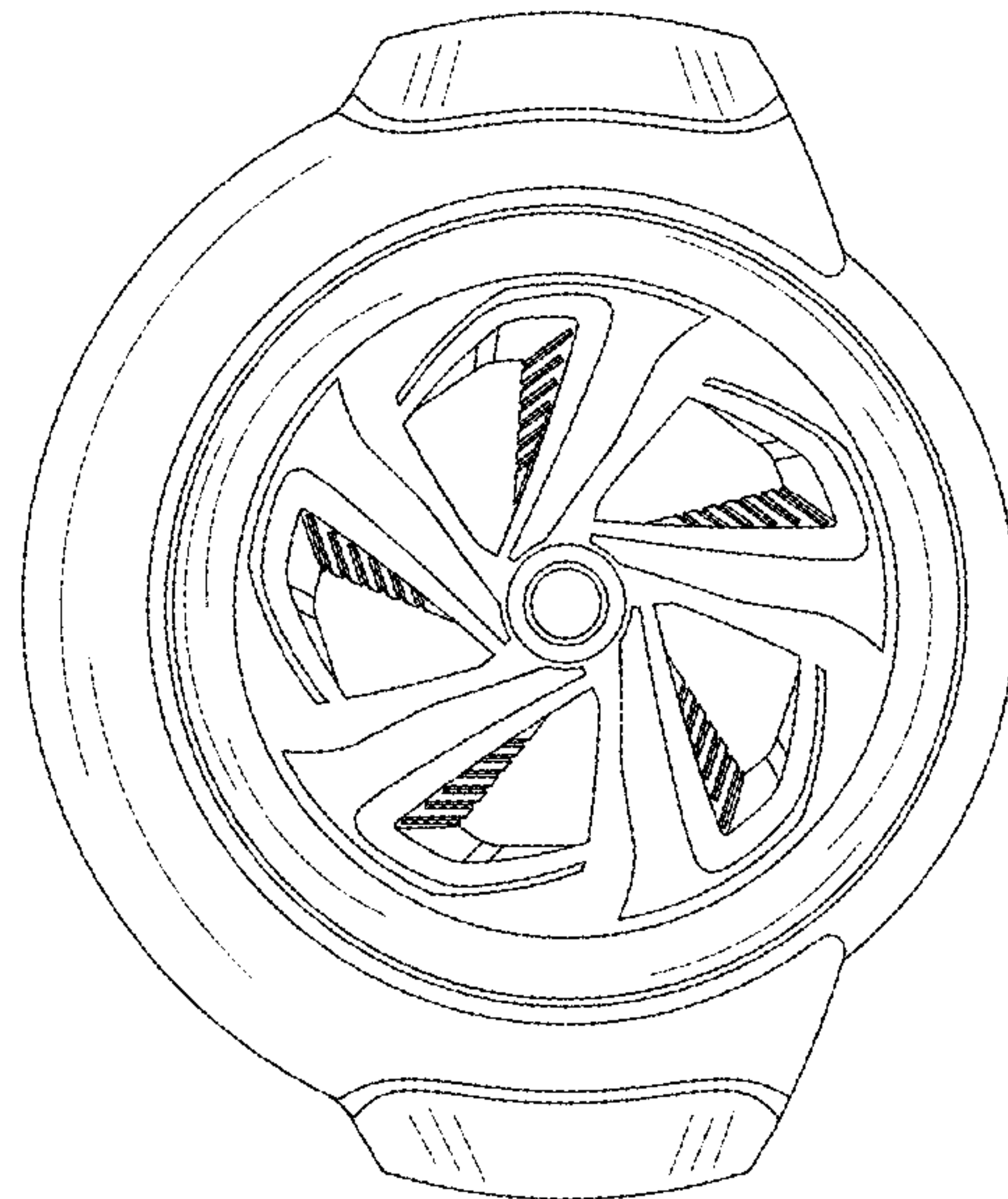


FIG. 4

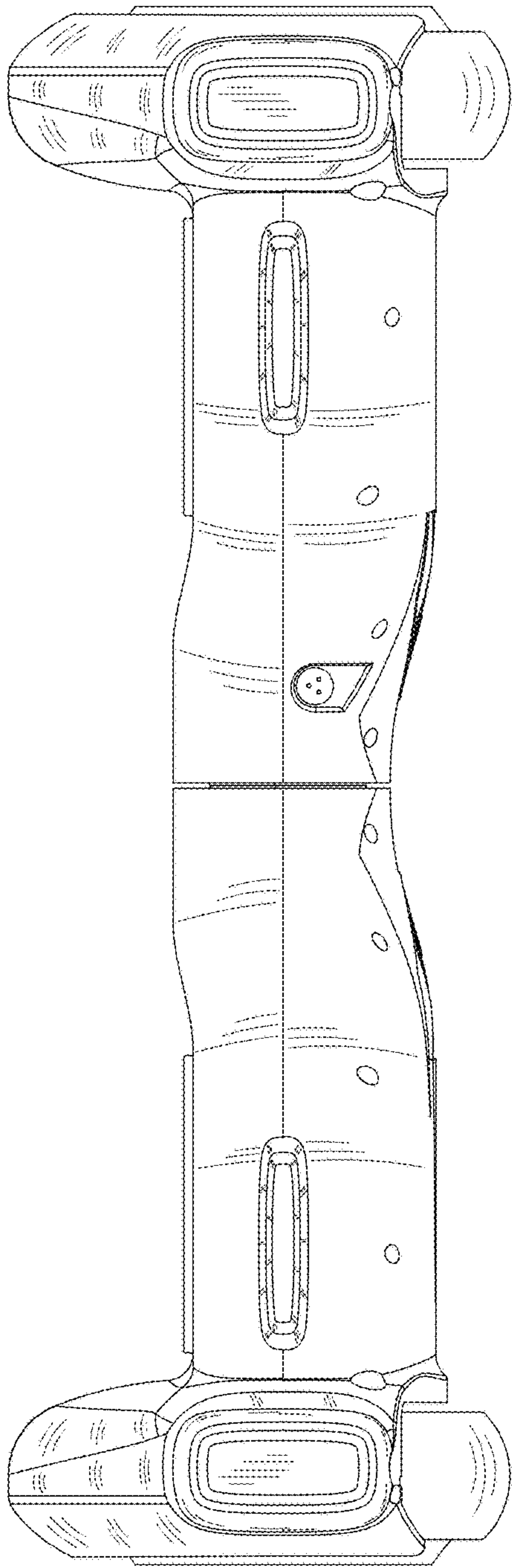


FIG. 5

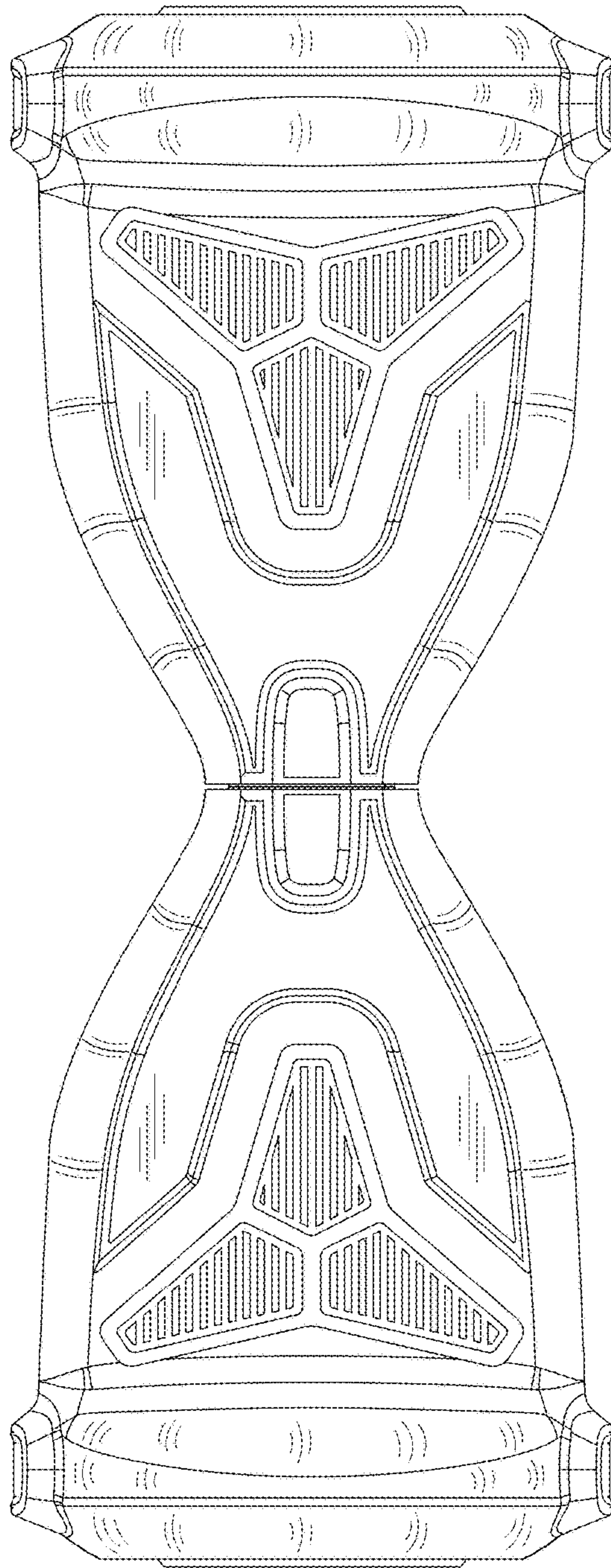


FIG. 6