



US00D808297S

(12) **United States Design Patent**
Chan et al.

(10) **Patent No.:** **US D808,297 S**

(45) **Date of Patent:** **** Jan. 23, 2018**

(54) **COIN HOLDING BASE FOR DECORATIVE ARTICLES**

(71) Applicants: **Michael L. F. Chan**, Berkeley, CA (US); **David M. F. Chan**, Lafayette, CA (US)

(72) Inventors: **Michael L. F. Chan**, Berkeley, CA (US); **David M. F. Chan**, Lafayette, CA (US)

(**) Term: **15 Years**

(21) Appl. No.: **29/552,066**

(22) Filed: **Jan. 20, 2016**

(51) **LOC (11) Cl.** **11-02**

(52) **U.S. Cl.**
USPC **D11/164; D99/34**

(58) **Field of Classification Search**
USPC D11/117, 121, 130, 131, 164; D99/28, D99/34, 35, 36, 43, 99; D6/300, 309; 453/39, 50, 51, 54
CPC A47G 33/00; A47G 33/004; B44C 5/00; B44C 5/02; B44C 5/04; B44C 1/00; G07D 1/00; G07D 1/02; G07D 1/04; G07D 1/08; G07D 9/002; G07D 9/004; G07D 9/02; G07D 11/00; G07D 11/0006; G07D 11/0009; G07D 2201/00; G07F 9/06; G07F 17/105; A45C 1/12
See application file for complete search history.

(56) **References Cited**

U.S. PATENT DOCUMENTS

1,431,162	A *	10/1922	Keplinger	E05B 37/00 232/4 R
1,510,660	A *	10/1924	Dill	A45C 1/12 232/4 R
1,637,312	A *	7/1927	Hoag	A45C 1/12 232/4 R

1,666,524	A *	4/1928	Baughman	A45C 1/12 232/4 R
1,708,238	A *	4/1929	Russell	G07F 17/105 292/303
2,553,257	A *	5/1951	Honeyman	A45C 1/02 206/0.81
3,715,823	A	2/1973	Brossard		
D319,414	S *	8/1991	Moore	D11/131
D324,997	S *	3/1992	Jones	D28/82
D329,933	S *	9/1992	Perkitny	D99/35
D332,513	S *	1/1993	Haung	D99/37
D364,111	S *	11/1995	Smolik	D11/132
6,302,777	B1 *	10/2001	Zoldan	A45C 1/10 221/132
D477,451	S *	7/2003	Dupe	D99/34
D645,616	S *	9/2011	Wells	D28/82
D668,015	S *	9/2012	Lynch	D99/34
D771,521	S *	11/2016	McDonald	D11/131

(Continued)

Primary Examiner — Elizabeth J Oswecki

(74) *Attorney, Agent, or Firm* — Thomas Schneck

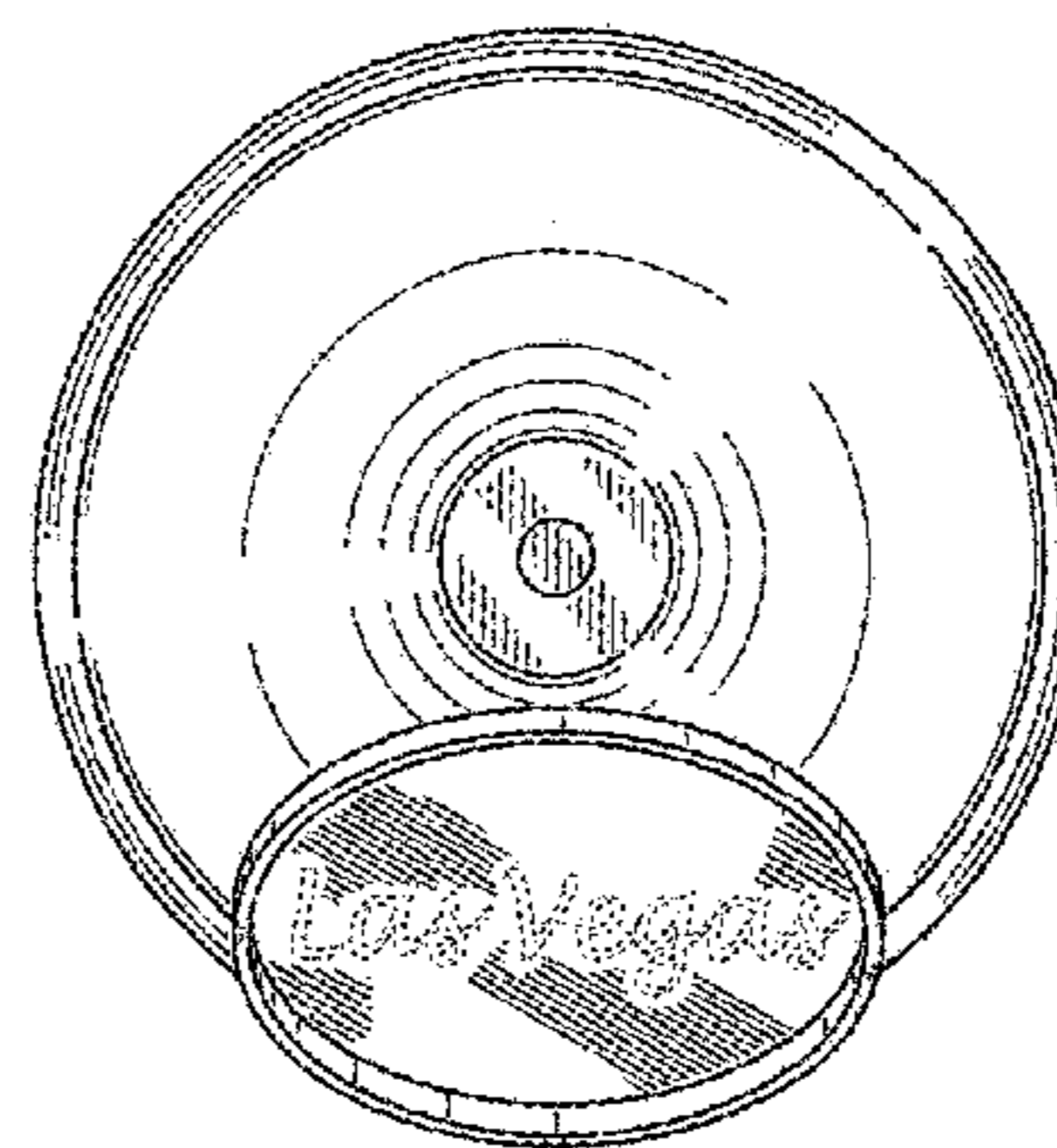
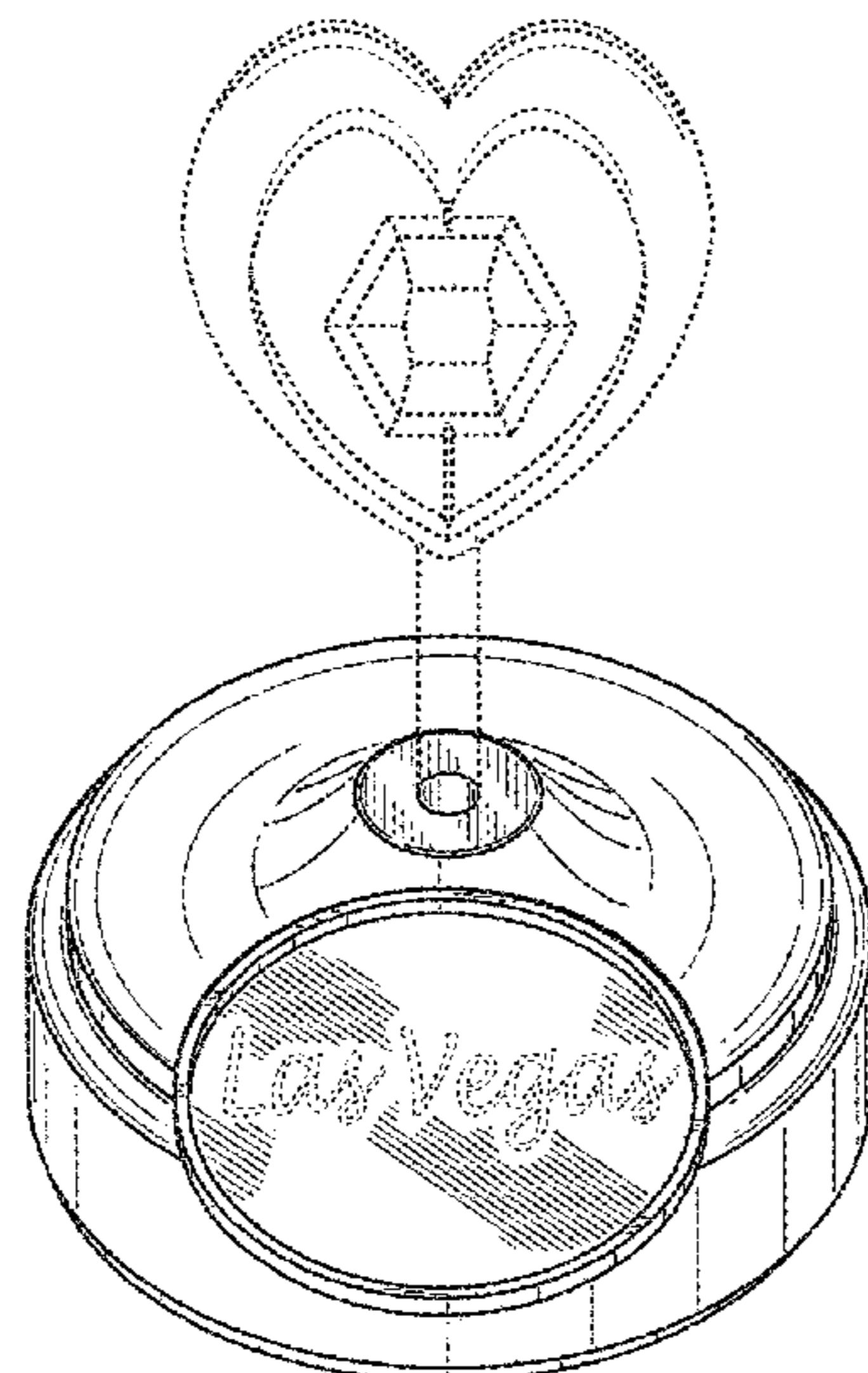
(57) **CLAIM**

The ornamental design for a coin holding base for decorative articles, as shown and described.

DESCRIPTION

FIG. 1 is a front perspective view of a coin holding base for decorative articles showing our new design, shown in a used condition with a heart and stick shown in broken lines; FIG. 2 is a front elevation view thereof; FIG. 3 is a back elevation view thereof; FIG. 4 is a right side view thereof; FIG. 5 is a left side view thereof; FIG. 6 is a top view thereof; and, FIG. 7 is a bottom view thereof. The broken lines of the heart shaped decorative article in FIG. 1, the “Las Vegas” script shown in FIGS. 1, 2, and 6 and the coin in FIG. 6 form no part of the claimed design.

1 Claim, 4 Drawing Sheets



(56)

References Cited

U.S. PATENT DOCUMENTS

D781,743 S * 3/2017 McDonald D11/164
D786,129 S * 5/2017 Chan D11/164
D786,692 S * 5/2017 Kim D9/690

* cited by examiner

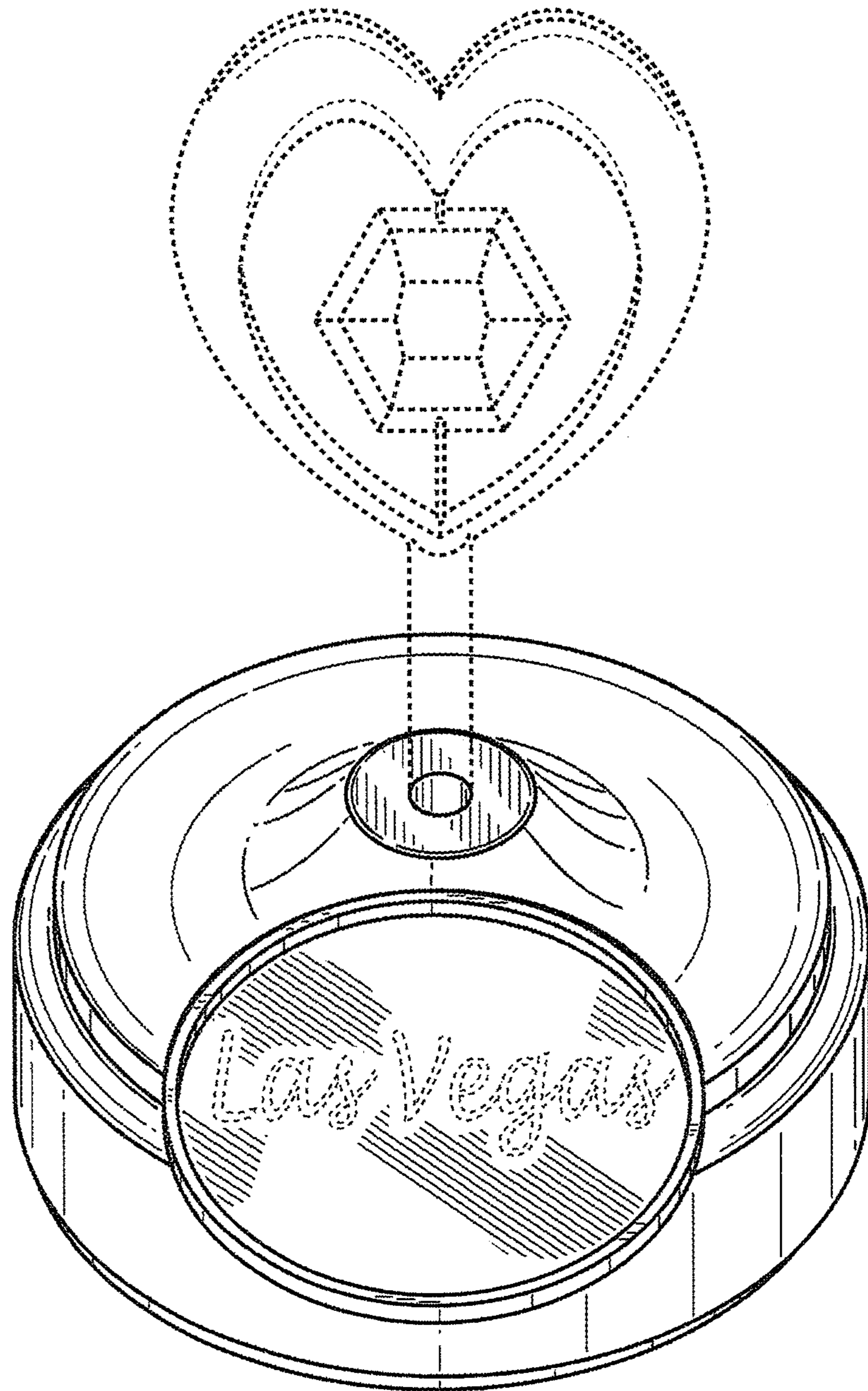


Fig. 1

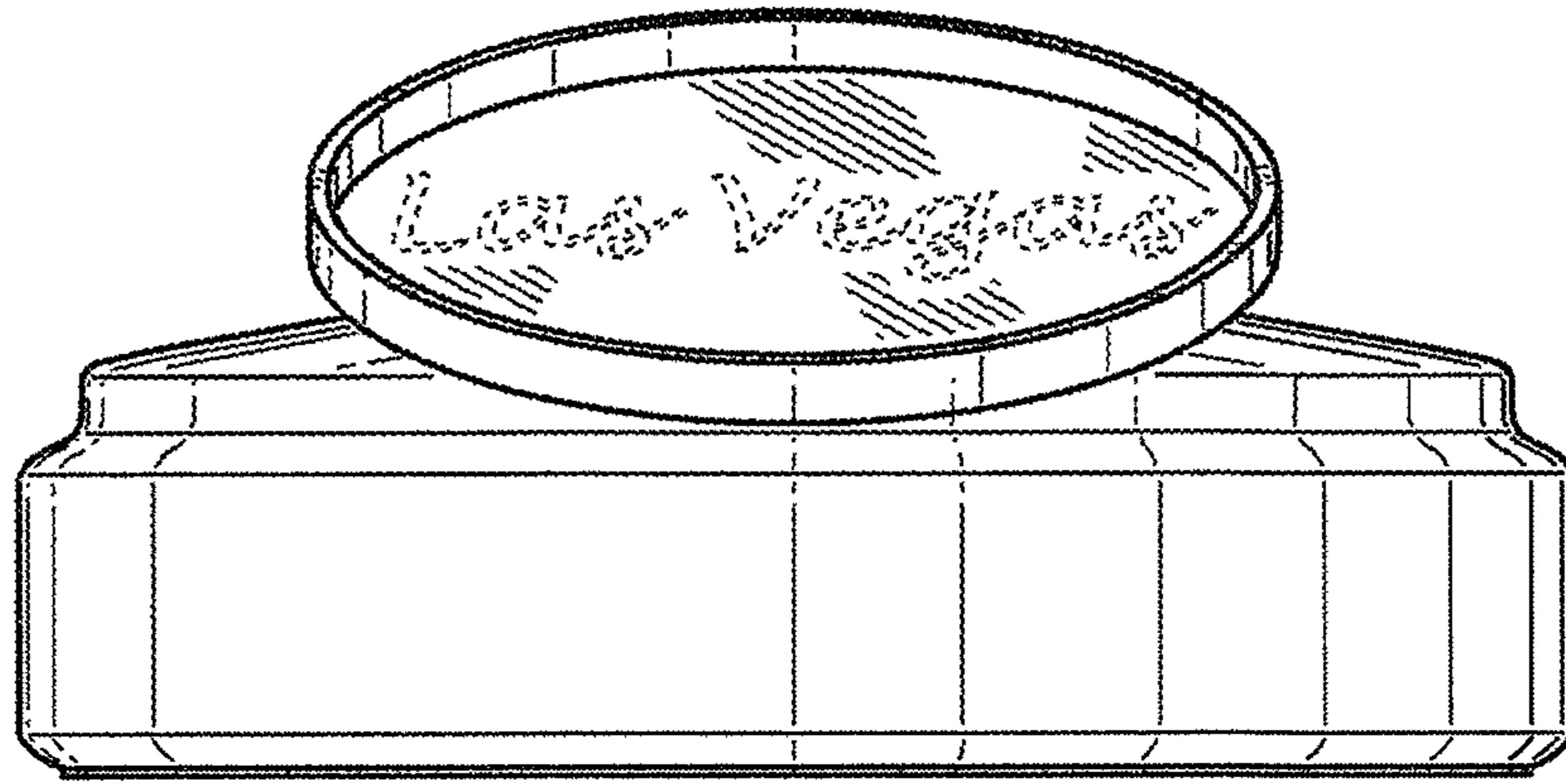


Fig. 2

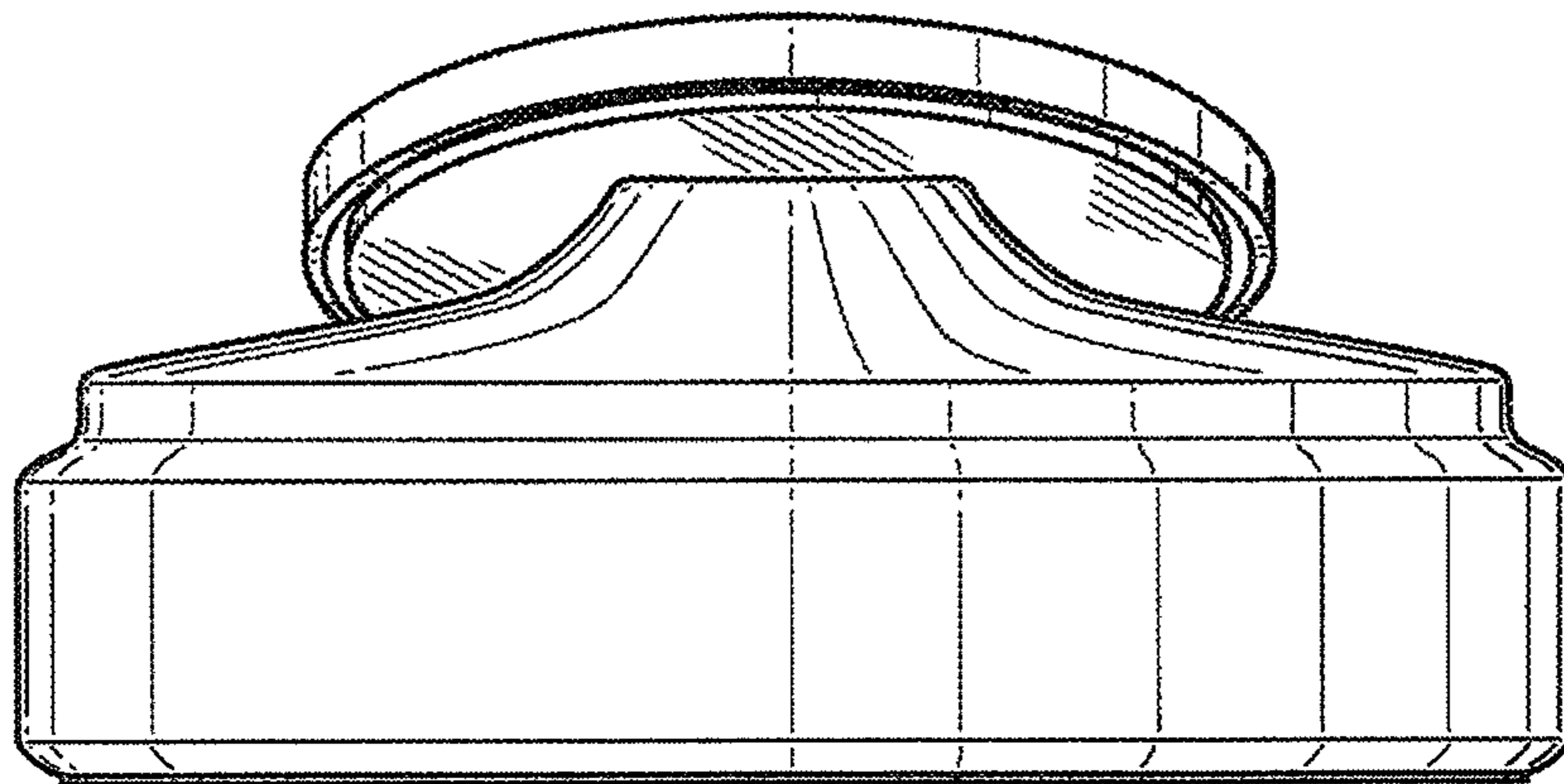


Fig. 3

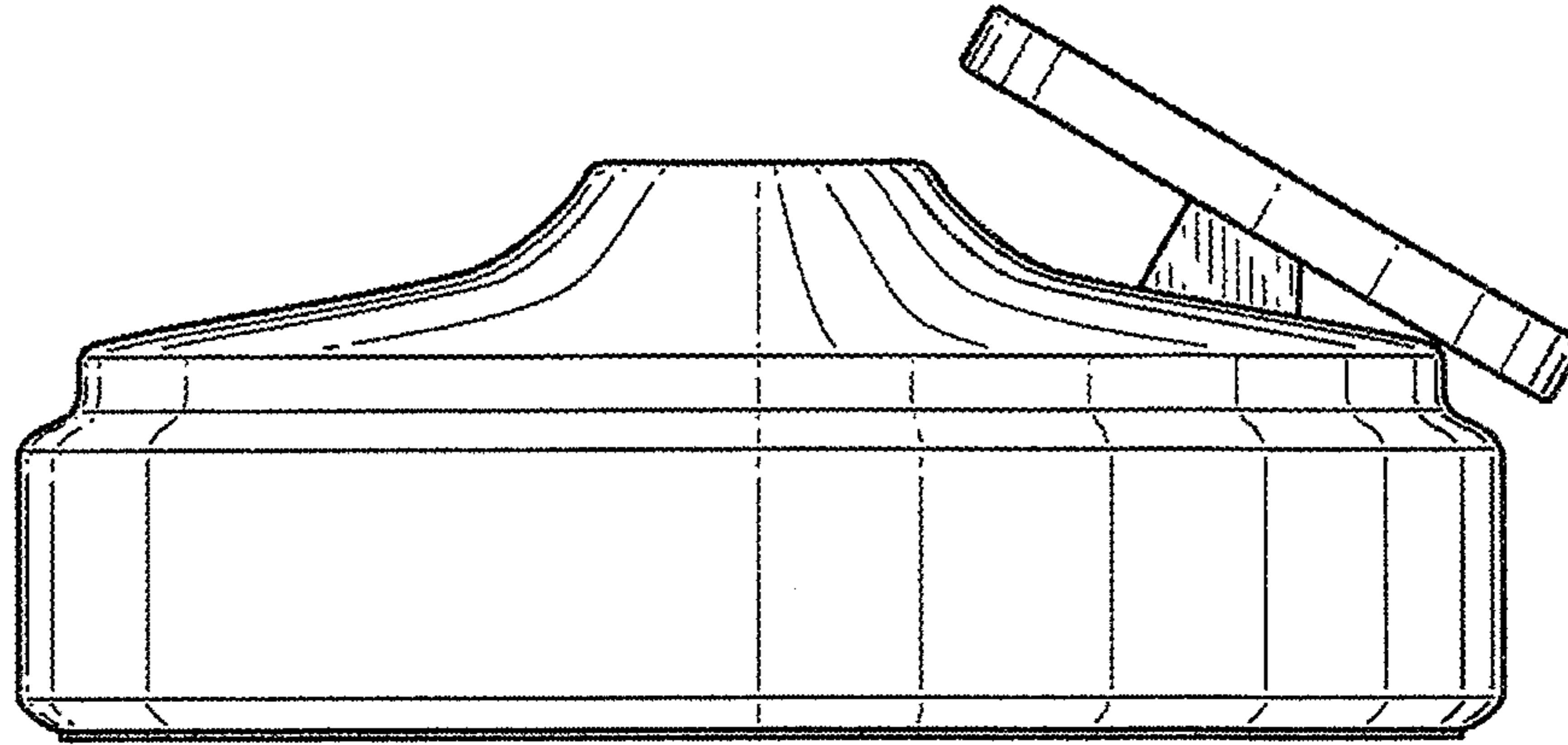


Fig. 4

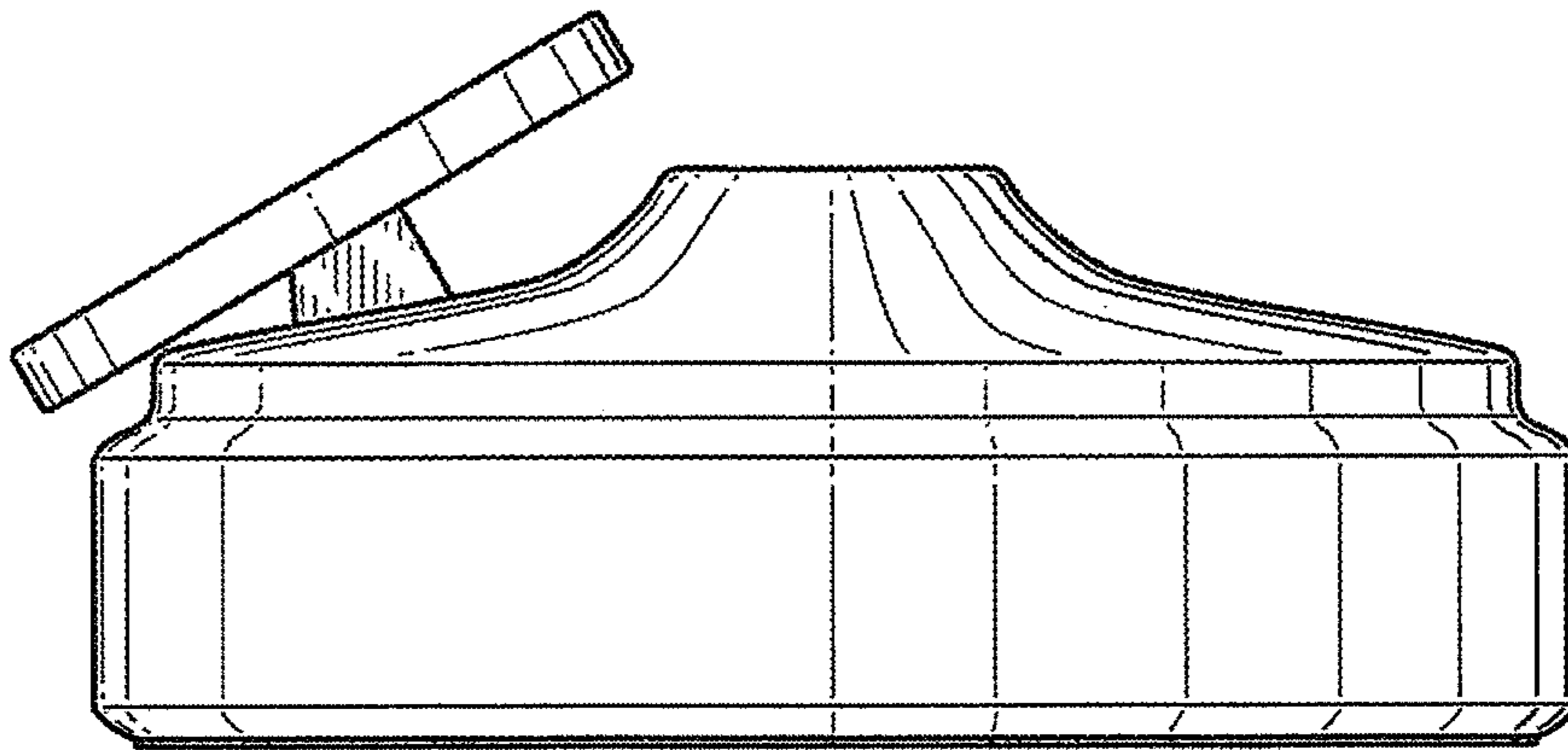


Fig. 5

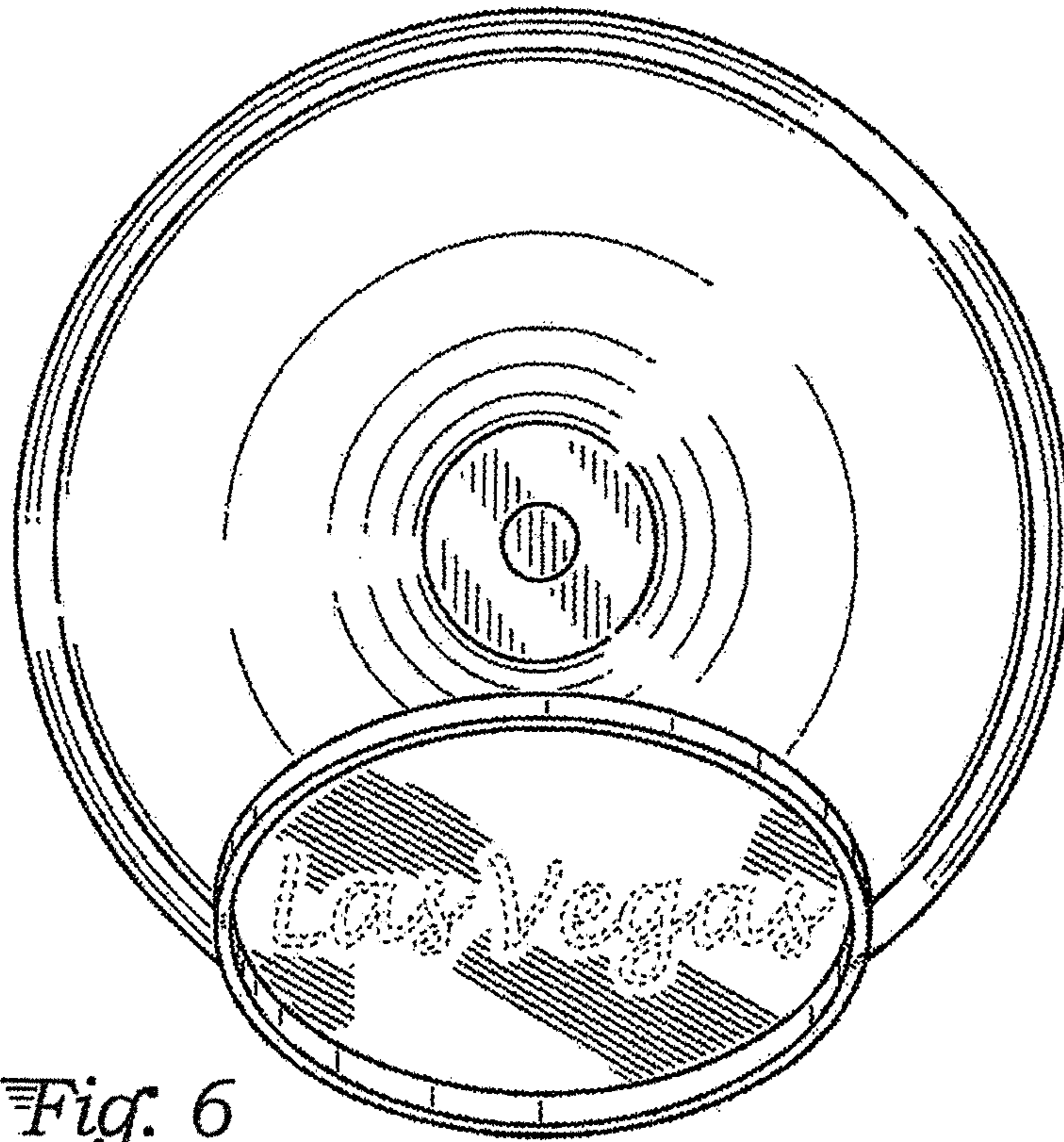


Fig. 6

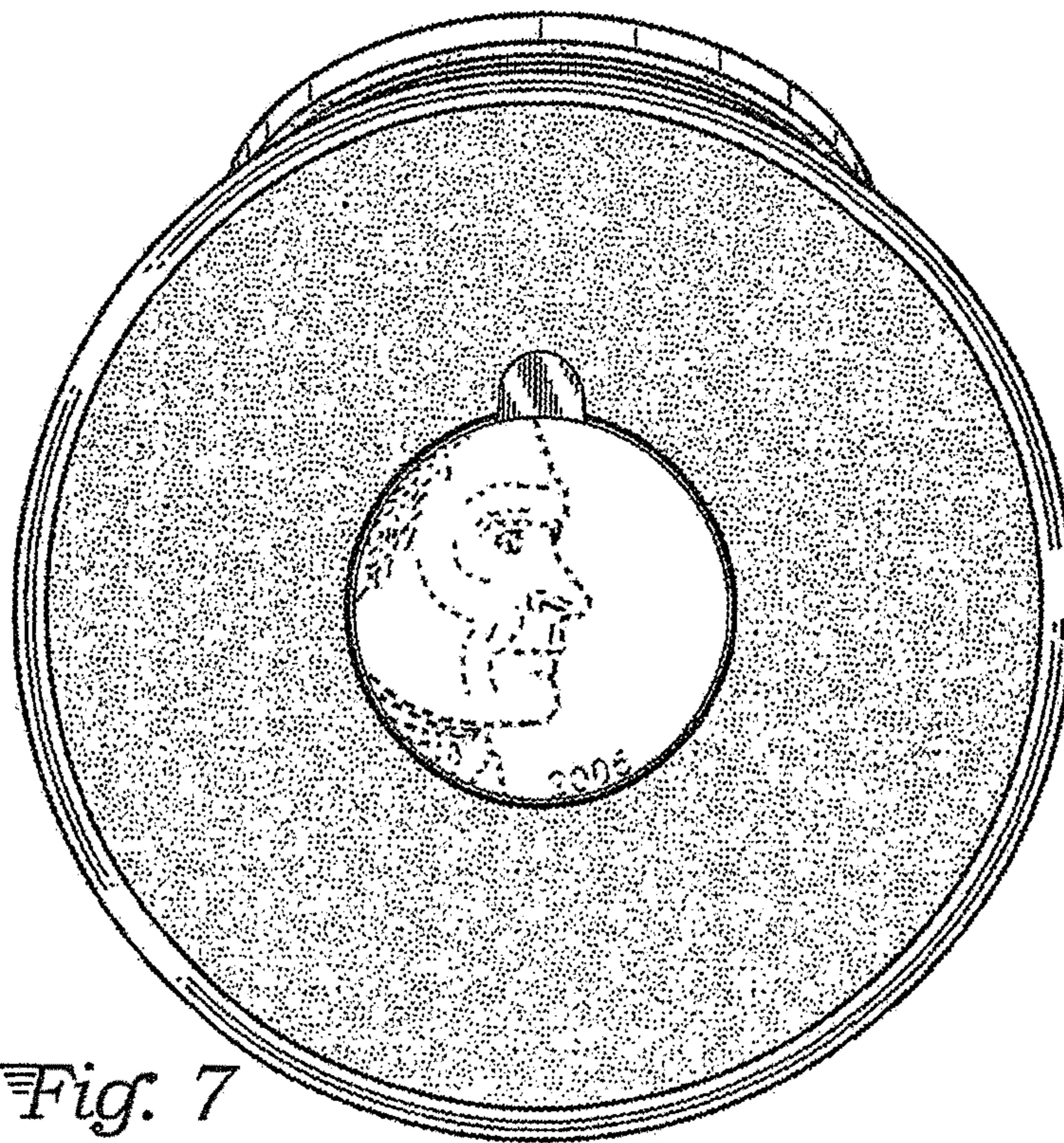


Fig. 7