



US00D808296S

(12) **United States Design Patent** (10) **Patent No.:** **US D808,296 S**
Hendifar et al. (45) **Date of Patent:** **** Jan. 23, 2018**

(54) **CASE**
(71) Applicant: **APPARATUS LLC**, New York, NY (US)
(72) Inventors: **Gabriel Hendifar**, Rhinebeck, NY (US); **Jeremy R. Anderson**, Rhinebeck, NY (US)
(73) Assignee: **APPARATUS LLC**, New York, NY (US)
(**) Term: **15 Years**
(21) Appl. No.: **29/579,198**
(22) Filed: **Sep. 28, 2016**
(51) **LOC (11) Cl.** **11-02**
(52) **U.S. Cl.**
USPC **D11/131; D11/184**
(58) **Field of Classification Search**
USPC D11/131, 131.1, 143, 144, 152, 157, 79, D11/81, 184; D19/34.1-34.3, 95-97; D3/201, 203.1, 203.2, 206, 212, 226, 229, D3/230, 265, 266, 271.1, 314, 316; D24/104, 227; D9/600, 428; D7/601, D7/628, 629
See application file for complete search history.

D481,532 S * 11/2003 Sayers D3/203.1
D518,287 S * 4/2006 Margiotta D3/203.3
D518,524 S * 4/2006 Chue D19/86
D531,724 S * 11/2006 Gessert D24/133
D538,031 S * 3/2007 Costa D3/203.1
D546,129 S * 7/2007 Sergianni D7/601
D589,429 S * 3/2009 Harrison D12/316
D658,538 S * 5/2012 Korzeniowski D11/143
D683,595 S * 6/2013 Ellerstorfer D7/629
D731,178 S * 6/2015 Gorouvein D3/265

OTHER PUBLICATIONS

Block by Apparatus, available Dec. 4, 2016, [online], [site visited Oct. 26, 2017]. Available from internet, <URL: <https://web.archive.org/web/20161204184411/http://apparatusstudio.com/products/block/> (Year: 2016).*

(Continued)

Primary Examiner — Cathron C Brooks
Assistant Examiner — W. A. Teddy Falloway
(74) *Attorney, Agent, or Firm* — Gottlieb, Rackman & Reisman, P.C.

(57) **CLAIM**

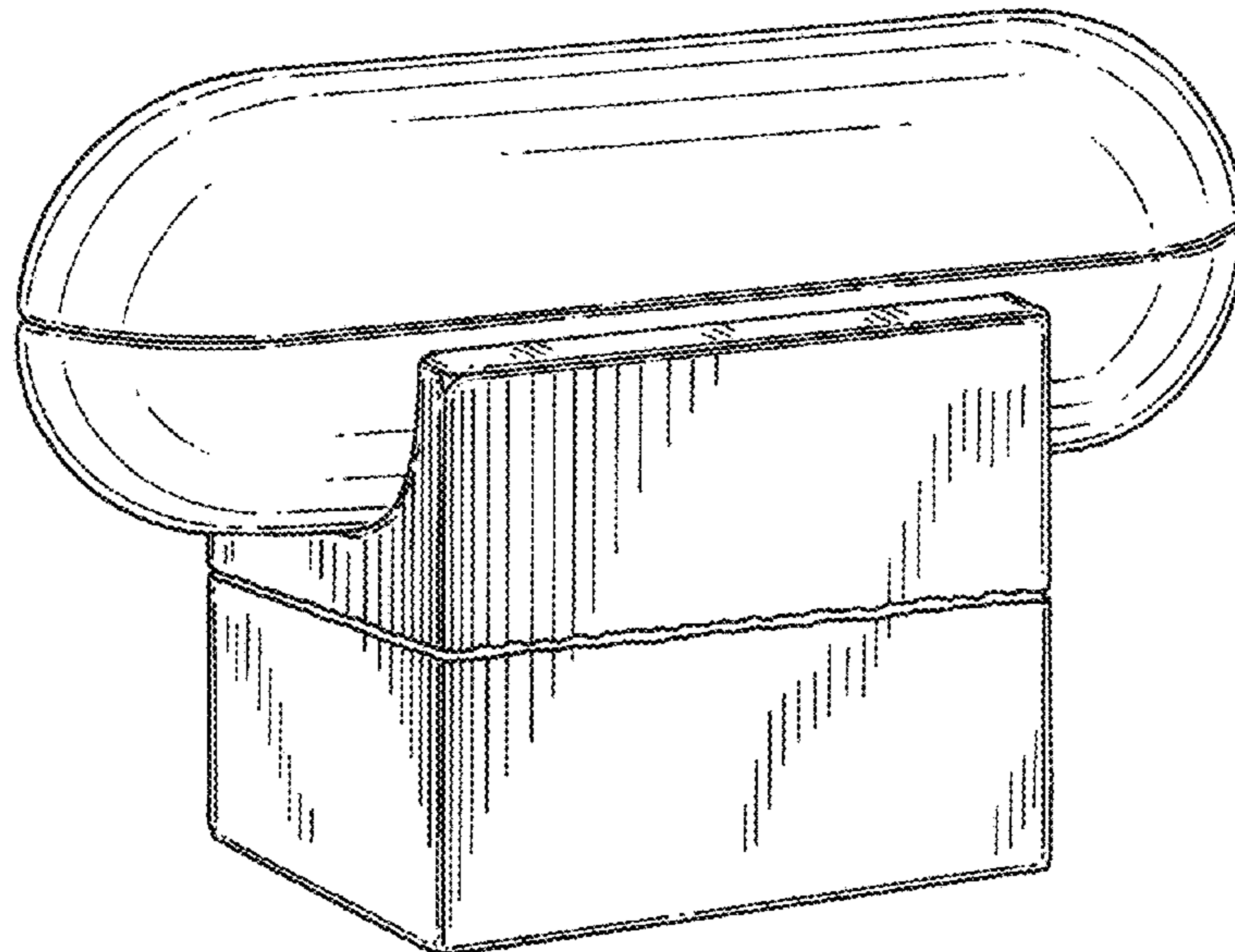
The ornamental design for a case, as shown and described.

DESCRIPTION

FIG. 1 is a perspective view showing my new design; FIG. 2 is a top plan view thereof; FIG. 3 is a rear elevational view thereof; FIG. 4 is a side elevational view thereof; and, FIG. 5 is a bottom plan view thereof. The case is shown with a symbolic break in its height, represented by jagged lines. The appearance of any portion of the article between the jagged lines forms no part of the claimed design.

1 Claim, 2 Drawing Sheets

(56) **References Cited**
U.S. PATENT DOCUMENTS
D223,314 S * 4/1972 Goldfeder D3/200
D253,548 S * 11/1979 Gruber 422/126
D356,281 S * 3/1995 Lee D11/131
D365,517 S * 12/1995 Bedford D9/418
D385,213 S * 10/1997 McAllister D11/156
D435,230 S * 12/2000 Spiegel D11/143
D451,674 S * 12/2001 Leins D3/206
D474,150 S * 5/2003 Amago D13/110



(56)

References Cited

OTHER PUBLICATIONS

“Capsule—Hermes Addict”, available 2017, [online], [site visited Oct. 28, 2017]. Available from internet, <URL: <https://www.artsy.net/artwork/erik-salin-capsule-hermes-addict-big> (Year: 2017).*

Beats Pill XL (via engadget.com), available Mar. 1, 2014, [online], [site visited Oct. 28, 2017]. Available from internet, <URL: <https://www.engadget.com/2014/03/01/beats-pill-xl-review/> (Year: 2014).*

“Capsule-shaped Drop XL is self-sustainable cabin for travelers” (via homecrux.com), available Apr. 17, 2014, [online], [site visited Oct. 28, 2017]. Available from internet, <URL: <http://www.homecrux.com/2014/04/17/13625/capsule-shaped-drop-xl-self-sustainable-cabin-travelers.html> (Year: 2014).*

“Capsule”, 2009 by Jessica Lloyd-Jones, available Nov. 10, 2016, [online], [site visited Oct. 28, 2017]. Available from internet, <URL: <https://web.archive.org/web/20161110145213/http://www.jessicalloyd-jones.com/ruthin-craft-centre> (Year: 2016).*

Oakley Carbon Fiber Men’s Storage Case, available May 20, 2009, [online], [site visited Oct. 28, 2017]. Available from internet, <URL: https://www.amazon.com/Oakley-Storage-Fashion-Sunglass-Accessories/dp/B0025X1Y4G/ref=pd_sim_309_10?_encoding=UTF8&psc=1&refRID=C6M7AGBYVJ0MX5P3J6GS (Year: 2009).*

Vintage Fire Engine Red Retro 1960’s Capsule Metal Kitchen Bread Bin, available Apr. 5, 2016, [online], [site visited Oct. 28, 2017]. Available from internet, <URL: <https://www.amazon.com/Vintage-Engine-Capsule-Kitchen-Basket/dp/B01DV1FUOK> (Year: 2016).*

Large Handmade Dough Bowl, available Nov. 29, 2016, [online], [site visited Oct. 28, 2017]. Available from internet, <URL: <https://www.decorsteals.com/european-dough-bowl.html> (Year: 2016).*

Hotel Collection Serveware, Bone China Oval Serving Bowl, available Oct. 28, 2017, [online], [site visited Oct. 28, 2017]. Available from internet, <URL: <https://www.macys.com/shop/product/hotel-collection-serveware-bone-china-oval-serving-bowl?ID=699471> (Year: 2017).*

* cited by examiner

FIG. 1

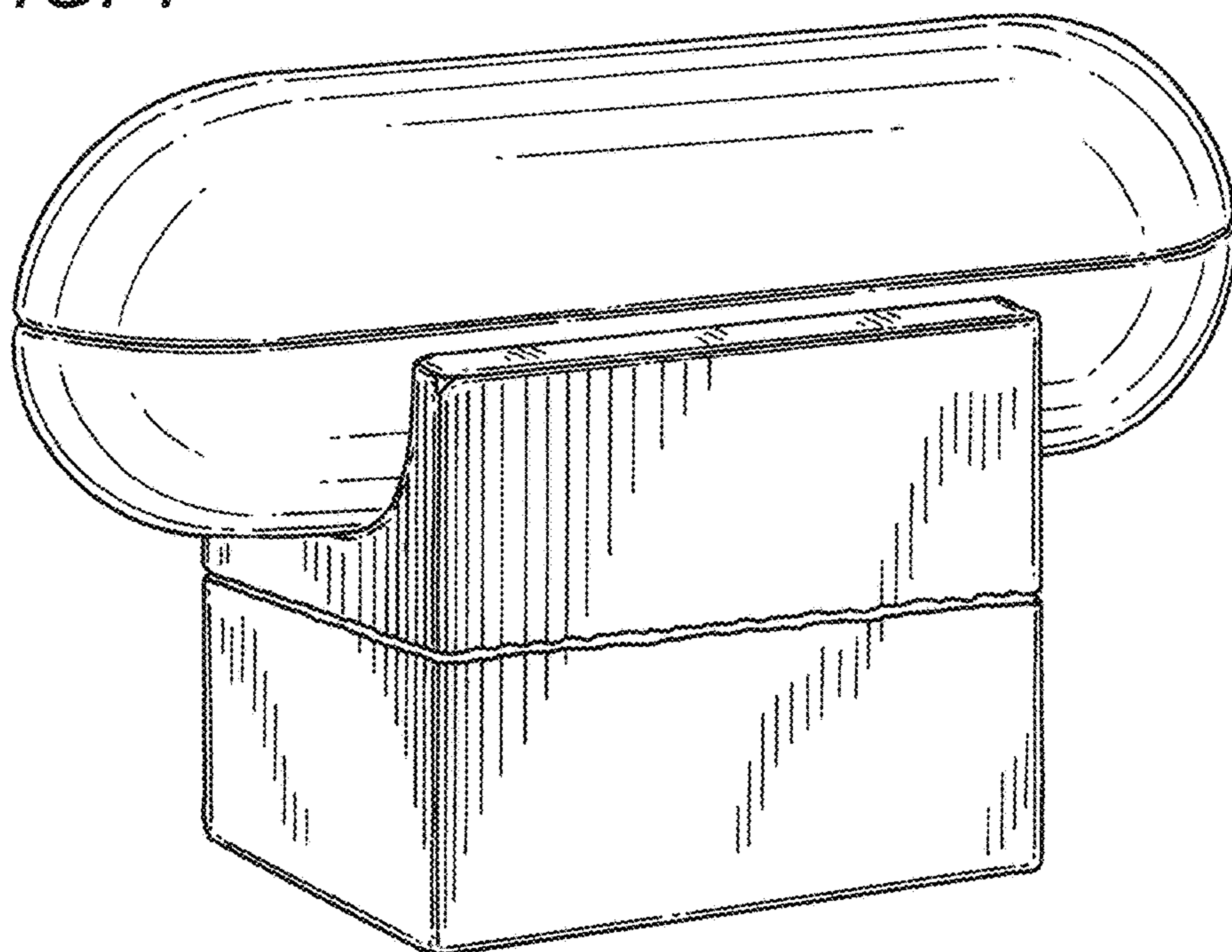
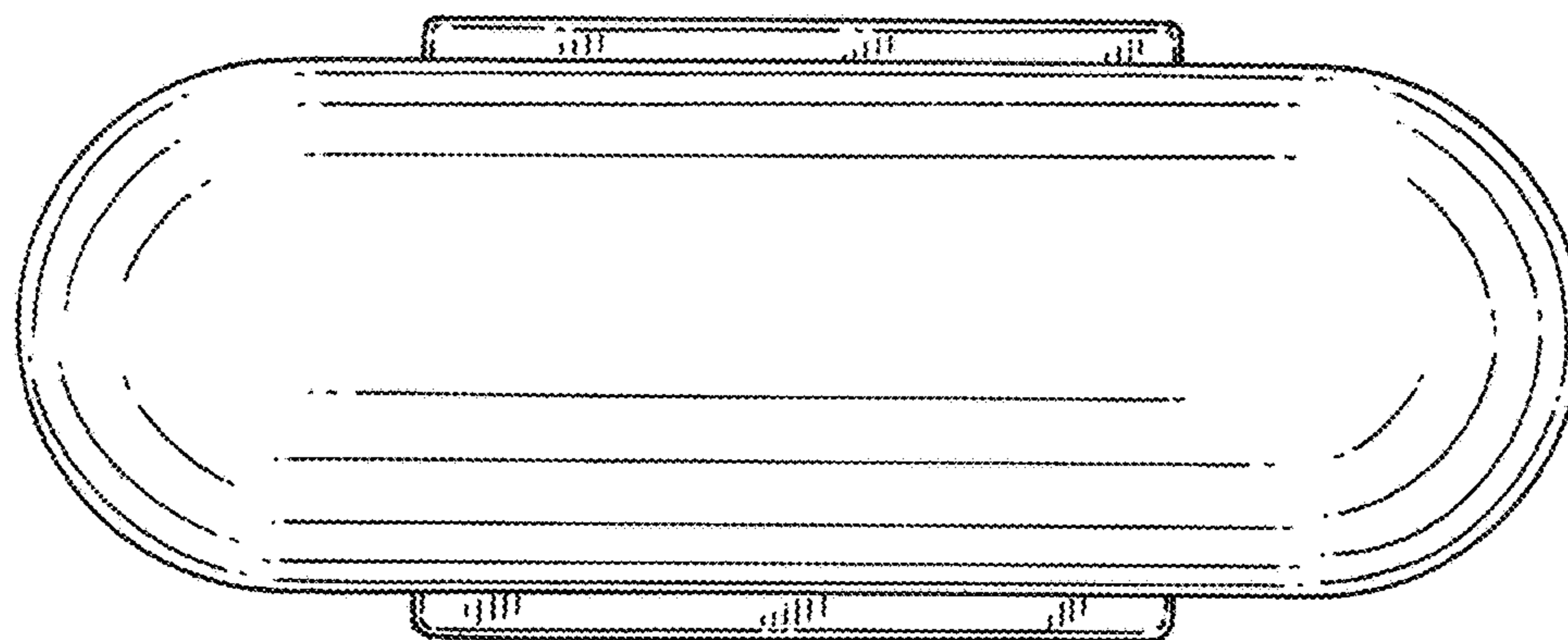


FIG. 2



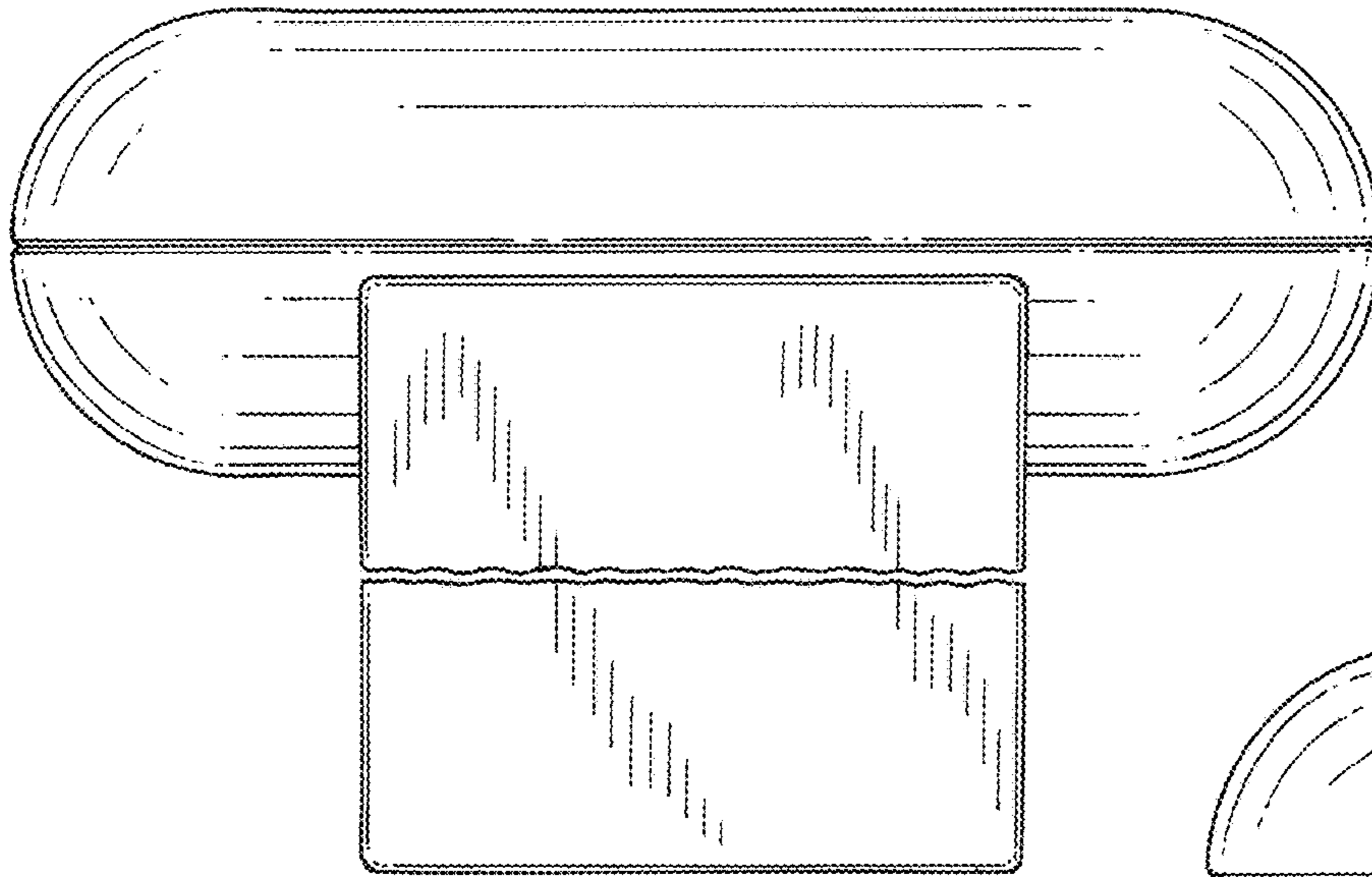


FIG. 3

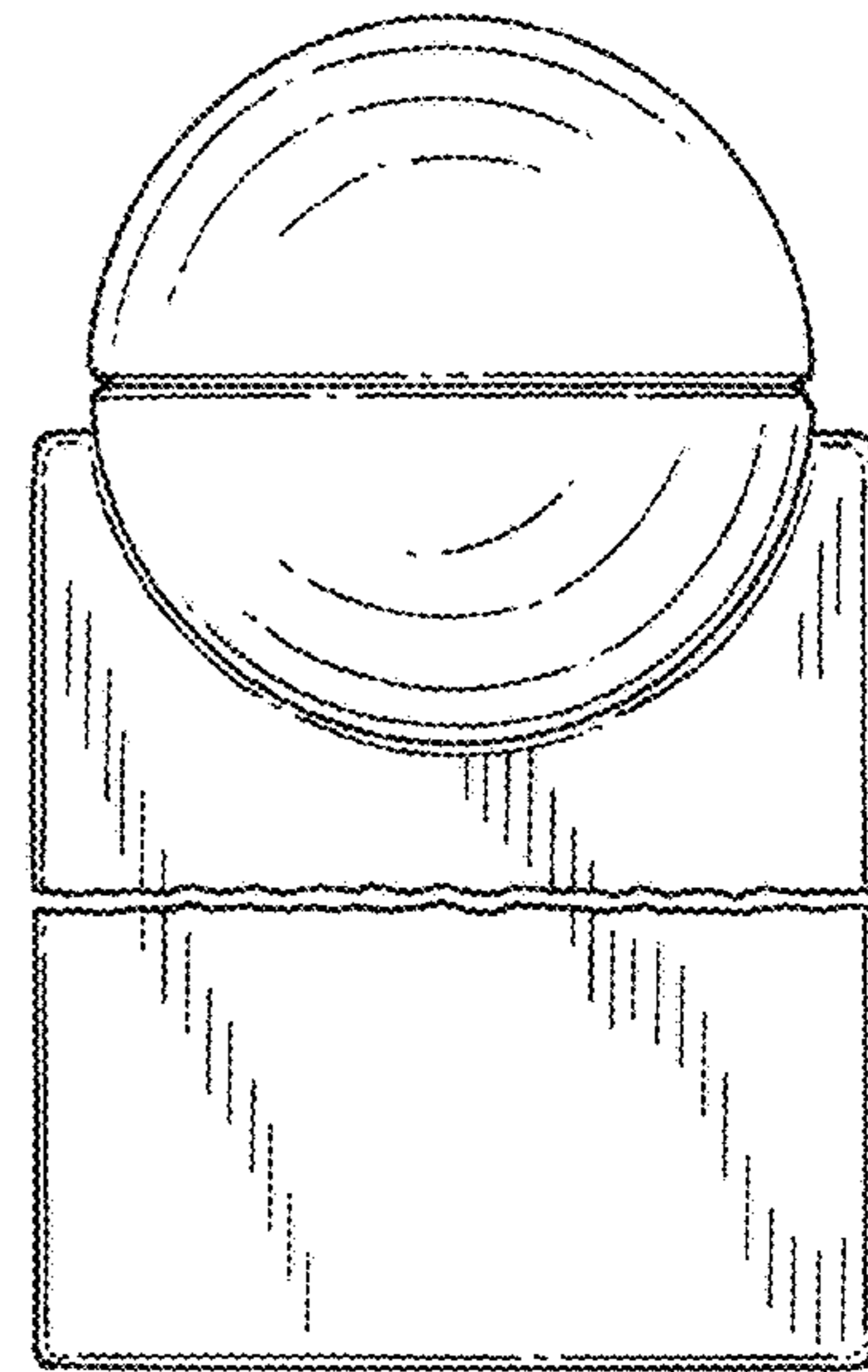


FIG. 4

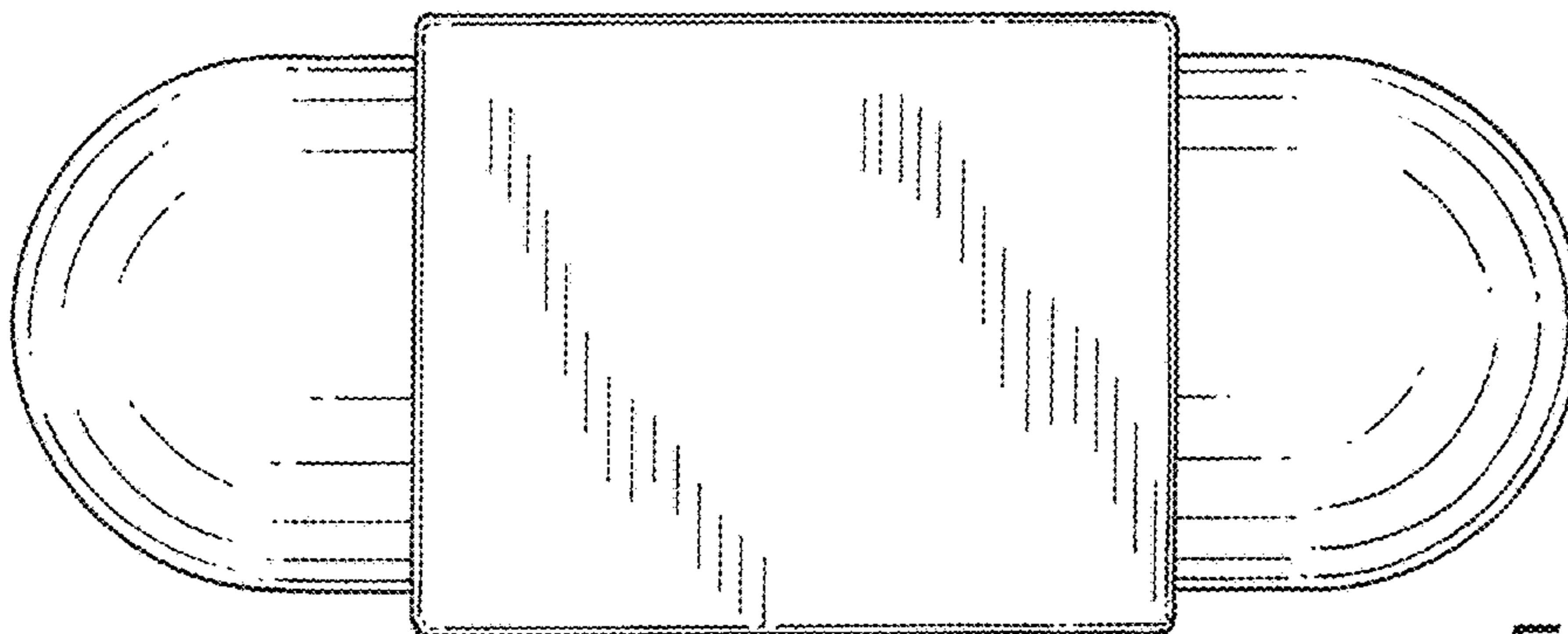


FIG. 5