



US00D808293S

(12) **United States Design Patent** (10) **Patent No.:** **US D808,293 S**
Lenzmeier et al. (45) **Date of Patent:** **** Jan. 23, 2018**

- (54) **BULLET SHAPED DIFFUSER PENDANT**
- (71) Applicants: **Lynne Carol Lenzmeier**, Kimball, MN (US); **Terrance Allan Metzger**, Kimball, MN (US)
- (72) Inventors: **Lynne Carol Lenzmeier**, Kimball, MN (US); **Terrance Allan Metzger**, Kimball, MN (US)
- (73) Assignee: **Earth in Wire**, Kimball, MN (US)

286,545 A * 10/1883 Knapp A44C 25/001
428/28
D46,755 S * 12/1914 Sneden D9/680
1,899,165 A * 2/1933 Rivet A44C 15/002
63/1.15
D111,535 S * 9/1938 Florman 70/459
D129,716 S * 9/1941 Trollen 206/232
D146,257 S * 1/1947 Erickson D26/38
4,023,712 A * 5/1977 Babiak A44C 25/002
222/175
D252,195 S * 6/1979 Keys D10/69
D252,804 S * 9/1979 Lee D11/73
D277,559 S * 2/1985 Mackie D11/6
(Continued)

(**) Term: **15 Years**

(21) Appl. No.: **29/571,203**

(22) Filed: **Jul. 15, 2016**

(51) **LOC (11) Cl.** **11-01**

(52) **U.S. Cl.**
USPC **D11/81; D11/73**

(58) **Field of Classification Search**
USPC D11/79-86, 43, 44, 45, 1, 2, 3, 48, 73,
D11/95, 99; 63/1.11, 1.14, 1.15, DIG. 2;
D9/680, 715; D23/362, 366;
D3/207-211, 215; D22/116
CPC A44C 1/00; A44C 3/00; A44C 5/0007;
A44C 5/0015; A44C 15/00; A44C
15/001; A44C 15/0015; A44C 15/002;
A44C 15/0025; A44C 15/003; A44C
15/005; A44C 15/0055; A44C 15/006;
A44C 25/00; A44C 25/001; A44C
25/002; A44C 25/004; A44C 25/005;
A44C 25/007

See application file for complete search history.

(56) **References Cited**

U.S. PATENT DOCUMENTS

D11,357 S * 8/1879 Ludlum D11/79
D11,457 S * 10/1879 Aikin D11/79
D12,436 S * 8/1881 Fairchild D11/79

OTHER PUBLICATIONS

[Online] "Bullet Diffuser Necklace" <http://www.earthinwire.com/product-page/bullet-diffuser-necklace>. Retrieved Aug. 31, 2017.*

(Continued)

Primary Examiner — Melanie Pellegrini
(74) *Attorney, Agent, or Firm* — Winthrop & Weinstine, P.A.

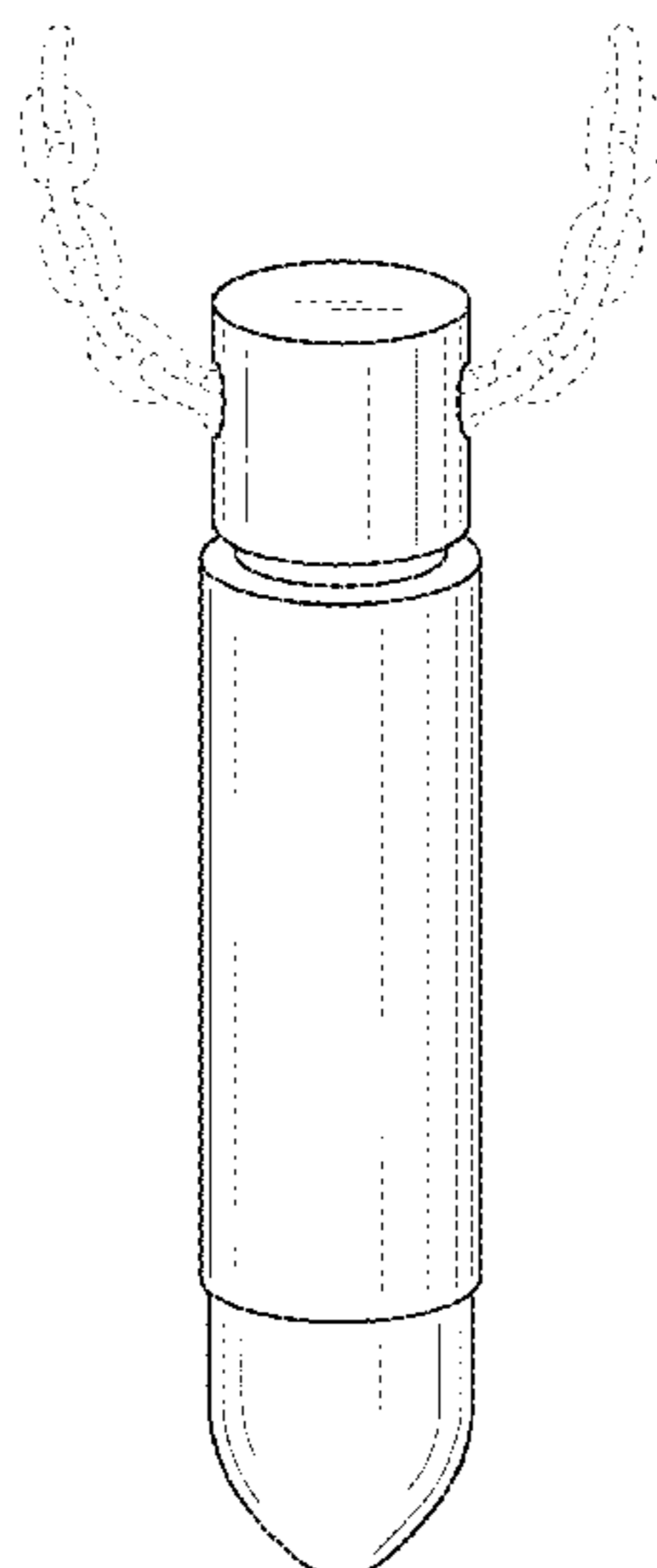
(57) **CLAIM**

The ornamental design for a bullet shaped diffuser pendant, as shown and described.

DESCRIPTION

FIG. 1 is an isometric view of a bullet shaped diffuser pendant;
FIG. 2 is a front view thereof;
FIG. 3 is a side view thereof;
FIG. 4 is a top view thereof;
FIG. 5 is a bottom view thereof; and,
FIG. 6 is an isometric view thereof shown in an open configuration with the cap portion and container portion separate.
The broken lines showing a chain in FIGS. 1 and 6 represent environment and form no part of the claimed design.

1 Claim, 5 Drawing Sheets



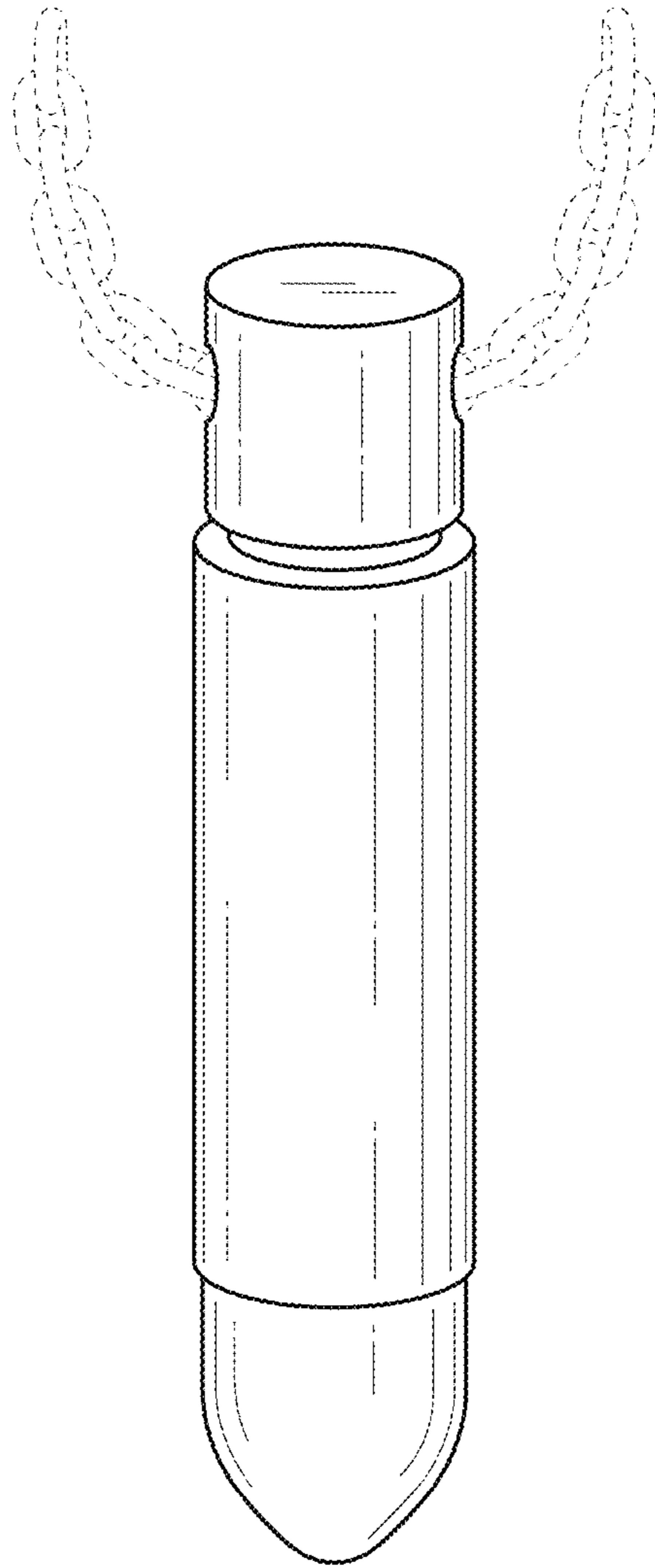


Fig. 1

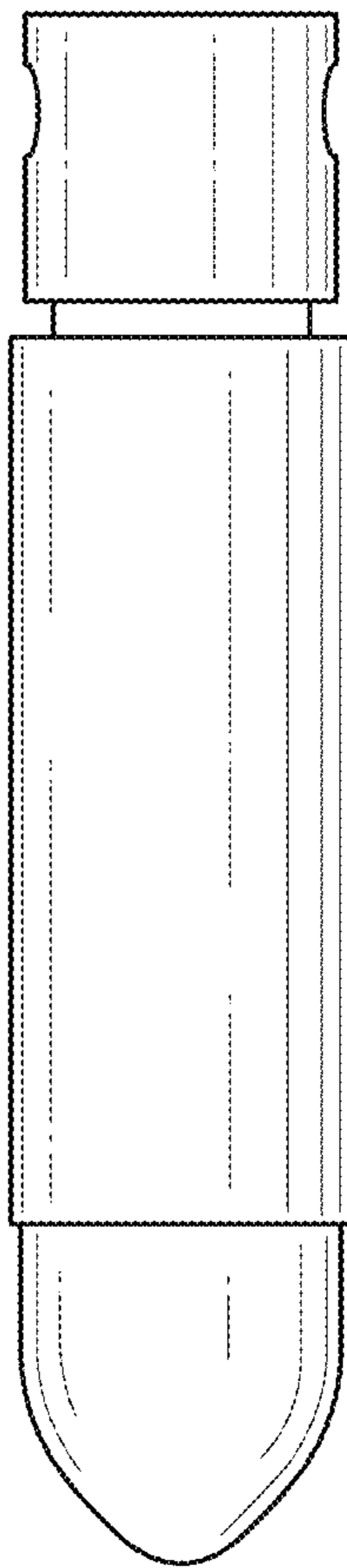


Fig. 2

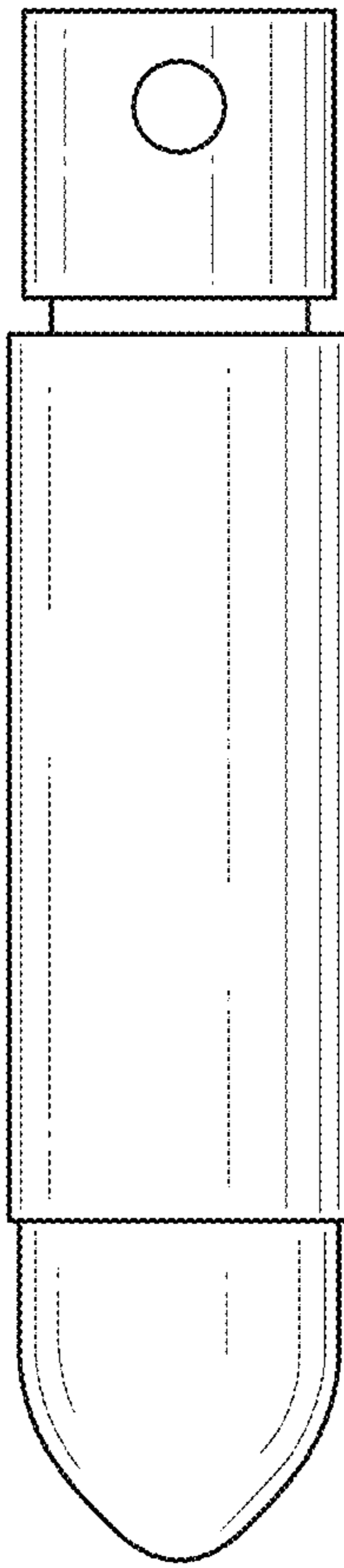


Fig. 3

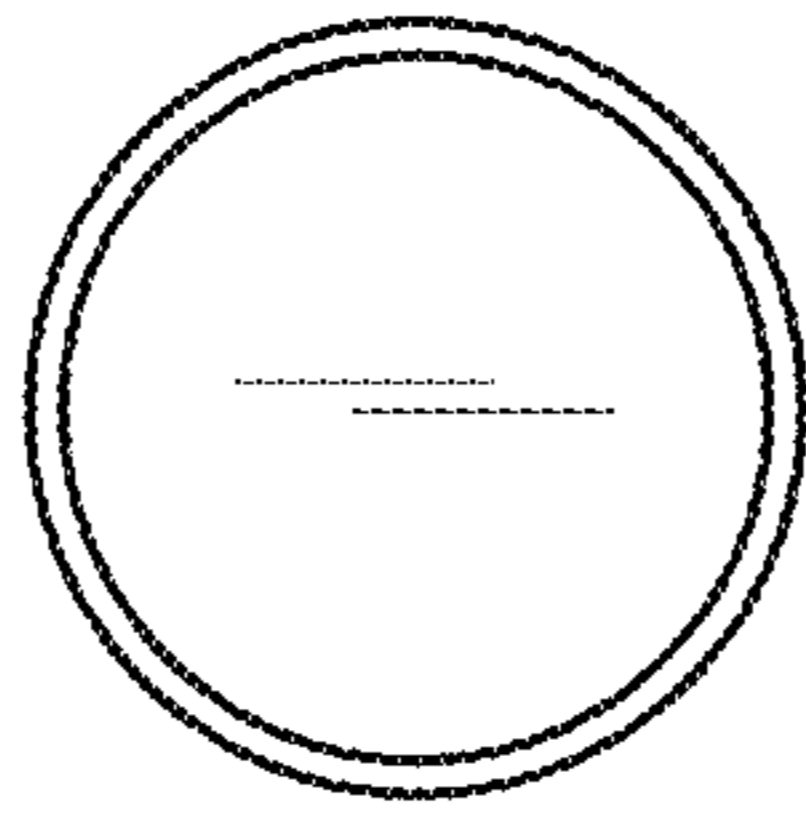


Fig. 4

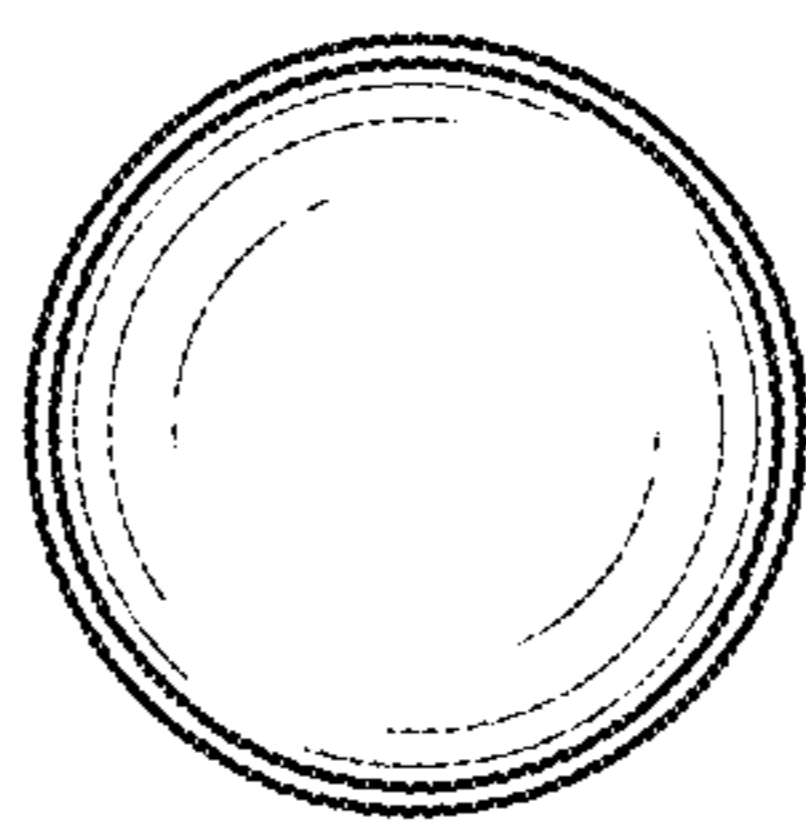


Fig. 5

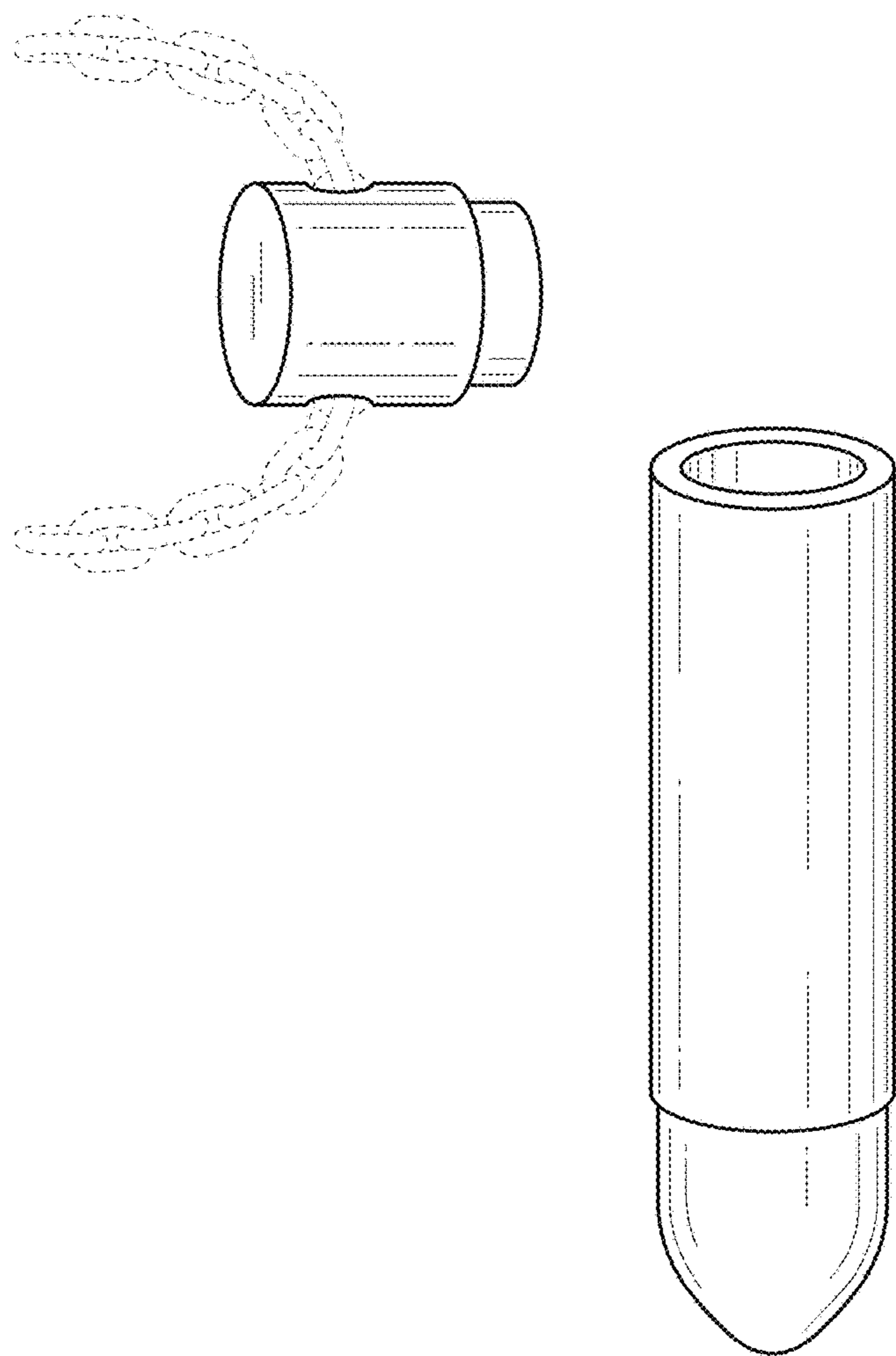


Fig. 6