



US00D808286S

(12) **United States Design Patent**
O'Neill

(10) **Patent No.:** **US D808,286 S**
(45) **Date of Patent:** **** Jan. 23, 2018**

(54) **CROSS LEVEL**

(71) Applicant: **American Direct Sales, LLC,**
Merrillville, IN (US)
(72) Inventor: **Tim S. O'Neill,** Merrillville, IN (US)
(73) Assignee: **American Direct Sales, LLC,**
Merrillville, IN (US)
(**) Term: **15 Years**
(21) Appl. No.: **29/570,537**

(22) Filed: **Jul. 8, 2016**

(51) **LOC (11) Cl.** **10-04**

(52) **U.S. Cl.**
USPC **D10/69**

(58) **Field of Classification Search**
USPC D10/69
CPC . G01C 9/00; G01C 9/005; G01C 9/02; G01C
9/04; G01C 9/06; G01C 9/08; G01C
9/10; G01C 9/12; G01C 9/14; G01C
9/16; G01C 9/18; G01C 9/20; G01C
9/22; G01C 9/24; G01C 9/26; G01C
9/28; G01C 9/30; G01C 9/32; G01C
9/34; G01C 9/36; G01C 2009/005; G01C
2009/062; G01C 2009/064; G01C
2009/066; G01C 2009/068; G01C
2009/102; G01C 2009/105; G01C
2009/107; G01C 2009/182; G01C
2009/185; G01C 2009/187

See application file for complete search history.

(56) **References Cited**

U.S. PATENT DOCUMENTS

D138,392	S	*	8/1944	Bernard	D10/69
D343,131	S	*	1/1994	Self	D10/69
5,881,468	A	*	3/1999	Baumann	G01C 9/28 33/383
D416,818	S	*	11/1999	Olson	D10/69
D429,171	S	*	8/2000	Bernal Vazquez	D10/69
6,748,665	B1	*	6/2004	Samp	G01C 9/32 33/348.2
D500,691	S	*	1/2005	Fesmire	D10/69
D544,382	S	*	6/2007	Bowers	D10/69
7,370,428	B2	*	5/2008	Decker, Jr.	G01C 9/06 33/366.11

* cited by examiner

Primary Examiner — Antoine Duval Davis
(74) *Attorney, Agent, or Firm* — Botkin & Hall, LLP

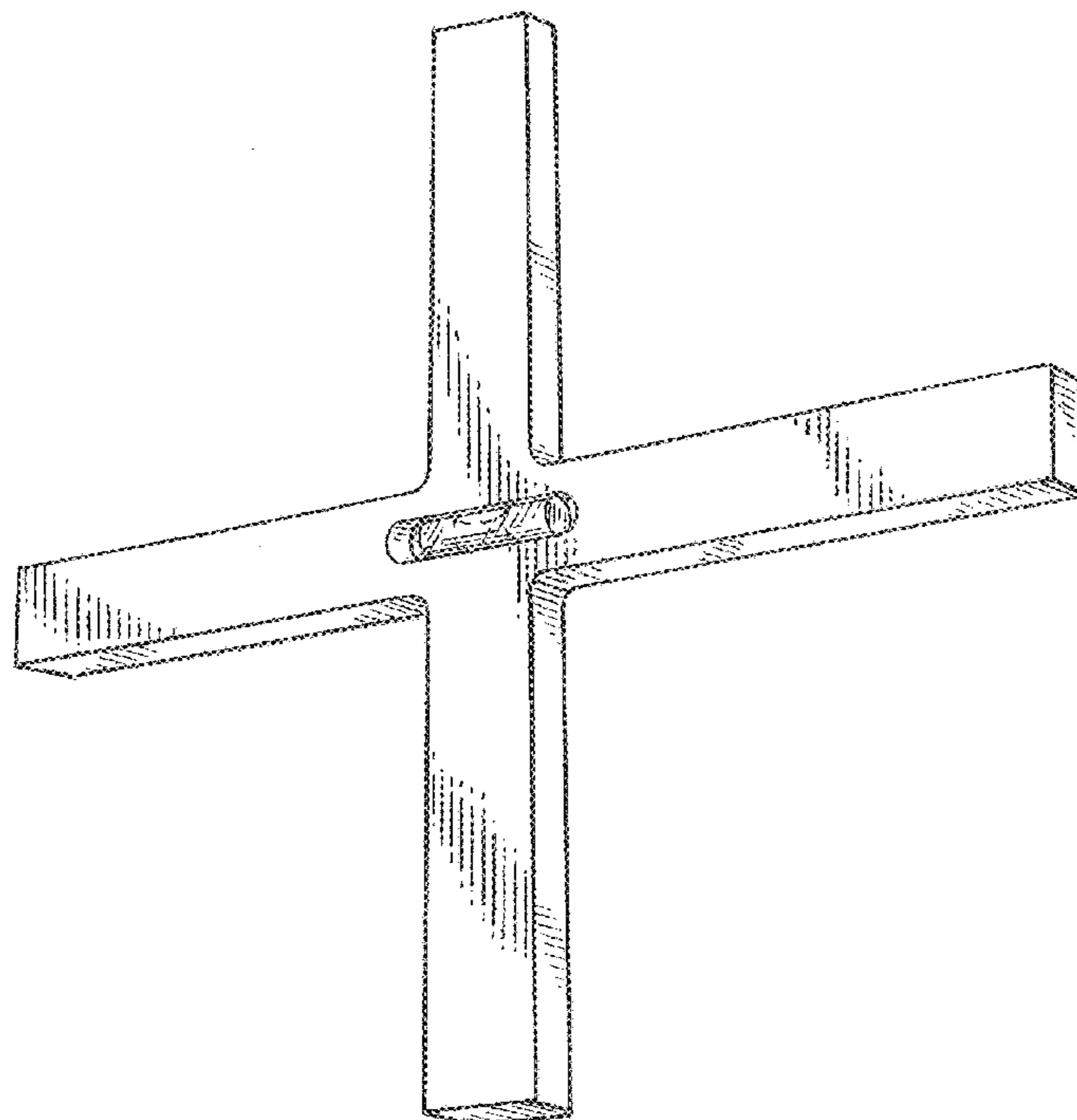
(57) **CLAIM**

The ornamental design for a cross level, as shown and described.

DESCRIPTION

FIG. 1 is an isometric view of the cross level;
FIG. 2 is a front view of the cross level in FIG. 1, the rear view being identical; and,
FIG. 3 is a top view of the cross level, the left side, right side, and bottom side views being identical.

1 Claim, 2 Drawing Sheets



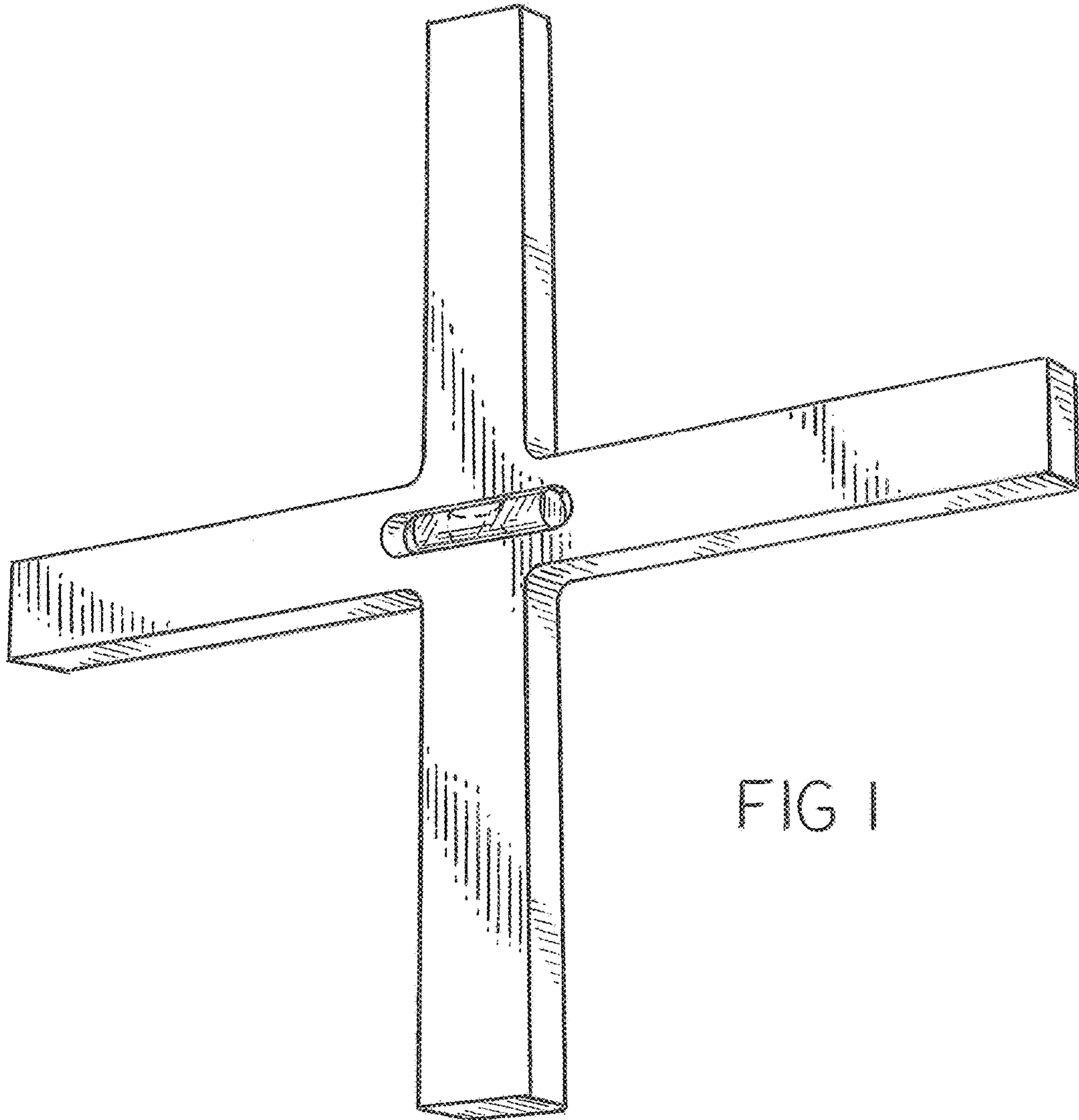


FIG 1

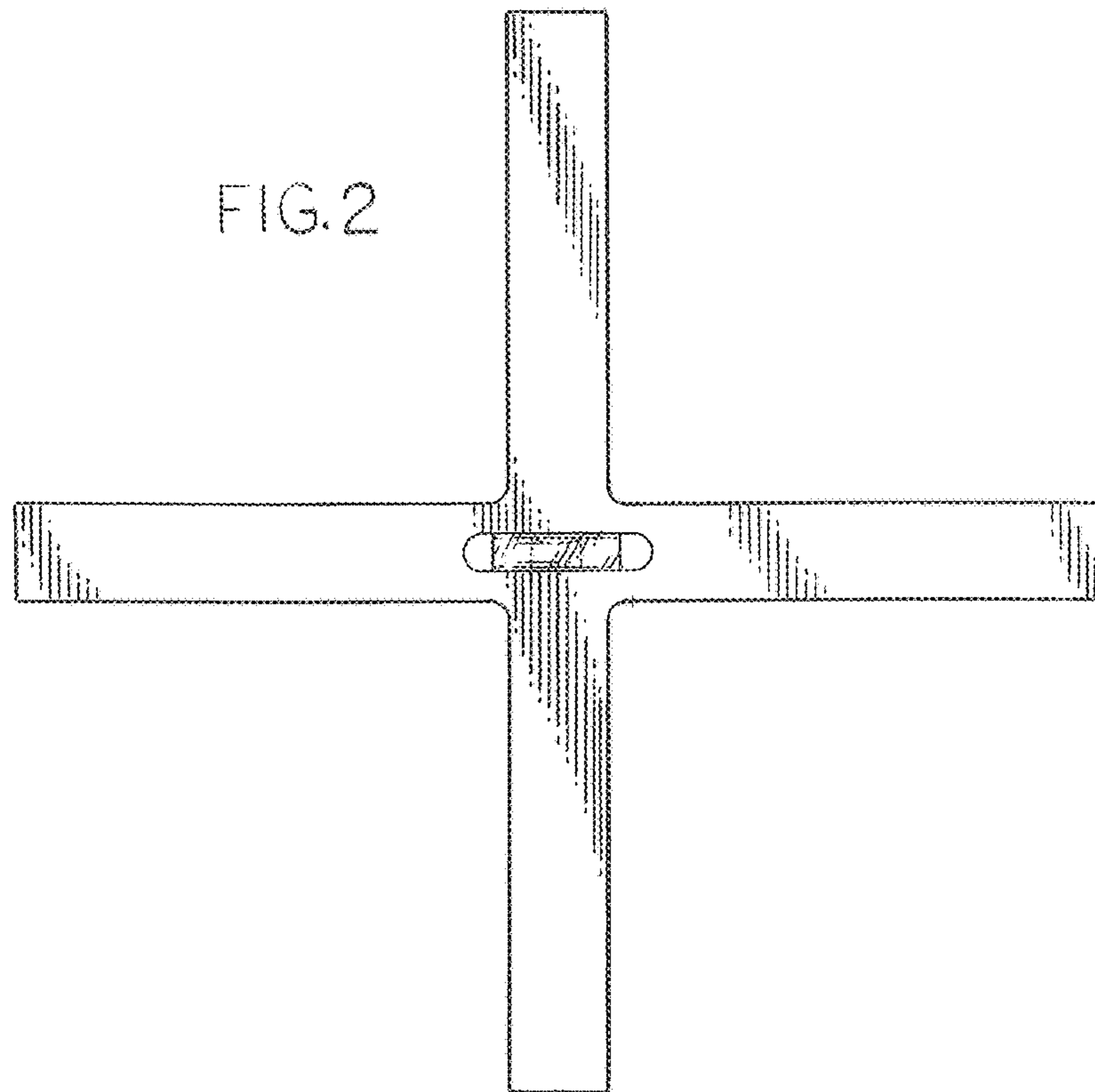


FIG. 3