



US00D808283S

(12) **United States Design Patent**
Ilhan

(10) **Patent No.:** **US D808,283 S**

(45) **Date of Patent:** **** Jan. 23, 2018**

(54) **CONTOURED RECEPTACLE FOR VARIOUS OBJECTS**

(71) Applicant: **Salih Berk Ilhan**, Astoria, NY (US)

(72) Inventor: **Salih Berk Ilhan**, Astoria, NY (US)

(**) Term: **15 Years**

(21) Appl. No.: **29/578,981**

(22) Filed: **Sep. 27, 2016**

(51) **LOC (11) Cl.** **09-03**

(52) **U.S. Cl.**
USPC **D9/737; D11/157**

(58) **Field of Classification Search**
USPC D9/600, 649, 737, 759, 760, 749, 499;
D11/131, 132, 133, 141-143, 149, 157,
D11/184; D19/101, 102, 107, 75, 81-85;
D6/674, 678, 678.2, 683, 683.1; 206/214,
206/224, 371; 211/69, 69.1, 69.2;
40/905
CPC B25H 3/003; A45C 11/34; B29C 47/0028;
B29L 2031/60; B43K 23/04; B43M
99/008

See application file for complete search history.

(56) **References Cited**

U.S. PATENT DOCUMENTS

| | | | | |
|---------------|---------|------------|-------|------------------------|
| D51,466 S * | 11/1917 | Schafer | | D9/737 |
| 3,593,856 A * | 7/1971 | Zander | | A45C 11/34 211/69.5 |
| D254,853 S * | 4/1980 | Grunstad | | D19/23 |
| D293,943 S * | 1/1988 | Wadsworth | | D28/76 |
| D318,332 S * | 7/1991 | Allen | | D24/229 |
| D325,934 S * | 5/1992 | Ramljak | | D11/147 |
| D326,113 S * | 5/1992 | Galante | | D19/75 |
| 5,170,892 A * | 12/1992 | Fromkin | | A47B 47/00 211/184 |
| D357,281 S * | 4/1995 | van Eijben | | D19/77 |
| D359,126 S * | 6/1995 | Hovatter | | D24/227 |
| D359,635 S * | 6/1995 | Muntener | | D6/674 |
| D360,321 S * | 7/1995 | Wang | | D6/682.2 |

| | | | | |
|---------------|---------|----------|-------|------------------------|
| 5,605,389 A * | 2/1997 | Kelly | | A47B 96/201 206/523 |
| D395,178 S * | 6/1998 | Muntener | | D6/674 |
| D407,013 S * | 3/1999 | Armondo | | D9/760 |
| D417,239 S * | 11/1999 | Sullivan | | D19/82 |

(Continued)

OTHER PUBLICATIONS

Manhattan Shaped Cutting Board (via aheirloom.com), available Aug. 19, 2015, [online], [site visited Oct. 28, 2017]. Available from internet, <URL: <https://web.archive.org/web/20150819073530/https://aheirloom.com/products/manhattan-shaped-cutting-board> (Year: 2015).*

(Continued)

Primary Examiner — Cathron C Brooks
Assistant Examiner — W. A. Teddy Falloway
(74) *Attorney, Agent, or Firm* — Gokalp Bayramoglu

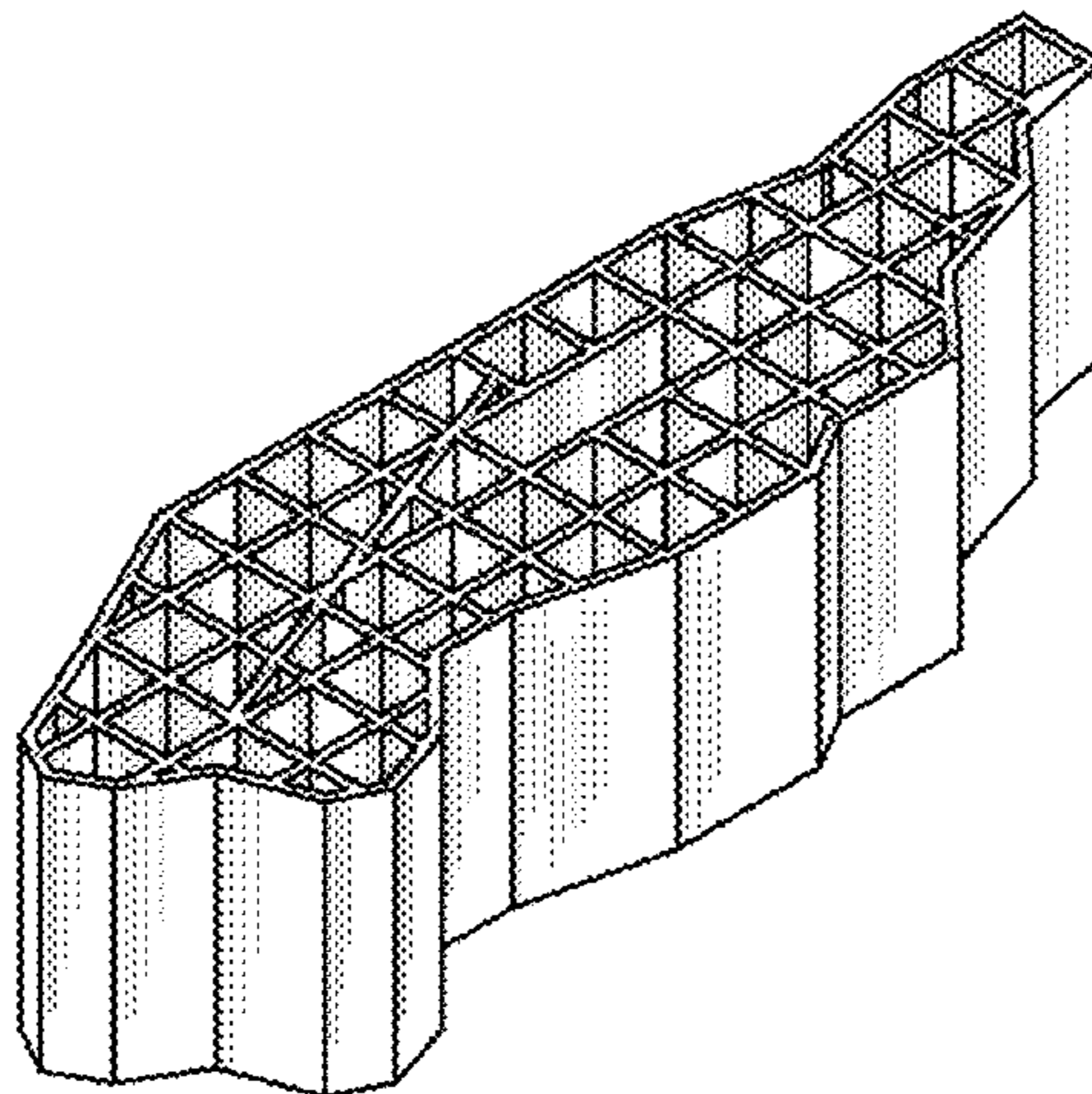
(57) **CLAIM**

The ornamental design for a contoured receptacle for various objects, as shown and described.

DESCRIPTION

FIG. 1 is a perspective view of a contoured receptacle for various objects showing the new design;
FIG. 2 is a front view of the contoured receptacle for various objects;
FIG. 3 is a back view of the contoured receptacle for various objects;
FIG. 4 is a top view of the contoured receptacle for various objects;
FIG. 5 is a bottom view of the contoured receptacle for various objects;
FIG. 6 is a left side view of the contoured receptacle for various objects; and,
FIG. 7 is a right side view of the contoured receptacle for various objects.

1 Claim, 7 Drawing Sheets



(56)

References Cited

U.S. PATENT DOCUMENTS

D458,639 S * 6/2002 Anderson D19/82
 6,463,647 B1 * 10/2002 Dannoux B01L 3/5085
 220/507
 6,640,981 B2 * 11/2003 Lafond B01L 9/06
 206/443
 D525,411 S * 7/2006 Haro D1/106
 D537,653 S * 3/2007 Liu D8/71
 D540,711 S * 4/2007 Howard D11/155
 D586,153 S * 2/2009 Maly D6/683.1
 D666,419 S * 9/2012 Riedesel D3/313
 8,371,444 B1 * 2/2013 Huang B25H 3/003
 206/373
 8,505,720 B2 * 8/2013 Huang B25H 3/00
 206/349
 D722,459 S * 2/2015 Schluetter D6/675.3
 D753,423 S * 4/2016 Love D6/678.2
 D783,421 S * 4/2017 Van Belle D9/760
 D799,247 S * 10/2017 Arrington-Brown D6/675.1

OTHER PUBLICATIONS

Manhattan Shaped coffee table (via 17apart.com), available Feb. 23, 2015, [online], [site visited Oct. 28, 2017]. Available from internet,

<URL: <http://www.17apart.com/2015/02/weekend-basics-nyc-roundup.html> (Year: 2015).*

Marker caddy (via conceptart.org), available Feb. 18, 2009, [online], [site visited Oct. 28, 2017]. Available from internet, <URL: <http://www.conceptart.org/forums/showthread.php/144639-where-can-i-get-a-stand-for-my-prismacolor-markers> (Year: 2009).*

L'emouchet Premium Marker Holder, available Sep. 5, 2017, [online], [site visited Oct. 28, 2017]. Available from internet, <URL: https://www.amazon.com/Lémouchet-Premium-Acrylic-Soucolor-Huhuhero/dp/B071P13FGQ/ref=cm_cr_arp_d_product_top?ie=UTF8 (Year: 2017).*

“The Block” (via From the Pen Cup), available Jul. 10, 2013, [online], [site visited Oct. 28, 2017]. Available from internet, <URL: <https://fromthepencup.wordpress.com/2013/07/10/the-solution-the-block-by-mike-dudek/> (Year: 2013).*

USA Bookshelf (via creativeroots.org), available Feb. 4, 2009, [online], [site visited Oct. 29, 2017]. Available from internet, <URL: <http://creativeroots.org/2009/04/usa-bookshelf/> (Year: 2009).*

Bookshelf in shape of Africa (via pinterest.com), available Oct. 29, 2017, [online], [site visited Oct. 29, 2017]. Available from internet, <URL: <https://www.pinterest.com/pin/536843218056507506> (Year: 2017).*

* cited by examiner

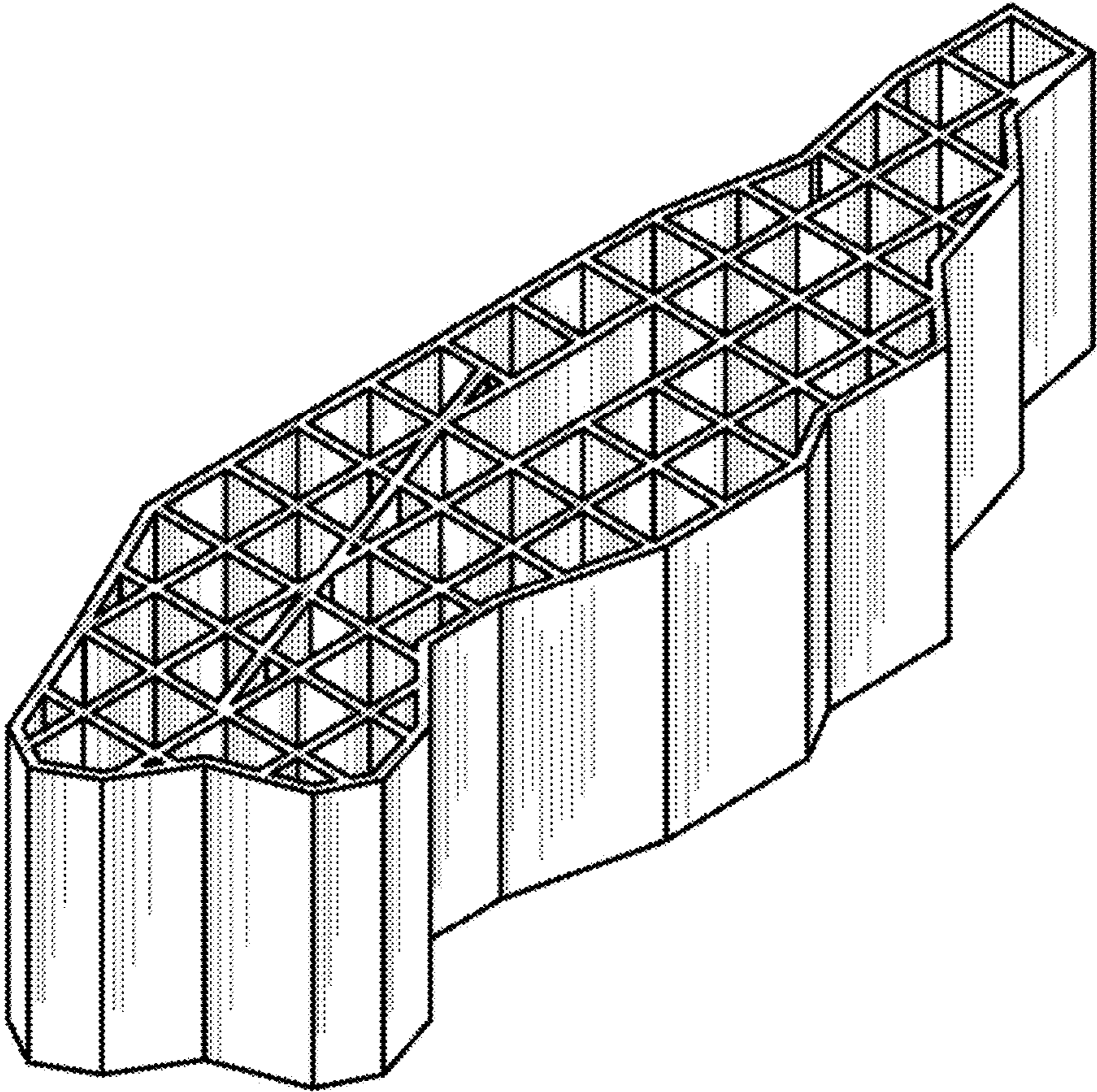


Fig. 1

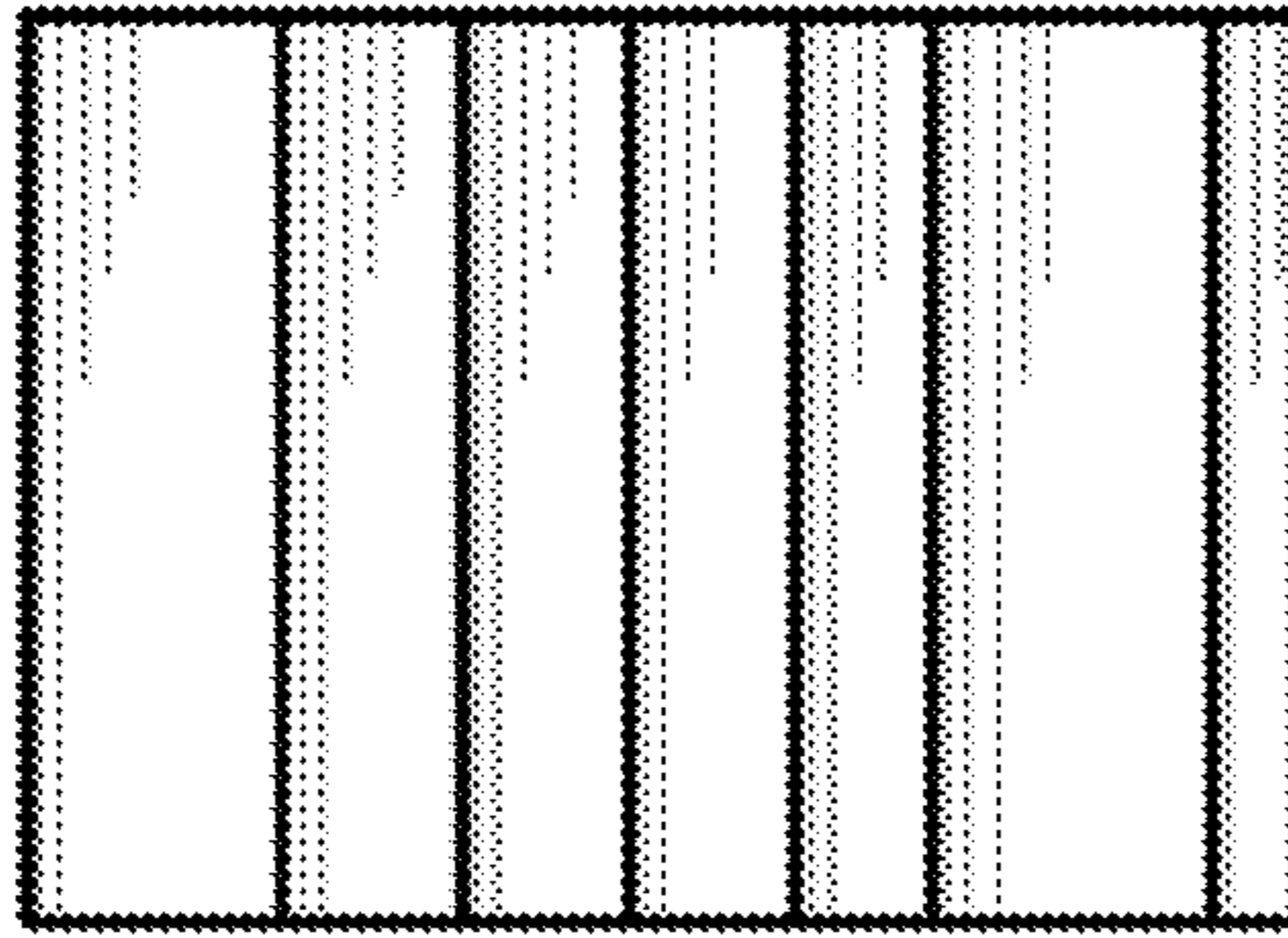


Fig. 2

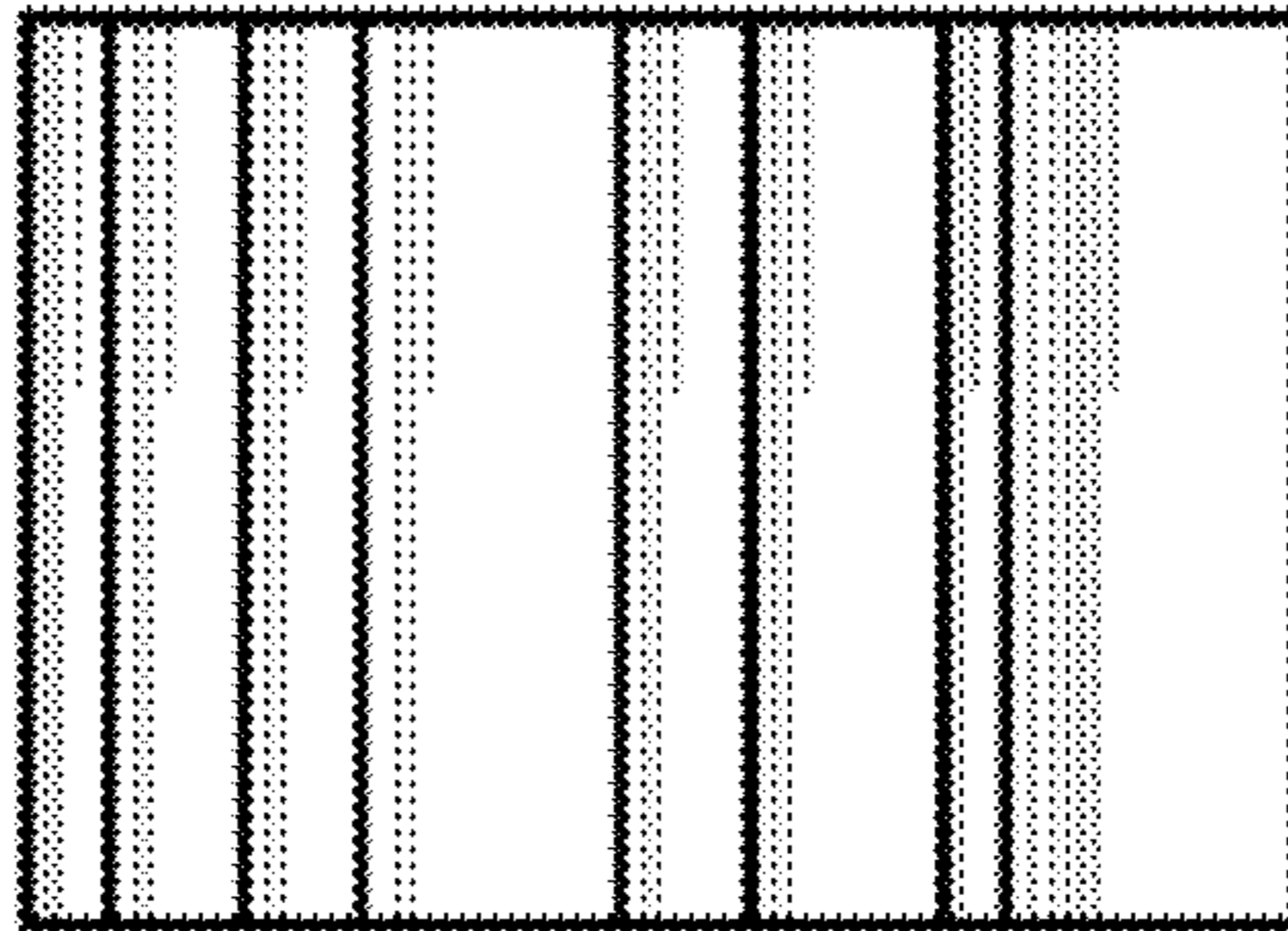


Fig. 3

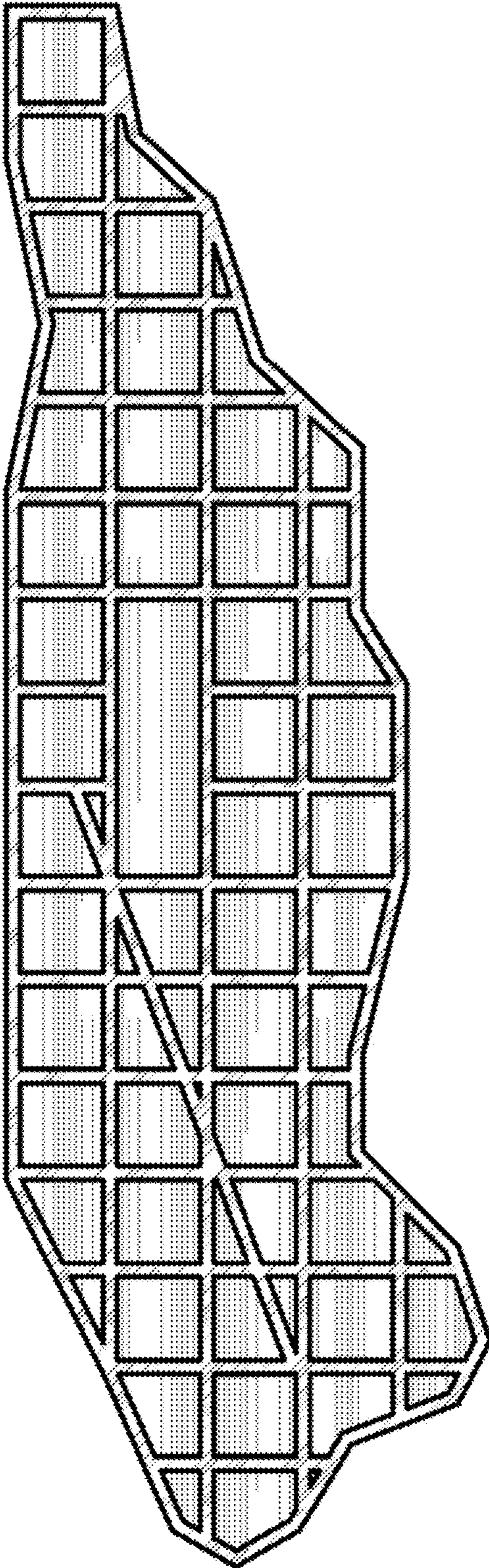


Fig. 4

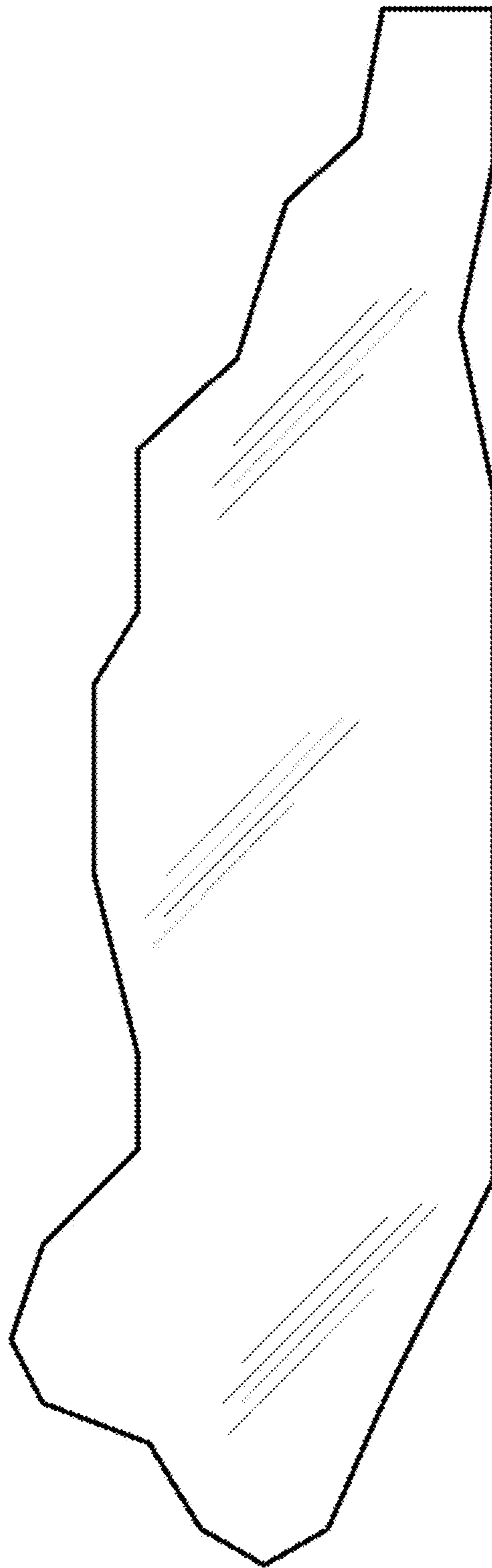


Fig. 5



Fig. 6

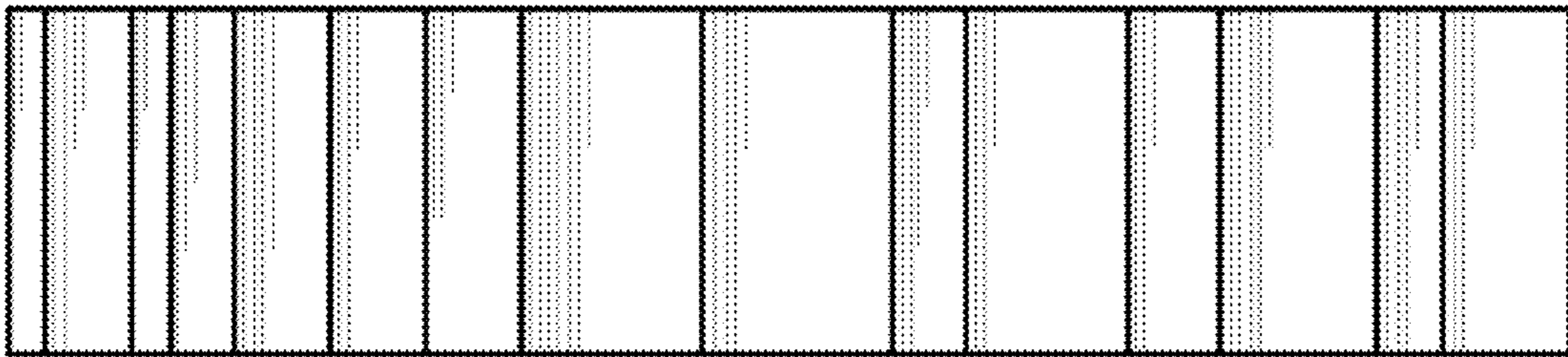


Fig. 7