



US00D808281S

(12) **United States Design Patent** (10) **Patent No.:** **US D808,281 S**
Akana et al. (45) **Date of Patent:** **** Jan. 23, 2018**

(54) **PACKAGING WITH ACCESSORY**
(71) Applicant: **Apple Inc.**, Cupertino, CA (US)
(72) Inventors: **Jody Akana**, San Francisco, CA (US); **Molly Anderson**, San Francisco, CA (US); **Bartley K. Andre**, Palo Alto, CA (US); **Shota Aoyagi**, San Francisco, CA (US); **Anthony Michael Ashcroft**, San Francisco, CA (US); **Marine C. Bataille**, San Francisco, CA (US); **Jeremy Bataillou**, San Francisco, CA (US); **Daniele De Iuliis**, San Francisco, CA (US); **Markus Diebel**, San Francisco, CA (US); **M. Evans Hankey**, San Francisco, CA (US); **Julian Hoenig**, San Francisco, CA (US); **Richard P. Howarth**, San Francisco, CA (US); **Jonathan P. Ive**, San Francisco, CA (US); **Julian Jaede**, San Francisco, CA (US); **Duncan Robert Kerr**, San Francisco, CA (US); **Peter Russell-Clarke**, San Francisco, CA (US); **Benjamin Andrew Shaffer**, San Jose, CA (US); **Mikael Silvanto**, San Francisco, CA (US); **Christopher J. Stringer**, Woodside, CA (US); **Sung-Ho Tan**, San Francisco, CA (US); **Clement Tissandier**, San Francisco, CA (US); **Eugene Antony Whang**, San Francisco, CA (US); **Rico Zörkendörfer**, San Francisco, CA (US)

(73) Assignee: **Apple Inc.**, Cupertino, CA (US)
(**) Term: **15 Years**
(21) Appl. No.: **29/575,695**
(22) Filed: **Aug. 26, 2016**
(51) **LOC (11) Cl.** **09-01**
(52) **U.S. Cl.**
USPC **D9/721**

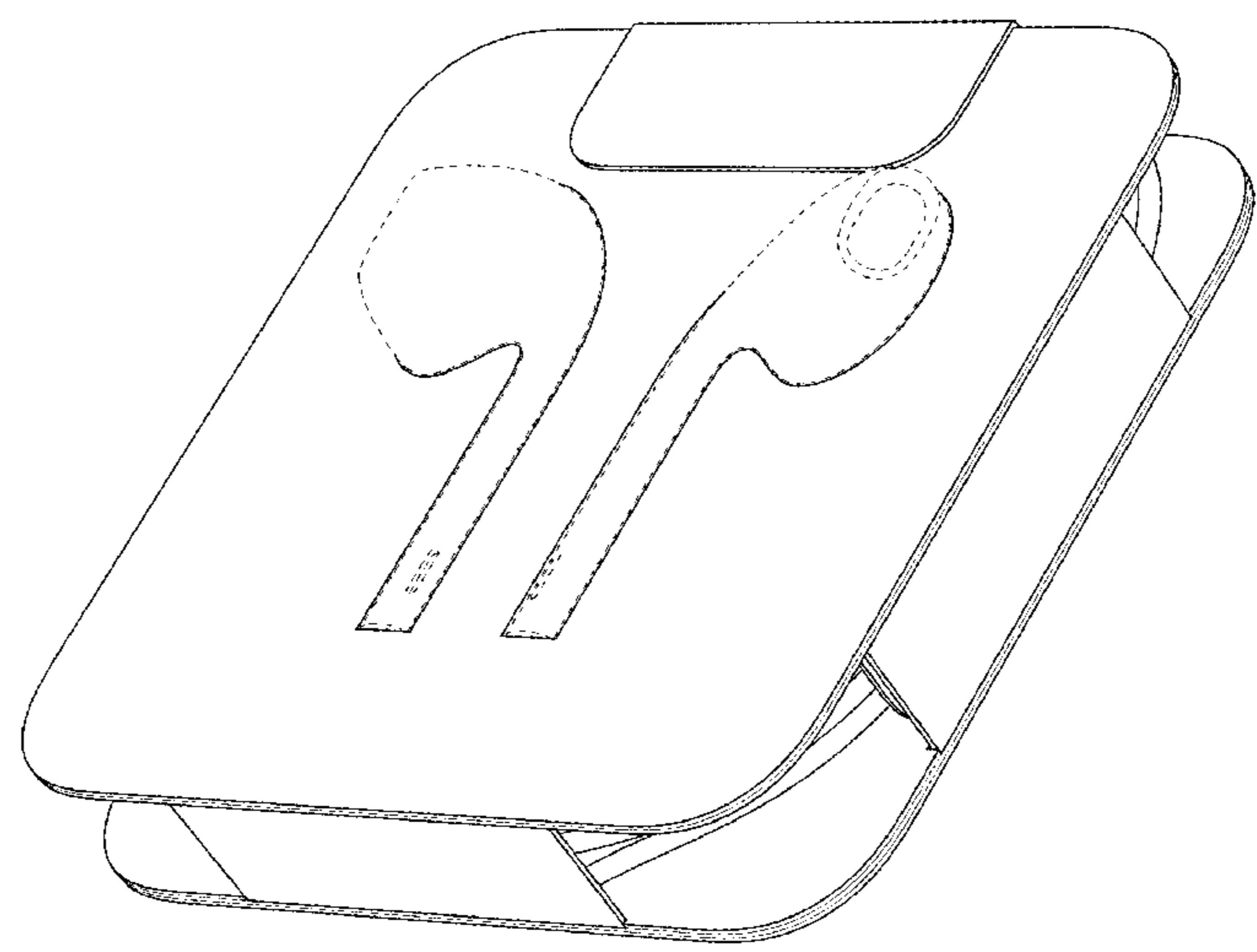
(58) **Field of Classification Search**
USPC D9/414, 418, 423, 424, 425, 426, 430, D9/432, 455, 456, 457, 715, 721; D14/223; D3/201; D8/356
CPC B65D 5/4204; B65D 2571/0066; B65D 1/36; B65D 71/0003; B65D 1/34; B65D 77/24; B65D 75/327; B65D 71/70; B65D 85/00; B65D 75/32; B65D 75/36; B65D
(Continued)

(56) **References Cited**
U.S. PATENT DOCUMENTS
1,315,593 A 9/1919 Binder
D273,178 S 3/1984 Dunlap
(Continued)
Primary Examiner — Derrick Holland
Assistant Examiner — Lauren Calve
(74) *Attorney, Agent, or Firm* — Sterne, Kessler, Goldstein & Fox P.L.L.C.

(57) **CLAIM**
The ornamental design for packaging with accessory, as shown and described.

DESCRIPTION
FIG. 1 is a bottom front perspective view of packaging with accessory showing the claimed design; FIG. 2 is a front view thereof; FIG. 3 is a rear view thereof; FIG. 4 is a left side view thereof; FIG. 5 is a right side view thereof; FIG. 6 is a bottom view thereof; and, FIG. 7 is a top view thereof.
The dashed broken lines, the dot-dash broken lines, and the areas between the dashed broken lines and the dot-dash broken lines in the figures show portions of the packaging with accessory that form no part of the claimed design.

1 Claim, 5 Drawing Sheets



(58) **Field of Classification Search**
 CPC 5/5038; B65D 75/30; B65D 81/36; B65D
 2501/24019; B65D 25/54; B65D 5/2033;
 B65D 75/14; B65D 2571/0029; B65D
 75/367; B65D 75/323; B65D 25/04;
 B65D 2543/00194; B65D 5/566; B65D
 5/503; B65D 5/5028; B65D 77/003;
 B65D 81/3453; B65D 81/133; B65D
 77/0433; B65D 21/0233

See application file for complete search history.

(56) **References Cited**

U.S. PATENT DOCUMENTS

4,542,822 A 9/1985 Kennedy, Jr. et al.
 4,938,344 A 7/1990 McHale et al.
 5,394,983 A 3/1995 Latulippe et al.
 5,462,170 A 10/1995 Colgate
 D369,295 S 4/1996 Kobari et al.
 5,730,294 A 3/1998 Blosser et al.
 D397,865 S 9/1998 Lin
 5,984,224 A 11/1999 Yang
 6,305,539 B1 10/2001 Sanders, Jr.
 6,571,956 B2 6/2003 Mann
 D506,744 S 6/2005 Andre et al.
 D531,025 S 10/2006 Tanner
 D542,123 S 5/2007 Symons
 D580,752 S 11/2008 Andre et al.
 D601,884 S 10/2009 Andre et al.
 D603,376 S * 11/2009 Blasko D14/223
 D604,501 S 11/2009 Lee
 D607,317 S 1/2010 Collins
 D620,781 S 8/2010 Weckwerth
 D621,256 S 8/2010 Andre et al.
 D633,388 S 3/2011 Andre et al.
 D649,449 S 11/2011 Akana et al.
 D658,492 S 5/2012 Akana et al.
 D659,530 S 5/2012 Akana et al.
 D668,143 S 10/2012 Akana et al.
 D672,660 S 12/2012 Vural
 D681,015 S 4/2013 Akana et al.
 D685,771 S 7/2013 Bertenthal

D691,594 S 10/2013 Akana et al.
 8,564,436 B2 10/2013 Oleen
 D694,249 S 11/2013 Akana et al.
 D696,144 S 12/2013 Akana et al.
 8,602,254 B2 12/2013 Ki
 8,668,160 B2 * 3/2014 Cheng B65H 75/4473
 242/400.1
 D704,072 S 5/2014 Akana et al.
 D704,073 S 5/2014 Akana et al.
 D706,643 S 6/2014 Akana et al.
 D709,384 S 7/2014 Vural
 D712,279 S 9/2014 Akana et al.
 D712,748 S 9/2014 Akana et al.
 D713,738 S 9/2014 Akana et al.
 D713,739 S * 9/2014 Akana D9/721
 D720,330 S * 12/2014 Stevinson D14/205
 D720,718 S * 1/2015 Stevinson D14/205
 D722,264 S 2/2015 Saideh
 D722,497 S * 2/2015 Saideh D9/418
 D739,657 S * 9/2015 Hsieh D3/319
 D740,653 S 10/2015 Akana et al.
 D744,855 S 12/2015 Akana et al.
 D752,521 S * 3/2016 Place D13/153
 D782,327 S * 3/2017 Akana D9/456
 2005/0123164 A1 * 6/2005 Yao H04M 1/15
 381/380
 2005/0194021 A1 9/2005 Byun
 2007/0020993 A1 * 1/2007 Symons H01R 13/72
 439/501
 2009/0285436 A1 * 11/2009 Lowry H04R 1/1016
 381/380
 2011/0317865 A1 * 12/2011 Stevinson H04R 1/1033
 381/384
 2012/0128193 A1 5/2012 Stevinson
 2013/0114231 A1 * 5/2013 Cheng G06F 1/1633
 361/807
 2013/0134252 A1 * 5/2013 Cheng H01R 13/60
 242/405.1
 2013/0265702 A1 * 10/2013 Merenda B65H 75/48
 361/679.01
 2017/0031164 A1 * 2/2017 Costa G02B 27/028
 2017/0031165 A1 * 2/2017 Costa G02B 27/028
 2017/0060262 A1 * 3/2017 Hviid G06F 3/03

* cited by examiner

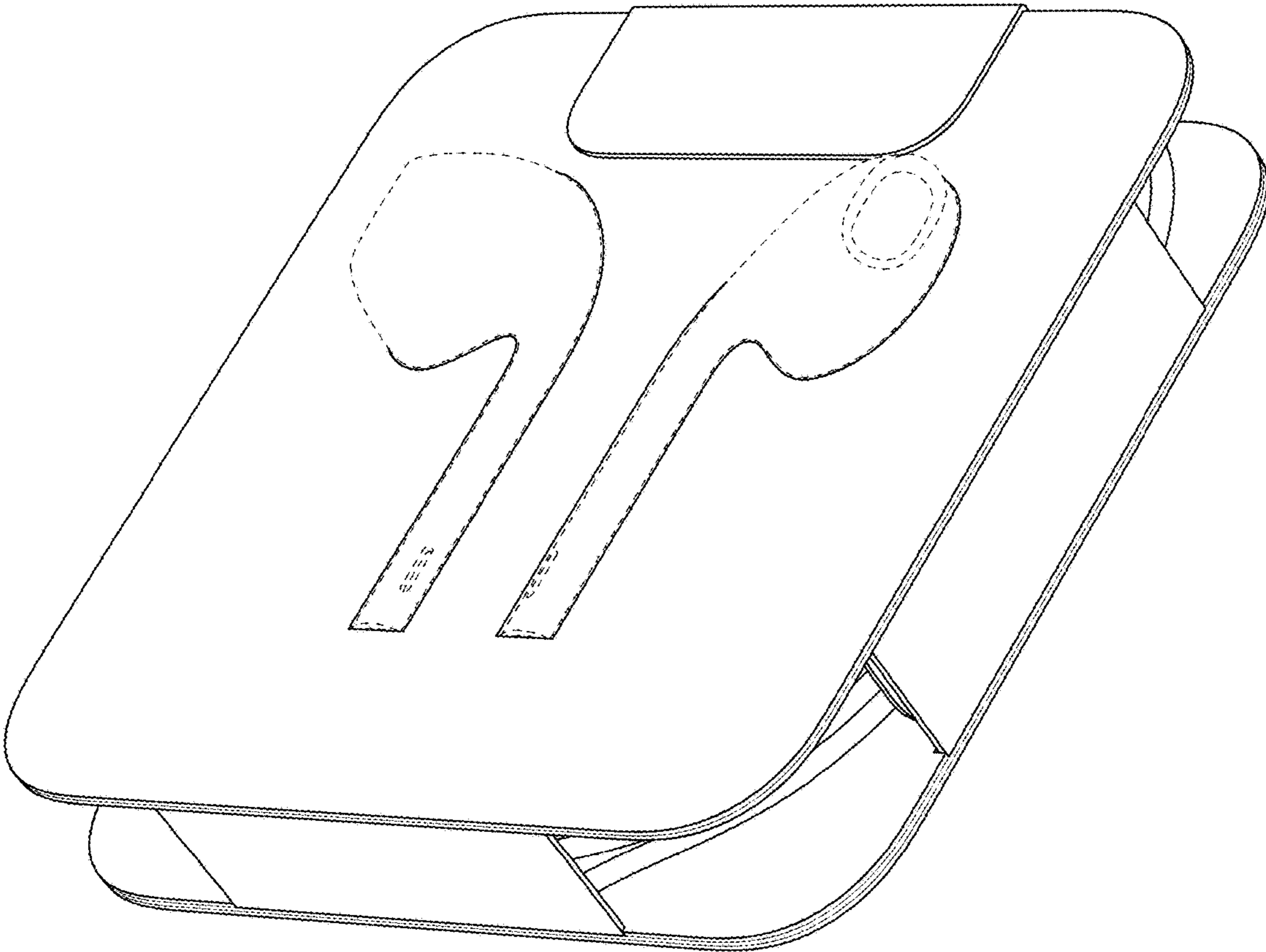


FIG. 1

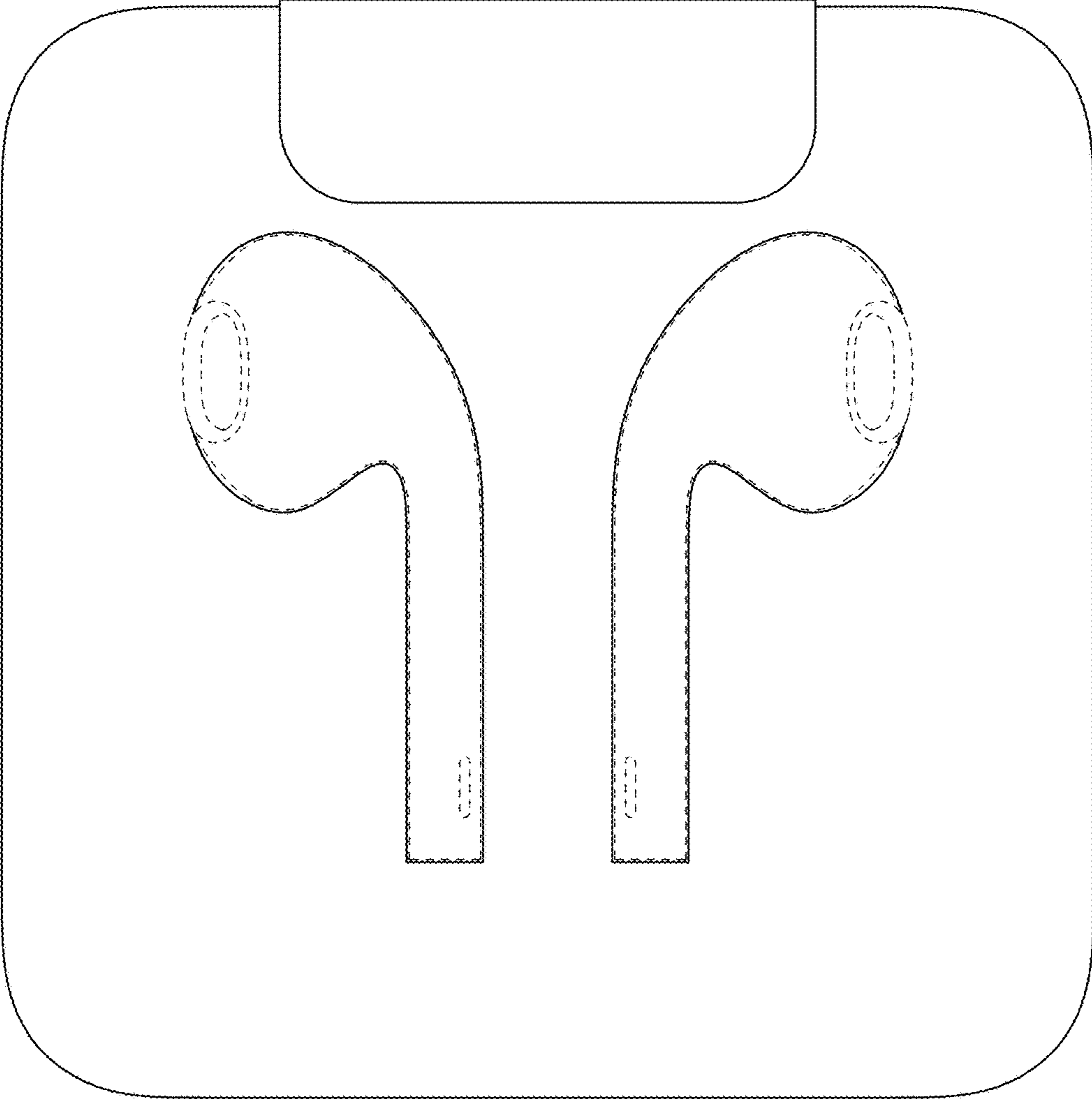


FIG. 2

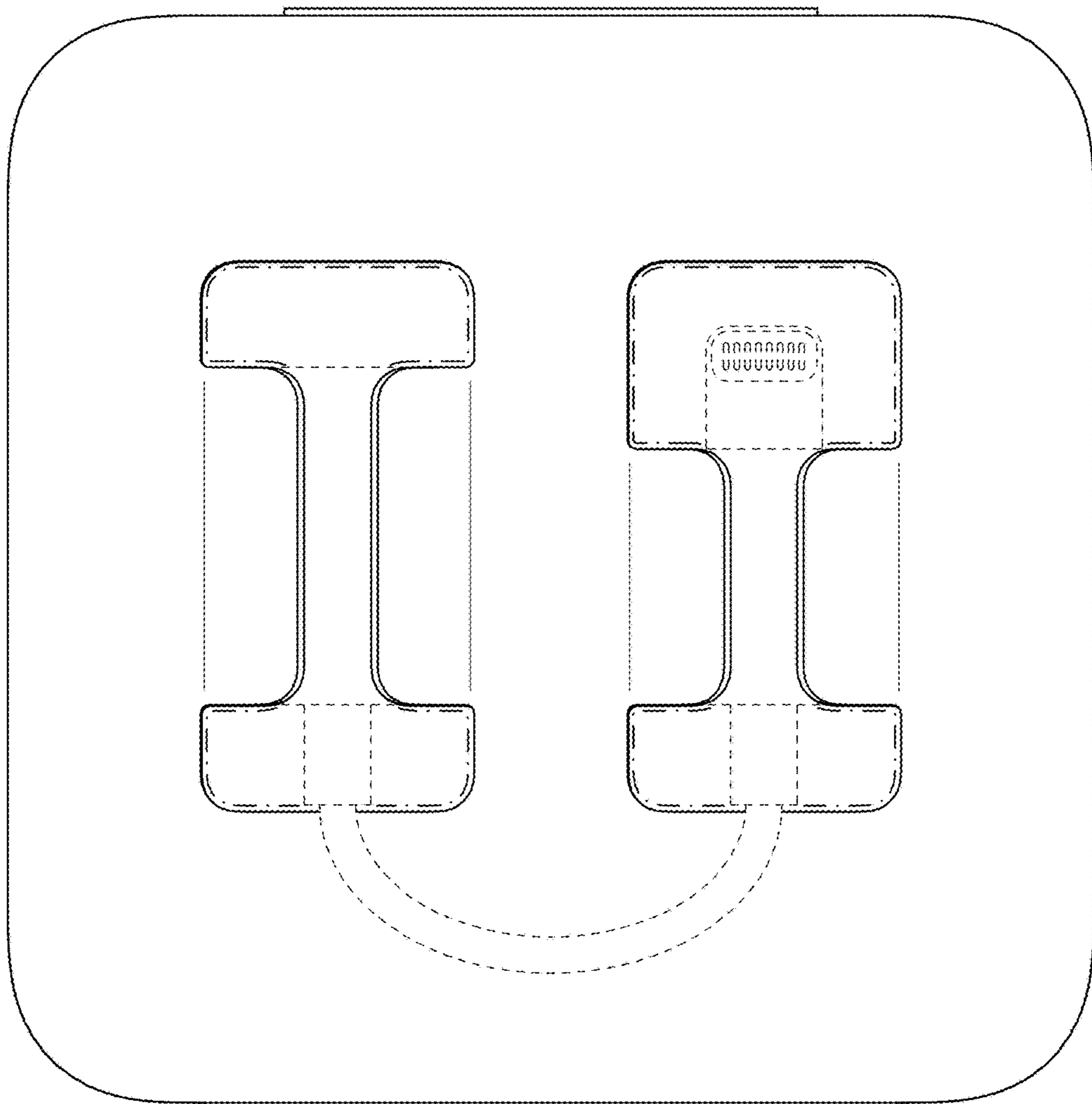


FIG. 3

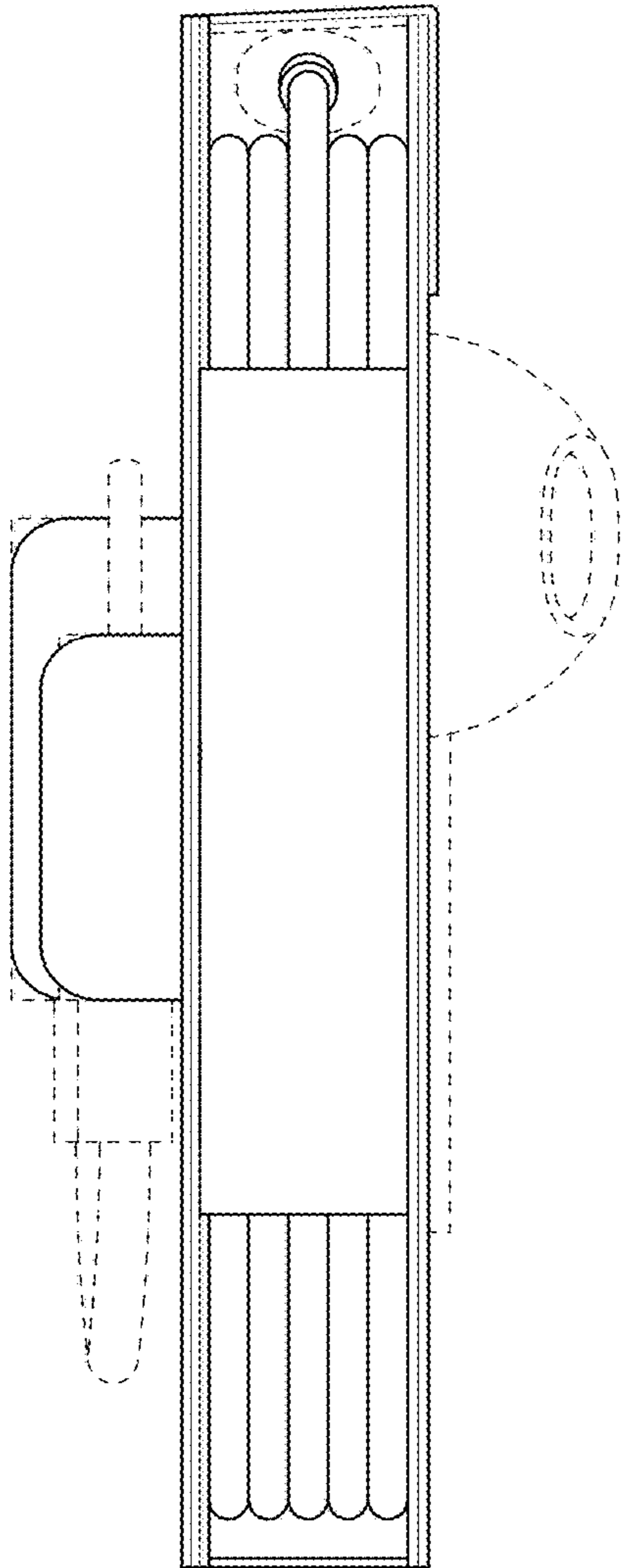


FIG. 4

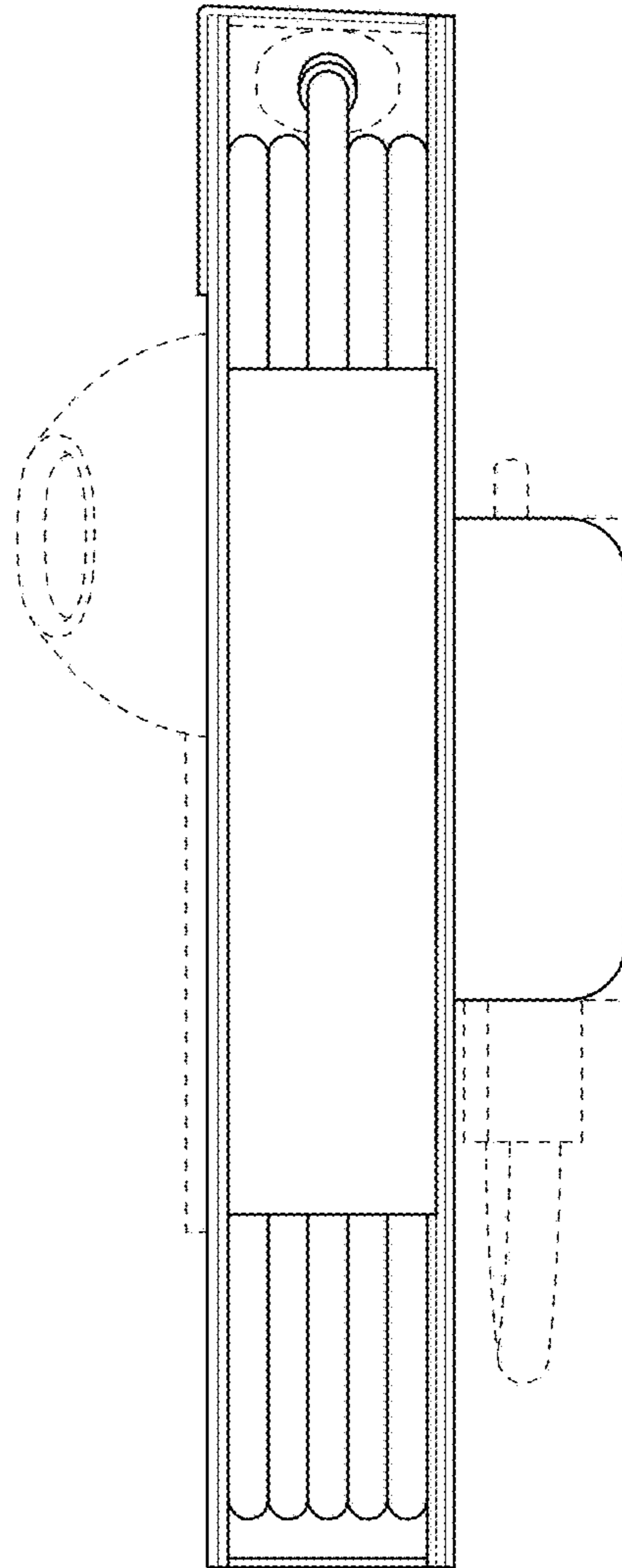


FIG. 5

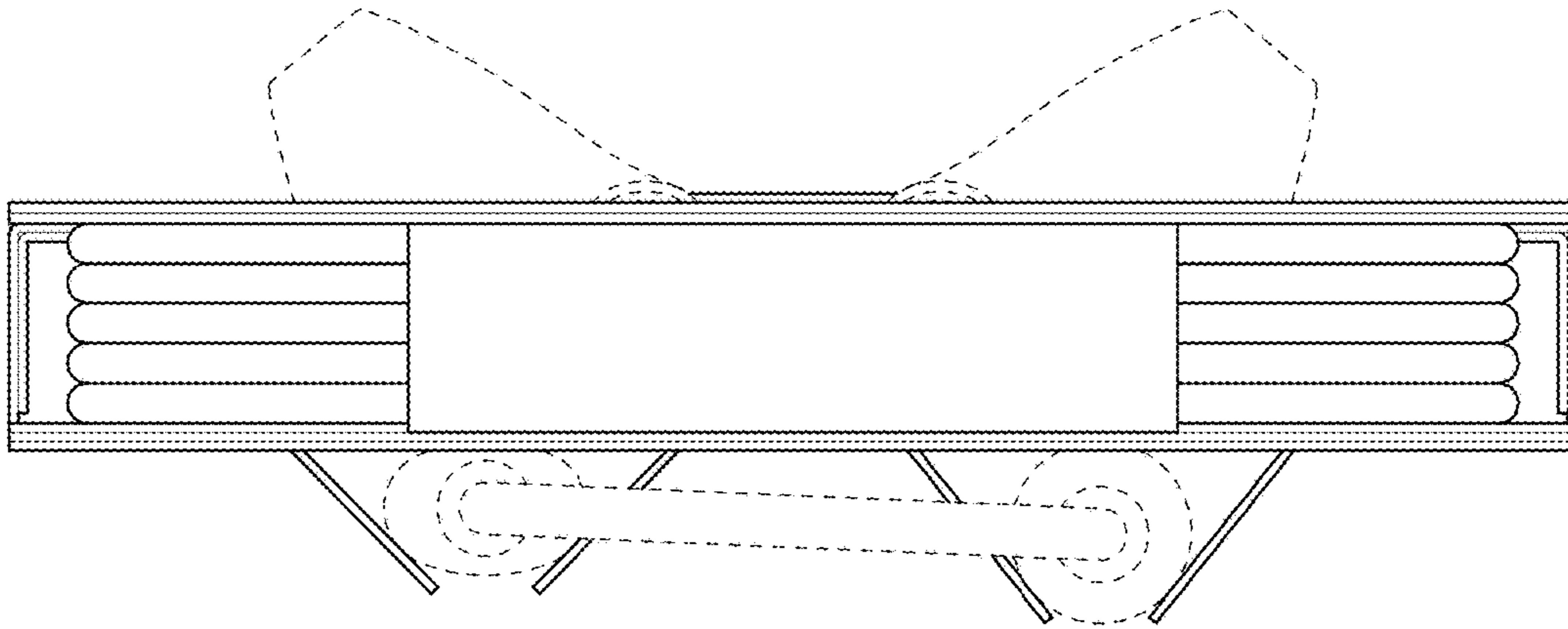


FIG. 6

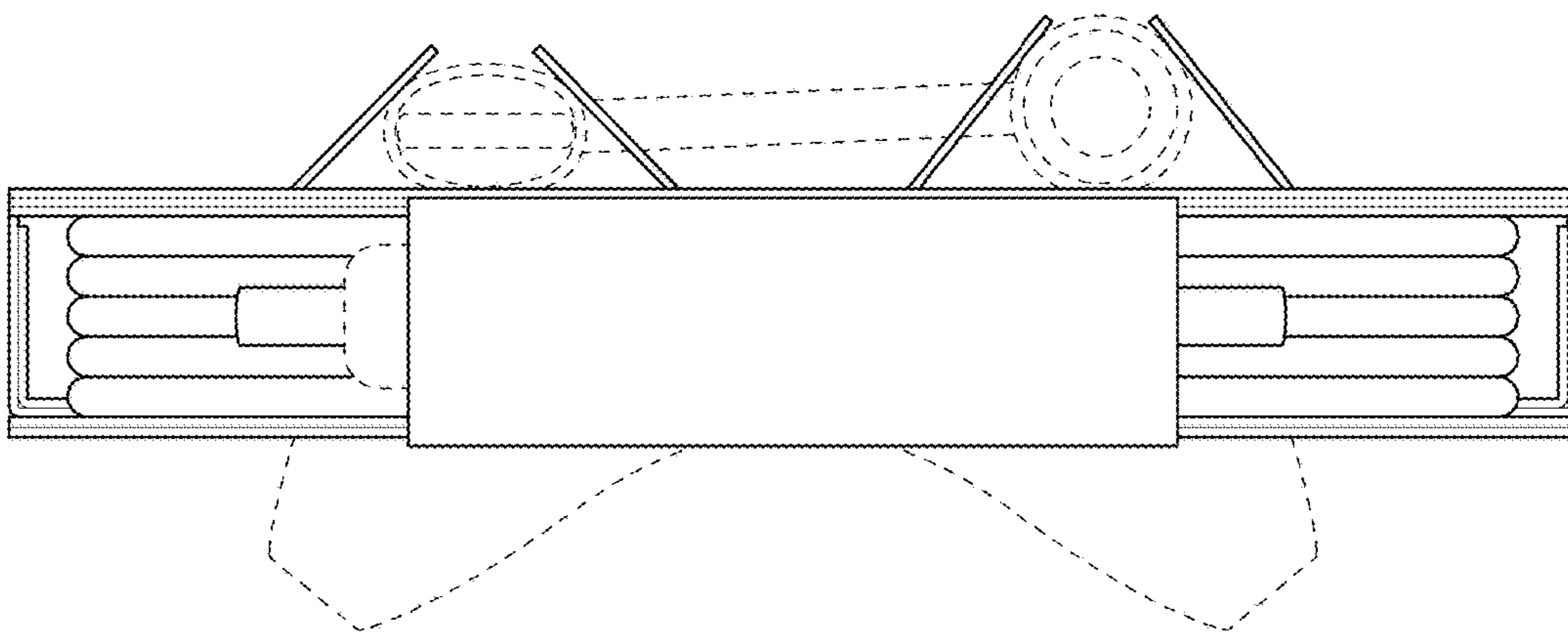


FIG. 7