



US00D808280S

(12) **United States Design Patent**  
**Nagata**

(10) **Patent No.:** **US D808,280 S**  
(45) **Date of Patent:** **\*\* Jan. 23, 2018**

(54) **BOTTLE**  
(71) Applicant: **Kaori Nagata**, Tokyo (JP)  
(72) Inventor: **Kaori Nagata**, Tokyo (JP)  
(73) Assignee: **SHISEIDO CO., LTD.**, Tokyo (JP)  
(\*\*) Term: **15 Years**  
(21) Appl. No.: **29/585,800**

D515,193 S \* 2/2006 Chen ..... D23/366  
D539,982 S \* 4/2007 Nobuto ..... D28/76  
D561,593 S \* 2/2008 Gomez ..... D9/529  
D590,720 S \* 4/2009 Oates ..... D9/560  
D639,669 S \* 6/2011 Adler ..... D9/435  
D655,200 S \* 3/2012 Gross ..... B05B 11/0032  
D9/687  
D675,104 S \* 1/2013 Chen ..... D9/687  
D679,451 S \* 4/2013 Dittmer ..... D28/85  
D703,054 S \* 4/2014 DeMarco ..... D9/454  
D704,065 S \* 5/2014 de Lima Paschoal ..... D28/76  
D709,652 S \* 7/2014 Teller ..... D28/83  
D715,653 S \* 10/2014 Lavigne ..... D9/529

(Continued)

(22) Filed: **Nov. 29, 2016**  
(51) **LOC (11) Cl.** ..... **09-01**  
(52) **U.S. Cl.**  
USPC ..... **D9/560; D28/85**

FOREIGN PATENT DOCUMENTS

KR 3020150007189 \* 2/2015

(58) **Field of Classification Search**  
USPC ..... D9/434-435, 439, 447, 449, 450, 452,  
D9/516, 520, 522-524, 528-531,  
D9/541-544, 549-551, 558-560, 563,  
D9/565-566, 571-575, 682, 686,  
D9/693-694, 715, 719; D23/211, 225;  
D7/300, 300.1, 316, 317, 598; D4/116;  
D28/77, 83, 85  
CPC ... B65D 1/00; B65D 1/02; B65D 1/12; B65D  
1/18; B65D 1/20; B65D 1/0223; B65D  
23/00; B65D 21/0237; B65D 2501/0009;  
B65D 2501/0081  
See application file for complete search history.

OTHER PUBLICATIONS

Always on Liquid Lipstick. Online, published date Sep. 15, 2016.  
Retrieved on Sep. 21, 2017 from URL: [https://www.smashbox.com/product/6126/42295/lips-cheek/lipstick-liner/always-on-liquid-lipstick/new#/shade/In\\_Demand](https://www.smashbox.com/product/6126/42295/lips-cheek/lipstick-liner/always-on-liquid-lipstick/new#/shade/In_Demand).\*

*Primary Examiner* — Vy N Koenig  
*Assistant Examiner* — Omeed Agilee  
(74) *Attorney, Agent, or Firm* — Manabu Kanosaka

(56) **References Cited**

**CLAIM**

(57) The ornamental design for a bottle, as shown and described.

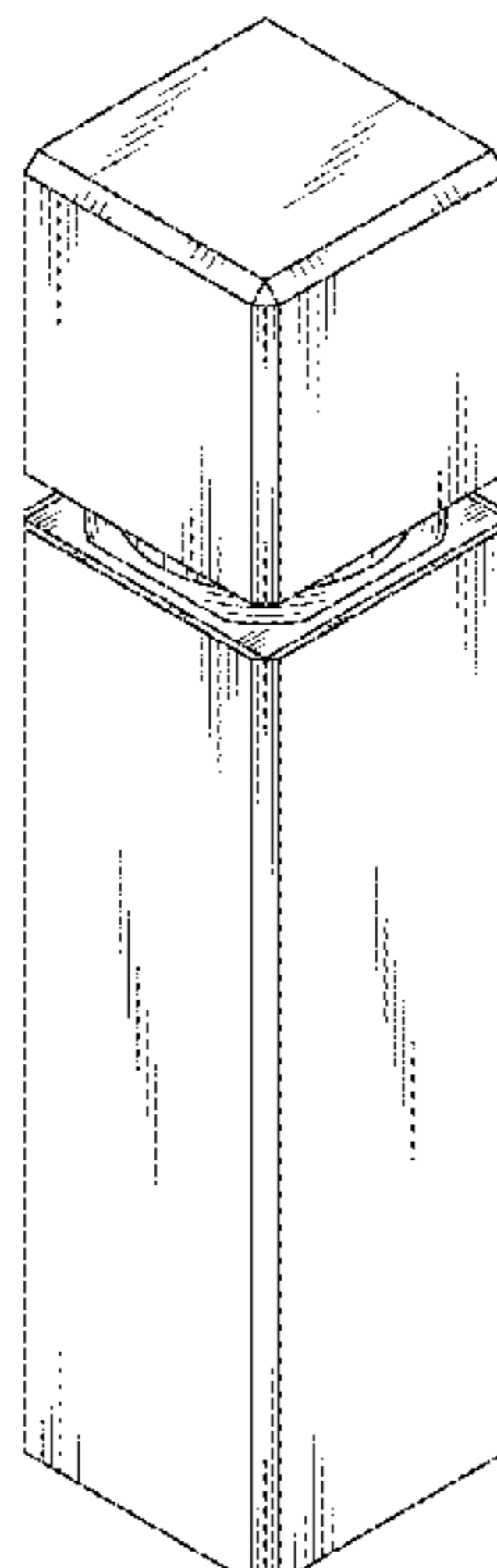
U.S. PATENT DOCUMENTS

D271,337 S \* 11/1983 Holloway ..... D28/85  
D282,301 S \* 1/1986 Holloway ..... D28/85  
D298,363 S \* 11/1988 Freeman ..... D28/85  
4,966,479 A \* 10/1990 Idec ..... A45D 40/04  
132/320  
5,599,124 A \* 2/1997 Ackermann ..... A45D 40/06  
401/78  
D432,725 S \* 10/2000 Gavin ..... D28/85  
D471,324 S \* 3/2003 Kalin ..... D28/77  
D501,279 S \* 1/2005 Dittmer ..... D28/85

**DESCRIPTION**

FIG. 1 is a perspective view of a bottle showing my new design;  
FIG. 2 is a front view thereof, a rear view being identical to the front view thereof;  
FIG. 3 is a top plan view thereof;  
FIG. 4 is a bottom plan view thereof; and,  
FIG. 5 is a right side view thereof, a left side view being identical to the right side view thereof.

**1 Claim, 3 Drawing Sheets**



(56)

**References Cited**

U.S. PATENT DOCUMENTS

D744,167 S \* 11/2015 Chertoff ..... D28/85  
D785,458 S \* 5/2017 Futagami ..... D9/529

\* cited by examiner

Fig. 1

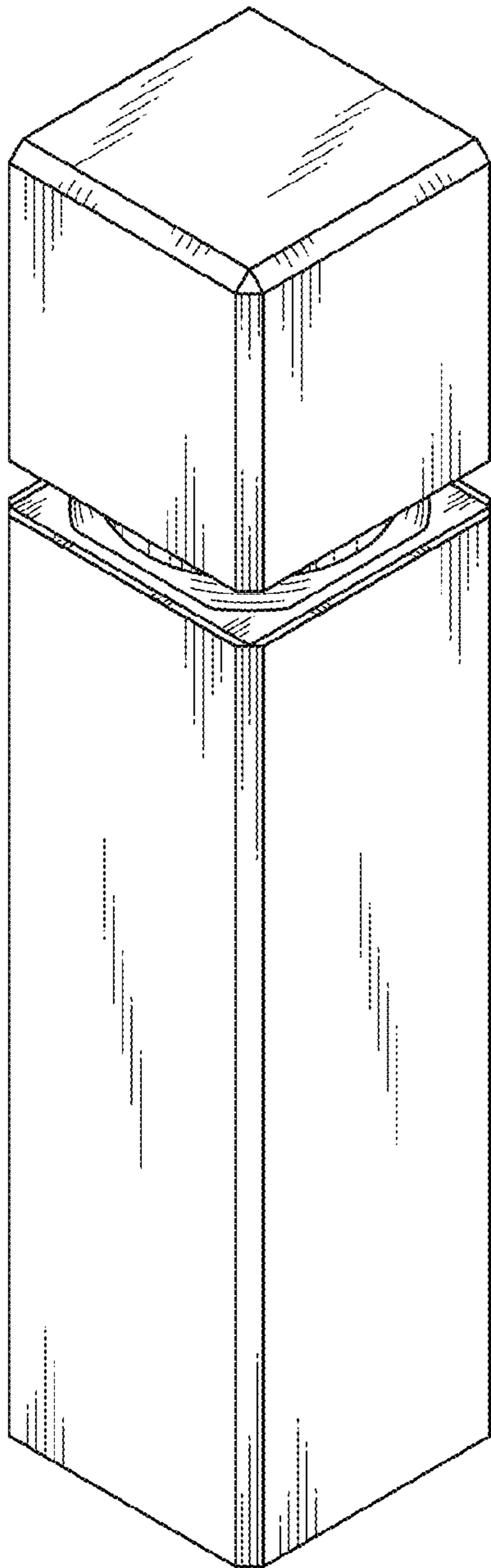


Fig. 2

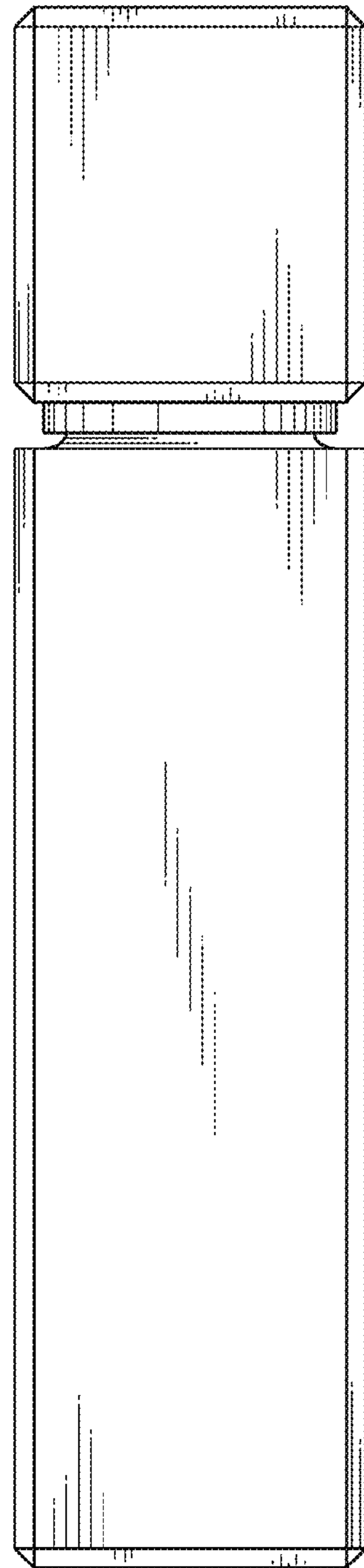


Fig.3

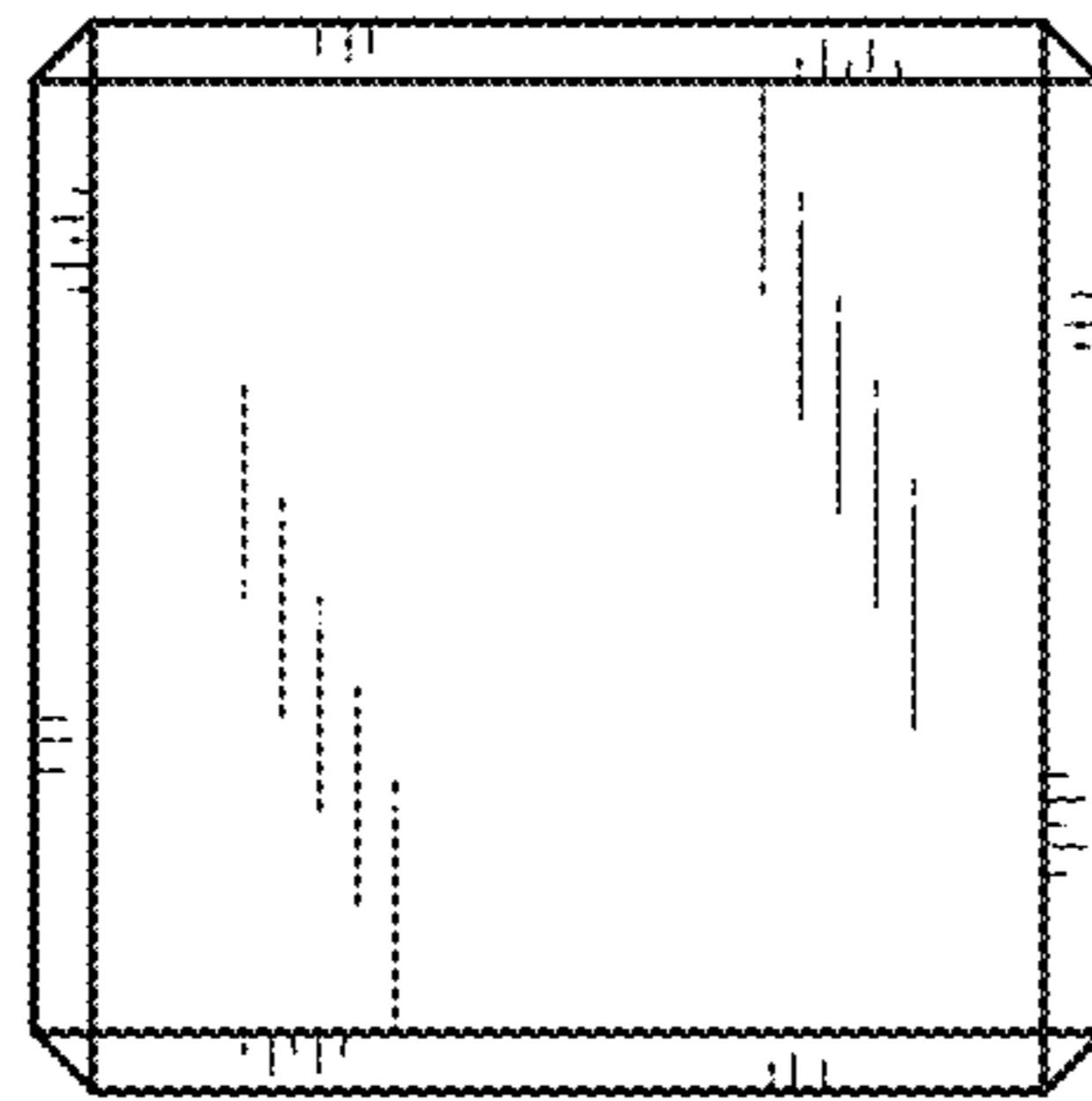


Fig.4

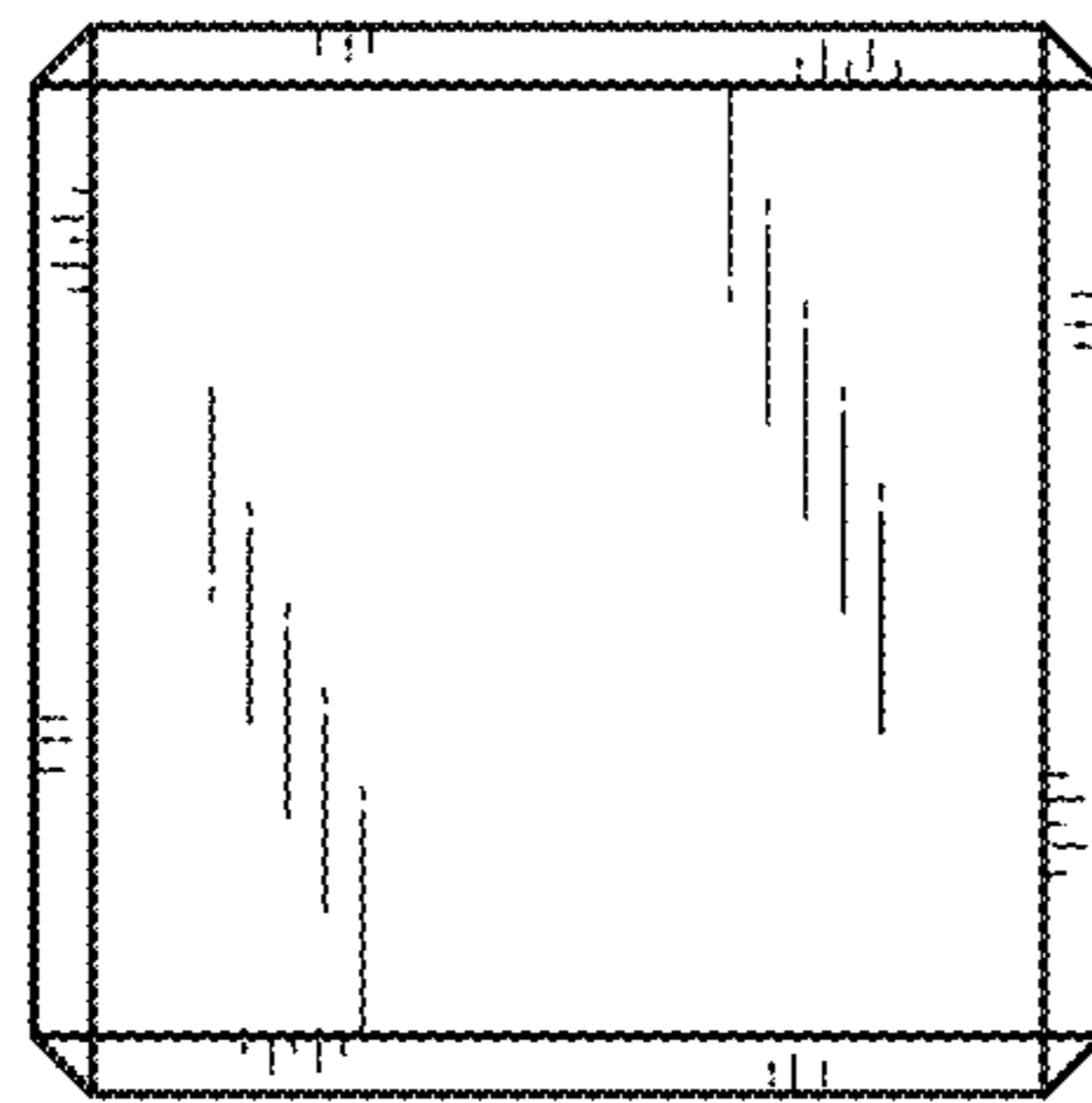


Fig.5

