



US00D808278S

(12) **United States Design Patent** (10) **Patent No.:** **US D808,278 S**
Vindevogel (45) **Date of Patent:** **** Jan. 23, 2018**

(54) **BOTTLE**
(71) Applicant: **COPPERHEAD NV**, Menen (BE)
(72) Inventor: **Yvan Vindevogel**, Kortijk (BE)
(73) Assignee: **COPPERHEAD NV**, Menen (BE)
(**) Term: **15 Years**

D318,422 S * 7/1991 Rumney D9/559
D362,799 S * 10/1995 Noble D9/522
D391,169 S * 2/1998 Workman D9/539
D535,566 S * 1/2007 Lin D9/453
D559,113 S * 1/2008 Brown D9/544
D602,368 S * 10/2009 Rica D9/544
D639,670 S * 6/2011 Gonzalez Rodriguez D9/559
D652,310 S * 1/2012 Hartford D9/544
D687,310 S * 8/2013 Lemaitre D9/544

(21) Appl. No.: **29/555,488**
(22) Filed: **Feb. 22, 2016**

(30) **Foreign Application Priority Data**

Aug. 20, 2015 (EM) 002758003-001

(51) **LOC (11) Cl.** **09-01**

(52) **U.S. Cl.**
USPC **D9/560**

(58) **Field of Classification Search**
USPC D9/516, 522, 530, 531, 534, 536, 537,
D9/539, 544, 549, 551, 558; 215/248,
215/307, 379, 381-385, 902; 220/660,
220/662, 669, 675

CPC B65D 1/0207; B65D 1/0223; B65D 1/023;
B65D 13/02; B65D 2501/0081; B29L
2031/7158

See application file for complete search history.

(56) **References Cited**

U.S. PATENT DOCUMENTS

D129,730 S * 9/1941 Heisey D7/300
D247,427 S * 3/1978 Fagniard D9/562
D268,329 S * 3/1983 Cointreau D9/520

OTHER PUBLICATIONS

“Prince,” Spirit Collection, Saverglass, printed May 2014, p. 20,
retrieved from <<http://www.saverglass.com/en/downloads>>.*

* cited by examiner

Primary Examiner — Derrick Holland

Assistant Examiner — Janice Lim

(74) *Attorney, Agent, or Firm* — Symbus Law Group,
LLC; Clifford D. Hyra

(57) **CLAIM**

The ornamental design for a bottle, as shown and described.

DESCRIPTION

FIG. 1 is a front, right side perspective view of a bottle,
showing my new design;

FIG. 2 is a front view thereof;

FIG. 3 is a right side view thereof;

FIG. 4 is a rear view thereof

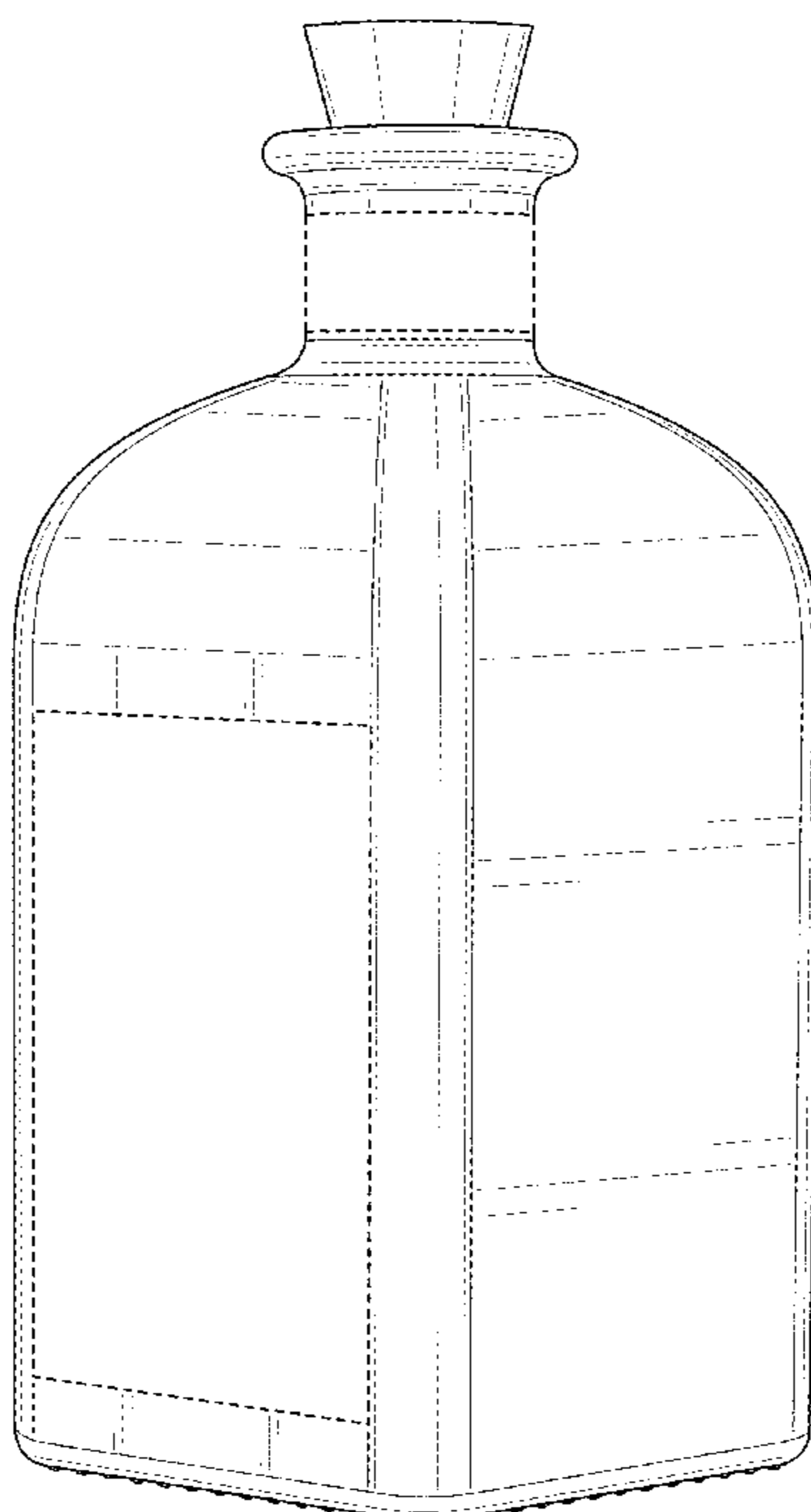
FIG. 5 is a left side view thereof;

FIG. 6 is a top view thereof; and,

FIG. 7 is a bottom view thereof.

The broken lines portions show unclaimed subject matter
only and form no part of the claimed design.

1 Claim, 6 Drawing Sheets



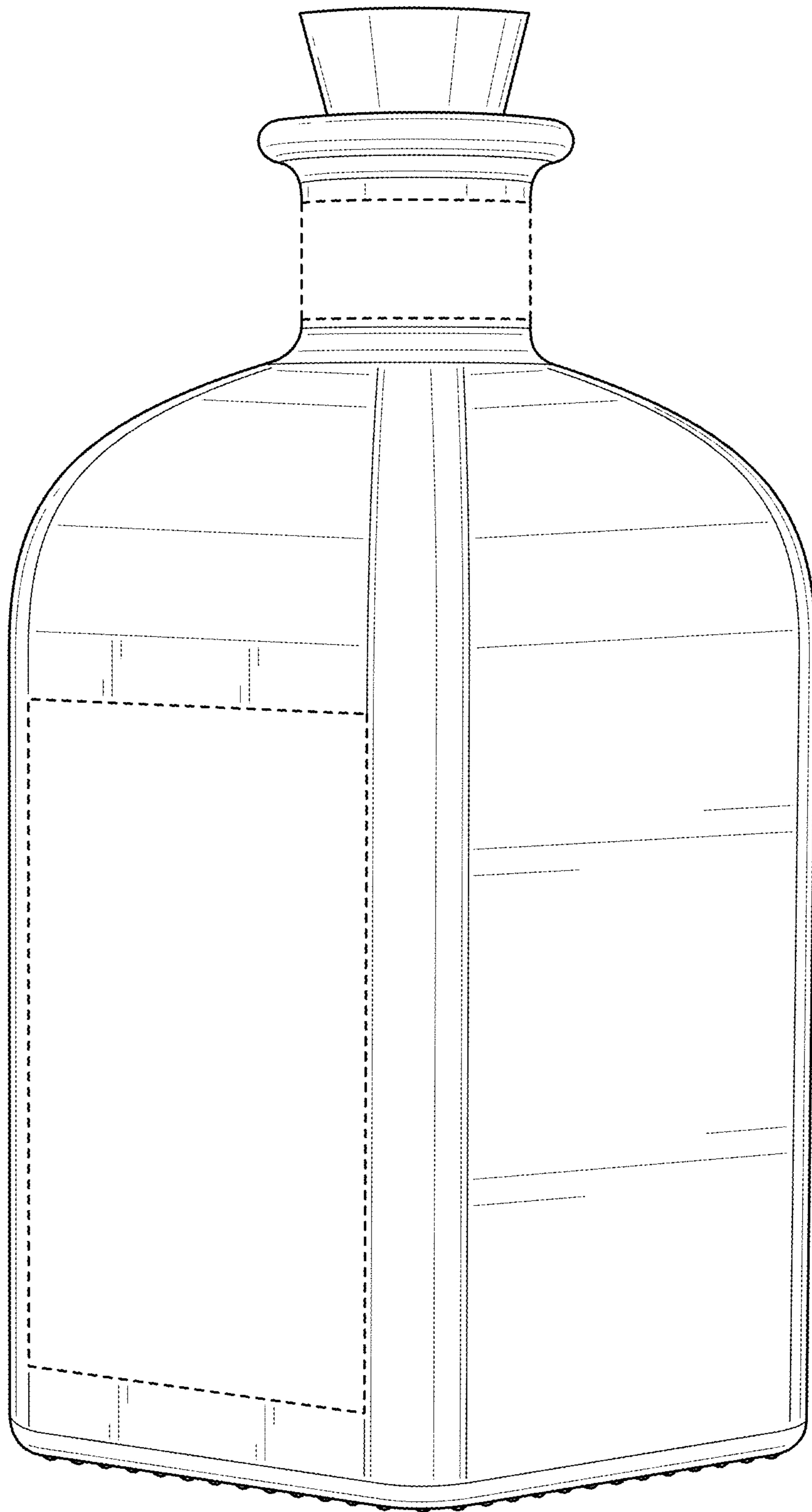


FIG. 1

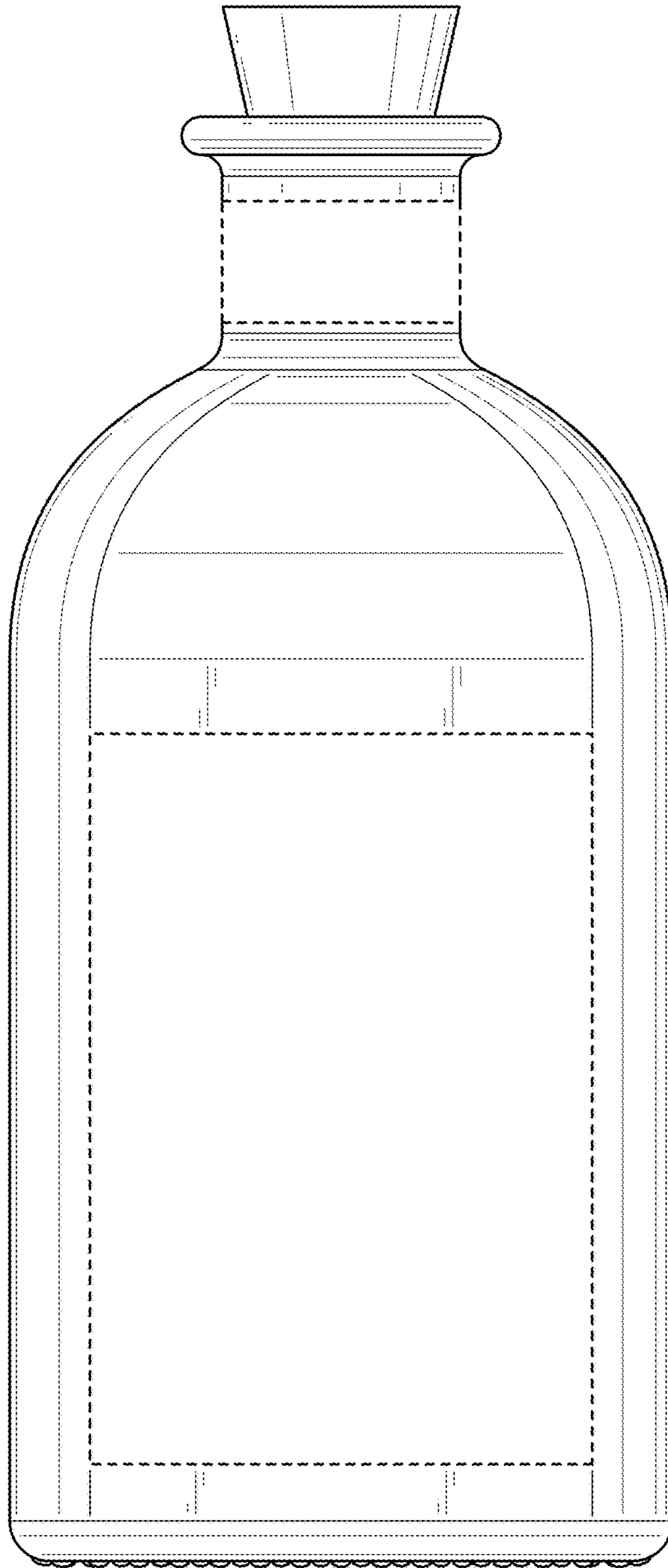


FIG. 2

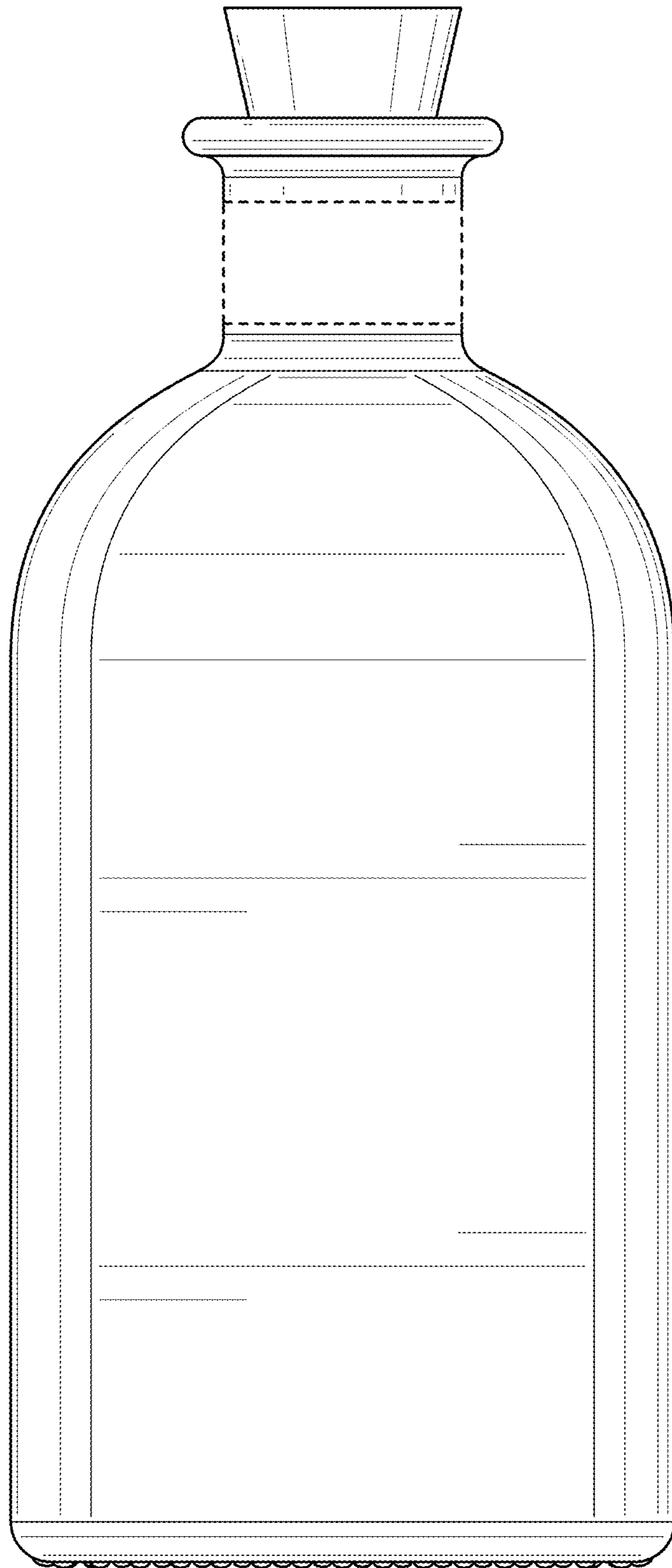


FIG. 3

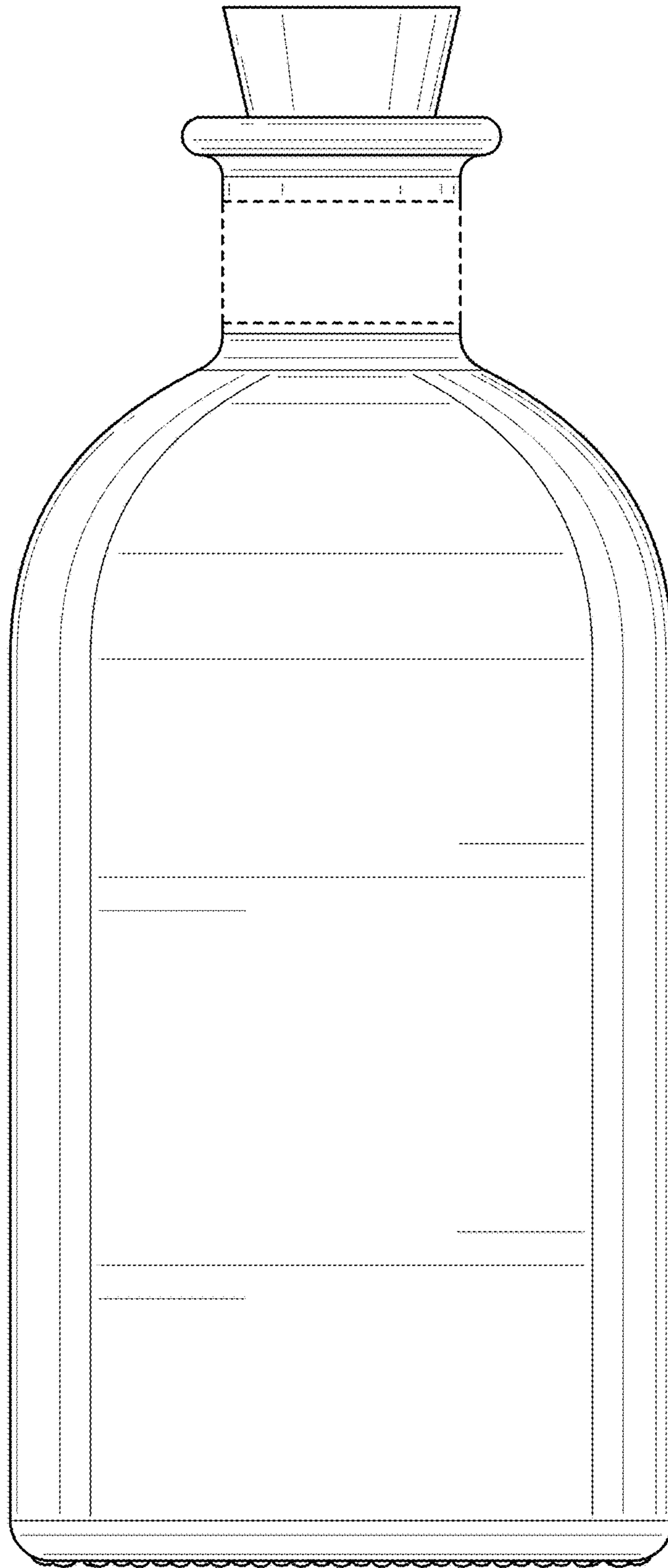


FIG. 4

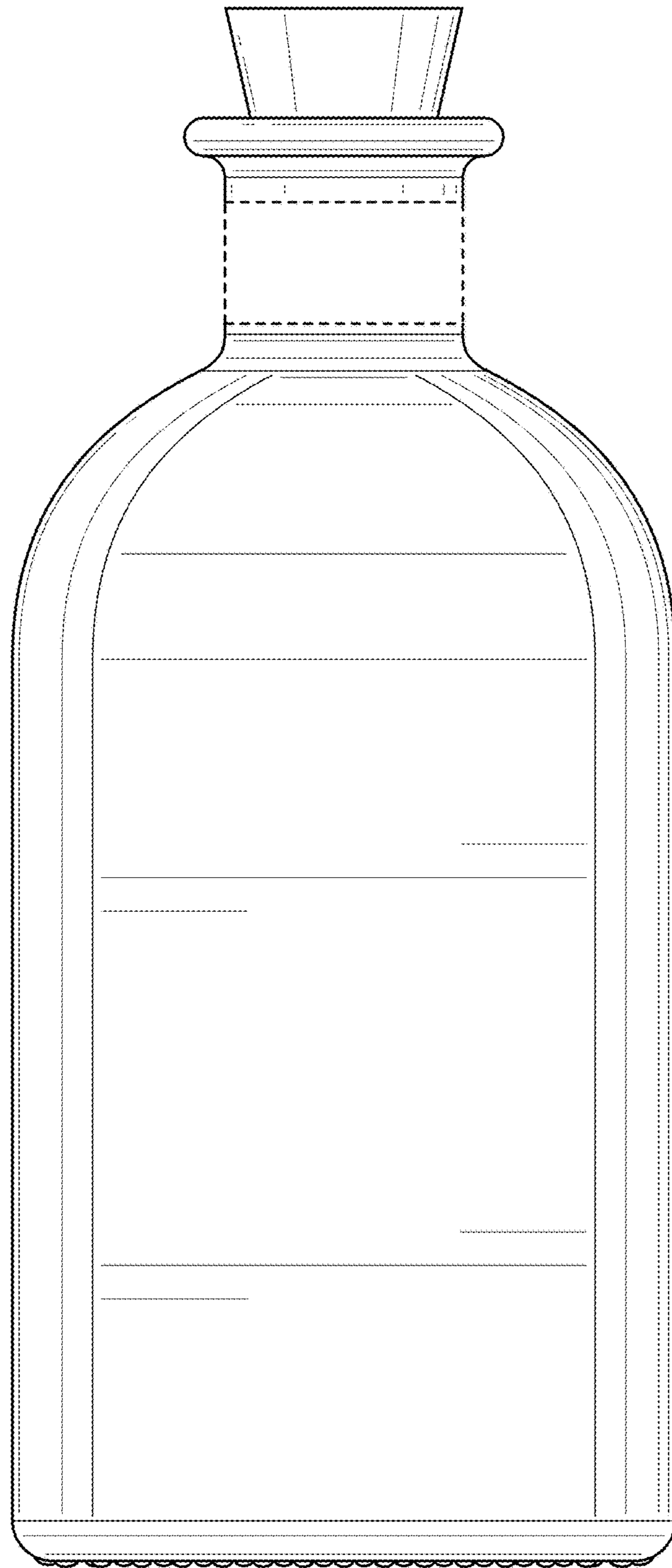


FIG. 5

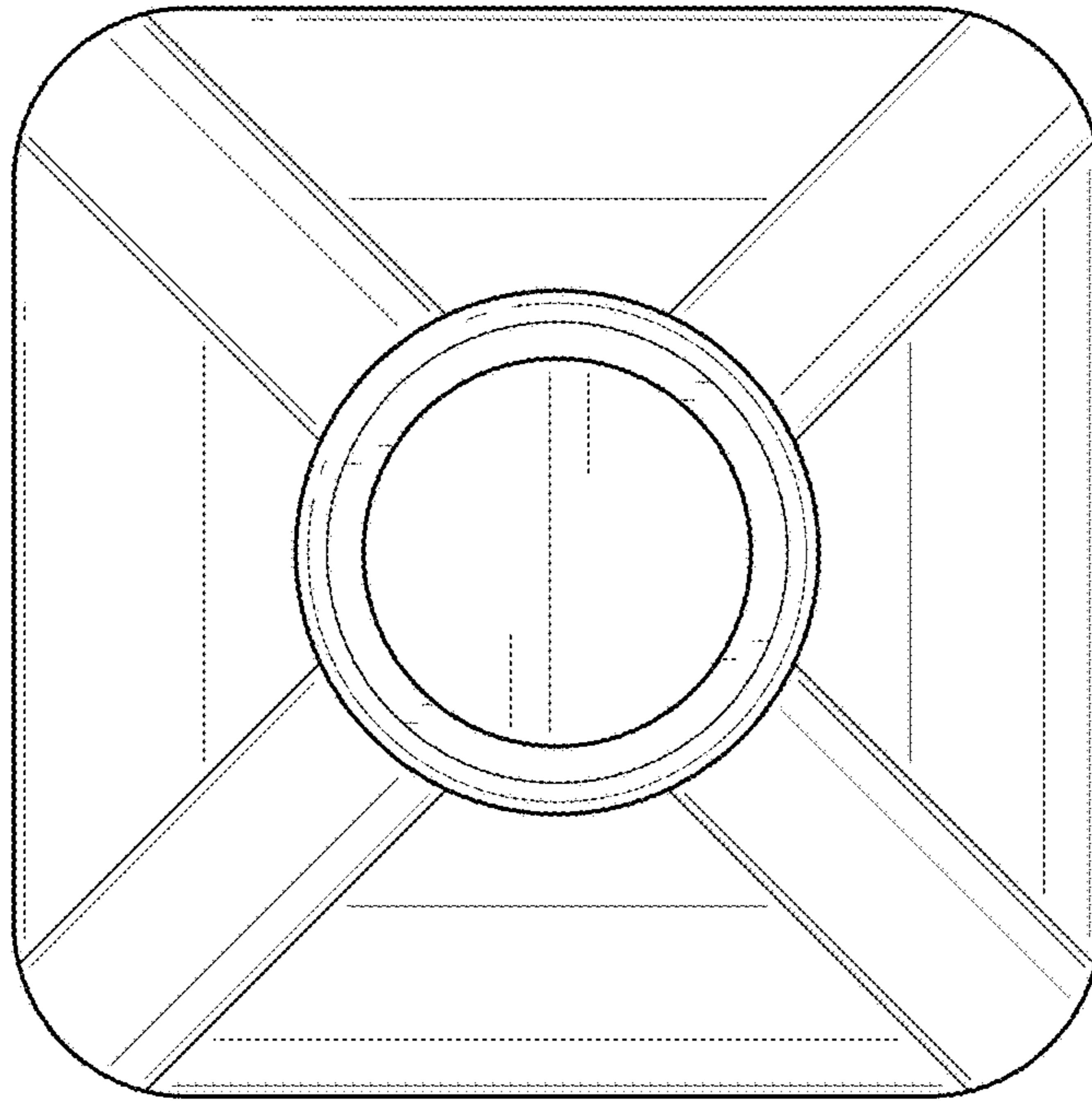


FIG. 6

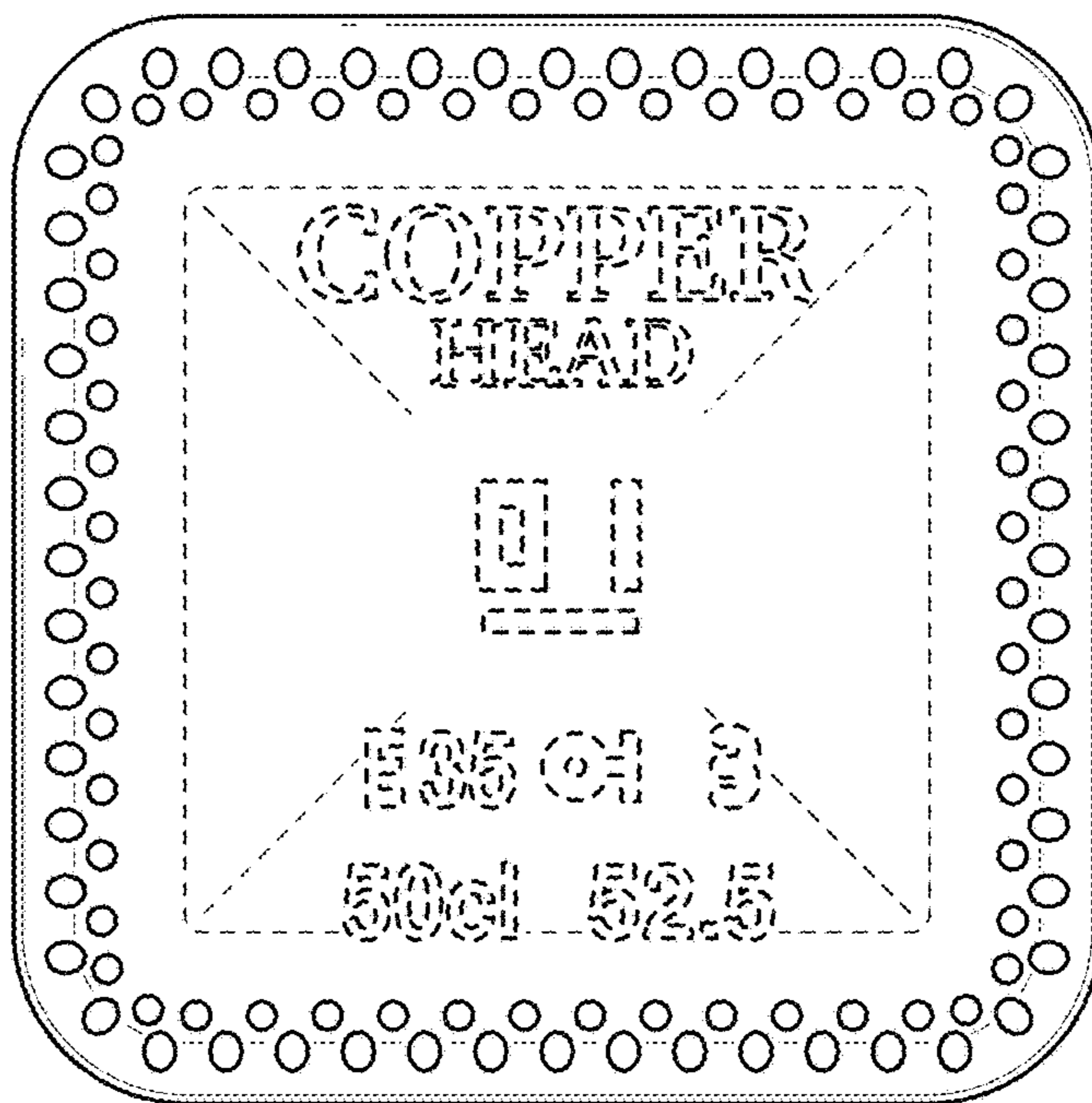


FIG. 7