



US00D808274S

(12) **United States Design Patent**  
**Sanghavi et al.**

(10) **Patent No.: US D808,274 S**

(45) **Date of Patent: \*\* \*Jan. 23, 2018**

(54) **BOTTLE**

(71) Applicant: **V2 Corp**, New Delhi (IN)

(72) Inventors: **Pramit Sanghavi**, New Delhi (IN);  
**Dewang Sanghavi**, New Delhi (IN)

(73) Assignee: **V2 Corp.**, New Delhi (IN)

(\*) Notice: This patent is subject to a terminal disclaimer.

(\*\*) Term: **14 Years**

(21) Appl. No.: **29/501,413**

(22) Filed: **Sep. 4, 2014**

(51) **LOC (11) Cl.** ..... **09-01**

(52) **U.S. Cl.**

USPC ..... **D9/542**; D9/560

(58) **Field of Classification Search**

USPC ..... D9/516–575

CPC ..... B65D 1/02; B65D 1/0207; B65D 1/0223;

B65D 1/40; B65D 1/42; B65D 1/44;

B65D 23/00; B65D 23/10; B65D 23/102;

B65D 11/10; B65D 2203/00; B65D

2501/0009; B65D 2501/0018; B65D

2501/0027; B65D 2501/0036; B65D

2501/0081

See application file for complete search history.

(56) **References Cited**

U.S. PATENT DOCUMENTS

D53,337 S \* 5/1919 Leach ..... D9/544

D75,873 S \* 7/1928 Rice ..... D9/546

D93,412 S \* 9/1934 Kessler ..... D9/560

D106,982 S *	11/1937	Kohl	.....	D9/563
3,536,500 A *	10/1970	Cleereman	.....	B65D 1/0223
				215/382
D380,966 S *	7/1997	Frazer	.....	D9/560
D384,586 S *	10/1997	Peek	.....	D9/520
D436,033 S *	1/2001	Croft	.....	D9/541
D594,343 S *	6/2009	Leruste	.....	D9/559
D612,251 S *	3/2010	Lepoitevin	.....	D9/539
7,699,183 B2 *	4/2010	Matsuoka	.....	B65D 1/0223
				215/381
D633,805 S *	3/2011	Servaire	.....	D9/435
D637,495 S *	5/2011	Gill	.....	D9/538
D649,061 S *	11/2011	Jeffs	.....	D9/542
D653,553 S *	2/2012	Sanghavi	.....	D9/560
2012/0219738 A1 *	8/2012	Boukobza	.....	B65D 1/0223
				428/35.7

\* cited by examiner

*Primary Examiner* — Catherine Tuttle

(74) *Attorney, Agent, or Firm* — Whiteford, Taylor & Preston, LLP; Peter J. Davis

(57) **CLAIM**

The ornamental design for a bottle, as shown and described.

**DESCRIPTION**

FIG. 1 is an elevation view showing our new design for a bottle at 45° rotation from the other elevation views;

FIG. 2 is a back elevation view thereof;

FIG. 3 is a right side elevation view thereof;

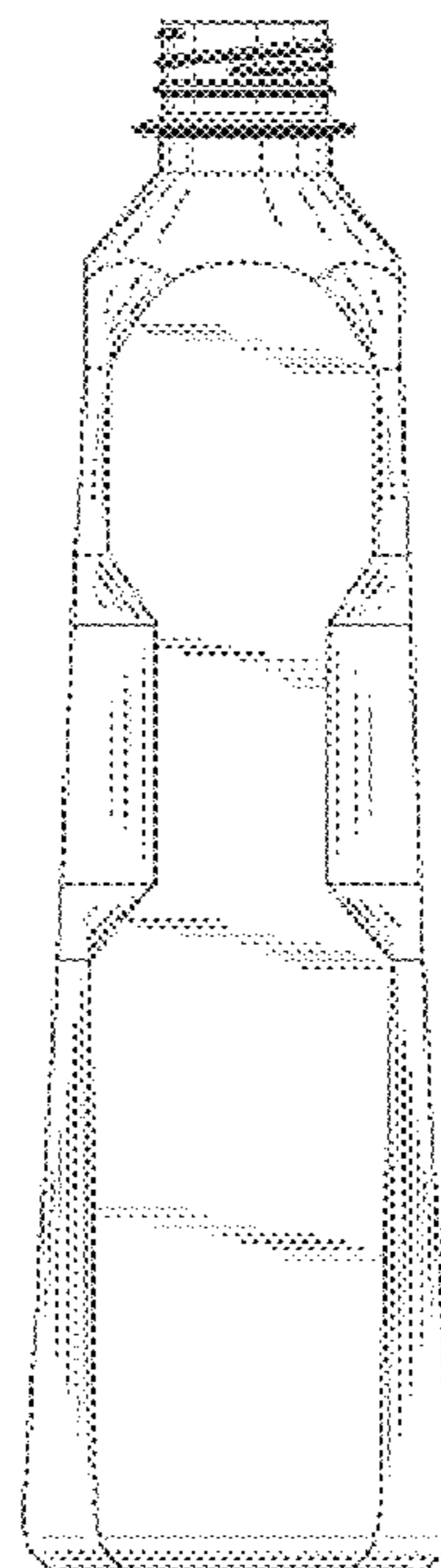
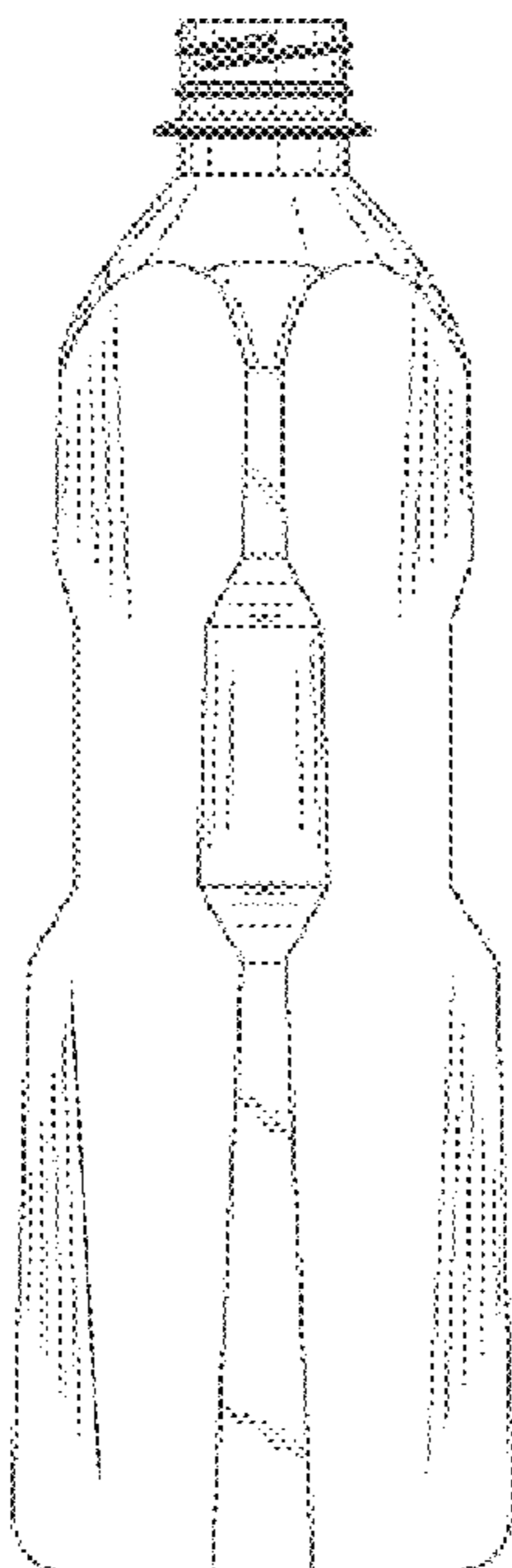
FIG. 4 is a top plan view thereof;

FIG. 5 is a bottom plan view thereof; and,

FIG. 6 is a front elevation view thereof.

The broken lines are included for the purpose of illustrating the portions of the bottle that form no part of the claimed design.

**1 Claim, 4 Drawing Sheets**



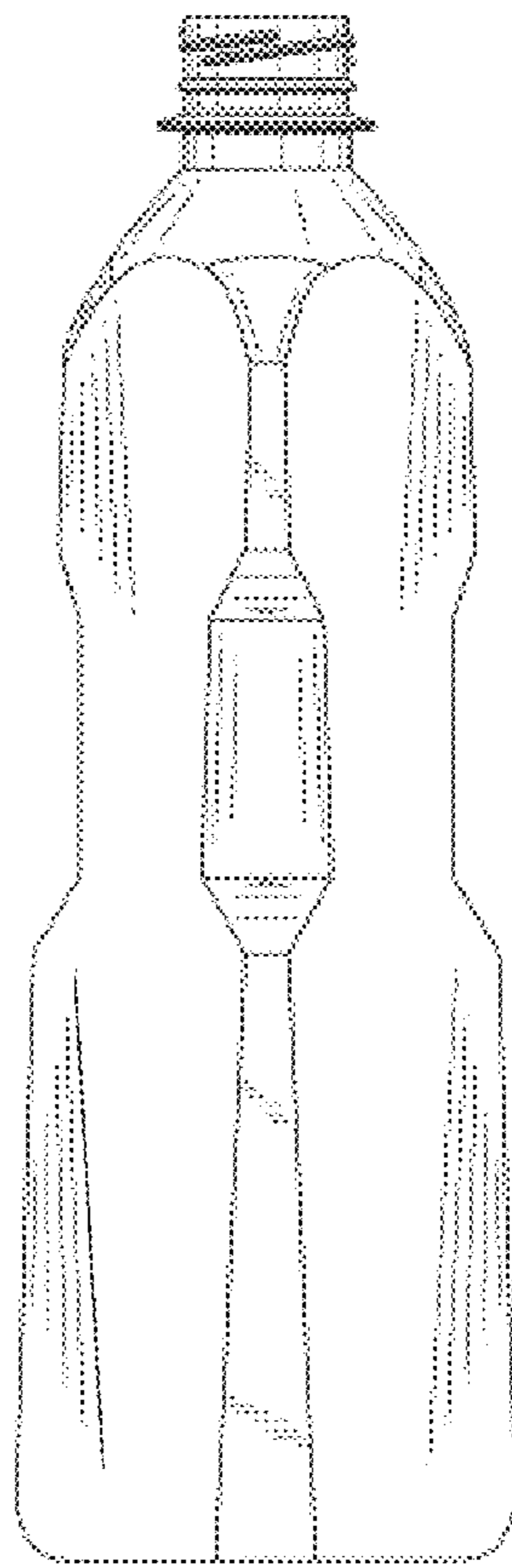


FIG. 1

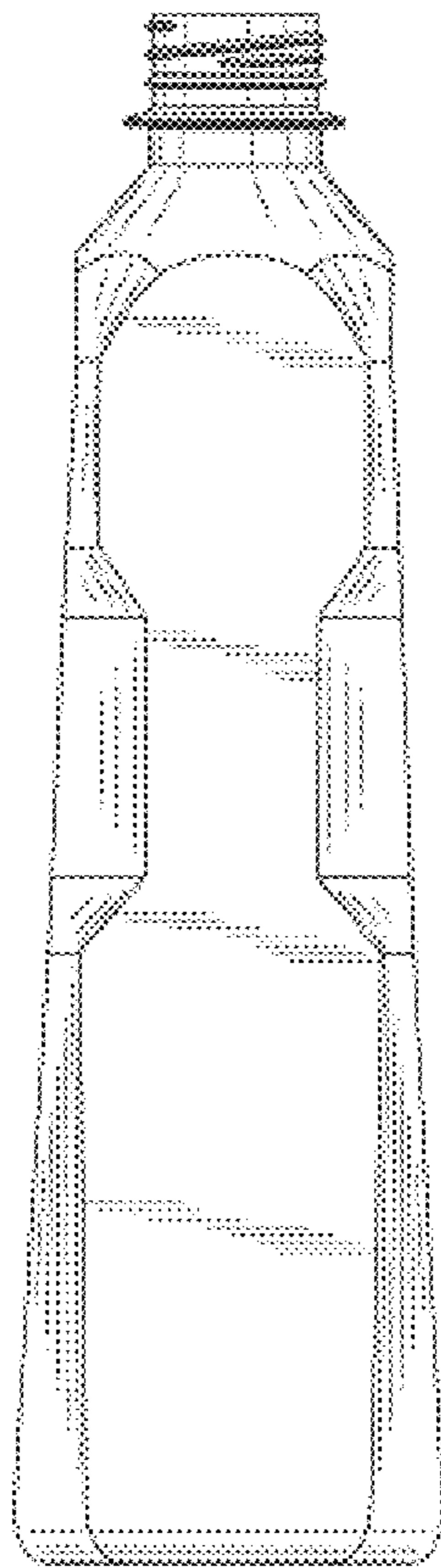


FIG. 2

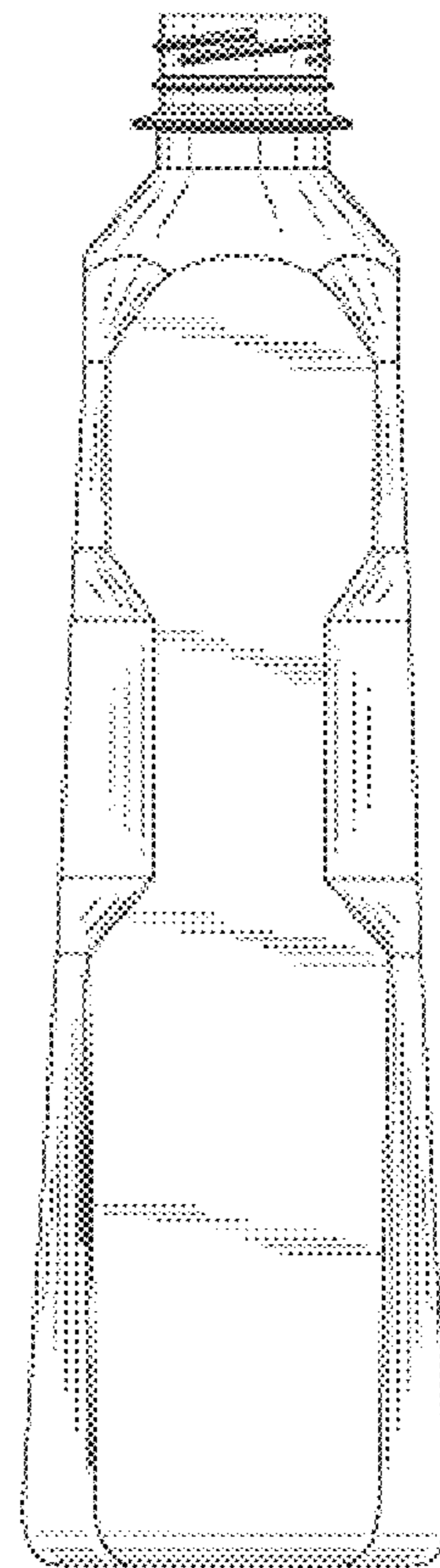


FIG. 3

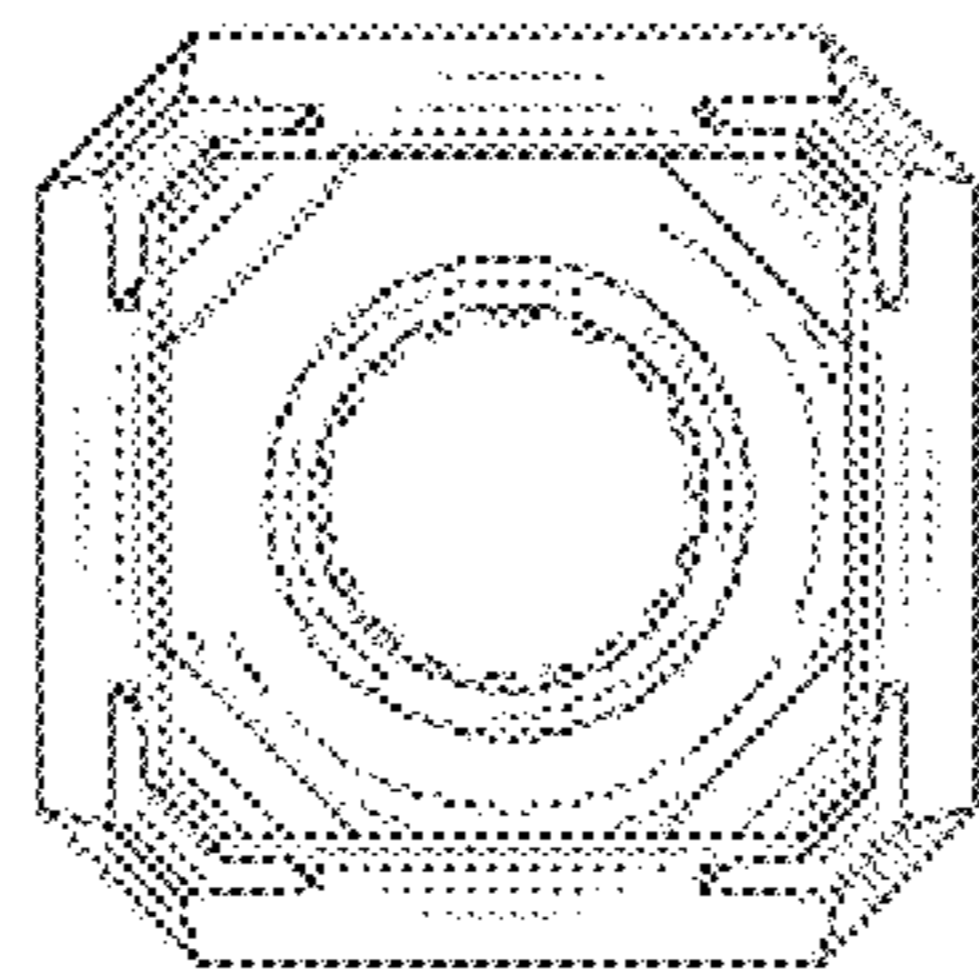


FIG. 4

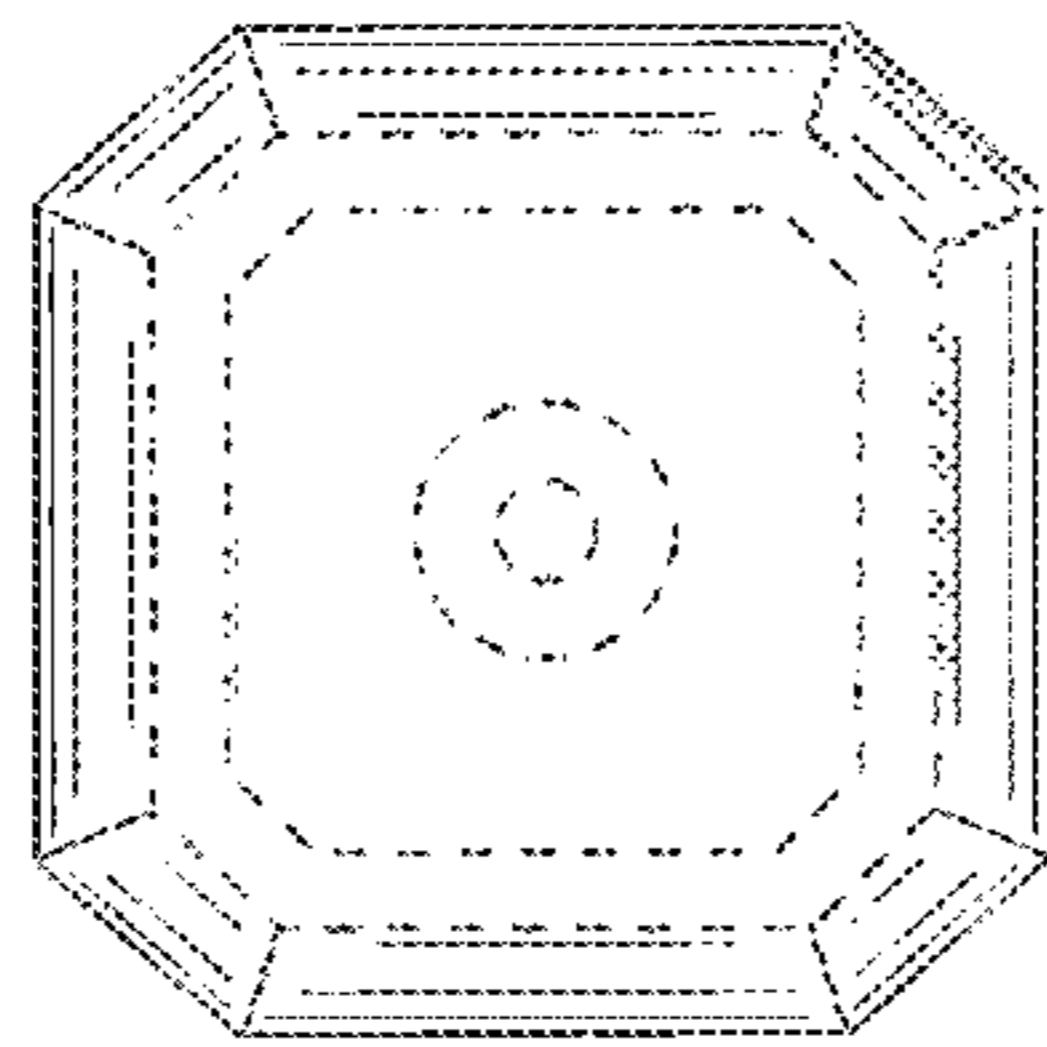


FIG. 5

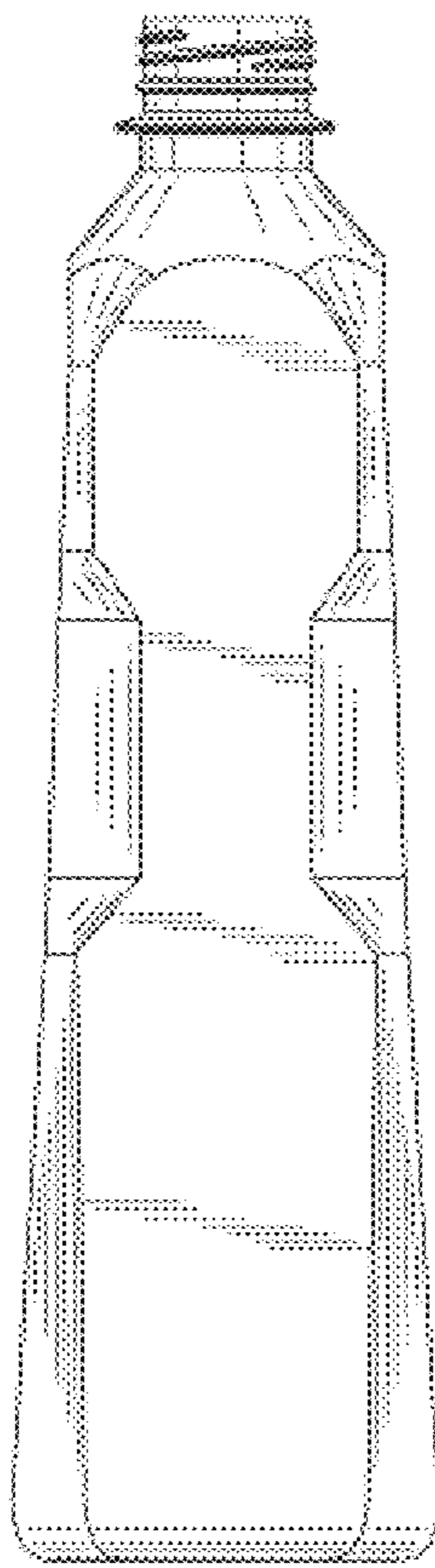


FIG. 6