



US00D808272S

(12) **United States Design Patent** (10) **Patent No.:** **US D808,272 S**
Thompson et al. (45) **Date of Patent:** **** Jan. 23, 2018**

(54) **BOTTLE**
(71) Applicant: **Piramal Glass—USA, Inc.**, Dayton, NJ (US)

D238,143 S * 12/1975 Bay D9/500
D240,291 S * 6/1976 Page' D9/531
D254,596 S 4/1980 Spigelman
D270,429 S 9/1983 Anderson et al.
D273,368 S 4/1984 Hayes
(Continued)

(72) Inventors: **Douglas Thompson**, Fort Lee, NJ (US);
Gautam Savkar, Princeton, NJ (US)

FOREIGN PATENT DOCUMENTS

(73) Assignee: **PIRAMAL GLASS—USA, INC.**

CN 301370278 10/2010
CN 302708301 1/2014

(**) Term: **15 Years**

(Continued)

(21) Appl. No.: **29/562,336**

OTHER PUBLICATIONS

(22) Filed: **Apr. 25, 2016**

Beer City Glass Mini Clear Howler, announced Sep. 2014, [online], site visited Mar. 20, 2017. Available from Internet, <URL: <http://www.beercityglass.com>>.*

(51) **LOC (11) Cl.** **09-01**

(52) **U.S. Cl.**
USPC **D9/536**

(Continued)

(58) **Field of Classification Search**
USPC D9/516, 522, 530, 531, 534, 536, 537,
D9/539, 544, 549, 551, 558; 215/248,
215/307, 379, 381–385, 902; 220/660,
220/662, 669, 675
CPC B29L 2031/7158; B65D 1/0207; B65D
1/0223; B65D 1/023; B65D 13/02; B65D
2501/0081
See application file for complete search history.

Primary Examiner — Derrick Holland
Assistant Examiner — Janice Patyk
(74) *Attorney, Agent, or Firm* — The Belles Group, P.C.

(57) **CLAIM**

The ornamental design for a bottle, as shown and described.

DESCRIPTION

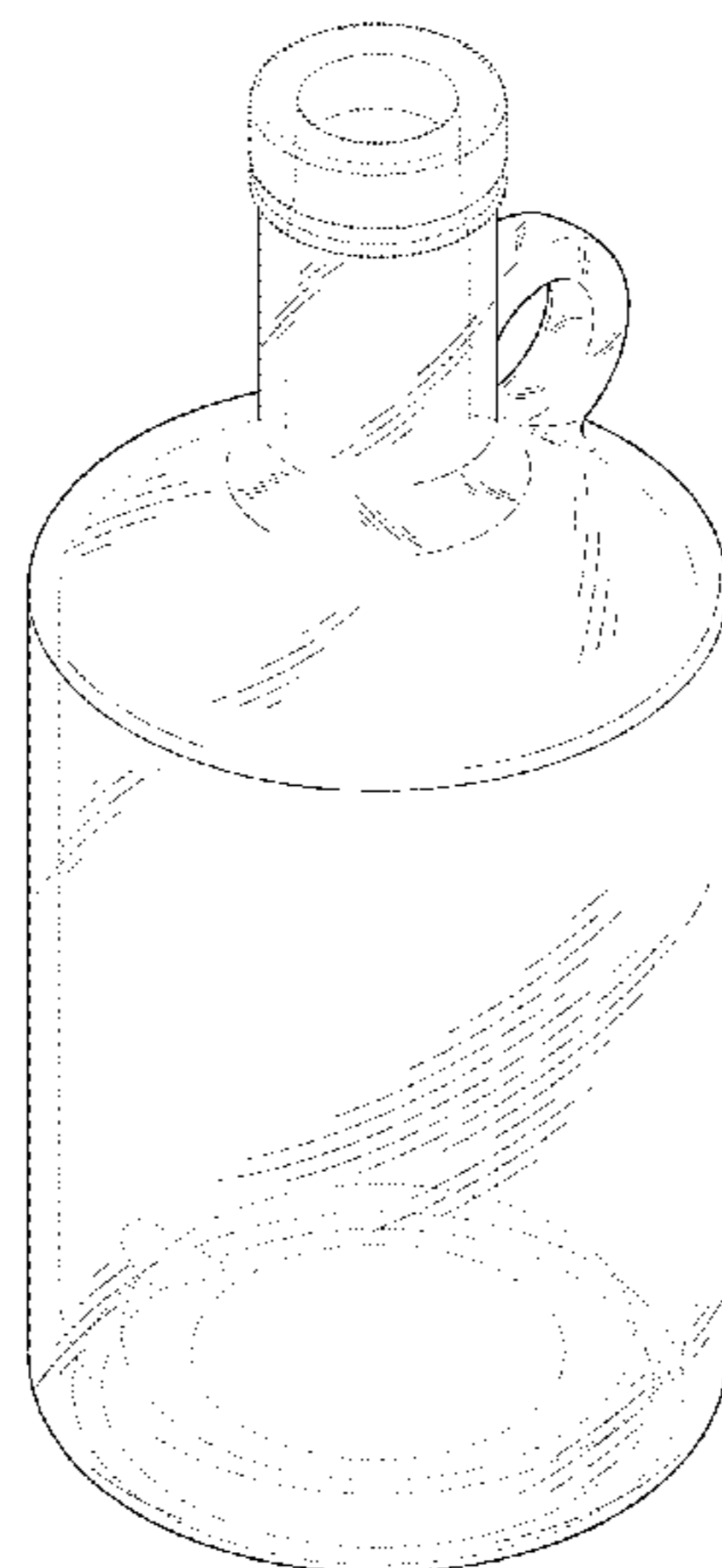
(56) **References Cited**

U.S. PATENT DOCUMENTS

1,791,787 A * 2/1931 Barroll B65D 1/023
215/398
1,814,659 A 7/1931 Barroll
D99,492 S * 4/1936 Keightley D9/530
D104,657 S * 5/1937 Fuerst et al. D9/536
2,307,390 A 1/1943 Chew
D190,835 S * 7/1961 Fuerst D9/536
3,086,671 A 4/1963 Zaleski
3,397,724 A * 8/1968 Bolen B65D 1/0223
215/371
3,589,542 A 6/1971 Dillon
D235,971 S * 7/1975 Visola D9/500

FIG. 1 is a perspective view of a bottle showing our new design;
FIG. 2 is a front elevation view thereof;
FIG. 3 is a rear elevation view thereof;
FIG. 4 is a right side elevation view thereof;
FIG. 5 is a left side elevation view thereof;
FIG. 6 is a top plan view thereof; and,
FIG. 7 is a bottom plan view thereof.
The broken line portions are included to show unclaimed subject matter only, including the interior surface of the bottle, and form no part of the claimed design.

1 Claim, 6 Drawing Sheets



(56)

References Cited

OTHER PUBLICATIONS

U.S. PATENT DOCUMENTS

D314,142 S * 1/1991 Briggs D9/550
5,086,937 A 2/1992 Robinson
D403,968 S 1/1999 DeVore
D442,091 S 5/2001 Ogg et al.
7,228,982 B2 6/2007 Nielson
D635,856 S 4/2011 Lauret
D643,300 S 8/2011 Beckerman
D673,050 S 12/2012 Pennington, IV et al.
D676,328 S 2/2013 Yourist
D687,306 S 8/2013 Fleischhacker et al.
D699,118 S 2/2014 Yourist
D727,737 S 4/2015 Damashek
D732,395 S 6/2015 Christian
D740,123 S 10/2015 Tremblay

FOREIGN PATENT DOCUMENTS

CN 302795431 4/2014
CN 302862998 7/2014
CN 303305558 7/2015
WO D079487-001 1/2012

750ml Flint (Clear) Moonshine Round Spirits Glass Bottle—21.
5mm Neck Diameter, <http://www.bottlestore.com/bottles-containers/glass-containers/glass-bottles/750ml-flint-clear-moonshine-round-spirits-glass-bottle-21-5mm-neck-diameter.html>, Searched for on Feb. 11, 2016.
Hebei Cangzhou New Century Foreign Trade Co., Ltd., Wine jar, Unique wine bottle, Glass liquor bottle with handle, http://czxinshiji.en.alibaba.com/product/1248651480-50229103/HOT_SALE_Wine_Jar_Unique_wine_bottle_Glass_liquor_bottle_with_handle.html, search for on Feb. 11, 2016.

* cited by examiner

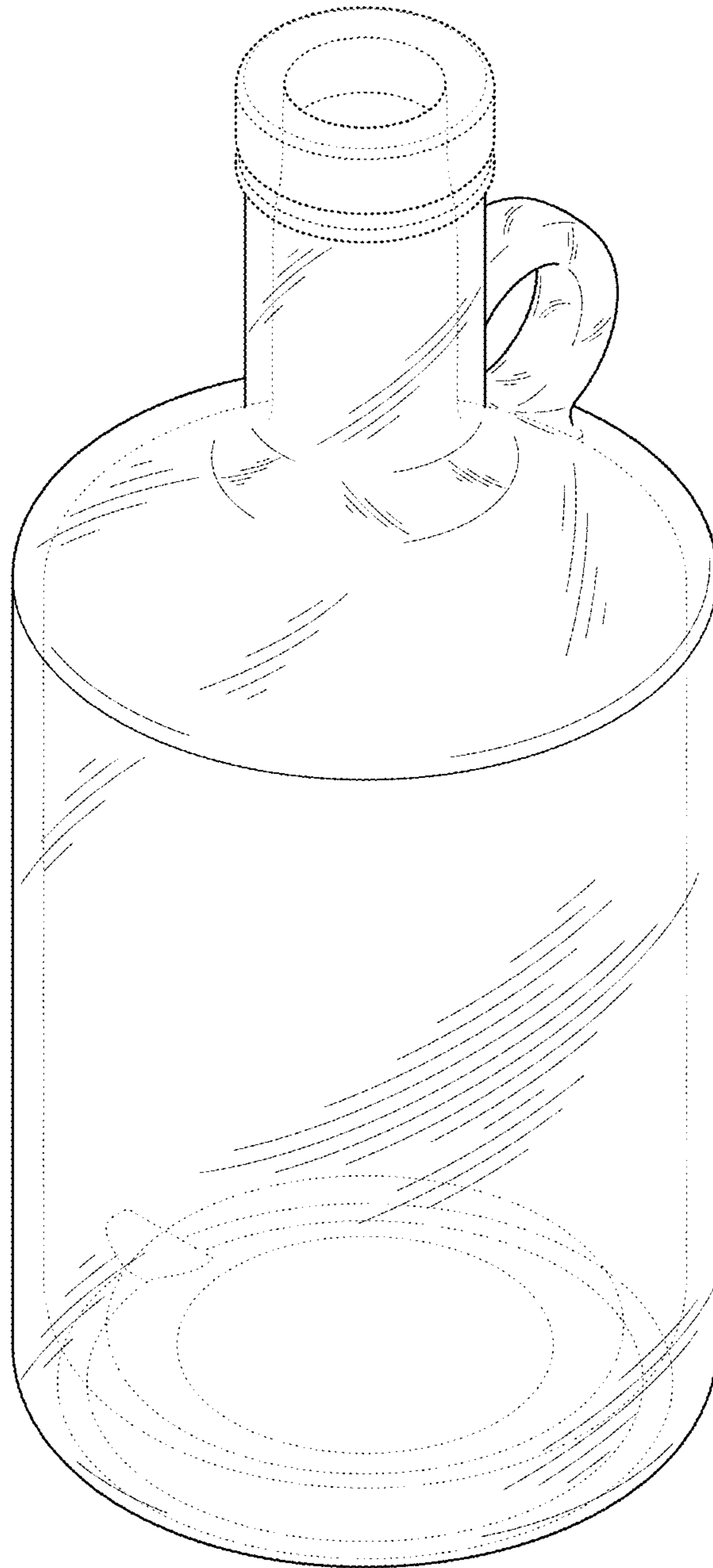


FIG. 1

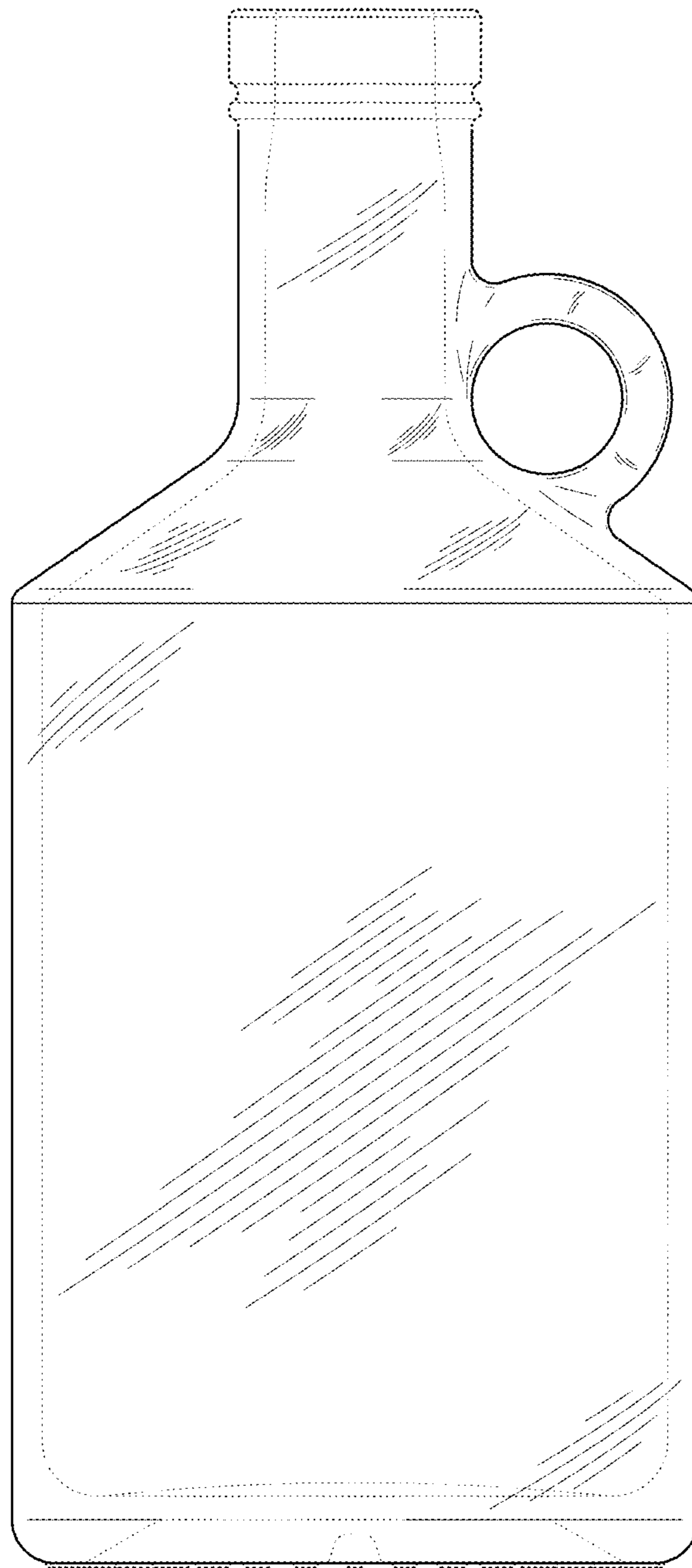


FIG. 2

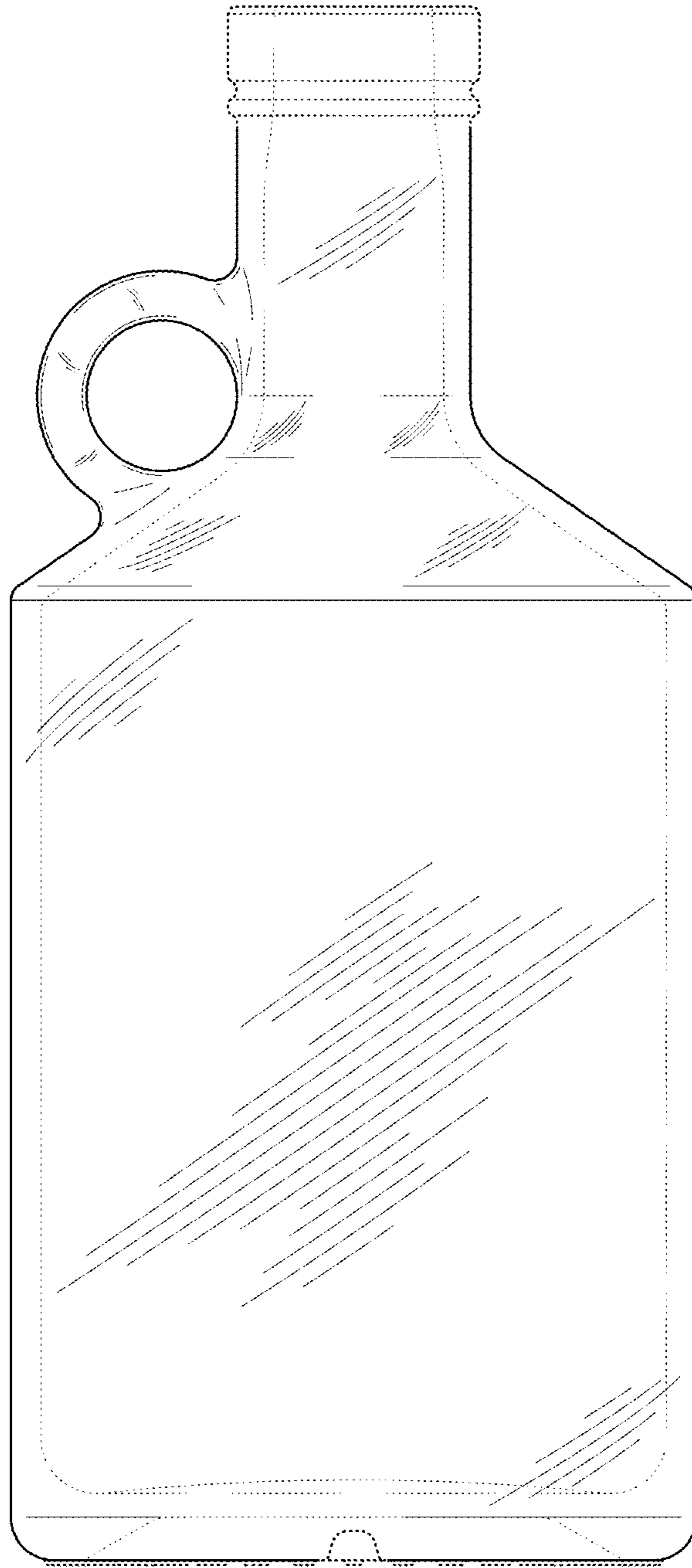


FIG. 3

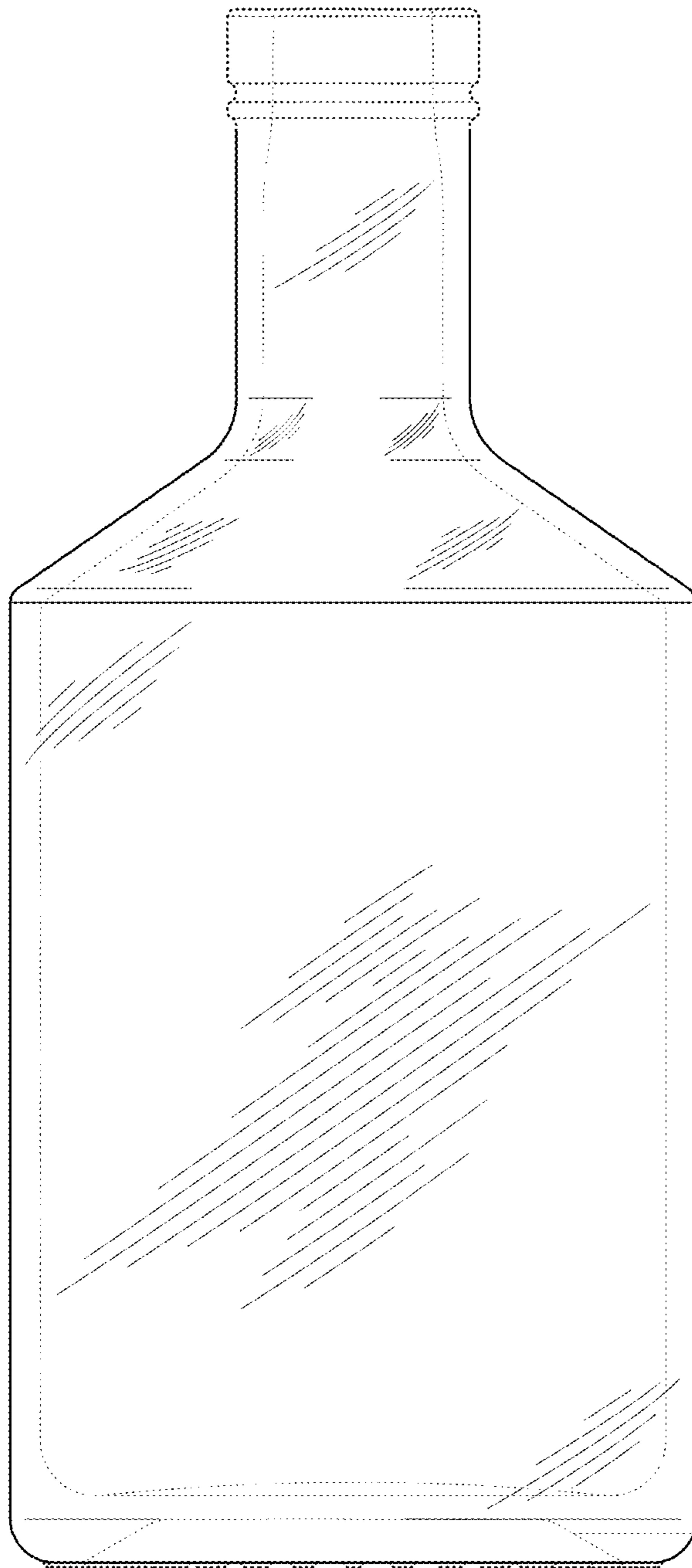


FIG. 4

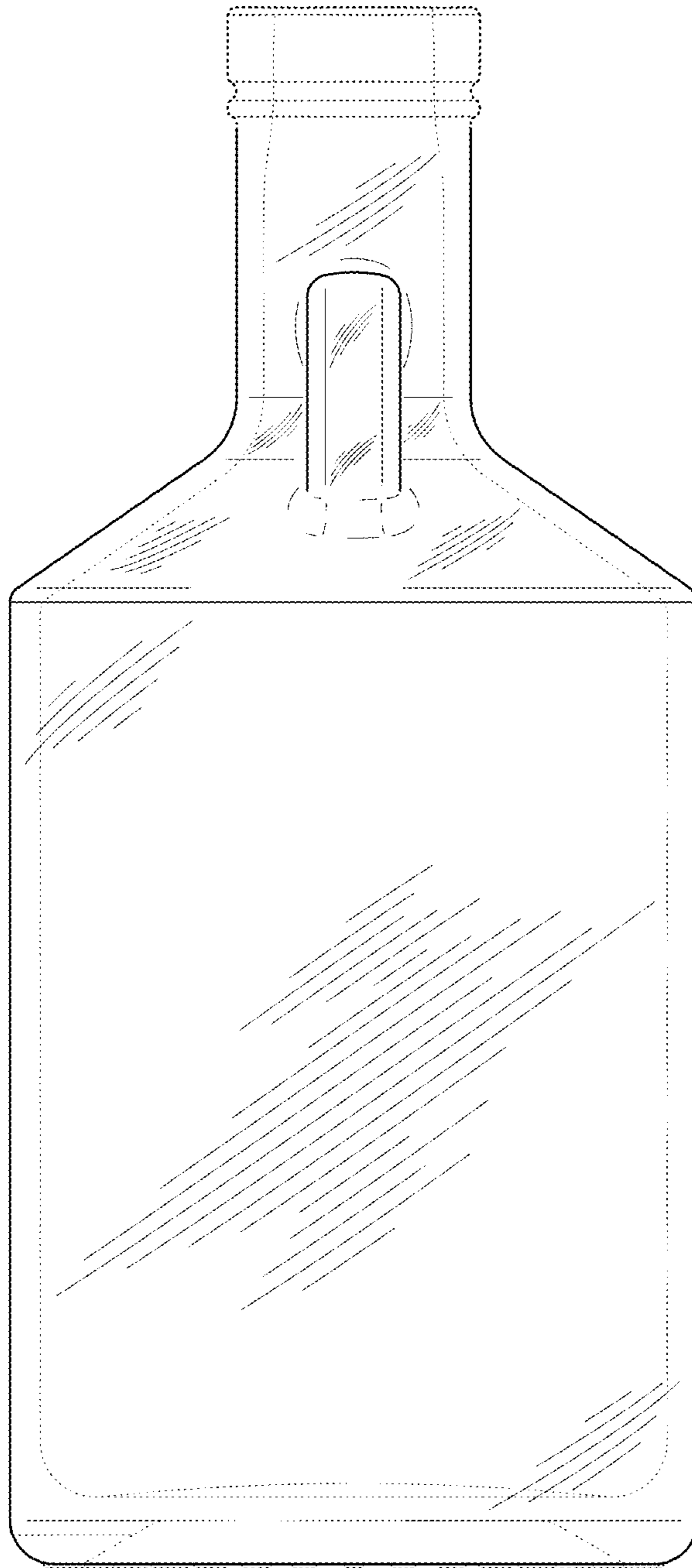


FIG. 5

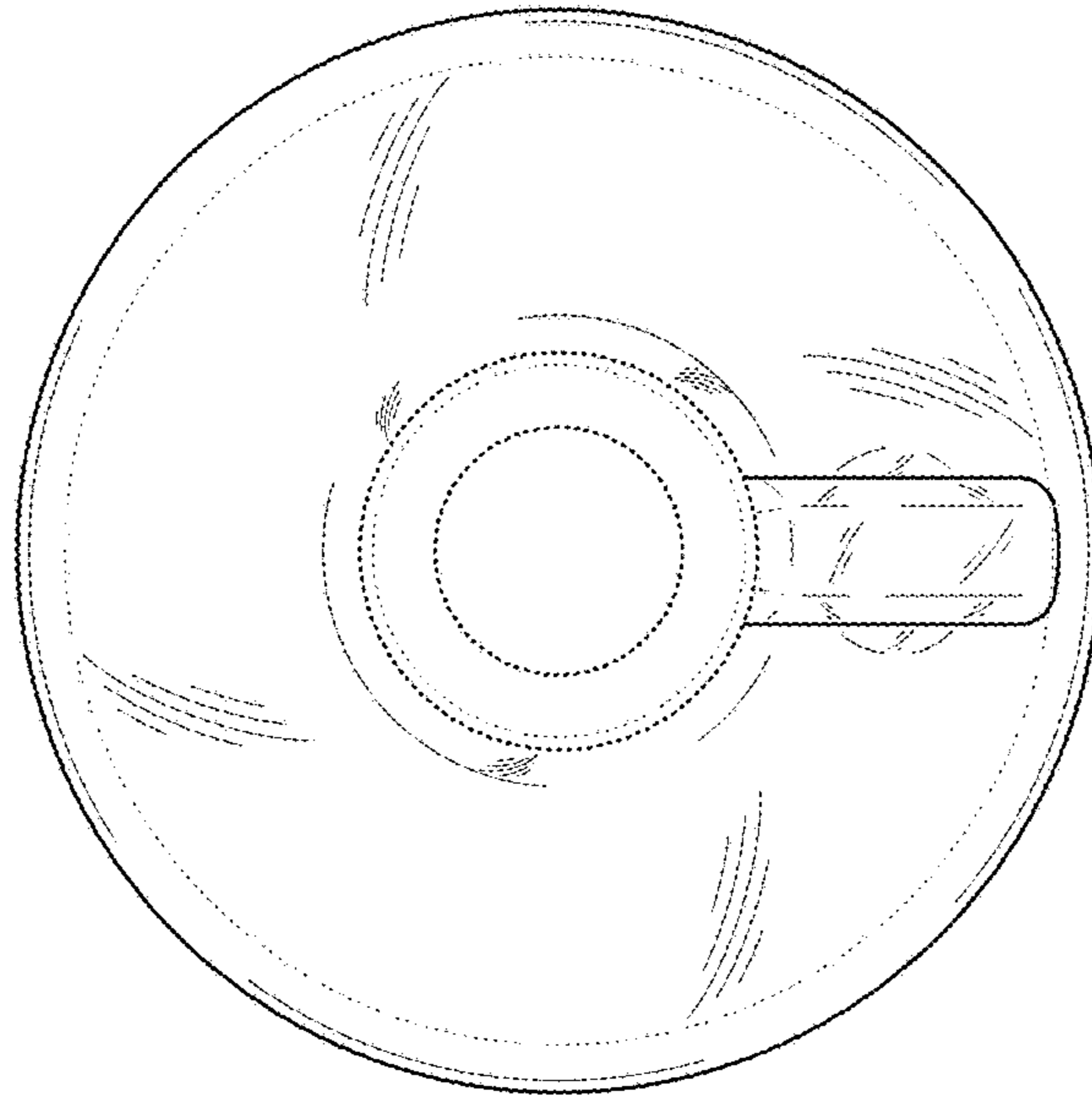


FIG. 6

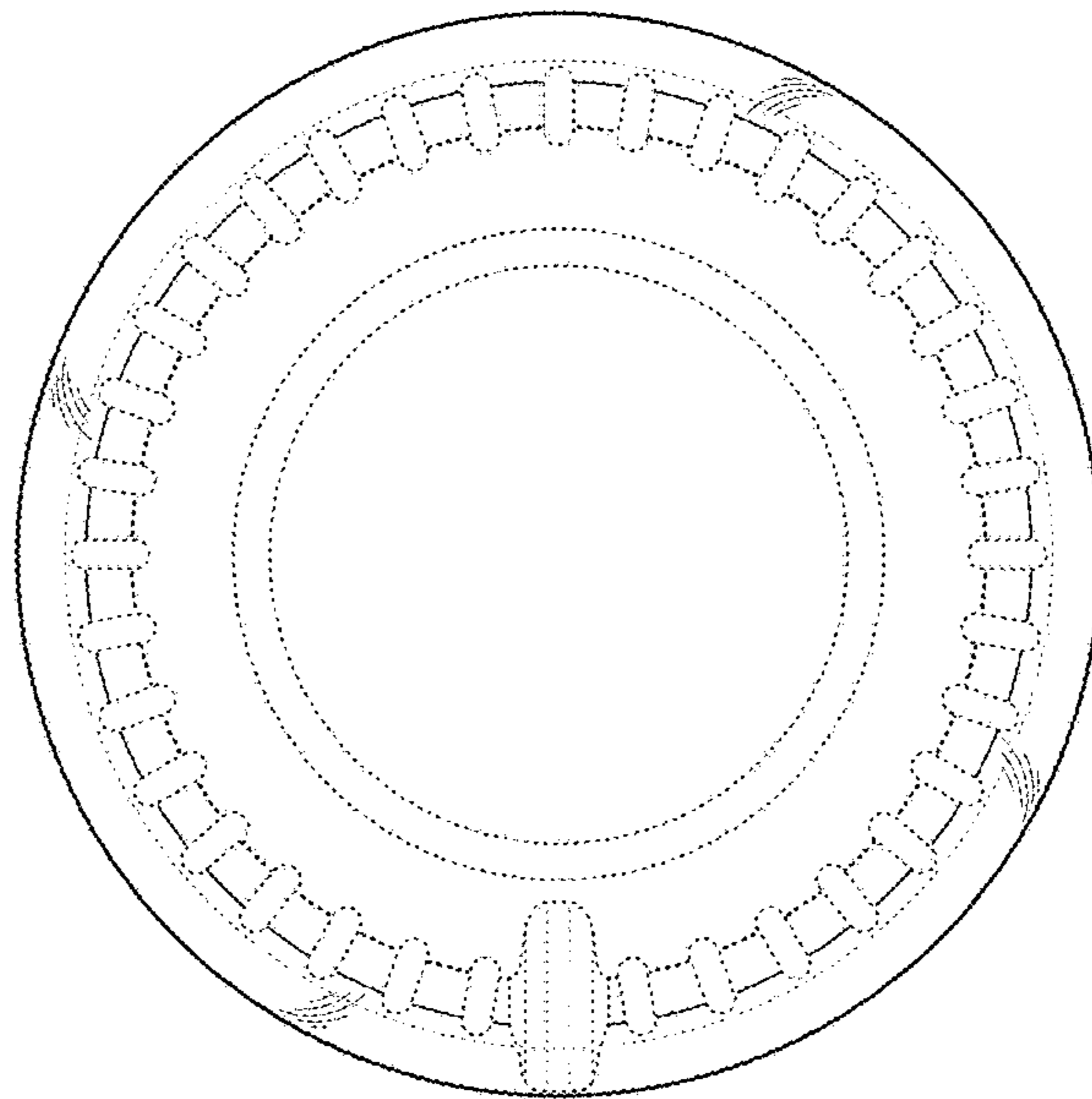


FIG. 7