



US00D808271S

(12) **United States Design Patent** (10) **Patent No.:** **US D808,271 S**
Weyer et al. (45) **Date of Patent:** **** Jan. 23, 2018**

(54) **GROWLER**
(71) Applicant: **Anheuser-Busch, LLC**, St. Louis, MO (US)
(72) Inventors: **Phil Weyer**, Houston, TX (US); **Kaysonnia Hunt**, St. Louis, MO (US); **Keenan Thompson**, St. Louis, MO (US); **Nancy L. Poole**, St. Louis, MO (US); **Robert M. Shanteau**, St. Albans, MO (US); **Steve Martin**, Ridgeville, IN (US)

3,397,724 A * 8/1968 Bolen B65D 1/0223
215/371
D235,971 S * 7/1975 Visola D9/500
D238,143 S * 12/1975 Bay D9/500
D240,291 S * 6/1976 Page D9/531
D314,142 S * 1/1991 Briggs D9/550
D608,650 S 1/2010 Eisen
D614,034 S 4/2010 Braun et al.
D626,420 S 11/2010 Mondon
D646,977 S 10/2011 Martin
D670,563 S 11/2012 De Baschmakoff et al.

(Continued)

(73) Assignee: **Anheuser-Busch, LLC**, St. Louis, MO (US)

Craft Beer Cellar Zero Gravity Conehead, announced Mar. 2014, [online], site visited May 11, 2017. Available from Internet, <URL: <http://www.insuranceguybeerblog.com>>.*

(Continued)

(**) Term: **15 Years**

(21) Appl. No.: **29/565,487**

Primary Examiner — Derrick Holland

Assistant Examiner — Janice Lim

(22) Filed: **May 20, 2016**

(74) *Attorney, Agent, or Firm* — Husch Blackwell LLP

(51) **LOC (11) Cl.** **09-01**

(52) **U.S. Cl.**

(57) **CLAIM**

USPC **D9/531**; D9/551

We claim the ornamental design for a growler, as shown and described.

(58) **Field of Classification Search**

DESCRIPTION

USPC D9/516, 522, 530, 531, 534, 536, 537, D9/539, 544, 549, 551, 558; 215/248, 215/307, 379, 381-385, 902; 220/660, 220/662, 669, 675

FIG. 1 is a front perspective view of a growler, showing our new design;

FIG. 2 is a front elevation view thereof;

FIG. 3 is a rear elevation view thereof;

FIG. 4 is a left side elevation view thereof;

FIG. 5 is a right elevation view thereof;

FIG. 6 is a top plan view thereof;

FIG. 7 is a bottom plan view thereof; and,

FIG. 8 is a cross-section view thereof, taken at lines 8-8 of FIG. 4.

The broken line portions show unclaimed subject matter only and form no part of the claimed design.

CPC B29L 2031/7158; B65D 1/0207; B65D 1/0223; B65D 1/023; B65D 13/02; B65D 2501/0081

See application file for complete search history.

(56) **References Cited**

U.S. PATENT DOCUMENTS

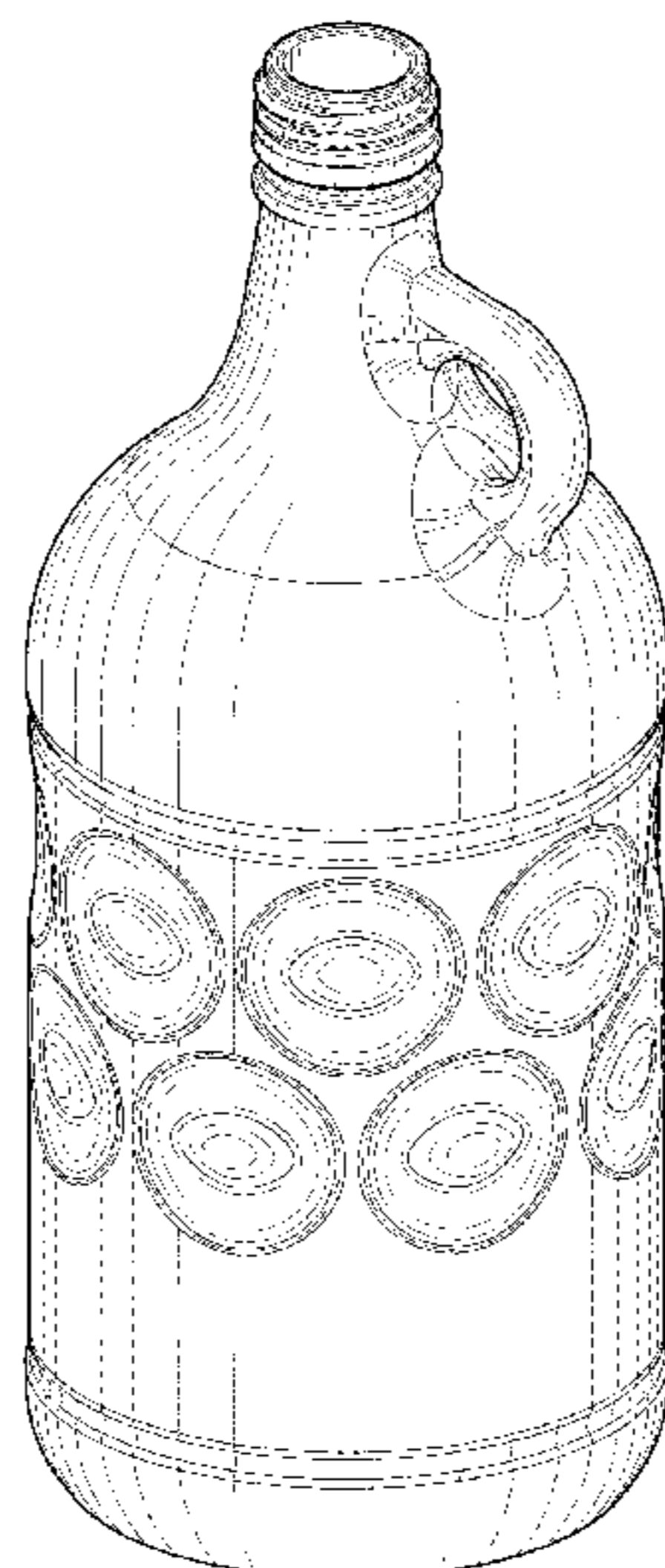
1,791,787 A * 2/1931 Barroll B65D 1/023
215/398

D99,492 S * 4/1936 Keightley D9/530

D104,657 S * 5/1937 Fuerst et al. D9/536

D190,835 S * 7/1961 Fuerst D9/536

1 Claim, 7 Drawing Sheets



(56)

References Cited

U.S. PATENT DOCUMENTS

D676,328 S 2/2013 Yourist
D699,118 S 2/2014 Yourist
D699,584 S 2/2014 Hall
D703,058 S 4/2014 Baschmakoff et al.
D703,546 S 4/2014 De Baschmakoff et al.
D707,560 S 6/2014 Wallace et al.

OTHER PUBLICATIONS

Kegworks, <https://www.amazon.com/Stolzle-Liter-Dimpled-Glass-Stein/dp/B0040HSK4M>, as early as Jan. 20, 2015.

Centre Vinicole Champagne Nicolas Feuillatte, Union De Cooperatives Agricoles , US Trademark Registration 4630653, filed Jan. 23, 2013.

Westenhorst GmbH & Co. KG , US Trademark Registration 4127289, filed Feb. 11, 2010.

Eckes-Granini Group GmbH, US Trademark Registration 4745735, filed Jun. 7, 2014.

The Coca-Cola Company, US Trademark Registration 4431252, filed Nov. 5, 2012.

The Coca-Cola Company, US Trademark Registration 1850007, filed Mar. 19, 1993.

MacDuff & Company Limited, US Trademark Registration 673680, filed Oct. 10, 1957.

* cited by examiner

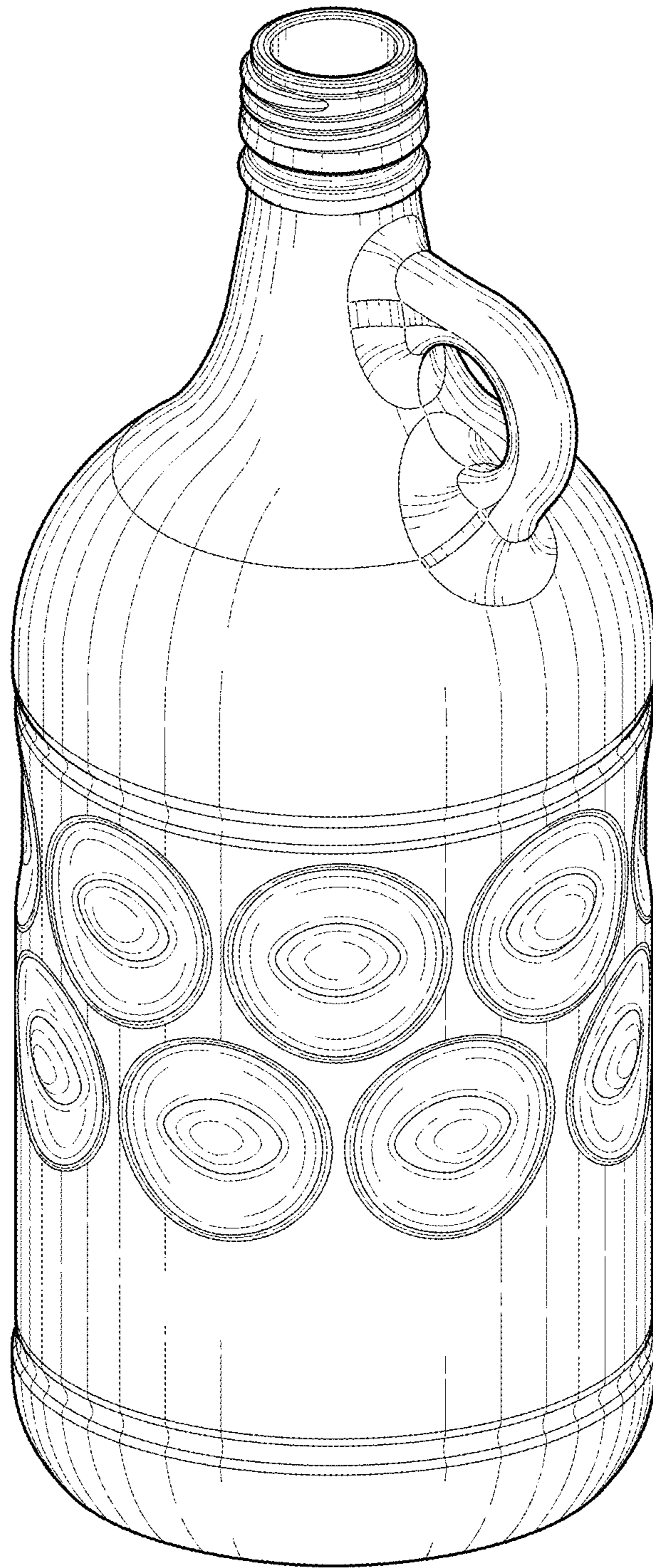


FIG. 1

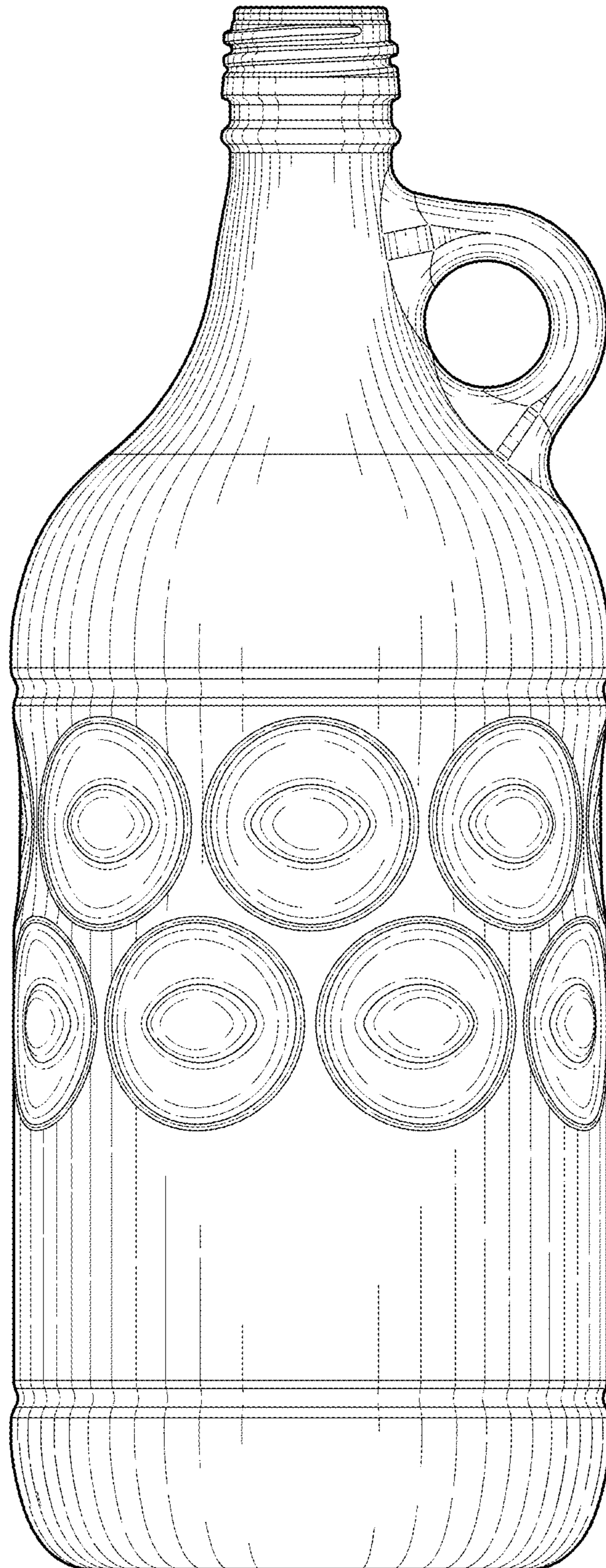


FIG. 2

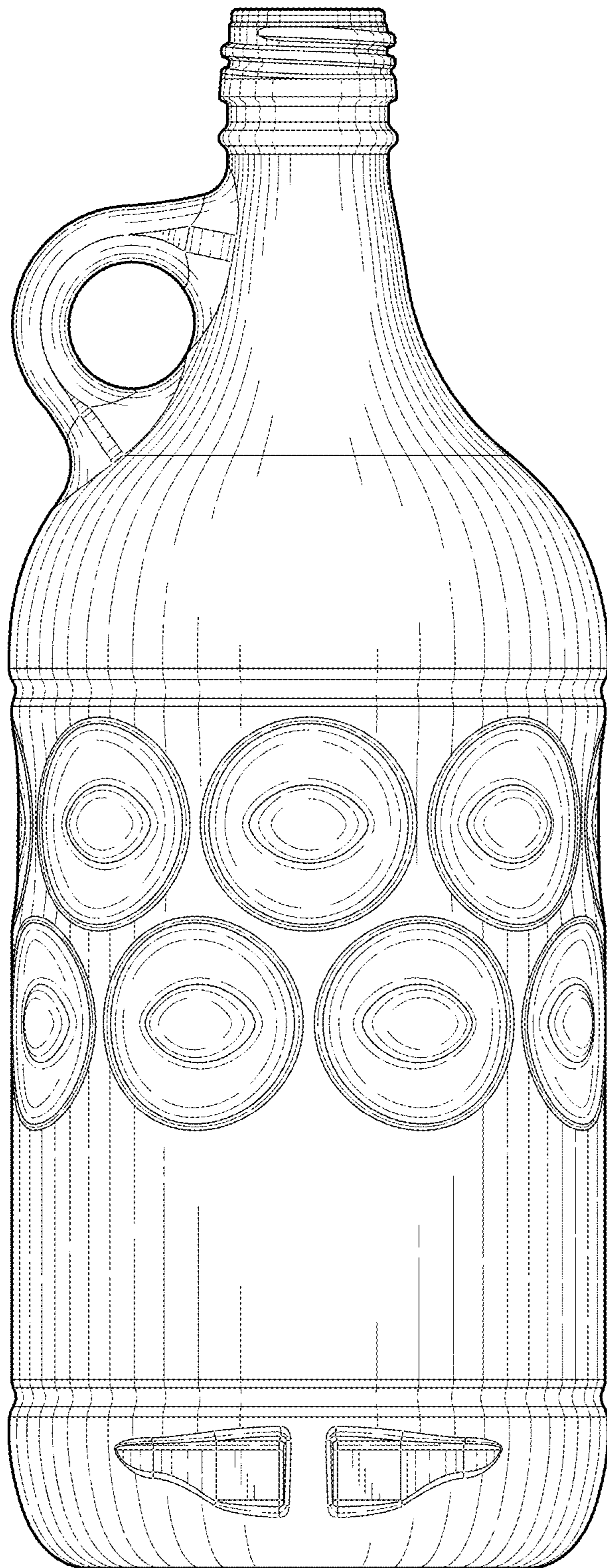


FIG. 3

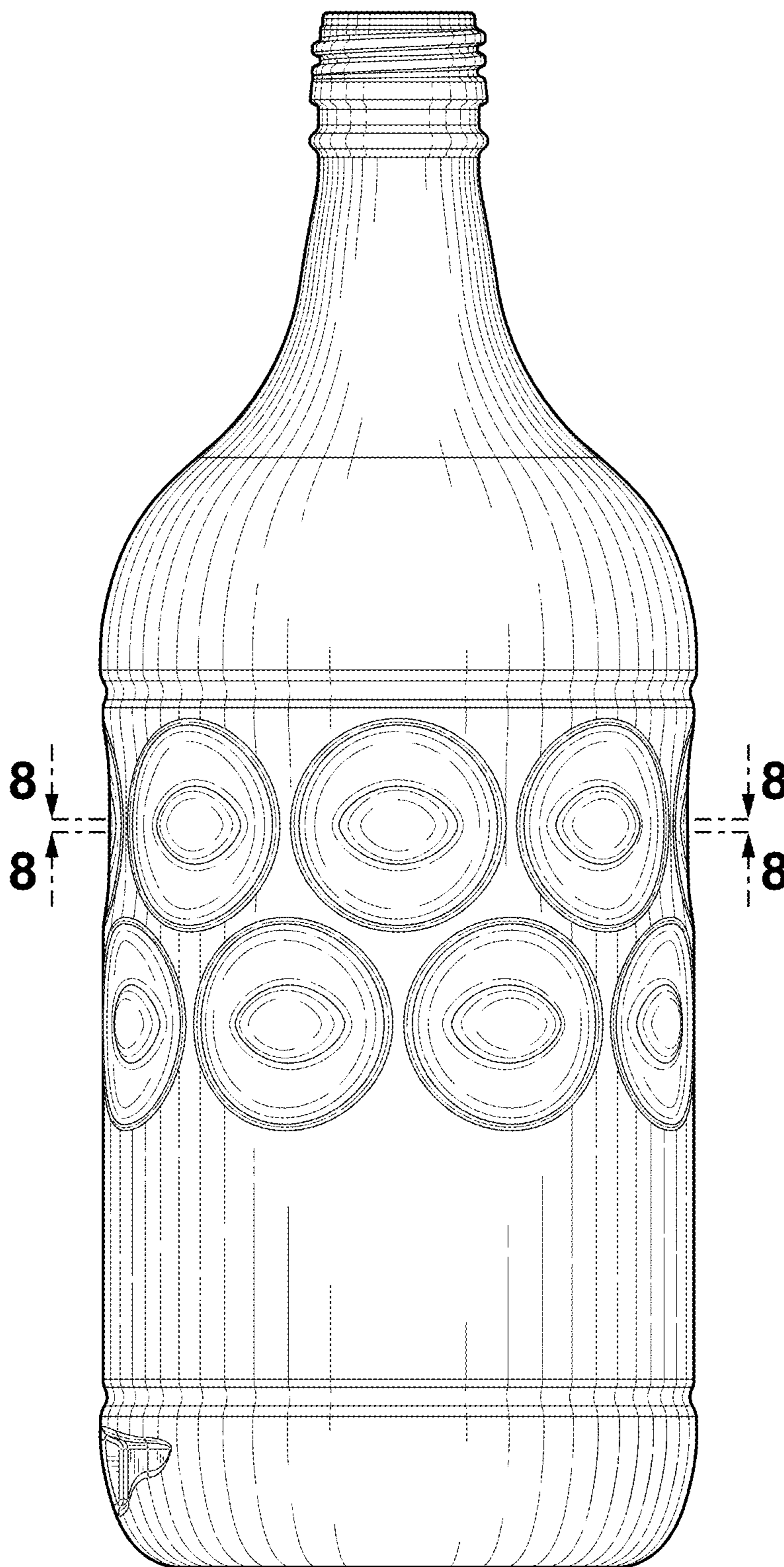


FIG. 4

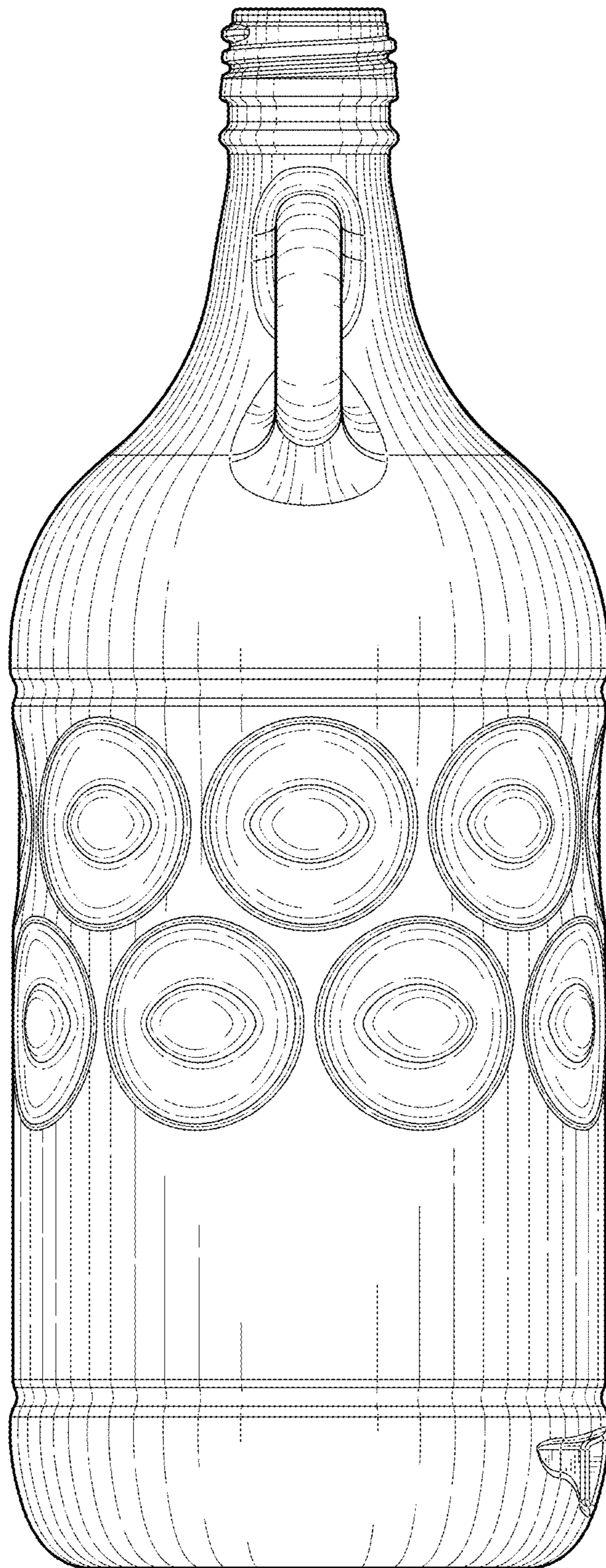


FIG. 5

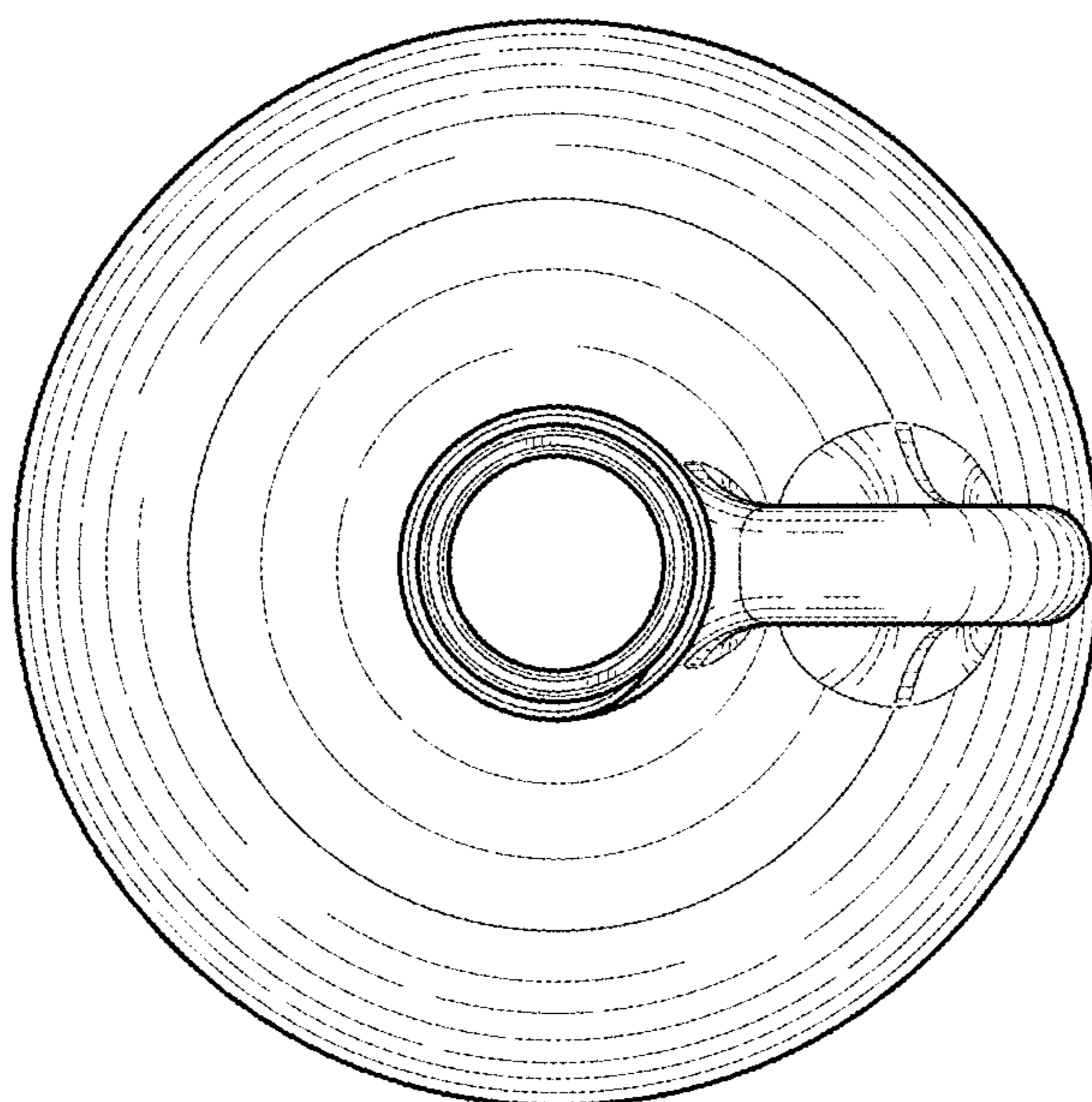


FIG. 6

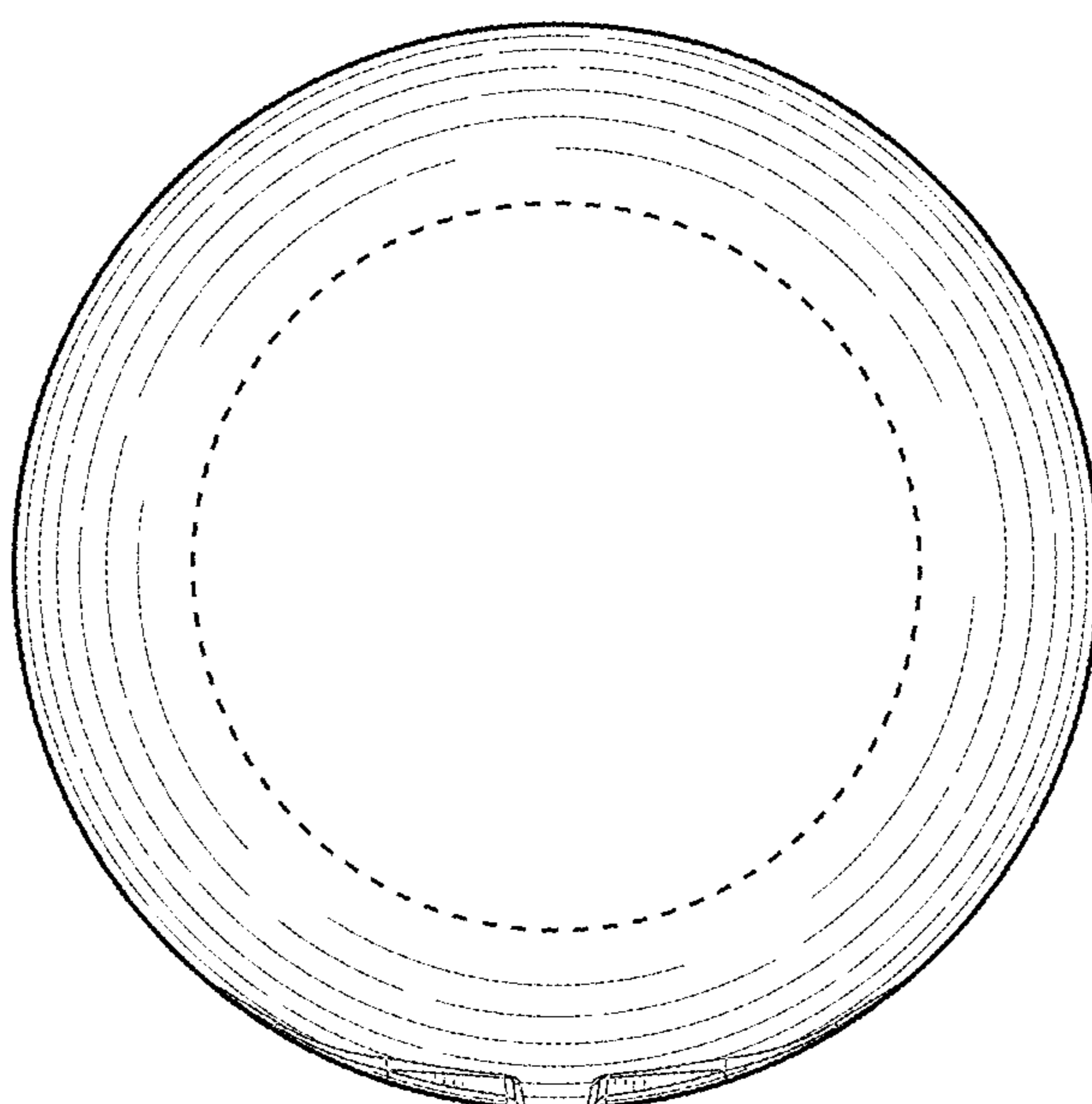


FIG. 7

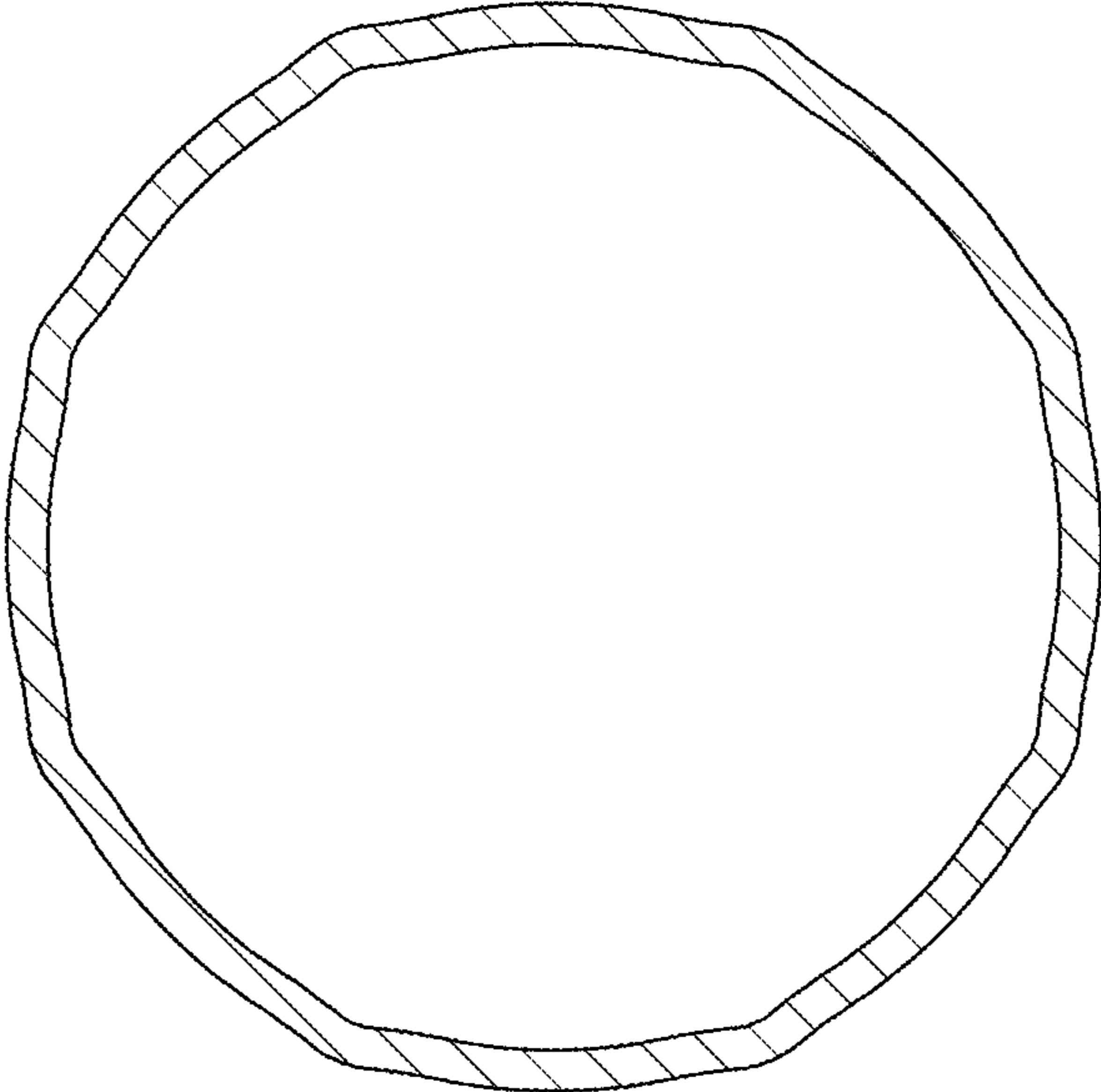


FIG. 8